



US00D964883S

(12) **United States Design Patent**
Lingua

(10) **Patent No.:** **US D964,883 S**

(45) **Date of Patent:** **** Sep. 27, 2022**

- (54) **LINK ASSEMBLY WITH FACETED STONE**
- (71) Applicant: **Jewelry IP, LLC**, New York, NY (US)
- (72) Inventor: **Patrizia Lingua**, Sant'Agata Fossili (IT)
- (73) Assignee: **Jewelry IP, LLC**, New York, NY (US)
- (**) Term: **15 Years**
- (21) Appl. No.: **29/703,376**
- (22) Filed: **Aug. 27, 2019**
- (51) **LOC (13) Cl.** **11-01**
- (52) **U.S. Cl.**
USPC **D11/93**; D11/91
- (58) **Field of Classification Search**
USPC D11/1, 29, 87, 88, 89, 90, 40, 34, 3, 6,
D11/86, 91, 92, 93, 12, 13, 16, 17
CPC . A44C 17/00-046; A44C 27/00; A44C 23/00;
A44C 17/02; A44C 5/02; A44C
5/10-107; A44C 11/00
See application file for complete search history.

(56) **References Cited**

U.S. PATENT DOCUMENTS

- D168,815 S * 2/1953 Wertheimer D11/93
- D333,108 S * 2/1993 Akselrod D11/89
- D379,074 S * 5/1997 Udko D11/91
- D639,693 S * 6/2011 Papadimitriou D11/40
- D716,686 S * 11/2014 Dobashi D11/91
- D723,410 S * 3/2015 Kwon D11/3
- D766,769 S * 9/2016 Polkovnikov D11/79
- D821,253 S * 6/2018 Faria D11/8
- D851,538 S * 6/2019 Saito D11/92
- D877,641 S * 3/2020 Vivat D11/16
- D883,129 S * 5/2020 Kwon D11/6

- D889,307 S * 7/2020 Vivat D11/16
- D890,624 S * 7/2020 Geller D11/93
- 2016/0316864 A1* 11/2016 Cluseau A44C 17/02

FOREIGN PATENT DOCUMENTS

- CN 303675926 * 5/2016

OTHER PUBLICATIONS

Stuller, Item #: 2000560:150:P, no date available, online, site visited Mar. 29, 2022. Retrieved from url:https://www.stuller.com/products/2000560/?groupId=205569&categoryId=25361&recommendationSource=CategoryBrowse (Year: 2022).*

* cited by examiner

Primary Examiner — Tracey J Bell

(74) *Attorney, Agent, or Firm* — Ferdinand IP, LLC

(57) **CLAIM**

The ornamental design for a link assembly with faceted stone, as shown and described.

DESCRIPTION

FIG. 1 is a top perspective view of the link portion of a link assembly with faceted stone according to the new design. The link portion has been shown in isolation in FIG. 1, with the faceted stone removed, for ease of illustration;

FIG. 2 is a top perspective view of a link assembly with faceted stone according to the new design, with both the setting portion and the faceted stone shown combined;

FIG. 3 is a front view thereof;

FIG. 4 is a rear view thereof;

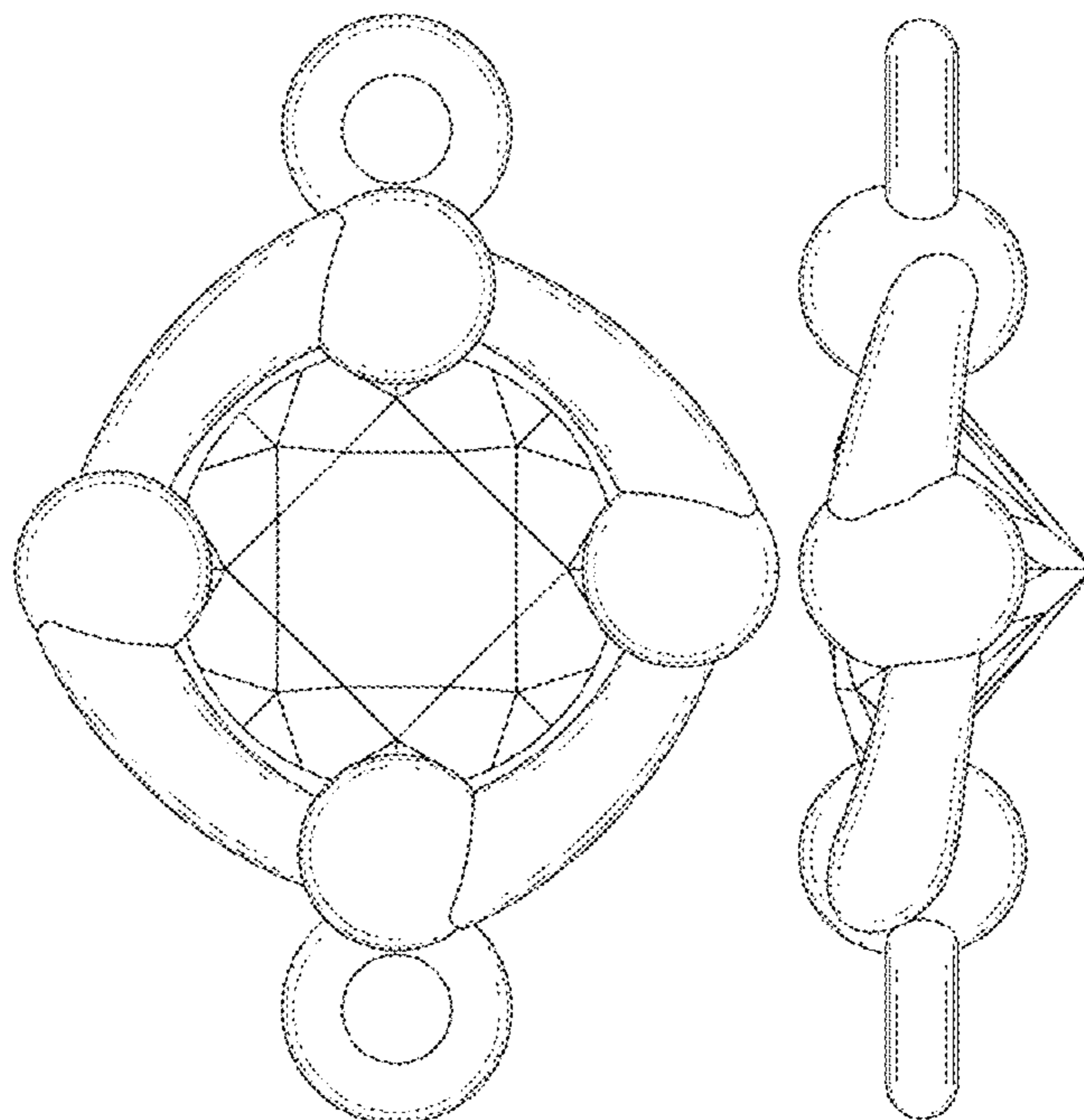
FIG. 5 is a right side view thereof;

FIG. 6 is a left side view thereof;

FIG. 7 is a top view thereof; and,

FIG. 8 is a bottom view thereof.

1 Claim, 8 Drawing Sheets



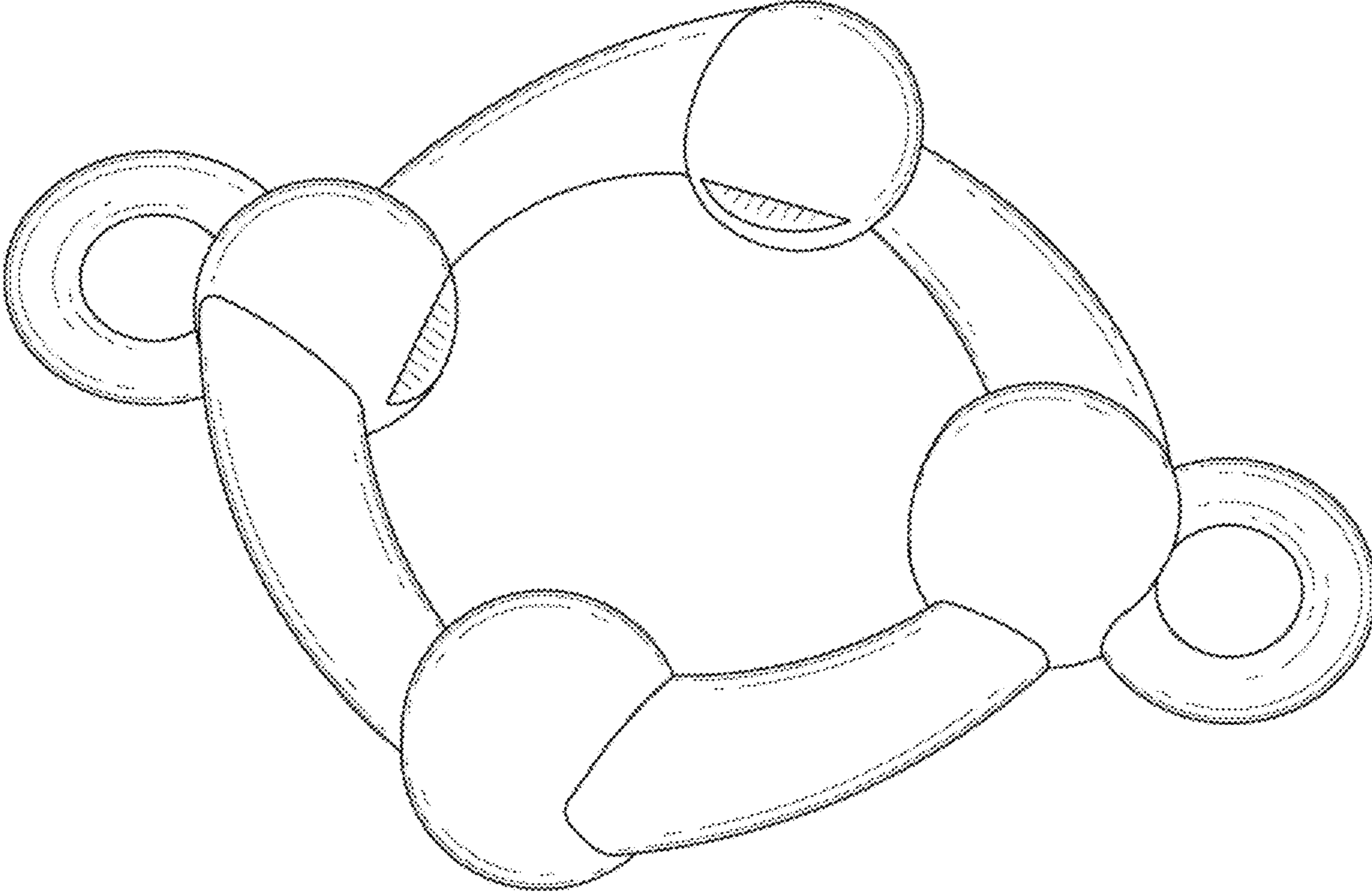


FIG. 1

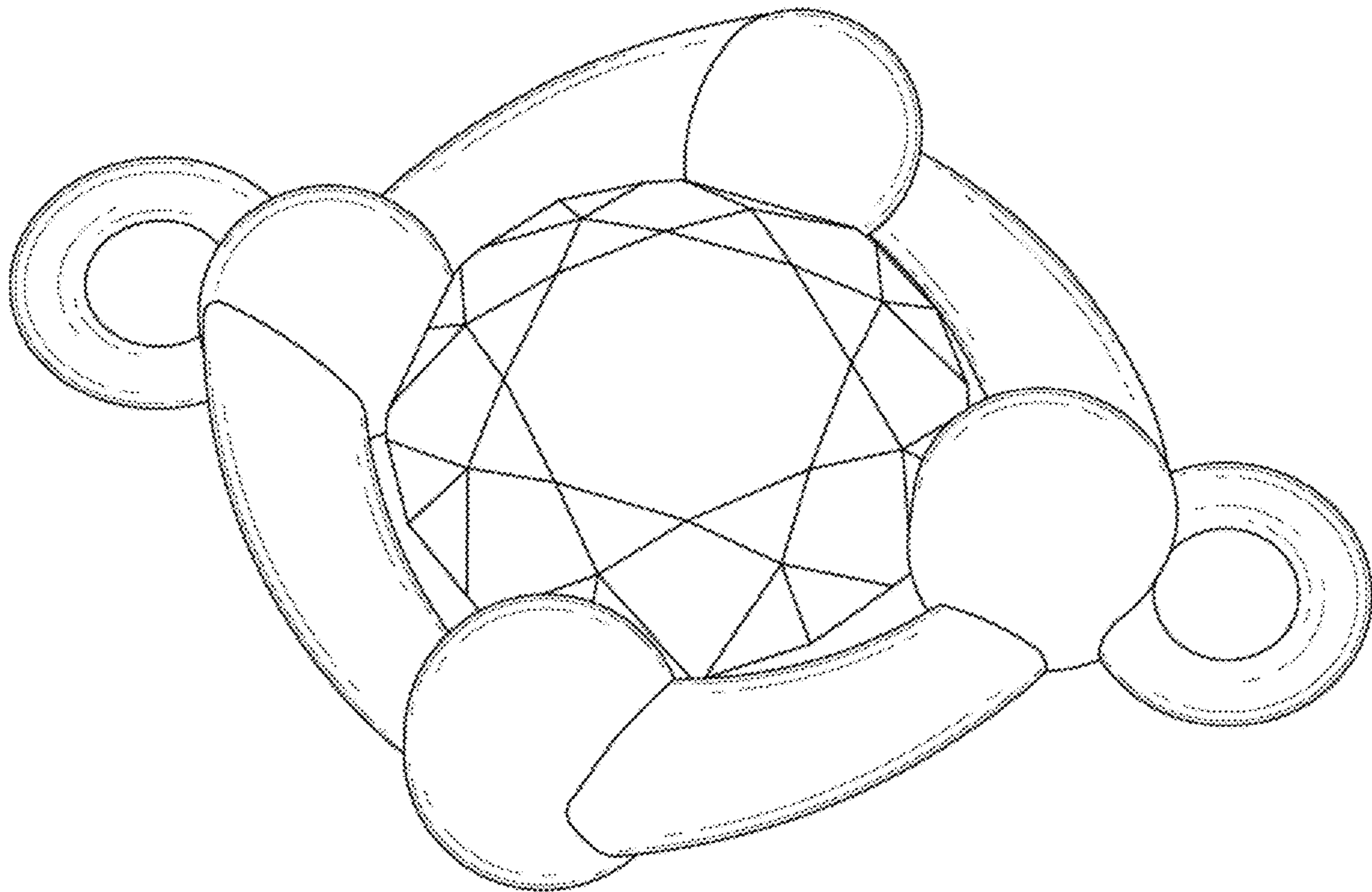


FIG. 2

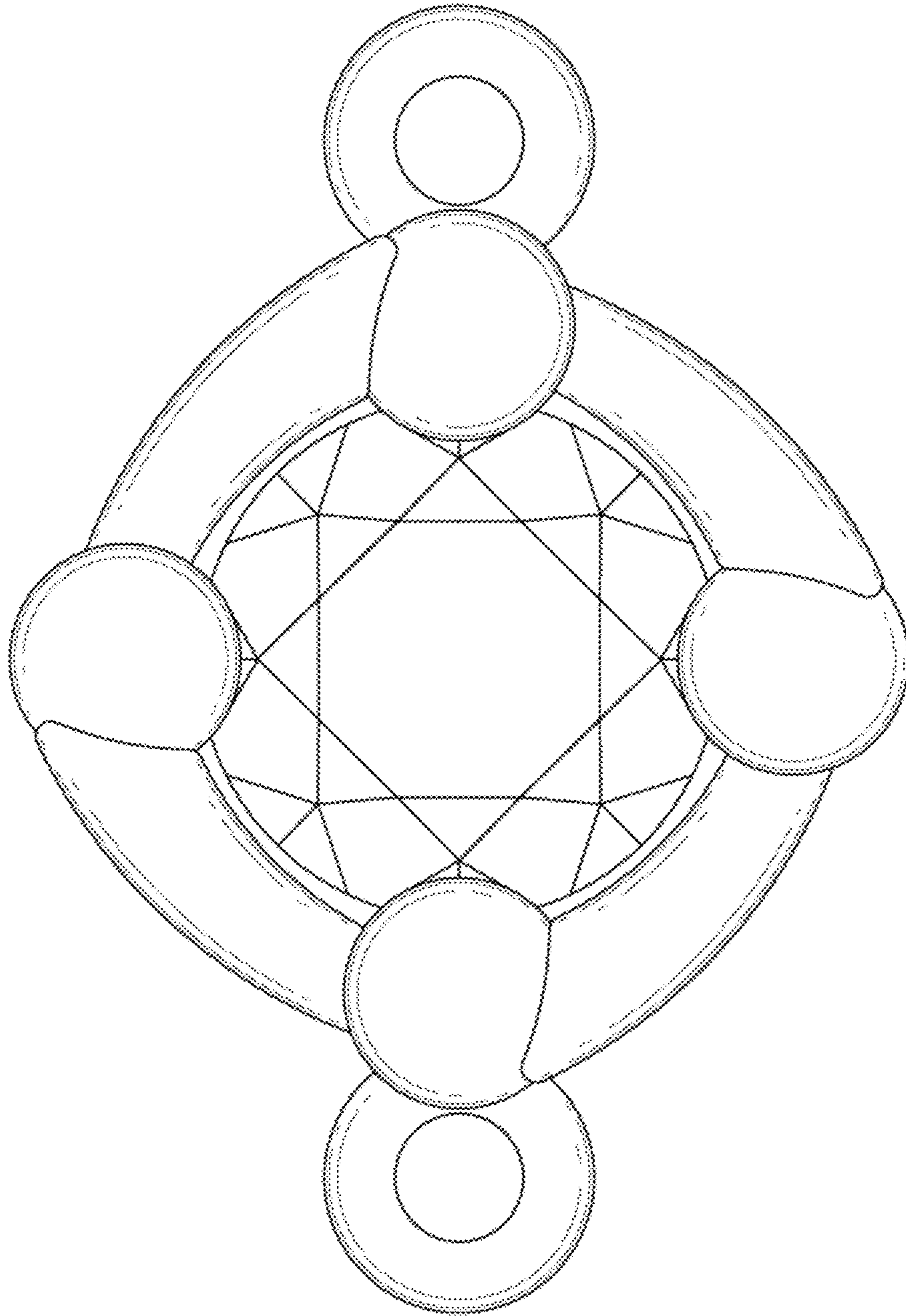


FIG. 3

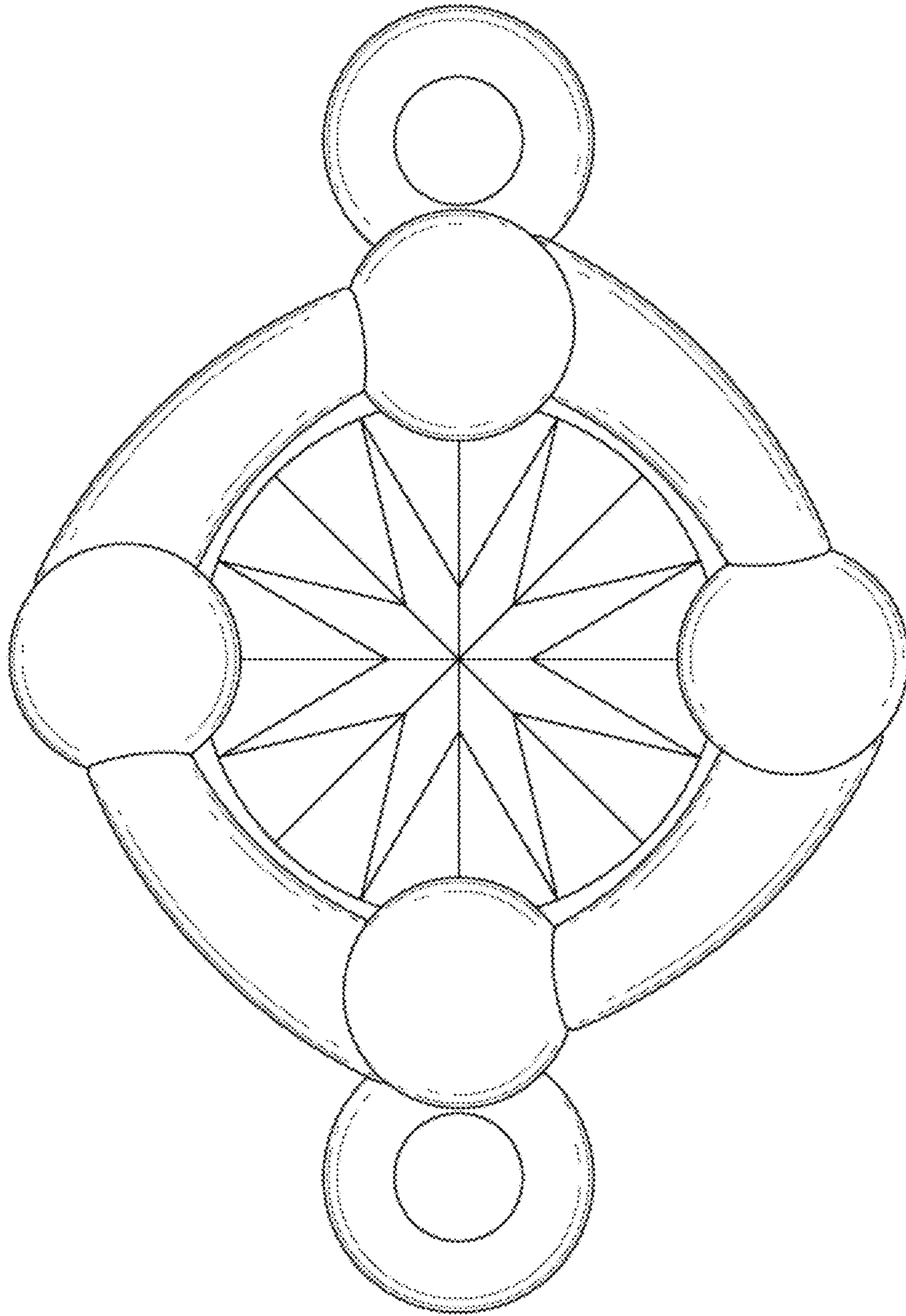


FIG. 4

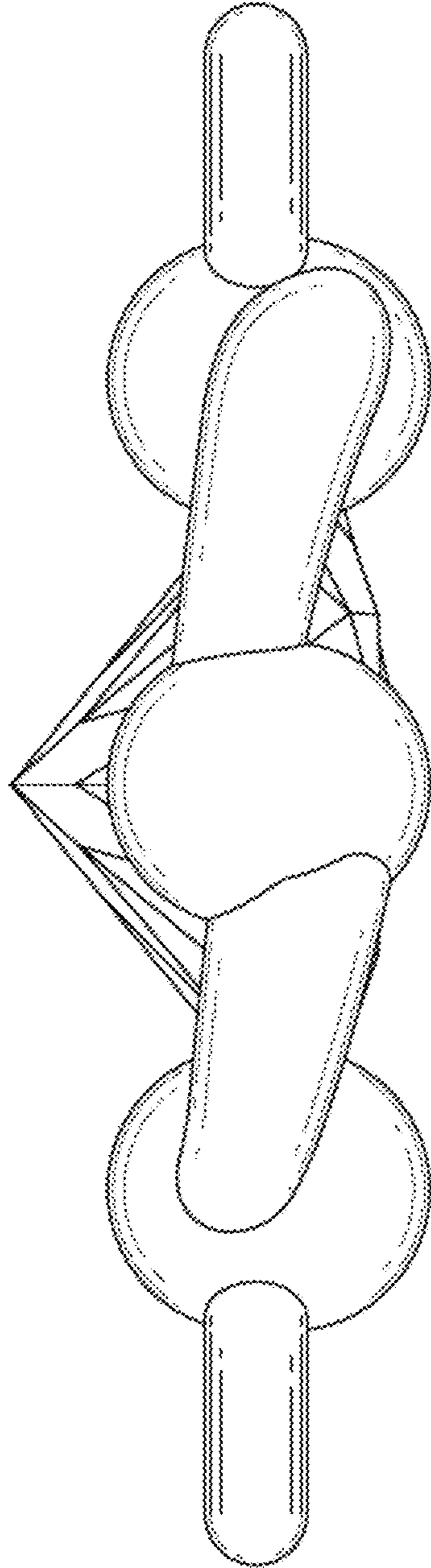


FIG. 5

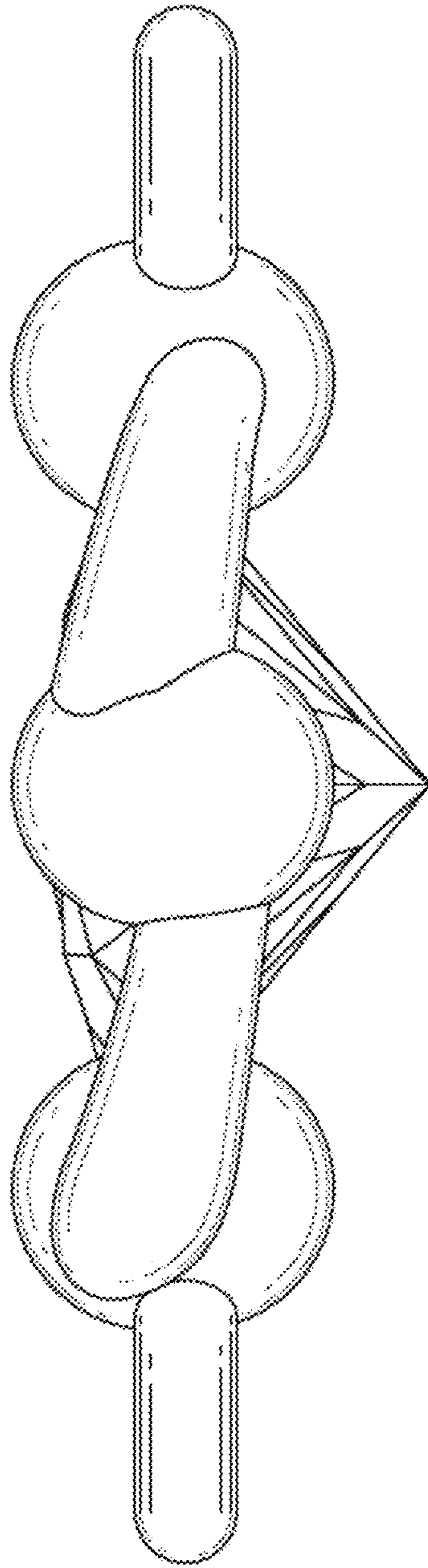


FIG. 6

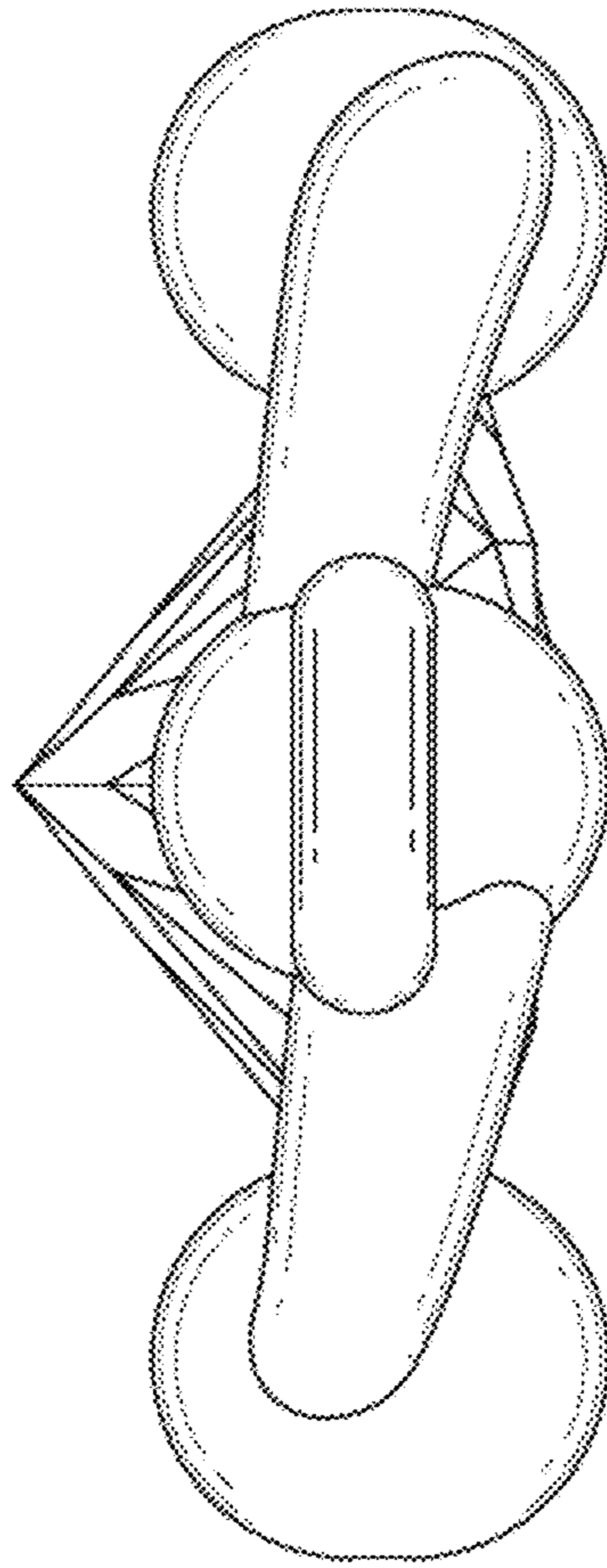


FIG. 7

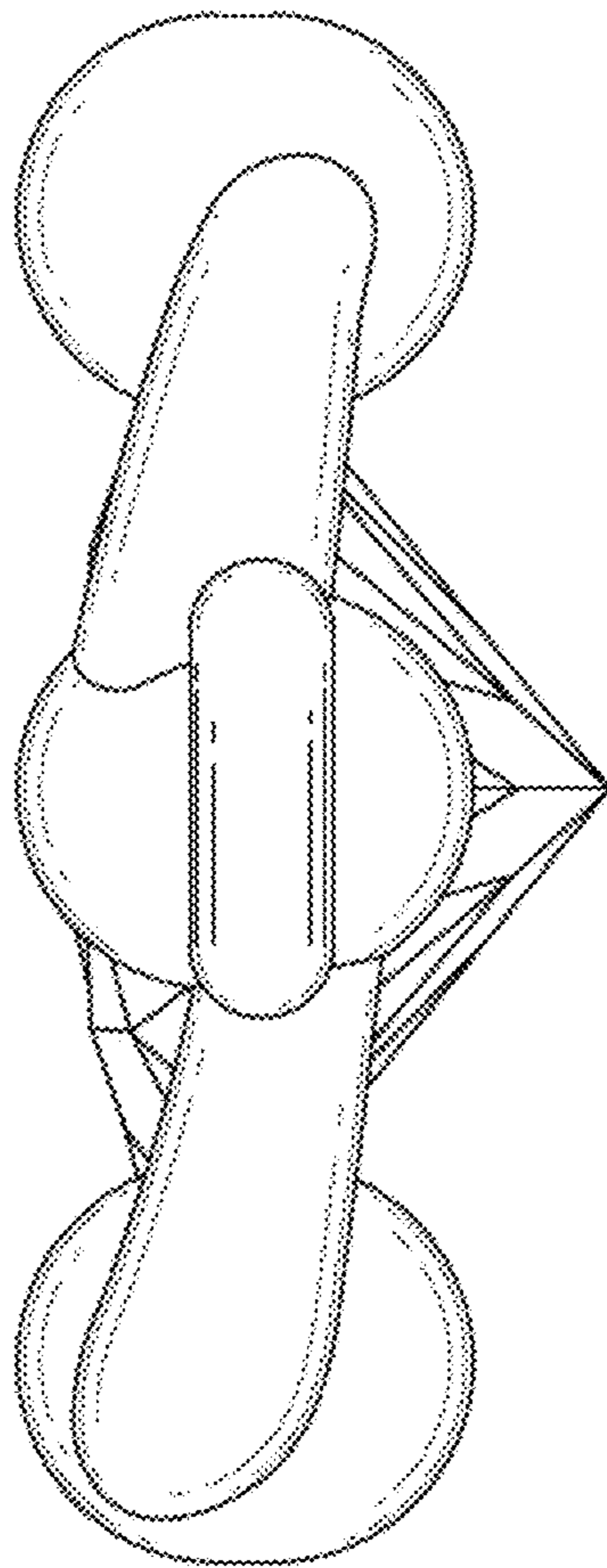


FIG. 8