



US00D964882S

(12) **United States Design Patent**
Milot

(10) **Patent No.:** **US D964,882 S**

(45) **Date of Patent:** **** Sep. 27, 2022**

(54) **WRISTBAND ATTACHMENT DEVICE**

(71) Applicant: **Taylor Milot**, Windermere, FL (US)

(72) Inventor: **Taylor Milot**, Windermere, FL (US)

(**) Term: **15 Years**

(21) Appl. No.: **29/812,478**

(22) Filed: **Oct. 21, 2021**

(51) **LOC (13) Cl.** **11-01**

(52) **U.S. Cl.**
USPC **D11/86**

(58) **Field of Classification Search**
USPC D11/1-25, 86
CPC A44C 5/00; A44C 5/0007; A44C 5/14;
G02C 11/02

See application file for complete search history.

(56) **References Cited**

U.S. PATENT DOCUMENTS

5,022,237	A	6/1991	Monderer et al.	
5,654,787	A *	8/1997	Barison	G02C 11/02 351/52
D404,677	S *	1/1999	Johnson	D11/5
D425,544	S *	5/2000	Erpillo	D11/40
6,807,680	B2	10/2004	Sloot	
D535,055	S *	1/2007	Been	D2/606
7,591,554	B2 *	9/2009	Guerrero	G02C 11/02 351/52
D631,780	S *	2/2011	Levy	D11/87
8,621,723	B2 *	1/2014	Meissner	A44C 15/003 63/38

D707,153	S	6/2014	Meissner
D707,584	S	6/2014	Webb
D716,172	S	10/2014	Howe
D741,213	S	10/2015	Moreau et al.
D781,742	S	3/2017	Rafaelian
D843,259	S	3/2019	Pucek
2020/0022487	A1	1/2020	Weeks

* cited by examiner

Primary Examiner — Zenia I Bennett

(74) *Attorney, Agent, or Firm* — Jason T. Daniel, Esq.;
Daniel Law Offices, P.A.

(57) **CLAIM**

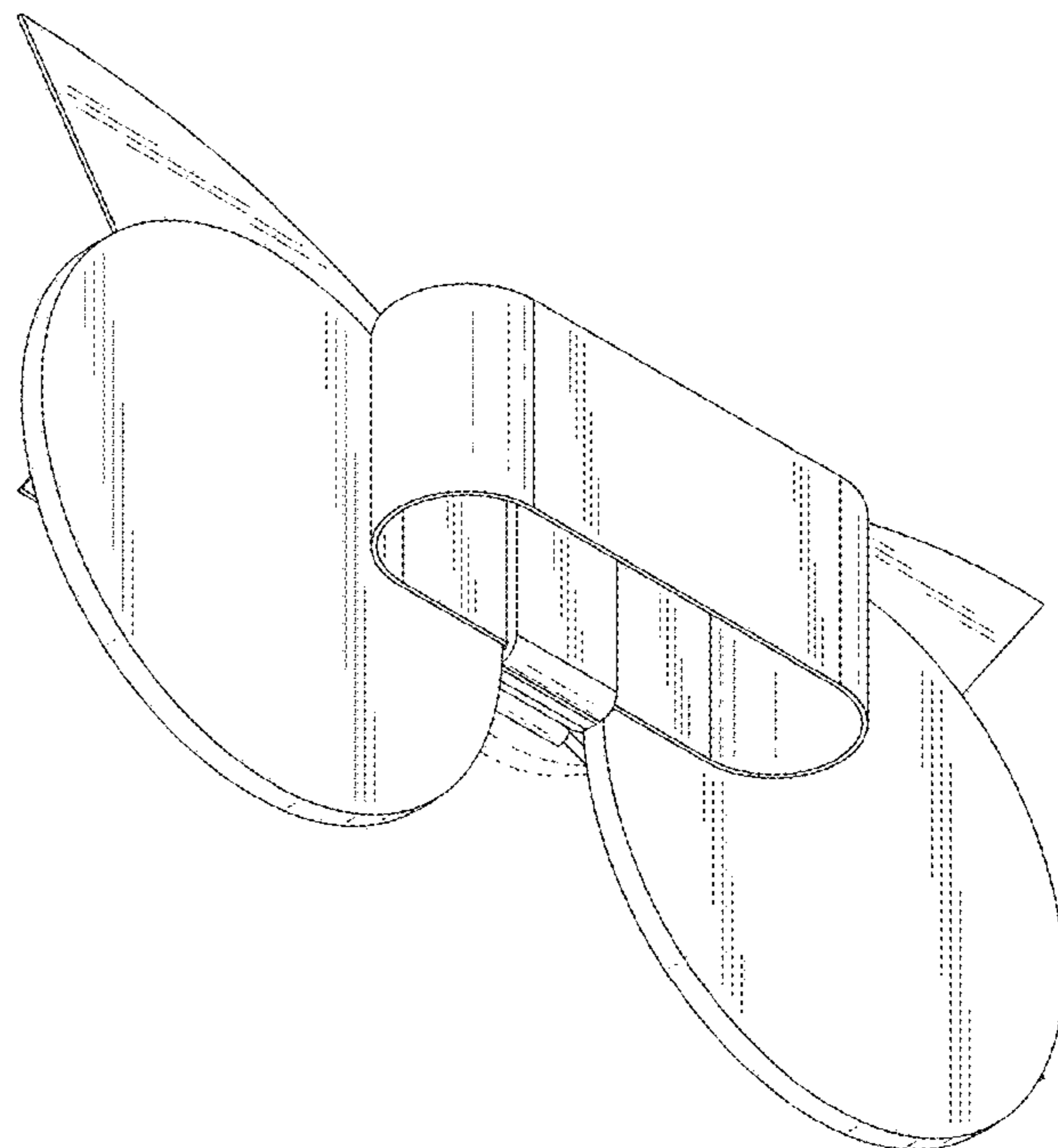
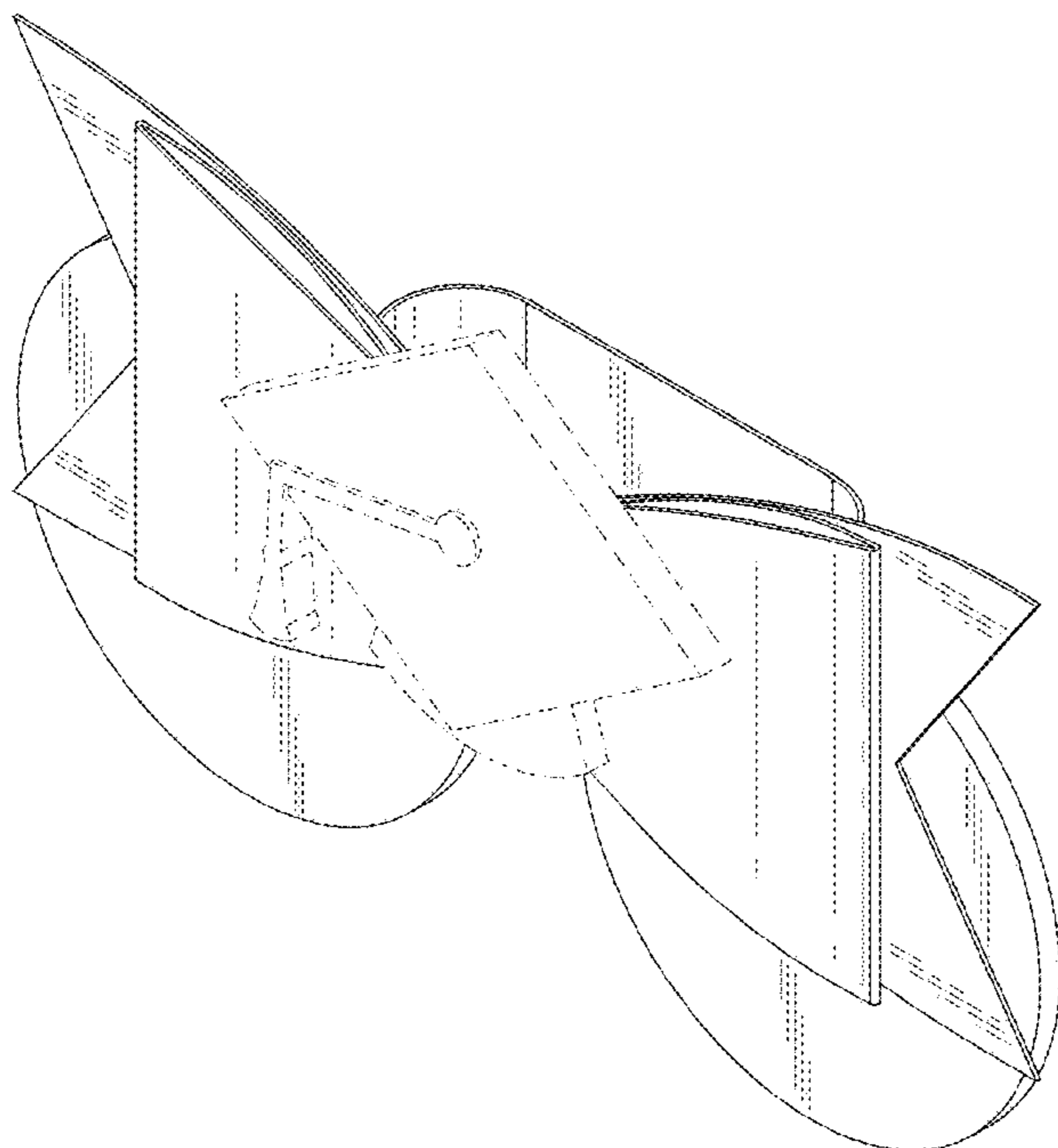
The ornamental design for a wristband attachment device, as shown and described.

DESCRIPTION

FIG. 1 is a top side perspective view of my design for a wristband attachment device, FIG. 2 is a back side perspective view thereof, FIG. 3 is a front elevation view thereof, FIG. 4 is a back elevation view thereof, FIG. 5 is a top plan view thereof, FIG. 6 is a bottom plan view thereof, FIG. 7 is a right view thereof; and, FIG. 8 is a left view thereof.

In the drawings, the broken lines are for the purpose of illustrating environment only and form no part of the claimed design.

1 Claim, 3 Drawing Sheets



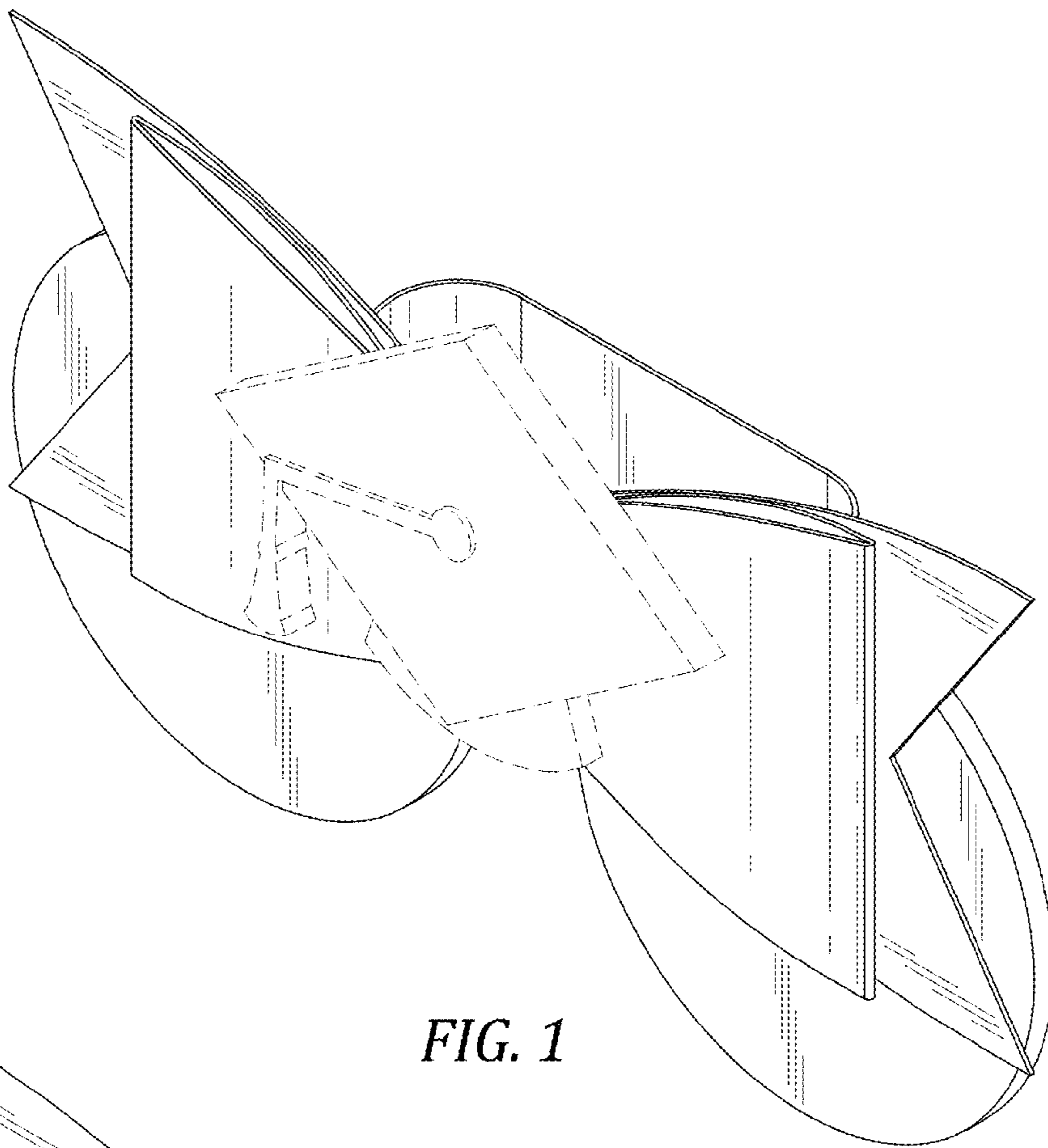


FIG. 1

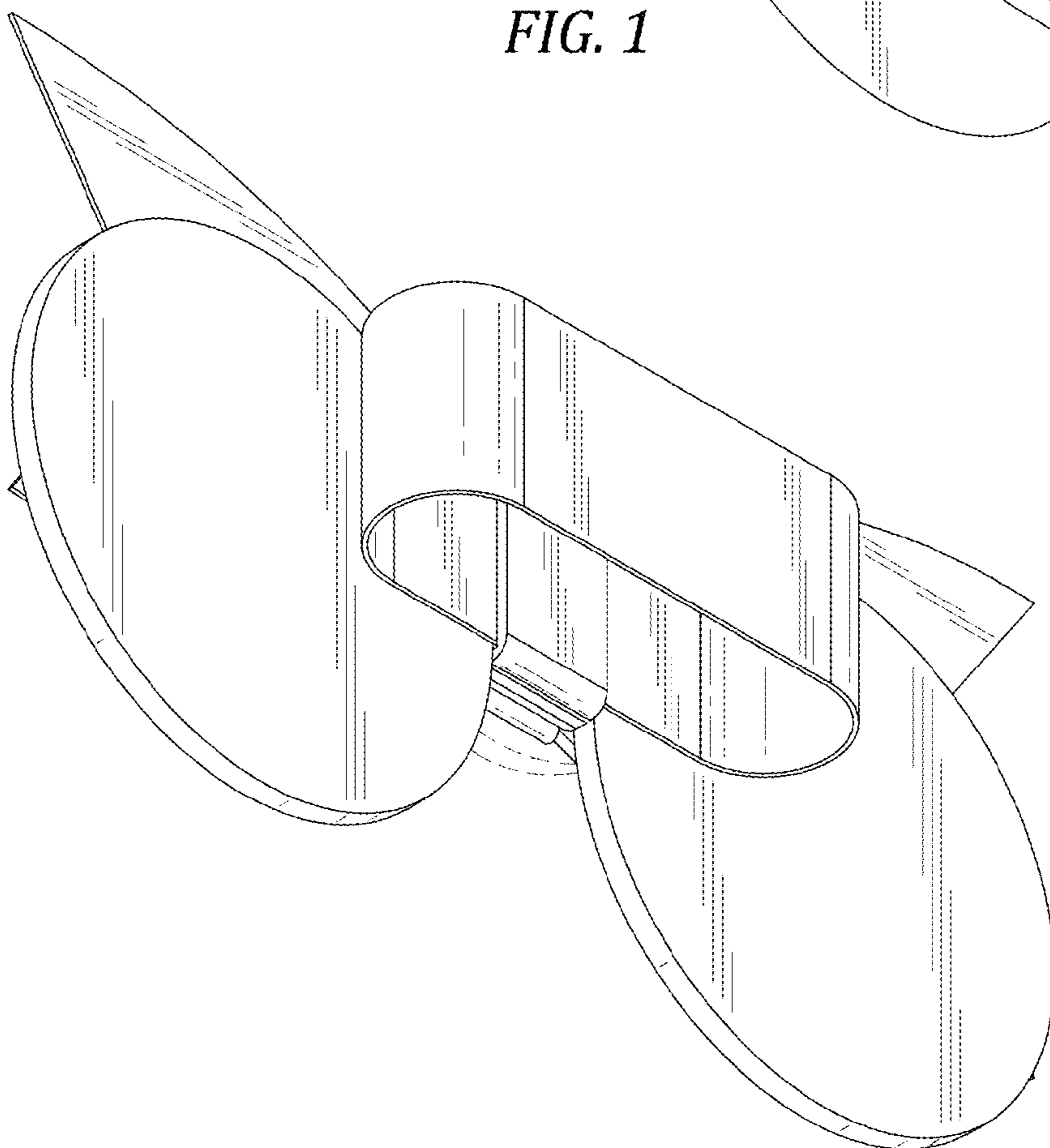


FIG. 2

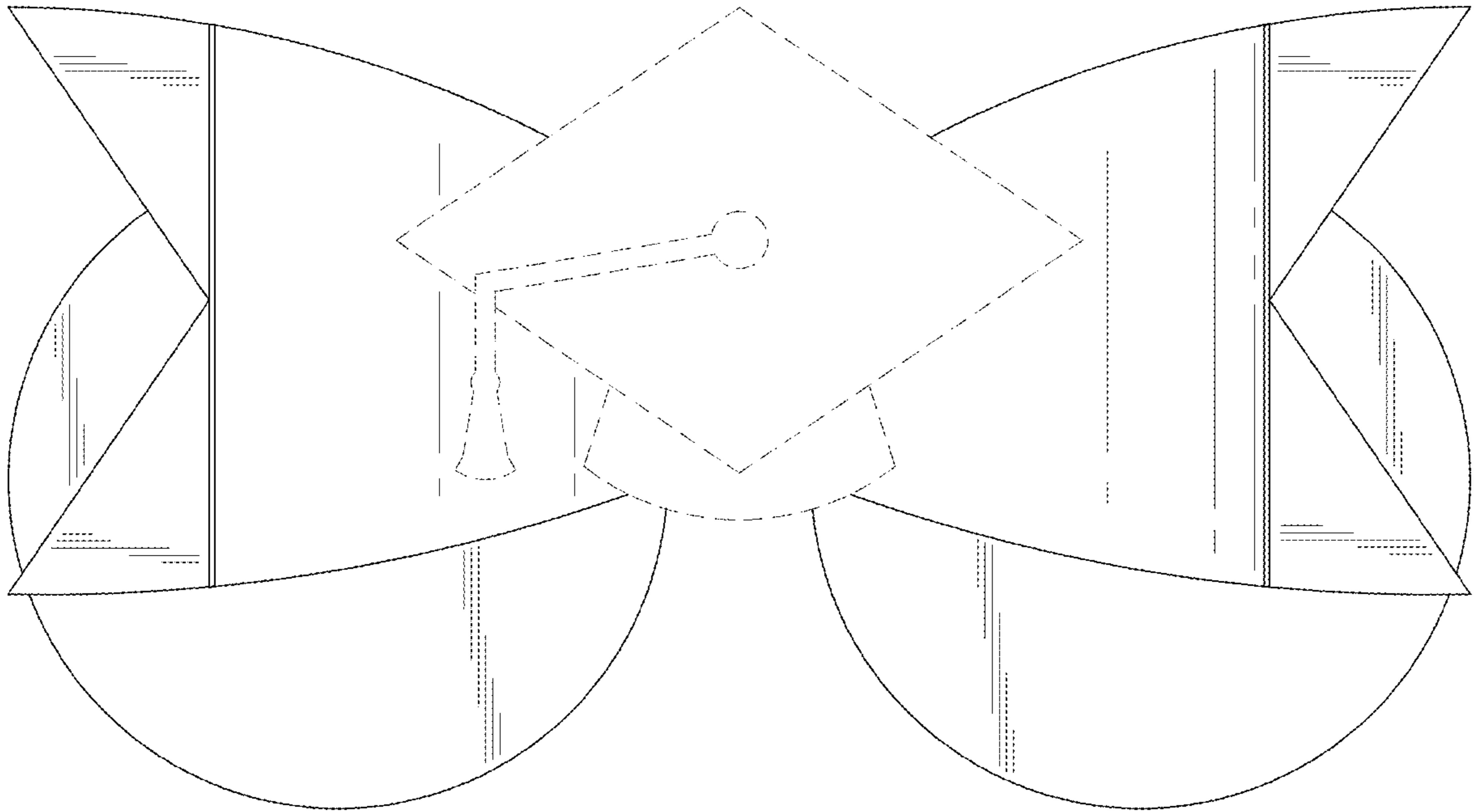


FIG. 3

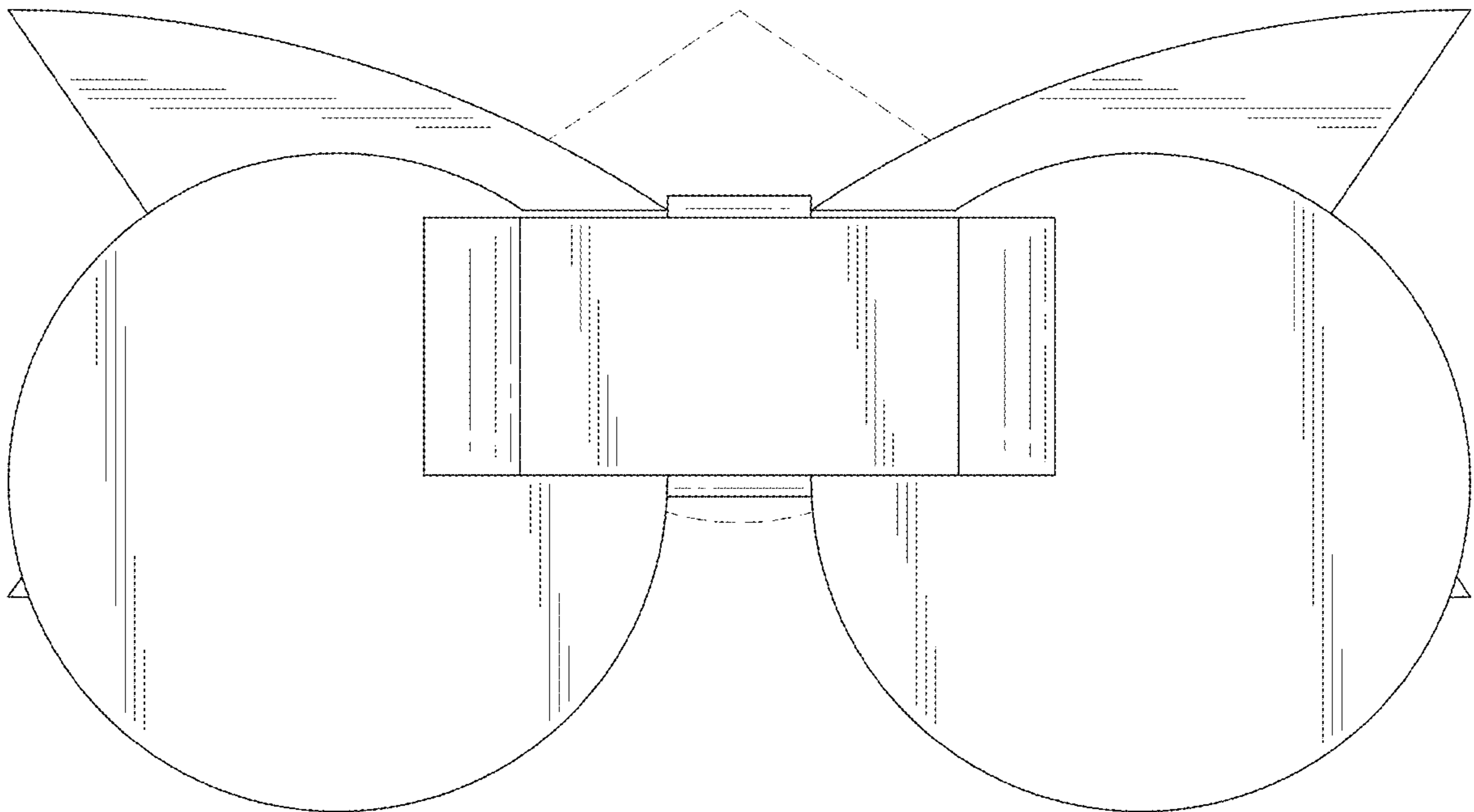


FIG. 4

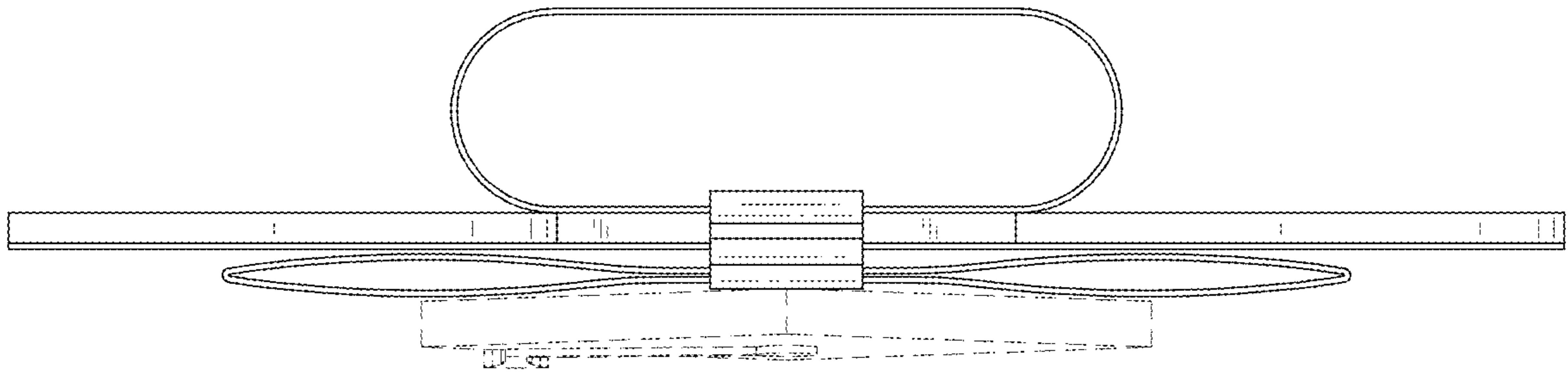


FIG. 5

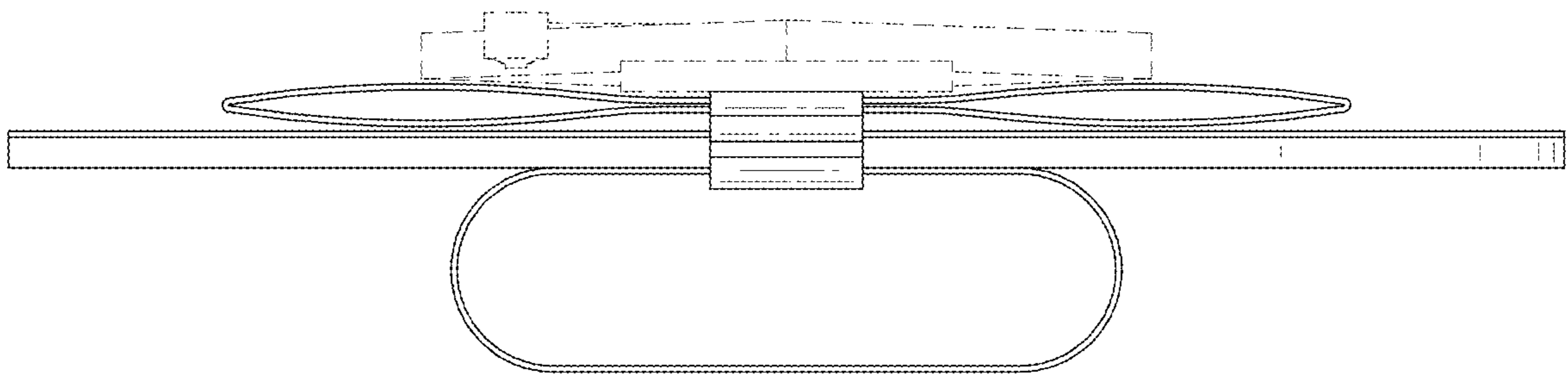


FIG. 6

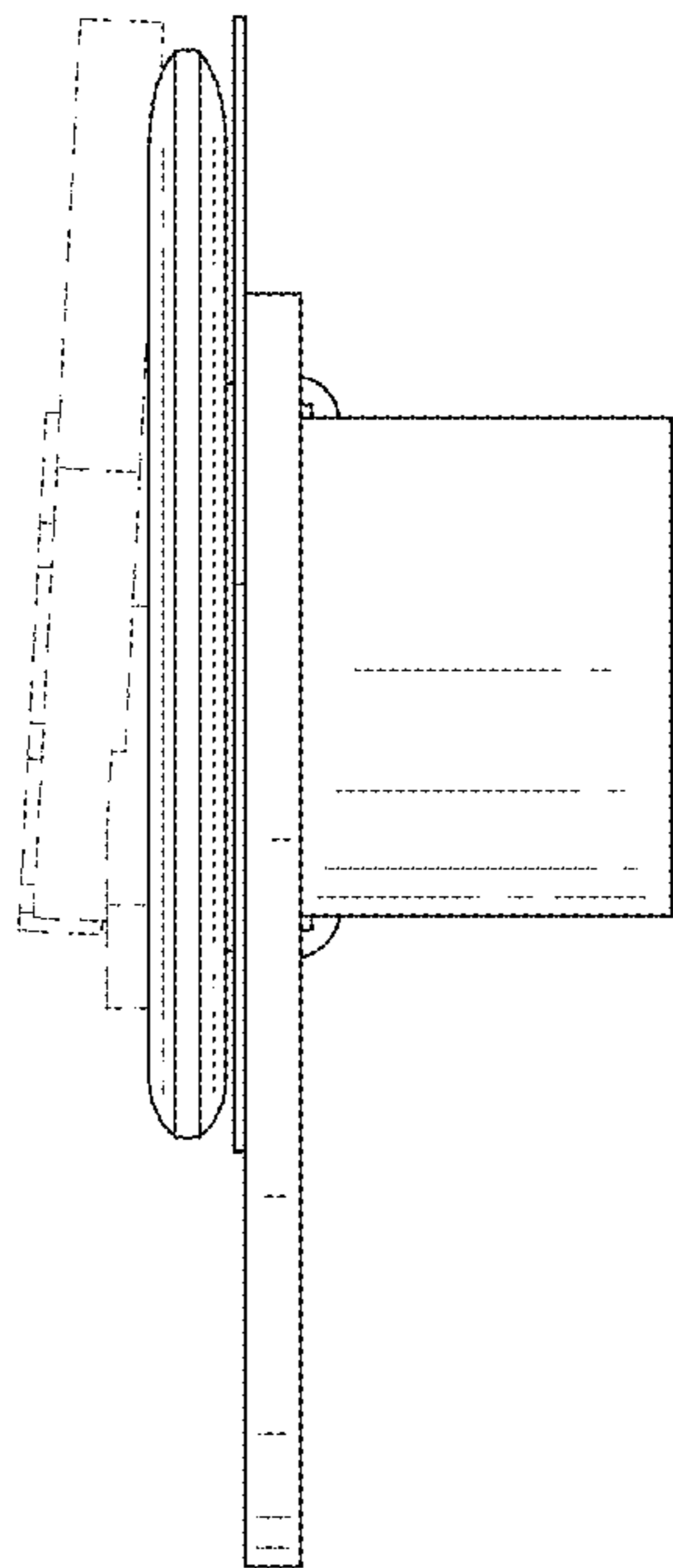


FIG. 7

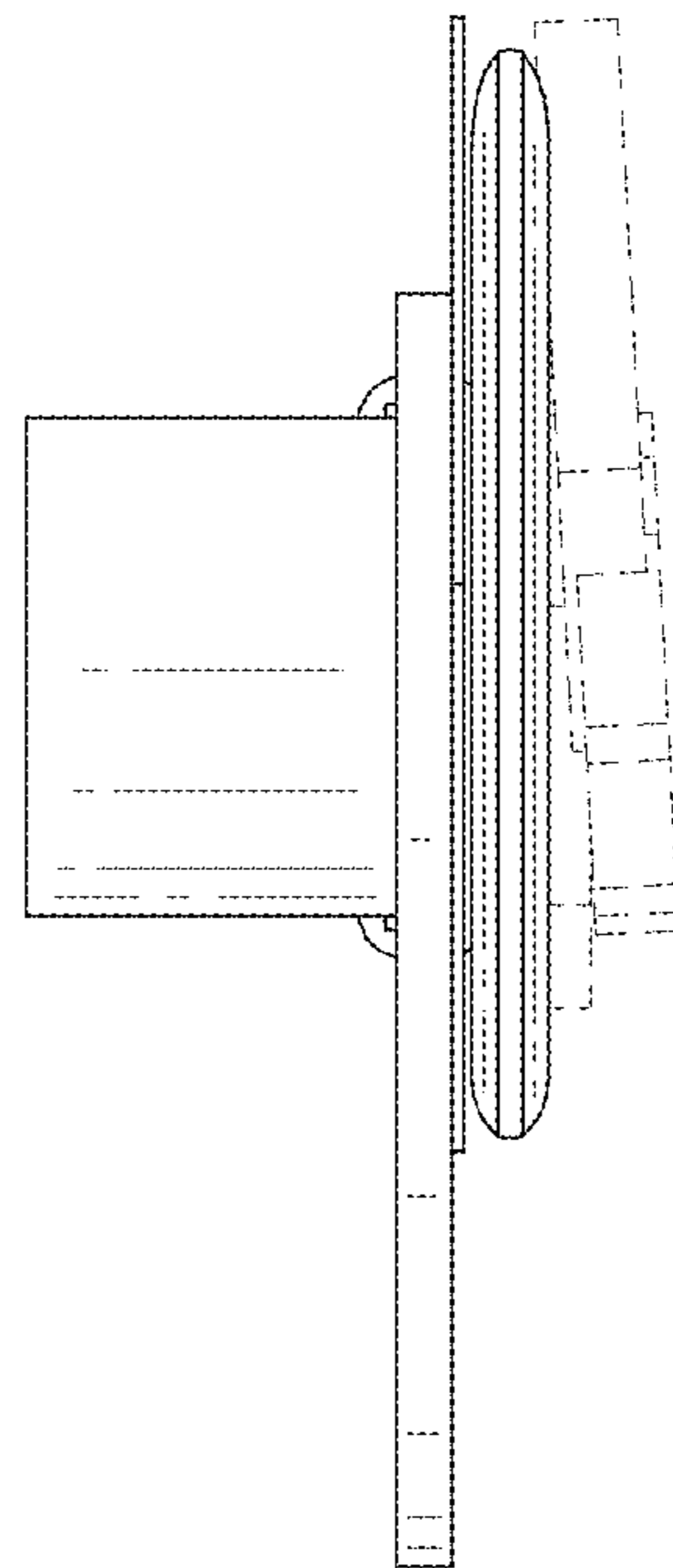


FIG. 8