



US00D964881S

(12) **United States Design Patent** (10) **Patent No.:** **US D964,881 S**  
**Nelson** (45) **Date of Patent:** **\*\* Sep. 27, 2022**

(54) **JEWELRY**

FOREIGN PATENT DOCUMENTS

(71) Applicant: **Shannon Nelson**, Ladson, SC (US)

CN 306420884 \* 3/2021  
WO 2005009166 2/2005

(72) Inventor: **Shannon Nelson**, Ladson, SC (US)

(\*\*) Term: **15 Years**

OTHER PUBLICATIONS

(21) Appl. No.: **29/754,580**

Queen May—Wonderful 1940s 8 Charms Eiffel Tower Champagne Bucket, available 1949, online, site visited Jul. 12, 2022. Available online, URL: <https://queenmayjewelry.com/products/wonderful-1940s-8-charms-eiffel-tower-champagne-bucket-gold-charm-bracelet> (Year: 1949).\*

(22) Filed: **Oct. 13, 2020**

Jewels Obsession—14K or 18K Gold Pail and Shovel Pendant, available 2022, online, site visited Jul. 12, 2022. Available online, URL: <https://jewelsobsession.com/products/gold-pail-and-shovel-pendant-az1486dz?variant=39439279423646> (Year: 2022).\*

(51) **LOC (13) Cl.** ..... **11-01**

(52) **U.S. Cl.**  
USPC ..... **D11/81**

(58) **Field of Classification Search**  
USPC ..... D11/7, 8, 43–45, 79–86; D3/207–212  
CPC ... A44C 25/001; A44C 25/002; A44C 25/004;  
A44C 25/005; A44C 25/007; A44C  
25/008  
See application file for complete search history.

\* cited by examiner

*Primary Examiner* — W. A. Teddy Falloway

*Assistant Examiner* — Sarah J Ault

(56) **References Cited**

(57) **CLAIM**

U.S. PATENT DOCUMENTS

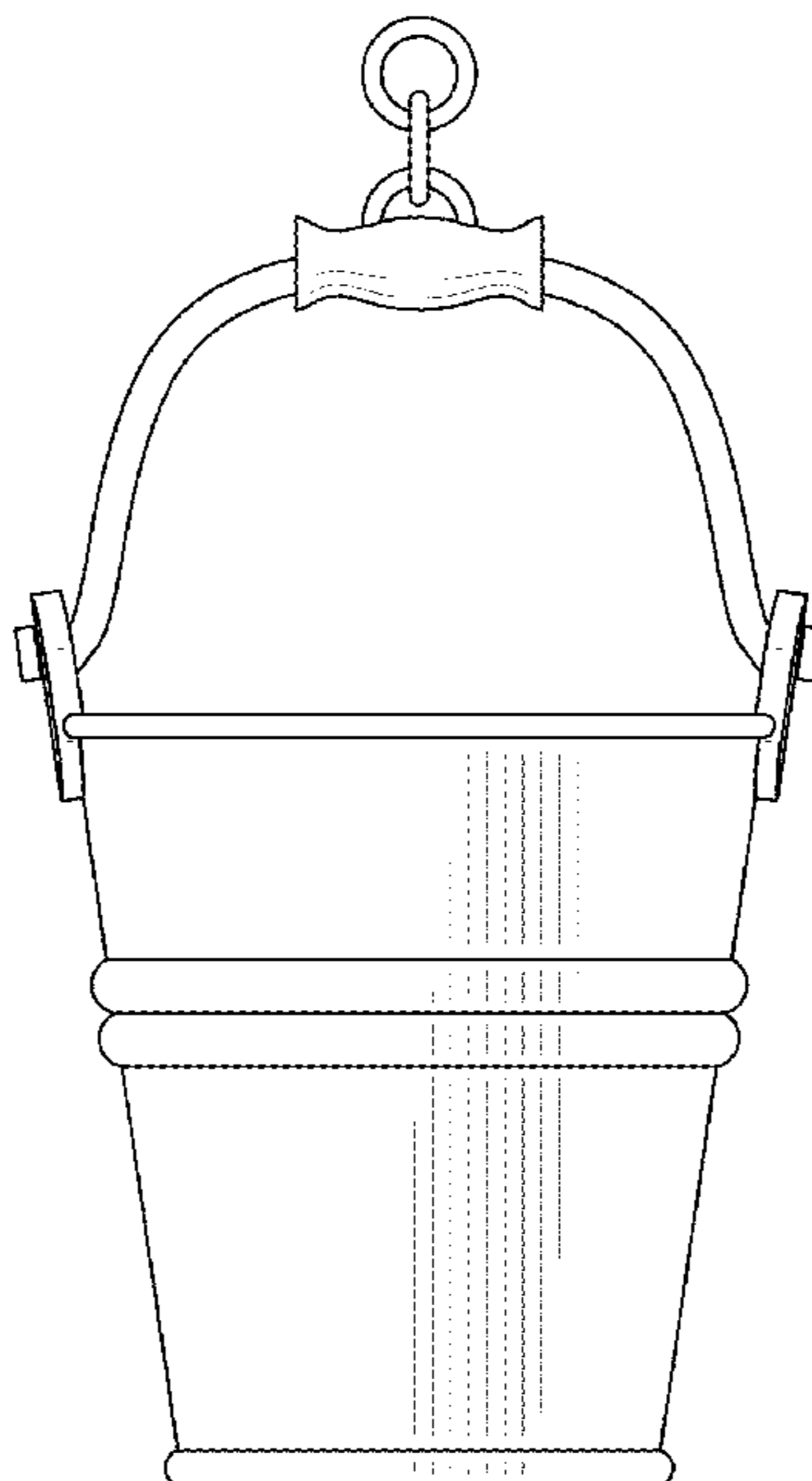
I claim the ornamental design for the jewelry, as shown and described.

D107,096 S *	11/1937	Rideout	.....	D32/53
D121,609 S *	7/1940	Dopyera	.....	D9/633
D178,870 S *	10/1956	Dale	.....	D11/67
D289,186 S *	4/1987	Thomson	.....	D21/483
D312,981 S	12/1990	Palmer		
D371,185 S *	6/1996	Mullins	.....	D22/136
D374,043 S *	9/1996	Ryaa	.....	D21/483
7,007,507 B2	3/2006	Enevoldsen		
D633,266 S *	2/2011	Tuan	.....	D32/53
7,937,966 B2	5/2011	Golove		
D705,512 S *	5/2014	Stratton	.....	D8/107
8,869,555 B2	10/2014	Kaupp		
9,439,484 B2	9/2016	Nevatia		
D803,092 S *	11/2017	Longfellow	.....	D11/79
10,531,714 B2	1/2020	Okamura		
D880,341 S *	4/2020	Gargis	.....	D11/81
2014/0182332 A1	7/2014	Gray		
2015/0359301 A1	12/2015	Lavorato		

**DESCRIPTION**

FIG. 1 is a front view of the jewelry.  
FIG. 2 is a rear view of the claimed design.  
FIG. 3 is a right side view of the claimed design.  
FIG. 4 is a left side view of the claimed design.  
FIG. 5 is a top view of the claimed design.  
FIG. 6 is a bottom view of the claimed design.  
FIG. 7 is a perspective view of the claimed design; and,  
FIG. 8 is a perspective view of the claimed design.  
The broken lines of a chain appearing in FIG. 8 are of environmental matter forming no part of the claimed design.

**1 Claim, 6 Drawing Sheets**



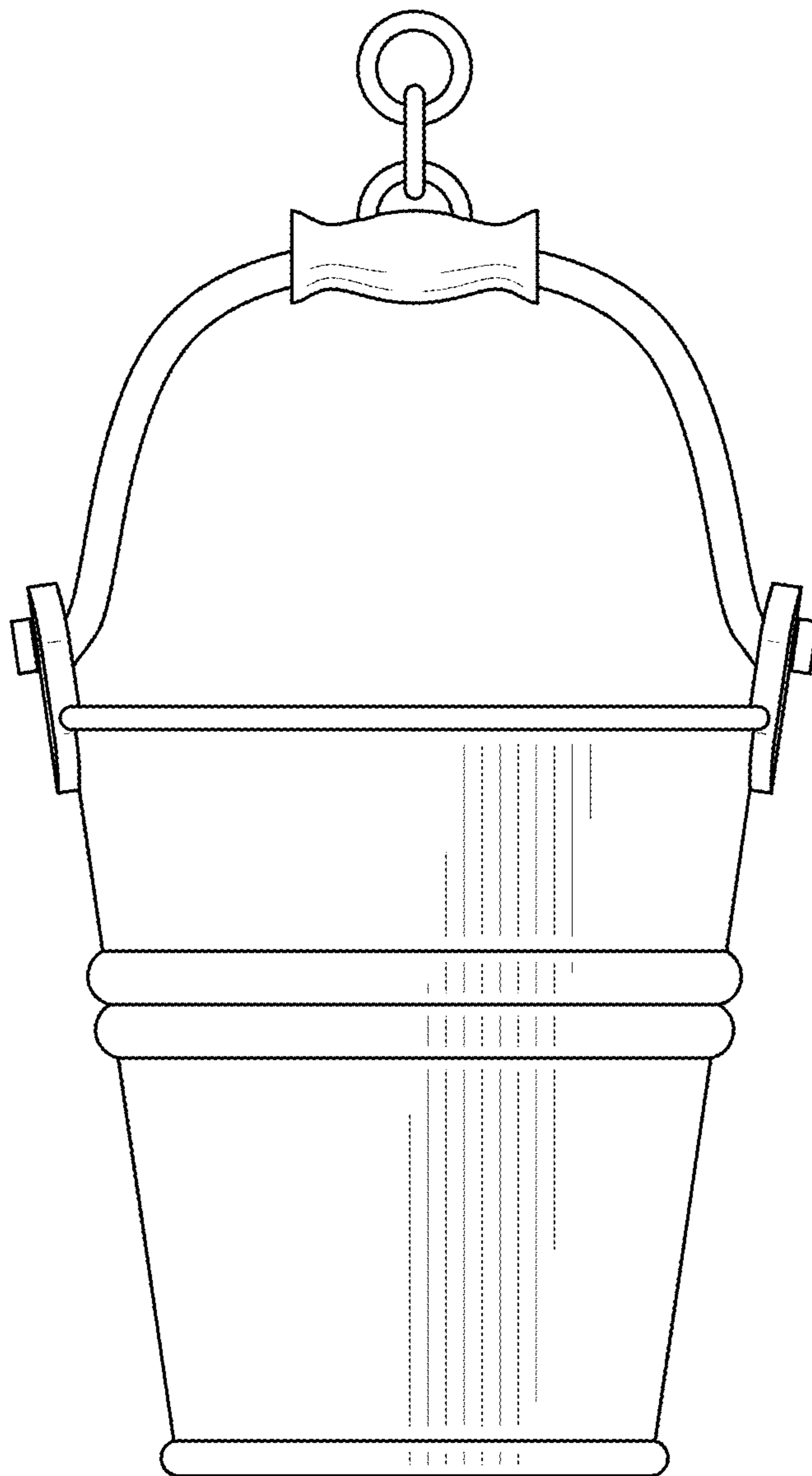


FIG. 1

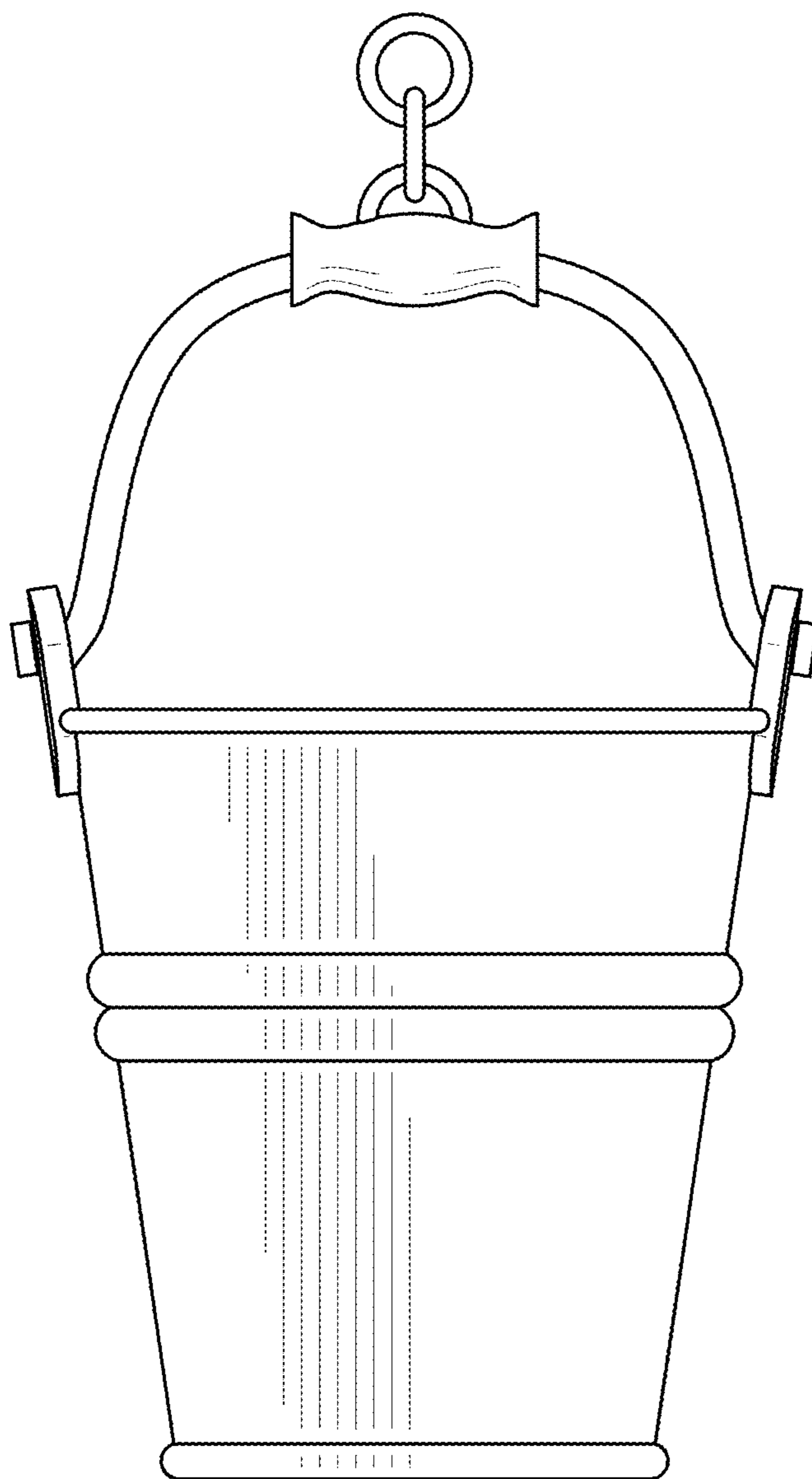


FIG. 2

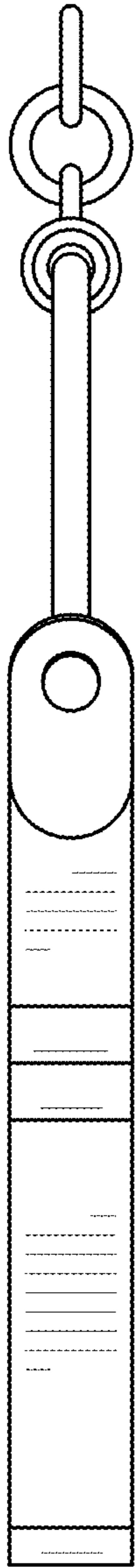


FIG. 3



FIG. 4

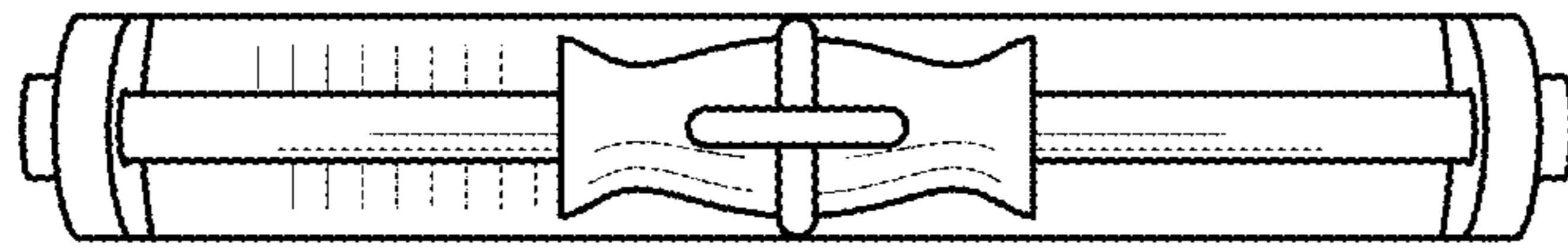


FIG. 5



FIG. 6

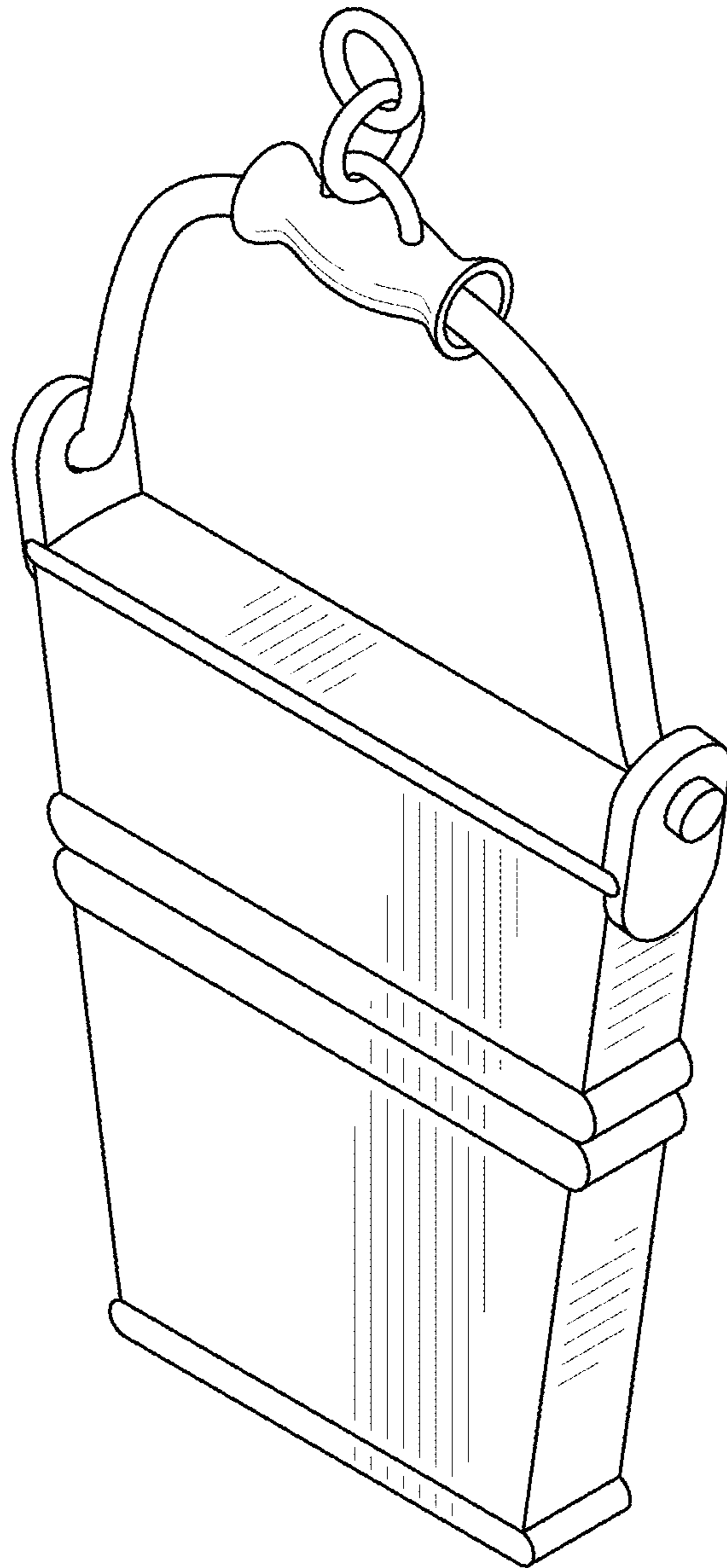


FIG. 7



FIG. 8