

US00D964878S

(12) **United States Design Patent**
Tian

(10) **Patent No.:** **US D964,878 S**

(45) **Date of Patent:** **** Sep. 27, 2022**

(54) **WATCHBAND**

FOREIGN PATENT DOCUMENTS

(71) Applicant: **Shenzhen Helizhongtuo Trading Co., Ltd.**, Shenzhen (CN)

CN 201730380479 * 8/2017
CN 201730485770 * 10/2017

(Continued)

(72) Inventor: **Heli Tian**, Shenzhen (CN)

(**) Term: **15 Years**

OTHER PUBLICATIONS

(21) Appl. No.: **29/796,385**

Amazon, Garmin Replacement Watch Strap for Forerunner, posted Jul. 20, 2016, [online], [visited Apr. 1, 2022]. Internet, <URL: <https://www.amazon.co.uk/Garmin-Replacement-Watch-Strap-Forerunner/dp/B019L2CDMA/ref>> (Year: 2016).*

(22) Filed: **Jun. 24, 2021**

(Continued)

(51) **LOC (13) Cl.** **11-01**

(52) **U.S. Cl.**

USPC **D11/3**

(58) **Field of Classification Search**

USPC D10/30, 31, 32, 38, 39, 122, 129, 128;
D11/1, 2, 3, 4, 5, 6, 11, 12, 13, 200, 201

CPC G04B 37/14; A44C 5/00; A44C 5/0007;
A44C 5/0053; A44C 5/0061; A44C
5/0069; A44C 5/0084; A44C 5/18; A44C
5/185; A44C 5/208; A44C 5/2066; A44C
5/2052

See application file for complete search history.

Primary Examiner — Samantha Wood

(57) **CLAIM**

The ornamental design for a watchband, as shown and described.

DESCRIPTION

(56) **References Cited**

U.S. PATENT DOCUMENTS

3,830,414 A * 8/1974 Caprielian A44C 5/00
63/3
D285,422 S * 9/1986 Grimes D11/4
D300,210 S * 3/1989 Houlihan D10/30
D310,035 S * 8/1990 Braun D10/32
D339,748 S * 9/1993 Choi D10/126
D349,257 S * 8/1994 Polenberg D11/3
D350,289 S * 9/1994 Frazier D10/31
D452,006 S * 12/2001 Komulainen D10/31
D454,505 S * 3/2002 Sato D10/32
D497,827 S * 11/2004 Yamamoto D11/19
D507,498 S * 7/2005 Hung D10/31
D675,123 S * 1/2013 Nunez D11/3
D726,056 S * 4/2015 Riddiford D11/3
D756,832 S * 5/2016 Riddiford D14/344
D793,269 S * 8/2017 Magniez D11/3
D793,270 S * 8/2017 Riddiford D11/3

(Continued)

FIG. 1 is a front and top perspective view of a watchband, showing my new design;

FIG. 2 is a rear and bottom perspective view thereof;

FIG. 3 is a front elevation view thereof;

FIG. 4 is a rear elevation view thereof;

FIG. 5 is a left side elevation view thereof;

FIG. 6 is a right side elevation view thereof;

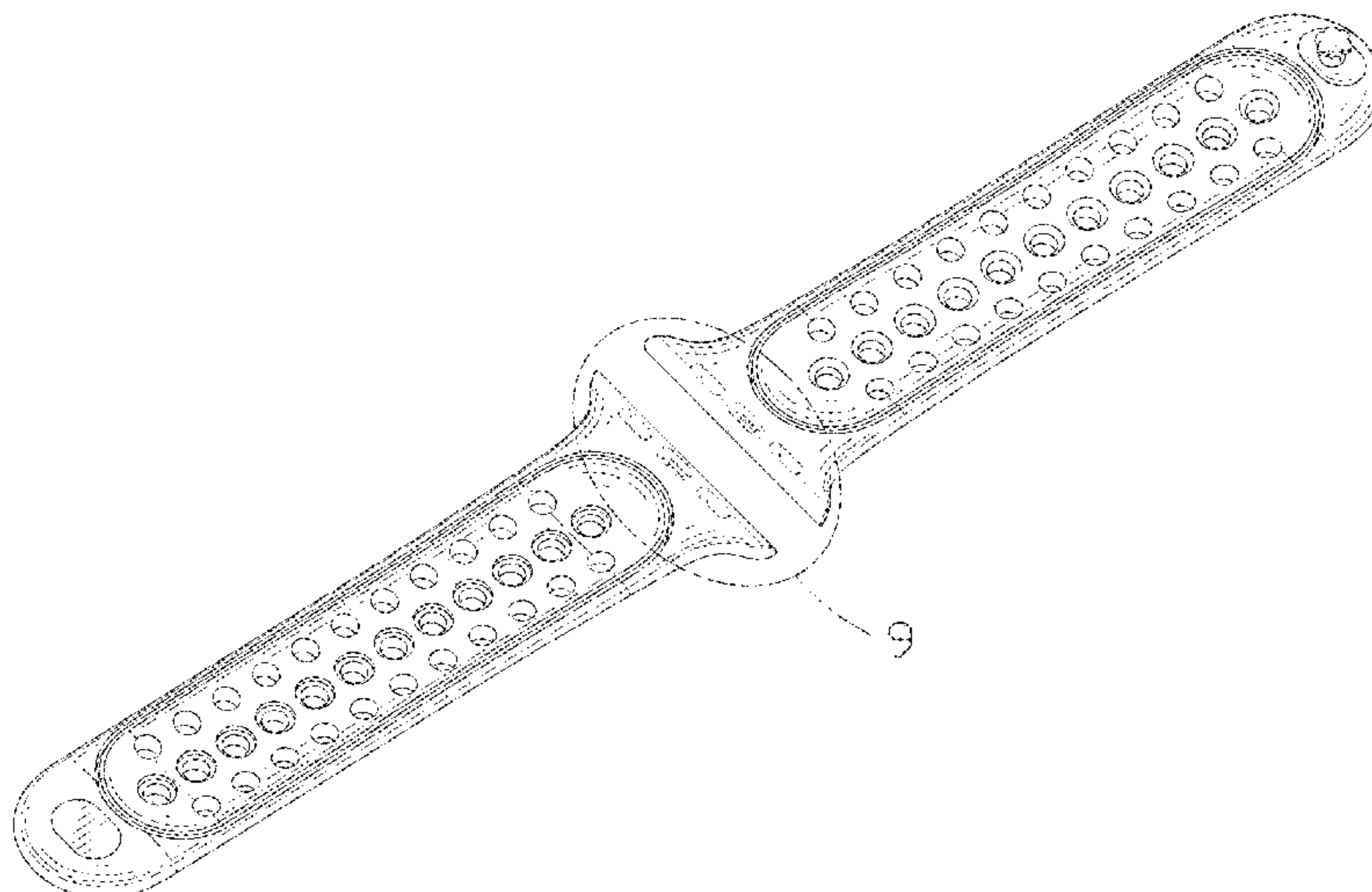
FIG. 7 is a top plan view thereof;

FIG. 8 is a bottom plan view thereof; and,

FIG. 9 is an enlarged top perspective view taken from the portion labeled "9" in FIG. 1.

The broken lines in the figures illustrate portions of the watchband that form no part of the claimed design. The dash dot dash lines in FIGS. 1 and 9 are for the purpose of depicting the boundary lines of the enlarged view and form no part of the claim.

1 Claim, 9 Drawing Sheets



(56)

References Cited

U.S. PATENT DOCUMENTS

D836,477 S * 12/2018 Peng D11/3
 D839,121 S * 1/2019 Liu D11/3
 D840,860 S * 2/2019 Zhang D11/3
 D841,512 S * 2/2019 Paschke D11/3
 D842,157 S * 3/2019 Liu D11/3
 D848,286 S * 5/2019 Behling D10/32
 D848,865 S * 5/2019 Behling D10/32
 D849,564 S * 5/2019 Behling D10/32
 D874,298 S * 2/2020 Xie D14/344
 D881,060 S * 4/2020 Wang D11/3
 D889,304 S * 7/2020 Paschke D11/3
 D895,613 S * 9/2020 Kozlovskaya D14/344
 D909,225 S * 2/2021 Riot D14/344
 D911,205 S * 2/2021 Chung D11/3
 D921,516 S 6/2021 Ouyang
 D938,849 S * 12/2021 Akana D11/3
 D938,850 S * 12/2021 Akana D11/3
 D944,514 S * 3/2022 Anthony D3/215
 2011/0209313 A1 * 9/2011 Padgett A44C 5/0069
 24/68 BT
 2017/0215529 A1 * 8/2017 Steve G04B 37/14
 2018/0294554 A1 * 10/2018 Xu A44C 5/0053

FOREIGN PATENT DOCUMENTS

CN 201830267886 * 5/2018
 GB 6124788 * 3/2021
 KR 3020190003445 * 1/2019
 KR 3020210007458 * 2/2021

OTHER PUBLICATIONS

Amazon, Bemodst Compatible Replacement Wristband, posted Mar. 2, 2021, [online], [visited Apr. 1, 2022]. Internet, <URL: <https://www.amazon.co.uk/Bemodst-Compatible-Replacement-Wristband-Accessories/dp/B08XW634BB/ref>> (Year: 2021).*

Amazon, cobee Silicone Watch Straps, posted Dec. 30, 2021, [online], [visited Apr. 1, 2022]. Internet, <URL: <https://www.amazon.co.uk/cobee-Silicone-Waterproof-Smartwatches-Replacement/dp/B09PGBGJW1/ref>> (Year: 2021).*

* cited by examiner

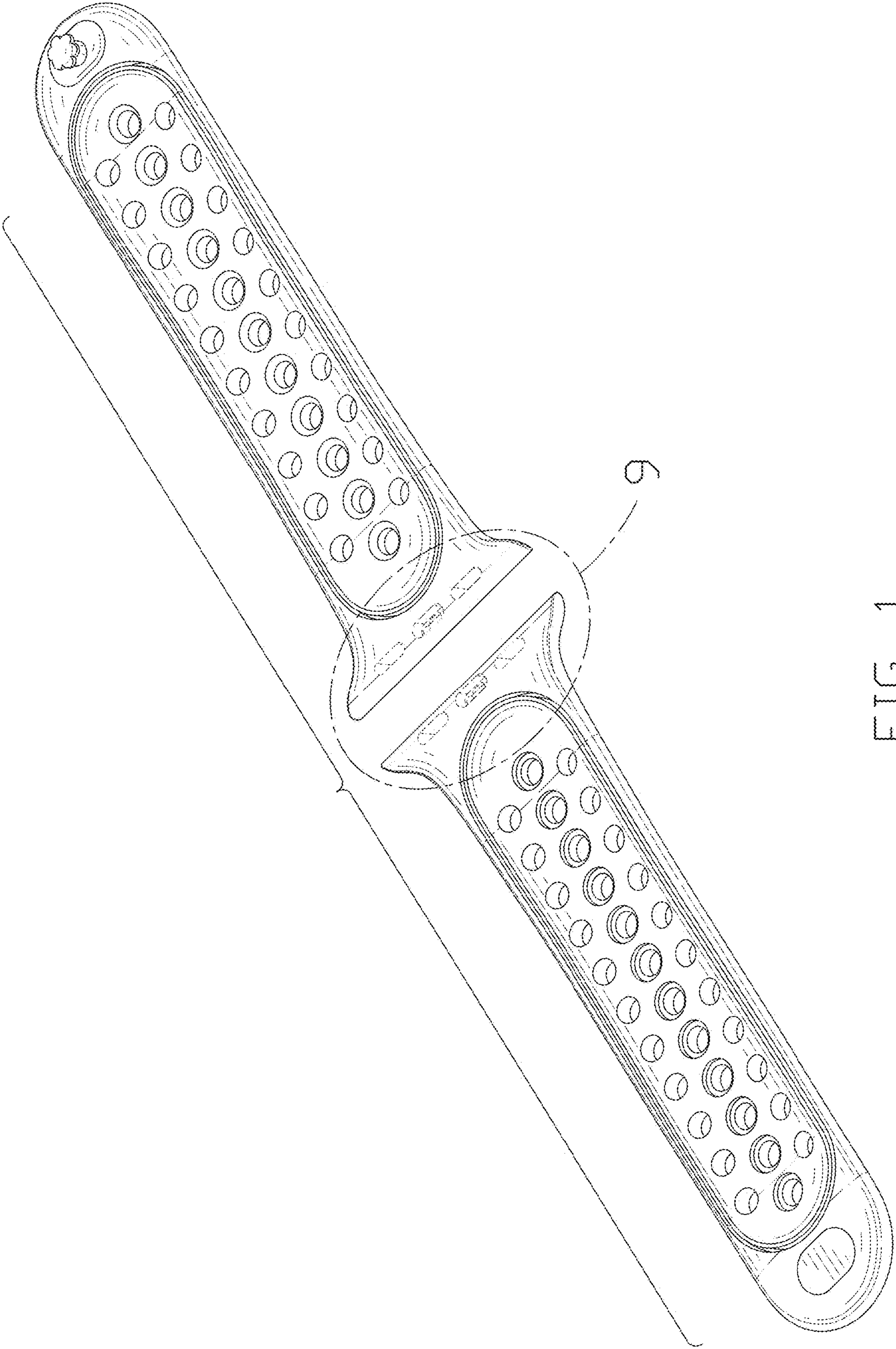


FIG. 1

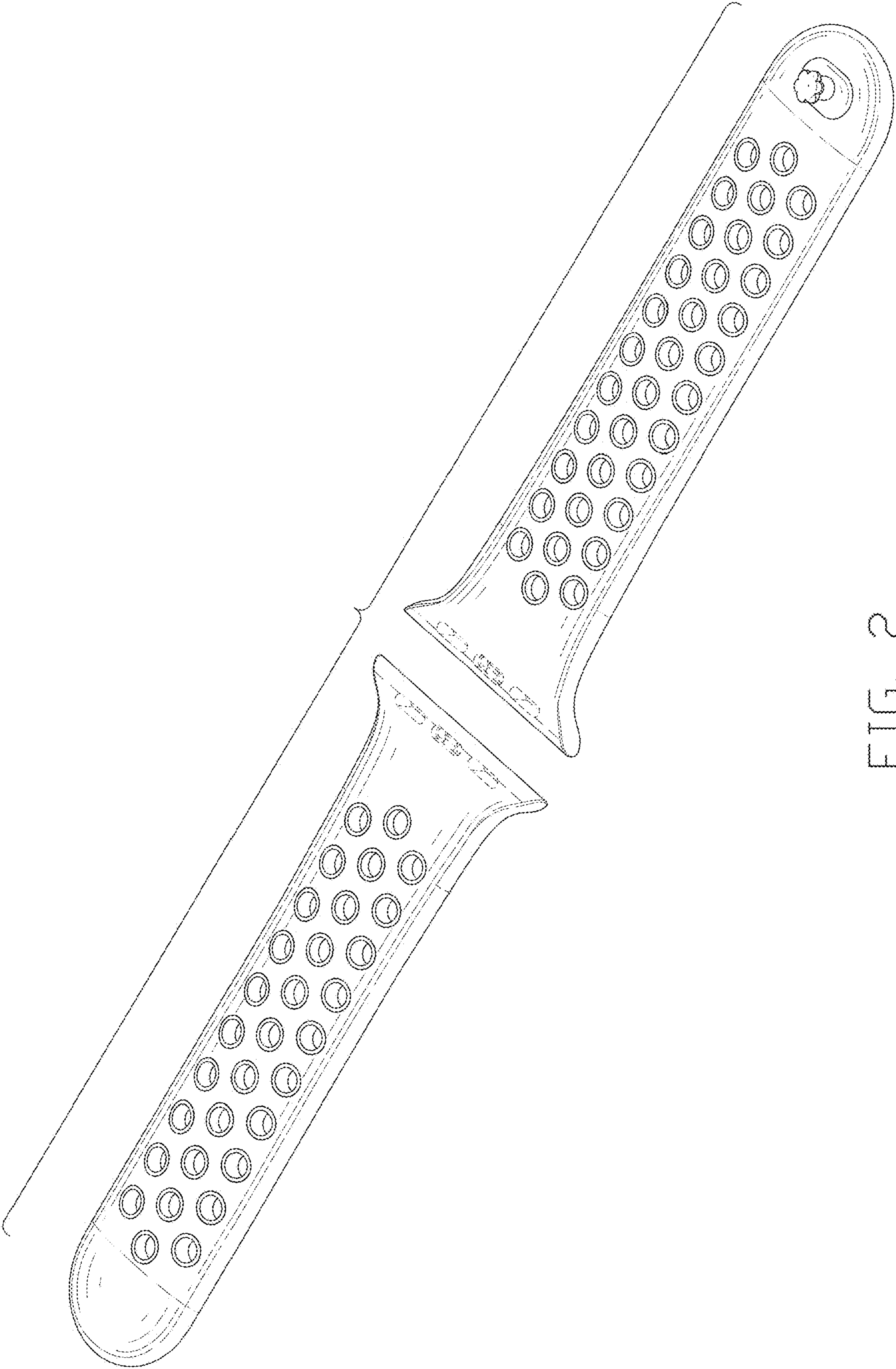


FIG. 2

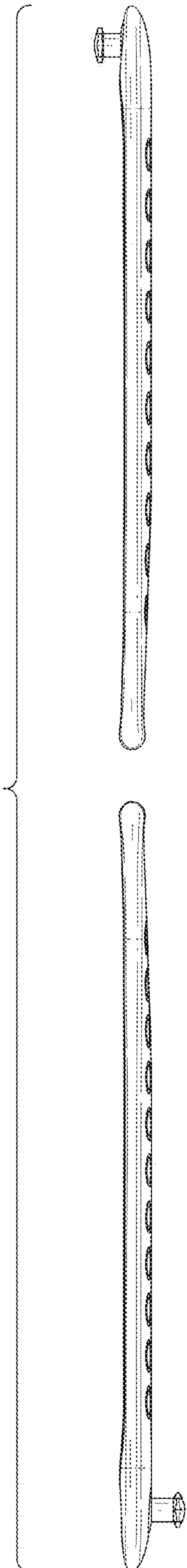


FIG. 3

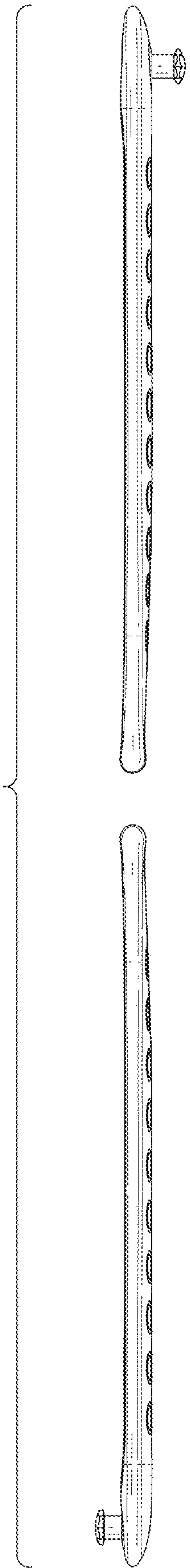


FIG. 4

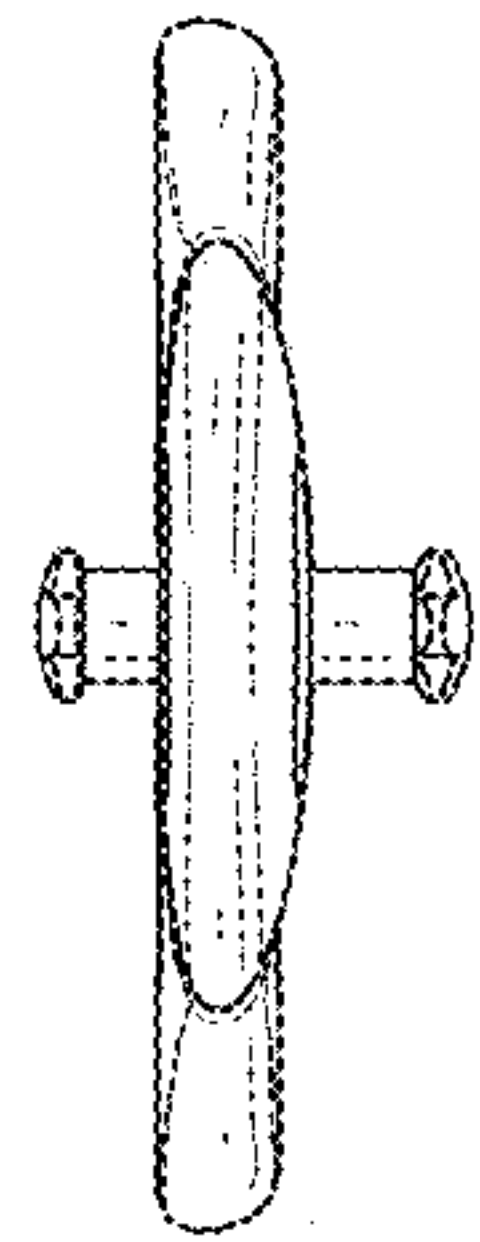


FIG. 5

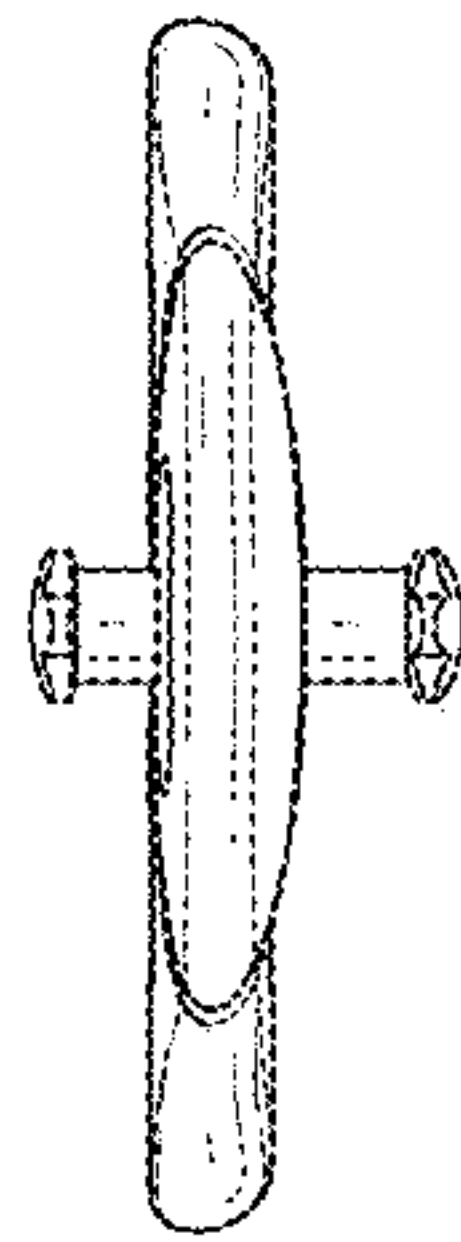


FIG. 6

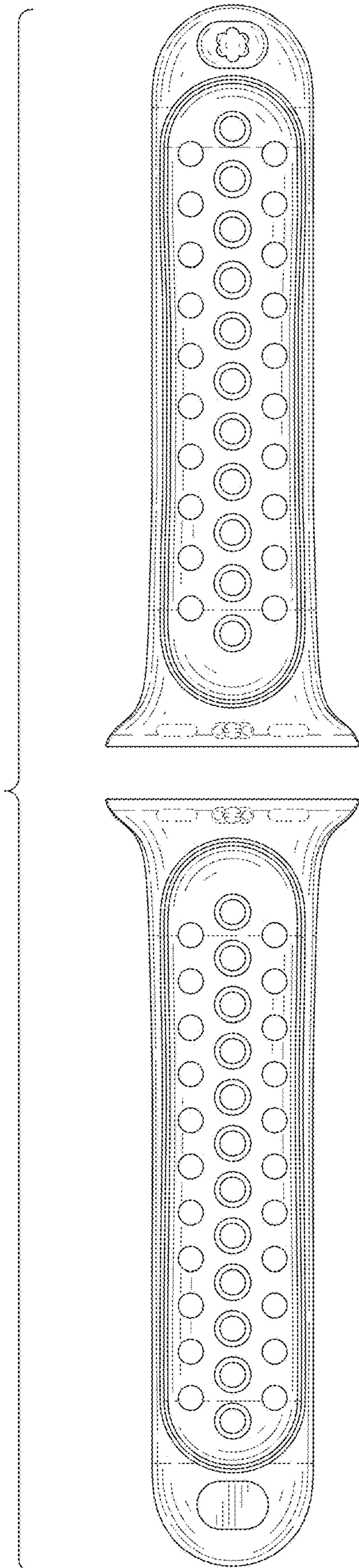


FIG. 7

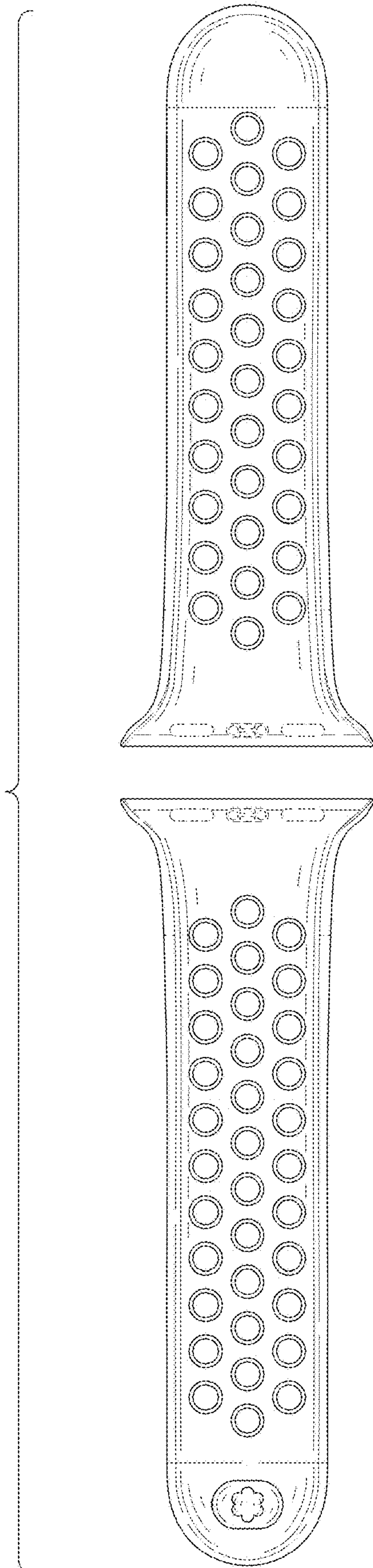


FIG. 8

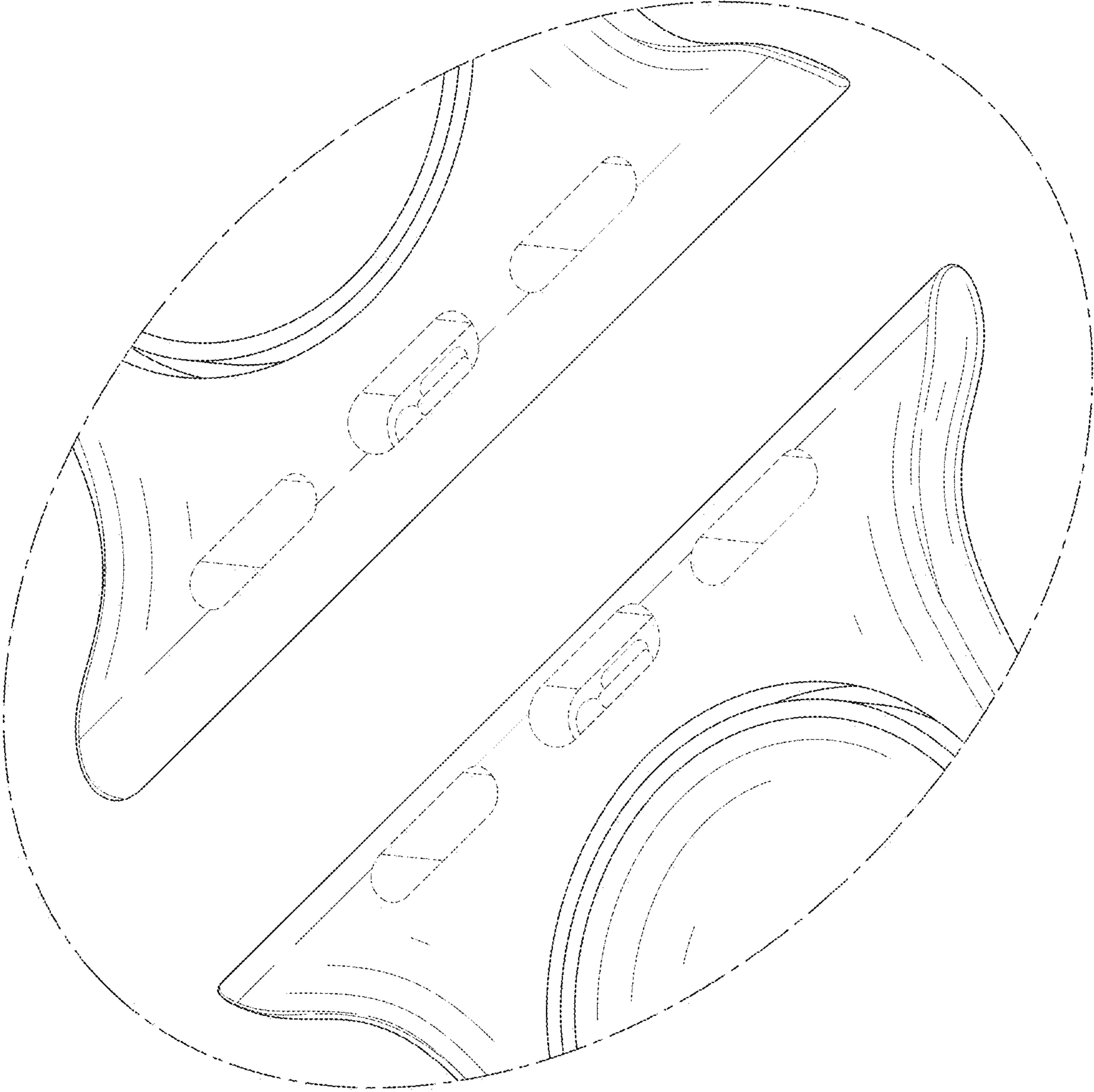


FIG. 9