



US00D964877S

(12) **United States Design Patent** (10) **Patent No.:** **US D964,877 S**  
**Li** (45) **Date of Patent:** **\*\* Sep. 27, 2022**

(54) **WATCH BAND**

(71) Applicant: **CHINA HIGH ITECH CORPORATION LIMITED**, Hong Kong (CN)

(72) Inventor: **Juan Li**, Shenzhen (CN)

(73) Assignee: **CHINA HIGH ITECH CORPORATION LIMITED**, Hong Kong (CN)

(\*\*) Term: **15 Years**

(21) Appl. No.: **29/774,418**

(22) Filed: **Mar. 16, 2021**

(51) **LOC (13) Cl.** ..... **11-01**

(52) **U.S. Cl.**  
USPC ..... **D11/3**

(58) **Field of Classification Search**  
USPC ..... D11/1-5, 94; D10/30, 31, 32, 70;  
D14/344

CPC ..... A44C 5/0015; A44C 5/0023; A44C 5/003;  
A44C 5/0053; A44C 5/0061; A44C  
5/0069; A44C 5/0076; A44C 5/02; A44C  
5/025; A44C 5/027; A44C 5/16; A44C  
5/24; A44C 5/243; A44C 5/246

See application file for complete search history.

(56) **References Cited**

**U.S. PATENT DOCUMENTS**

689,764 A \* 12/1901 Titus ..... F16G 13/12  
D11/12  
1,822,393 A \* 9/1931 Fassnacht ..... A44C 5/02  
63/4  
D236,592 S \* 9/1975 Portmann ..... D10/32  
D248,219 S \* 6/1978 Porsche ..... D10/32  
D335,638 S \* 5/1993 Butler ..... D11/3  
D384,904 S \* 10/1997 Lassigne ..... D11/12  
D391,885 S \* 3/1998 Kennedy ..... D11/12

D443,844 S \* 6/2001 Versace ..... D11/3  
D447,077 S \* 8/2001 Sakamaki ..... D11/3  
D469,377 S \* 1/2003 Lee  
D510,049 S \* 9/2005 Monachon ..... D11/3  
D538,183 S \* 3/2007 Lassigne ..... D10/32  
D649,889 S \* 12/2011 Giannini ..... D10/32  
D761,130 S \* 7/2016 Soares ..... D10/32  
D769,764 S \* 10/2016 Mille ..... D11/3  
D793,271 S \* 8/2017 Cerrato  
D818,864 S \* 5/2018 Yu ..... D11/3  
D847,012 S \* 4/2019 Akana ..... D11/3  
D852,666 S \* 7/2019 Akana ..... D11/13  
D874,310 S \* 2/2020 DiMartini ..... D11/3  
D885,231 S \* 5/2020 Laucella ..... D11/3

(Continued)

**OTHER PUBLICATIONS**

Wolait Metal Band Compatible with Apple Watch, available for sale since at least Nov. 30, 2020, online. URL:<"https://www.amazon.com/Wolait-Stainless-Smartwatch-Compatible-Replacement/dp/B08PBLG94J"> acquired on Mar. 24, 2022. (Year: 2020).\*

*Primary Examiner* — Llorelys Martinez

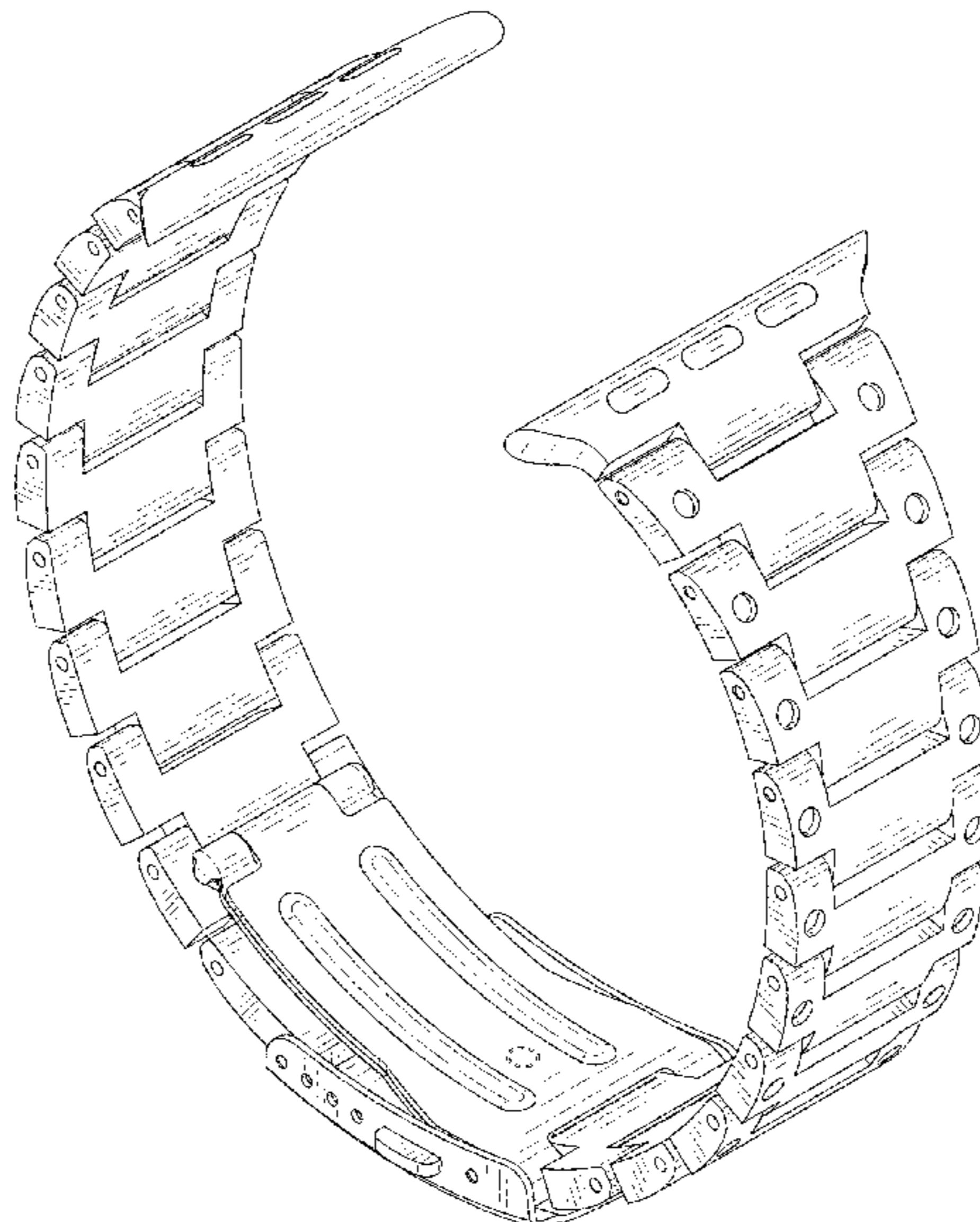
(57) **CLAIM**

The ornamental design for a watch band, as shown and described.

**DESCRIPTION**

FIG. 1 is a perspective view of a watch band showing my new design;  
FIG. 2 is another perspective view thereof;  
FIG. 3 is a front elevational view thereof;  
FIG. 4 is a rear elevational view thereof;  
FIG. 5 is a left side elevational view thereof;  
FIG. 6 is a right side elevational view thereof;  
FIG. 7 is a top plan view thereof; and,  
FIG. 8 is a bottom plan view thereof.  
The broken lines in the drawings depict portions of the watch band that form no part of the claimed design.

**1 Claim, 8 Drawing Sheets**



(56)

**References Cited**

U.S. PATENT DOCUMENTS

D913,141 S \* 3/2021 Li ..... D11/3  
2018/0352915 A1 \* 12/2018 Yamashita ..... A44C 5/24

\* cited by examiner

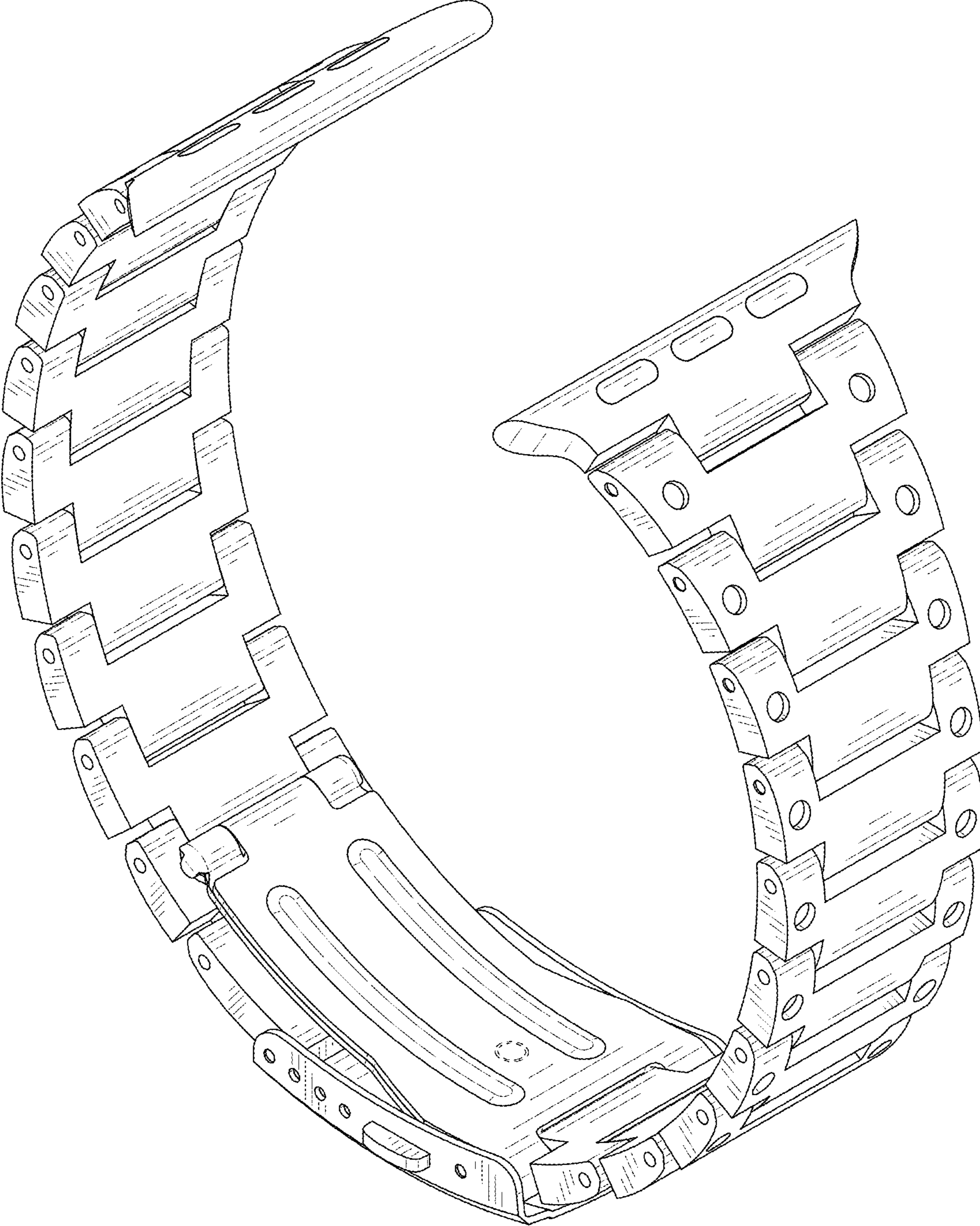


FIG. 1

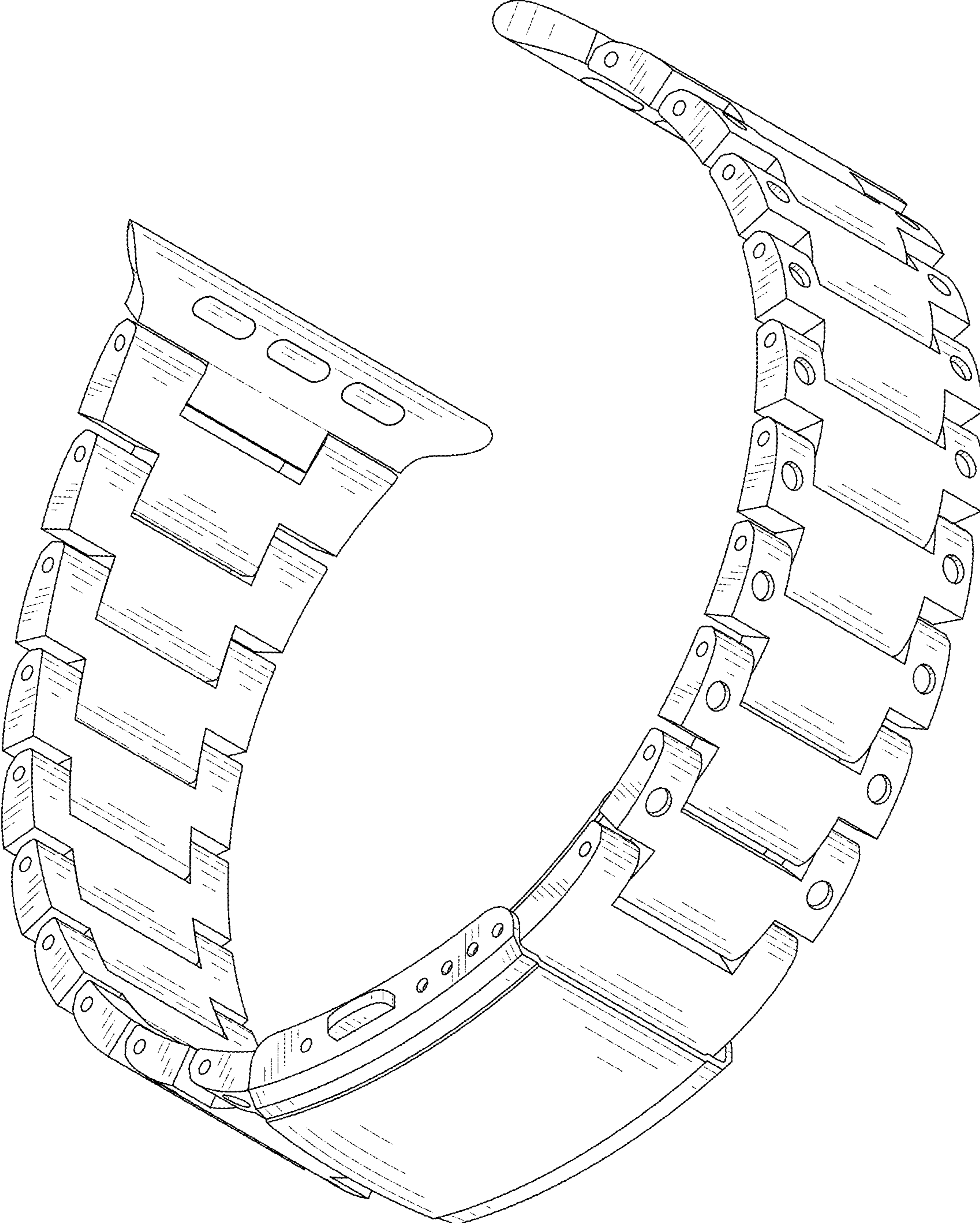


FIG. 2

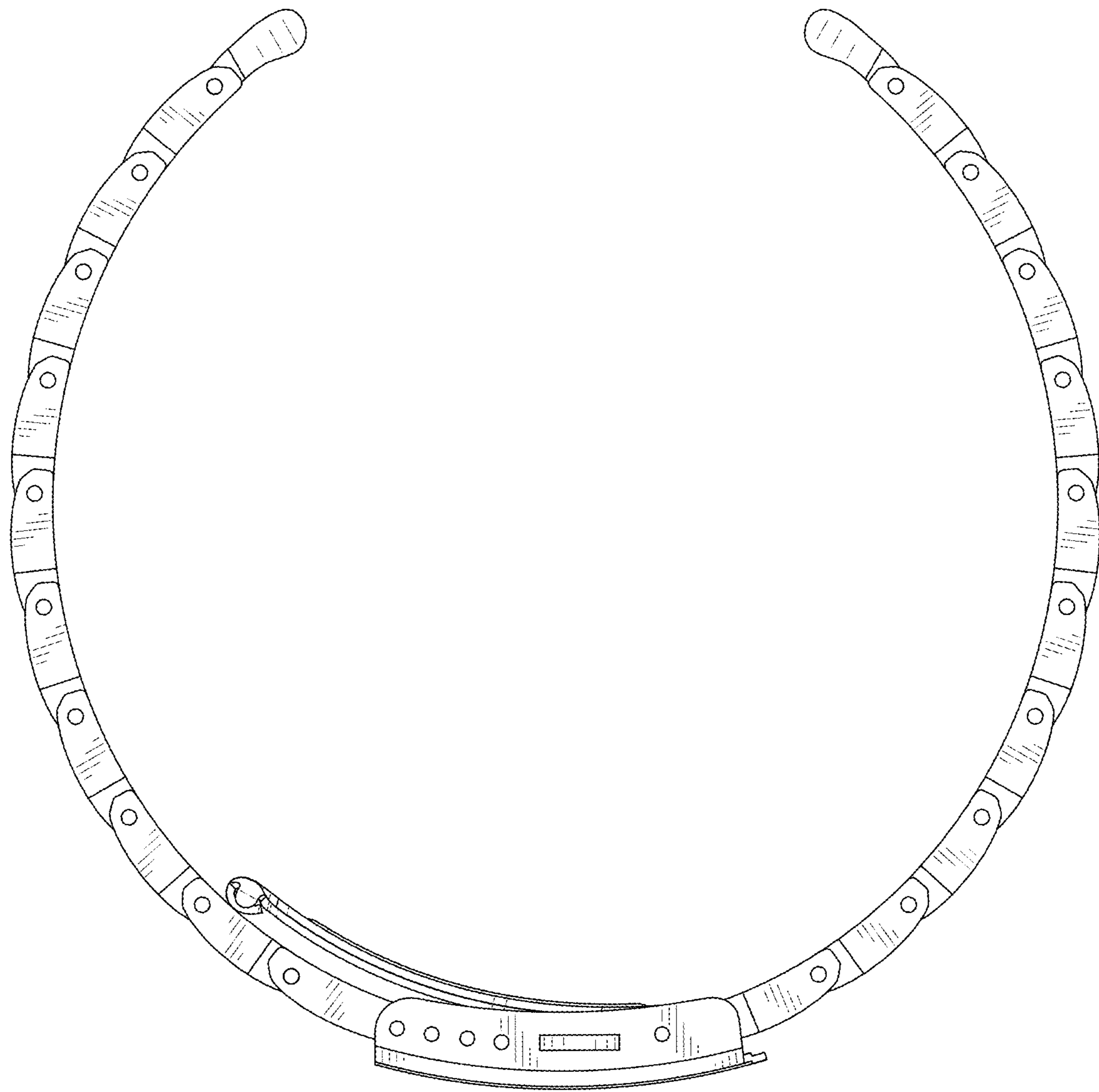


FIG. 3

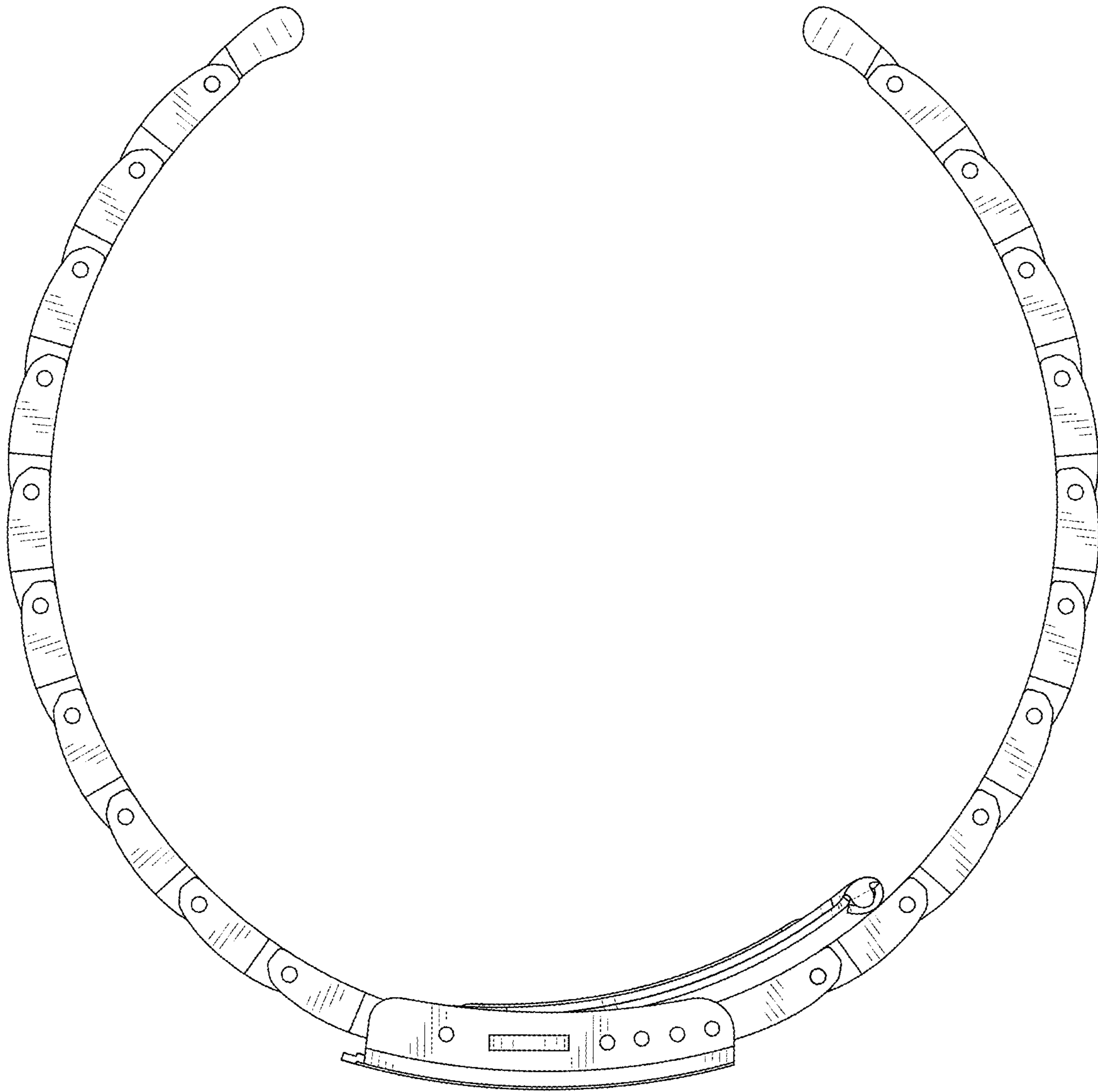


FIG. 4

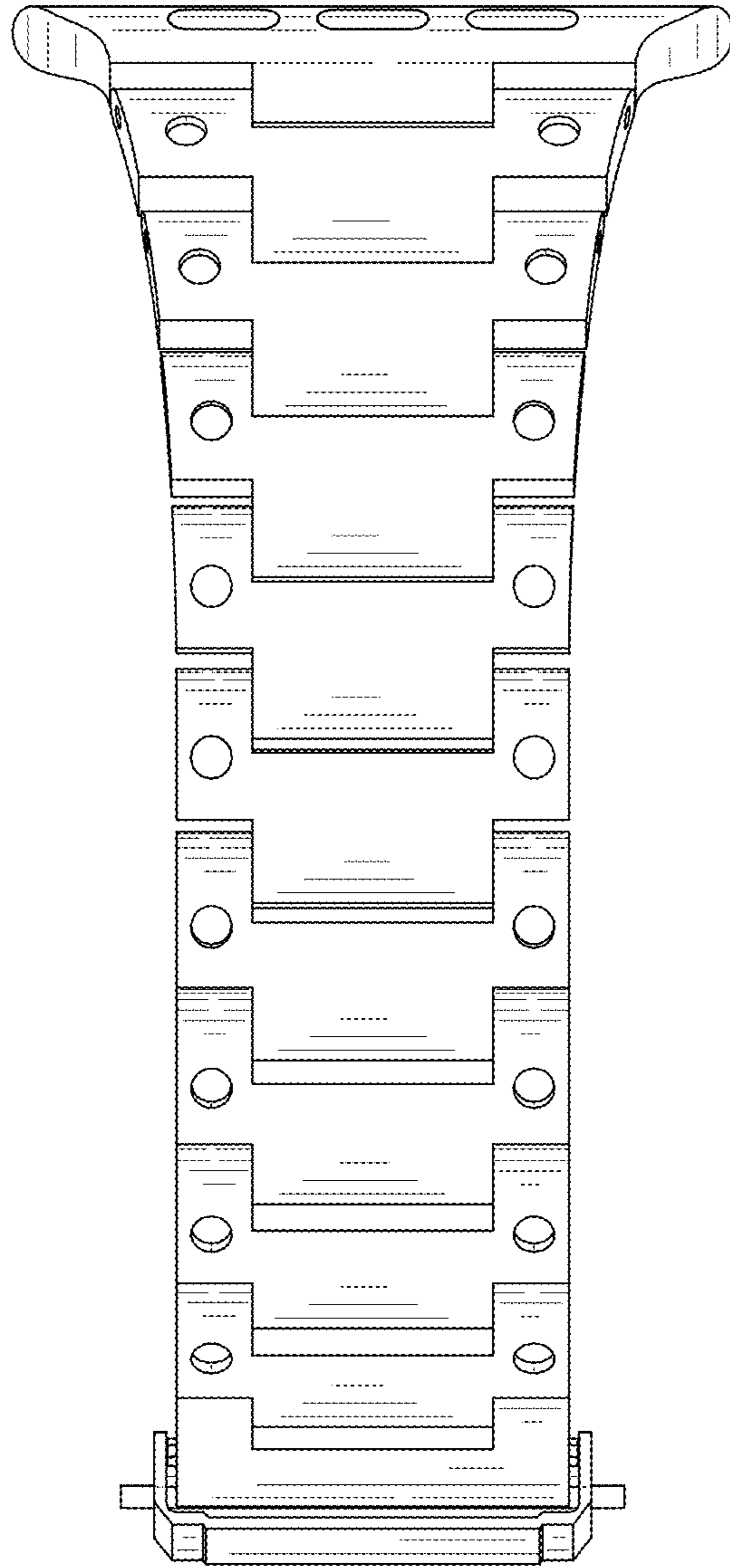


FIG. 5

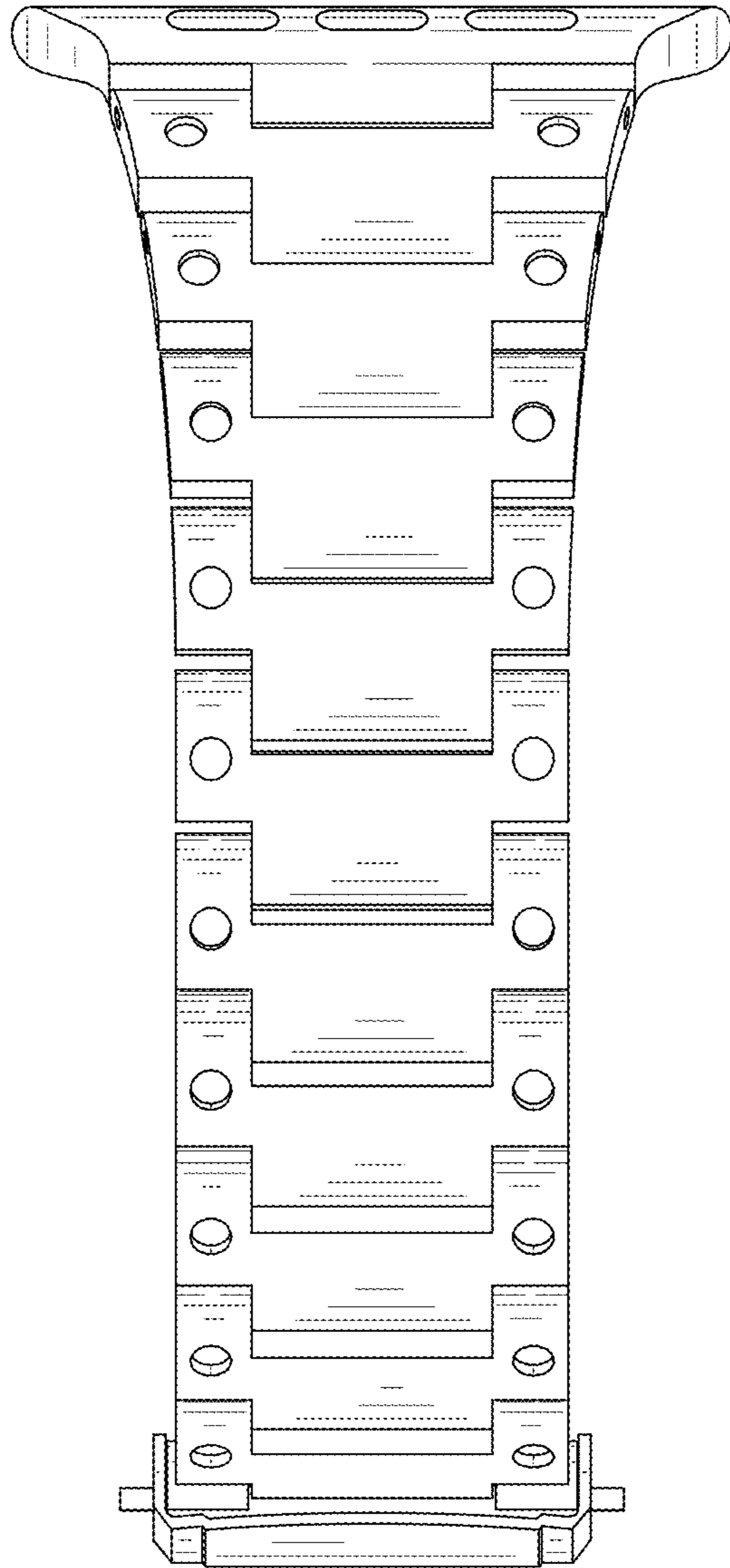


FIG. 6



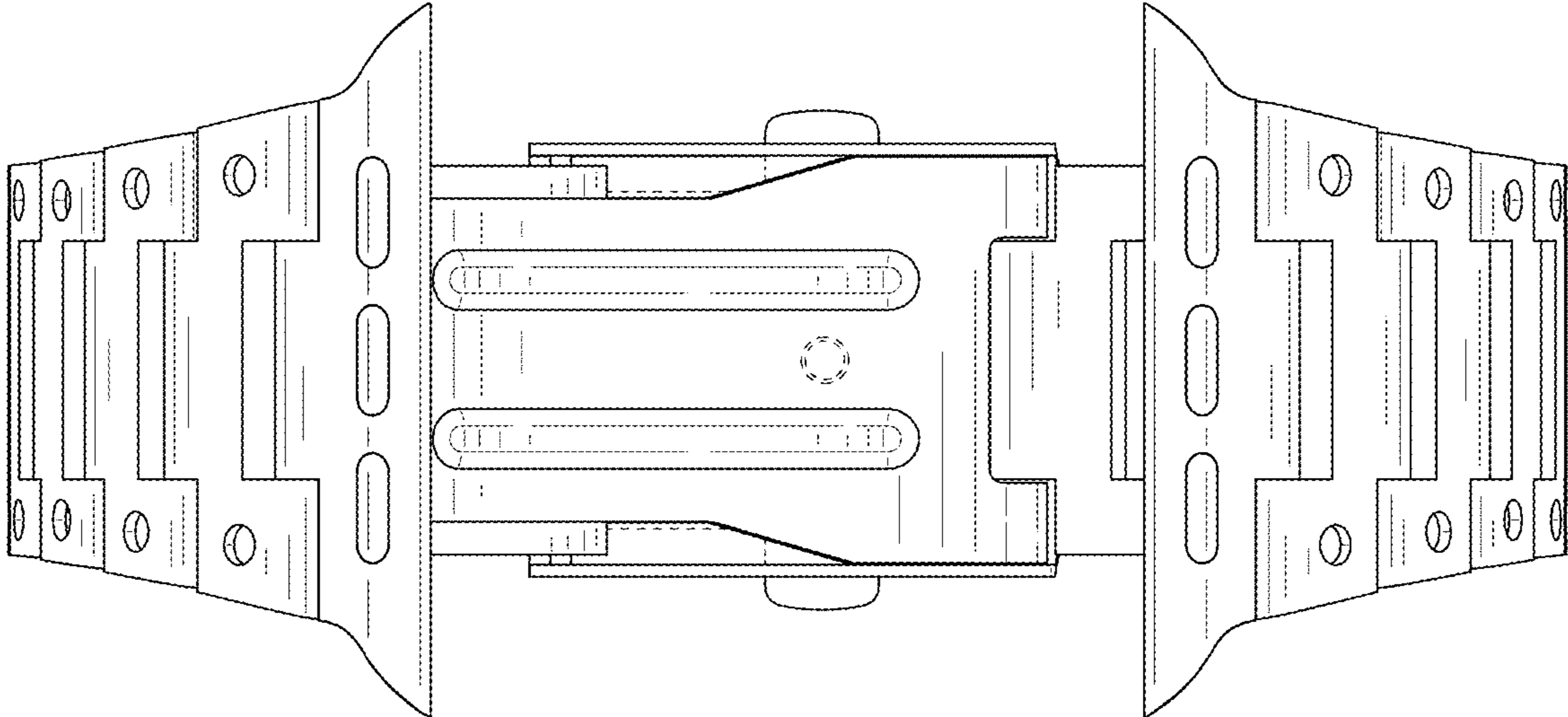


FIG. 7

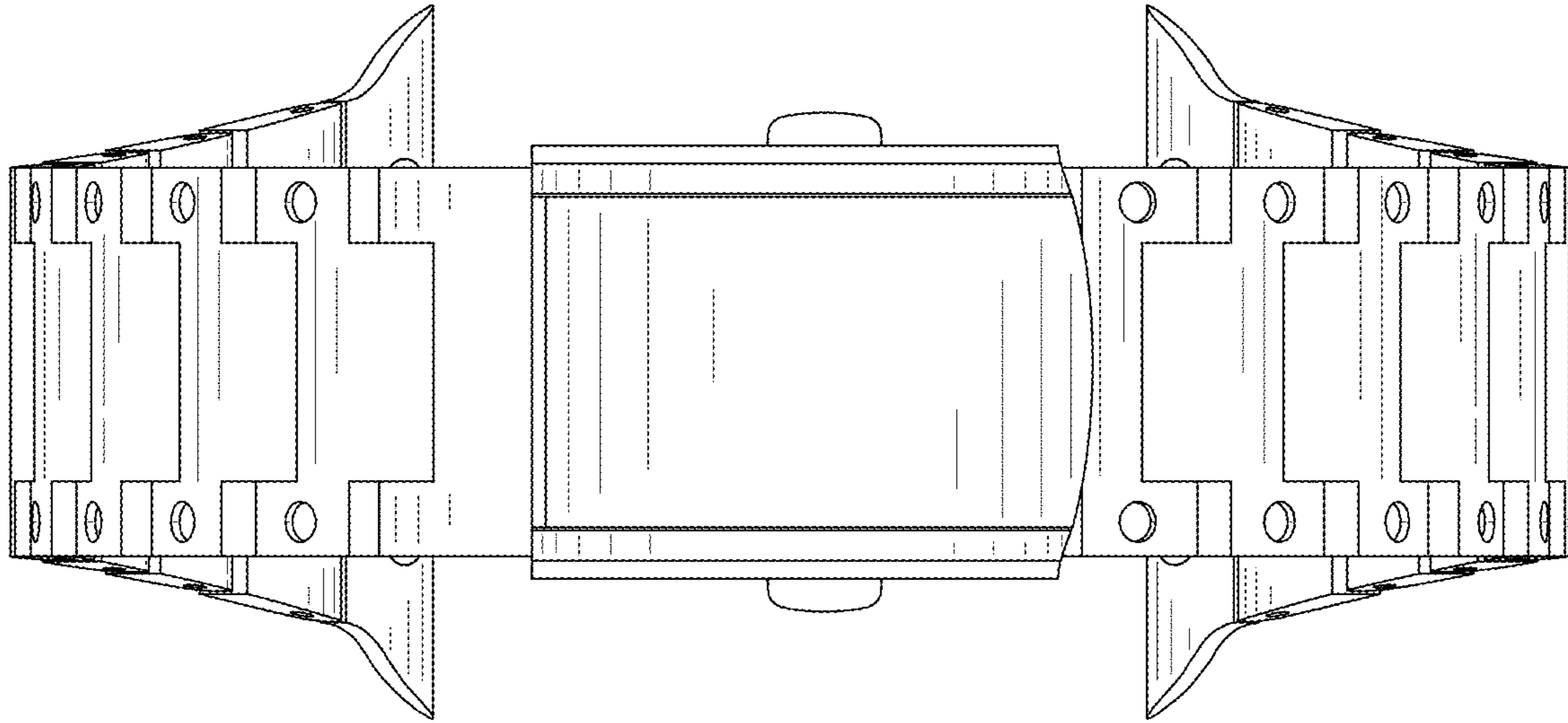


FIG. 8