

US00D964874S

(12) **United States Design Patent** (10) **Patent No.:** **US D964,874 S**
Ke (45) **Date of Patent:** **** Sep. 27, 2022**

(54) **BLUETOOTH BEACON**
(71) Applicant: **MOKO TECHNOLOGY LTD.,**
Shenzhen (CN)
(72) Inventor: **Guang Ke, Shenzhen (CN)**
(**) Term: **15 Years**
(21) Appl. No.: **29/756,611**

D928,110 S * 8/2021 Ouyang D10/70
D956,041 S * 6/2022 Min D14/341
2018/0146134 A1* 5/2018 Tyson H04N 7/147
2020/0379076 A1* 12/2020 Harvey G01S 1/703
2021/0033692 A1* 2/2021 Harvey G08B 25/08

FOREIGN PATENT DOCUMENTS

CN 305938973 * 2/2020
CN 307002814 * 6/2021
(Continued)

(22) Filed: **Oct. 29, 2020**
(51) **LOC (13) Cl.** **10-05**
(52) **U.S. Cl.**
USPC **D10/104.1**
(58) **Field of Classification Search**
USPC D10/96-103, 83-86, 81, 70, 61,
D10/118-118.2, 104.1-106.95, 106.9;
D14/341, 356, 383, 155
CPC H04W 4/20; H04W 4/38; H04W 4/021;
H04W 4/70; H04W 4/80; H04W 4/02;
H04W 4/029; H04L 67/306; H04L 67/52;
H04L 67/10; H04L 67/535; H04L 67/04;
H04L 67/563; H04L 67/12; G01N
33/0009; G08B 21/14; G01S 5/0294;
G01S 5/0063; H04Q 2209/40; H04Q
2209/50; H04Q 9/00
See application file for complete search history.

OTHER PUBLICATIONS

Moko Smart, H3 Beacon Card, Date first available from wayback
date Nov. 26, 2020 [online]retrieved Jul. 13, 2022, available from
wayback <https://web.archive.org/web/20201126202637/https://www.mokosmart.com/h3-card-beacon/> (Year: 2020).*
(Continued)

Primary Examiner — Keli L Hill
Assistant Examiner — Sara S Sahneh

(57) **CLAIM**

The ornamental design for a Bluetooth beacon, as shown and described.

DESCRIPTION

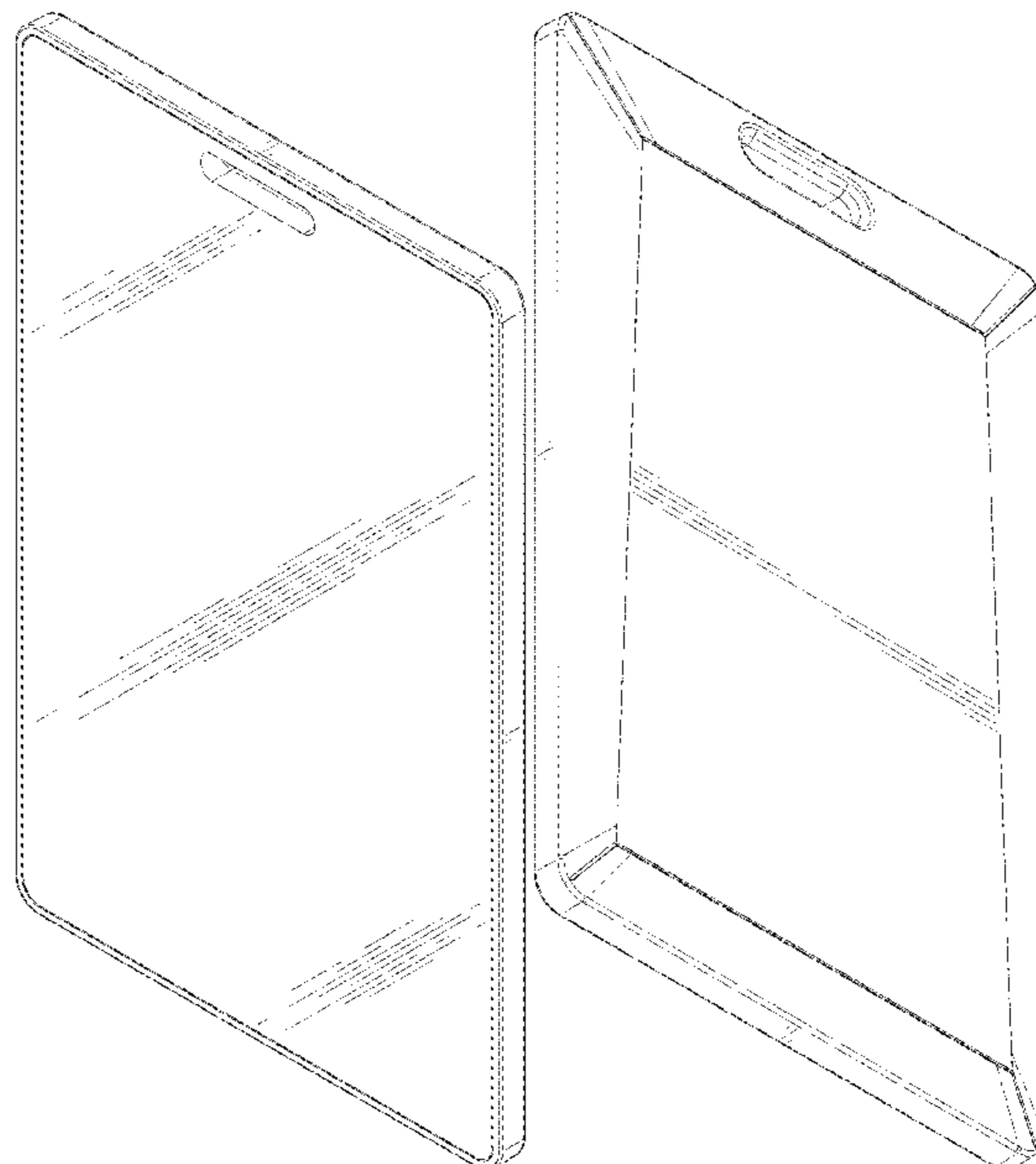
FIG. 1 is a front, right side, top perspective view of a Bluetooth beacon showing my new design;
FIG. 2 is a rear, left side, bottom perspective view thereof;
FIG. 3 is a front elevational view thereof;
FIG. 4 is a rear elevational view thereof;
FIG. 5 is a left side elevational view thereof;
FIG. 6 is a right side elevational view thereof;
FIG. 7 is a top plan view thereof; and,
FIG. 8 is a bottom plan view thereof.
The broken lines depict portions of the Bluetooth beacon that form no part of the claimed design.

(56) **References Cited**

U.S. PATENT DOCUMENTS

D669,531 S * 10/2012 Kong D19/113
D694,658 S * 12/2013 Avidor D10/70
9,903,545 B1 * 2/2018 Roberson G02F 1/13338
D836,474 S * 12/2018 Cannell D10/104.1
D862,265 S * 10/2019 Cannell D10/104.1
D901,319 S * 11/2020 Fuentes D10/114.2
D916,678 S * 4/2021 Du D14/155
D928,004 S * 8/2021 Nguyen D10/104.1

1 Claim, 8 Drawing Sheets



(56)

References Cited

FOREIGN PATENT DOCUMENTS

CN 307406934 * 9/2021
GB 9008213730-0001 * 10/2020

OTHER PUBLICATIONS

Beacon+, Beacons trigger and deliver proximity campaigns, Date first available from wayback date May 17, 2022, [online]retrieved Jul. 13, 2020, available from wayback <https://web.archive.org/web/20200517001436/https://beaconplusapp.com/eng/Beacons.html> (Year: 2020).*

* cited by examiner

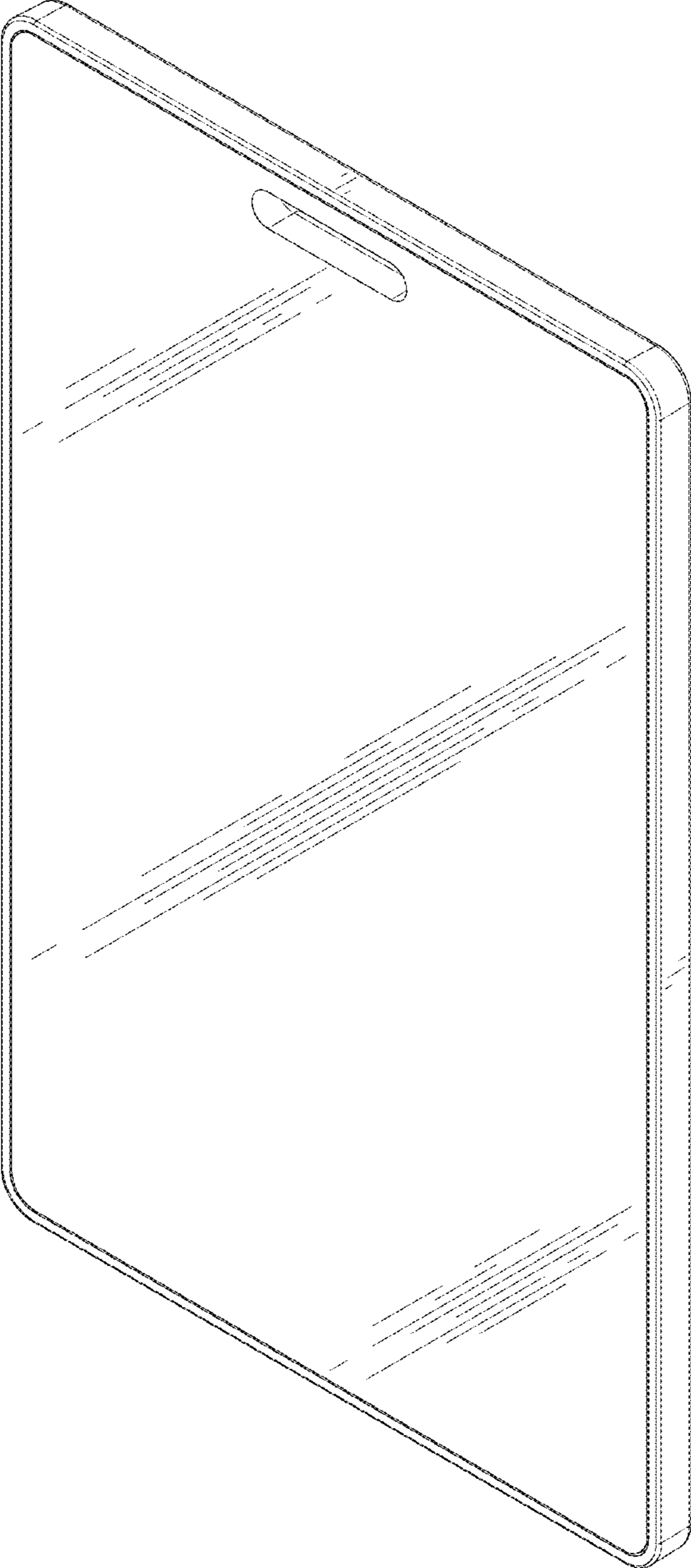


FIG.1

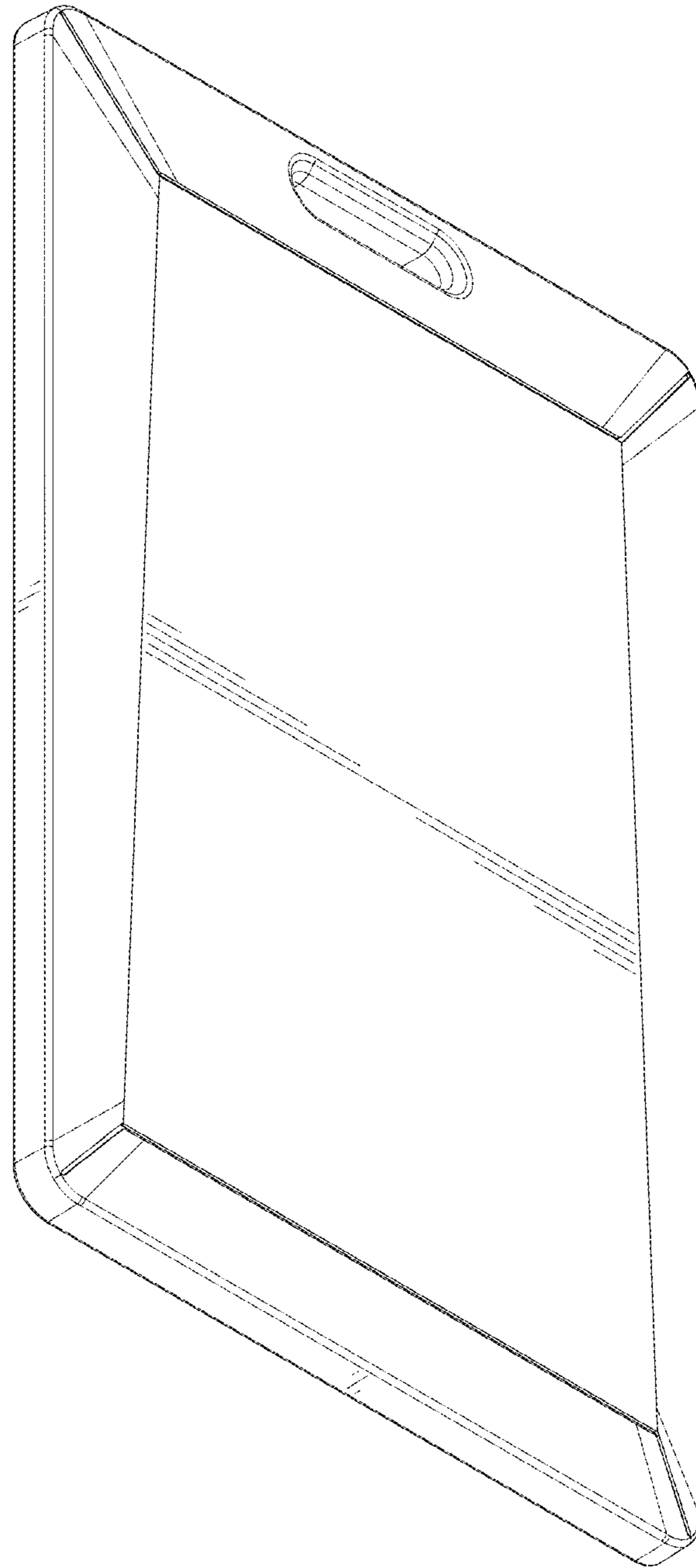


FIG.2

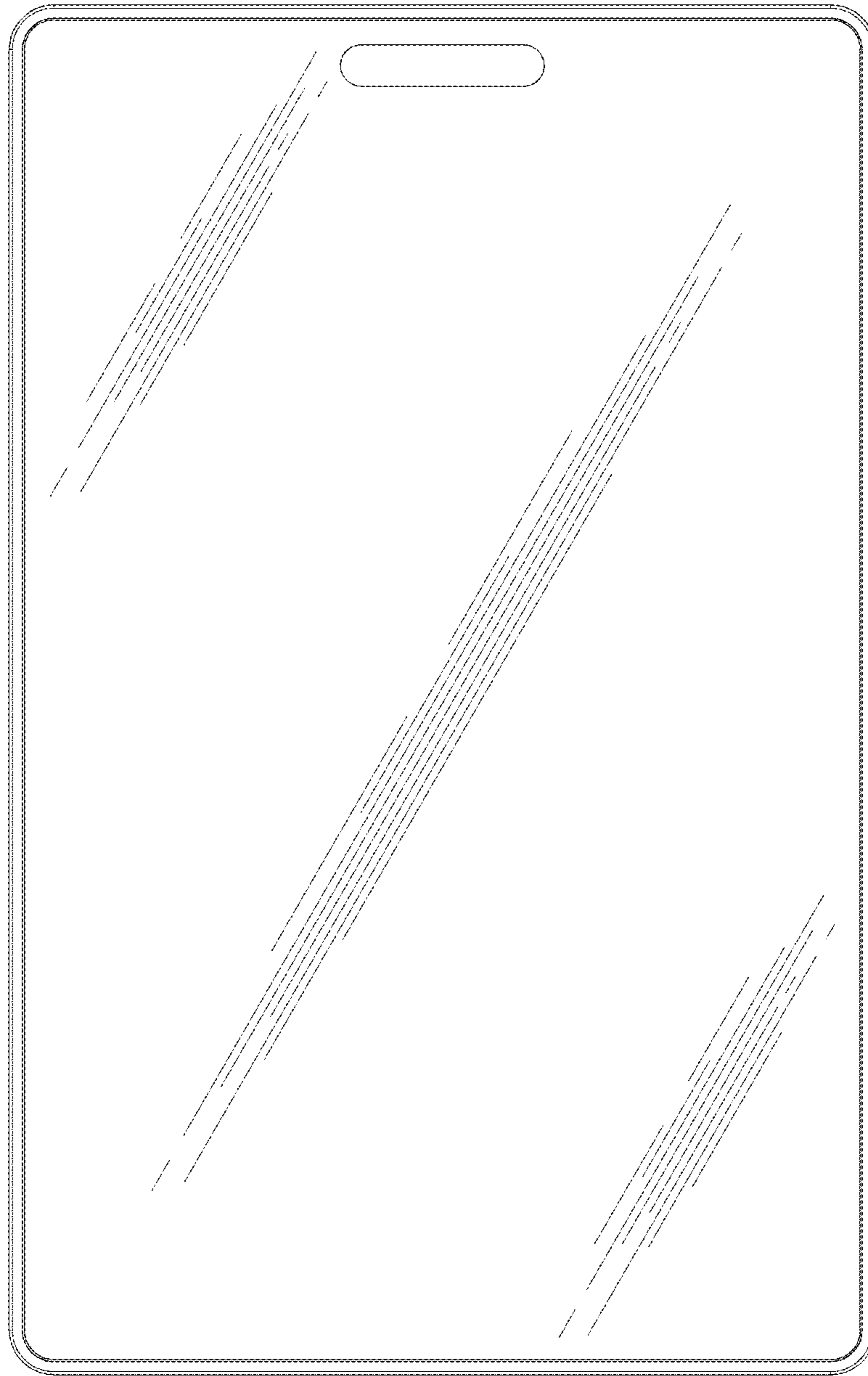


FIG. 3

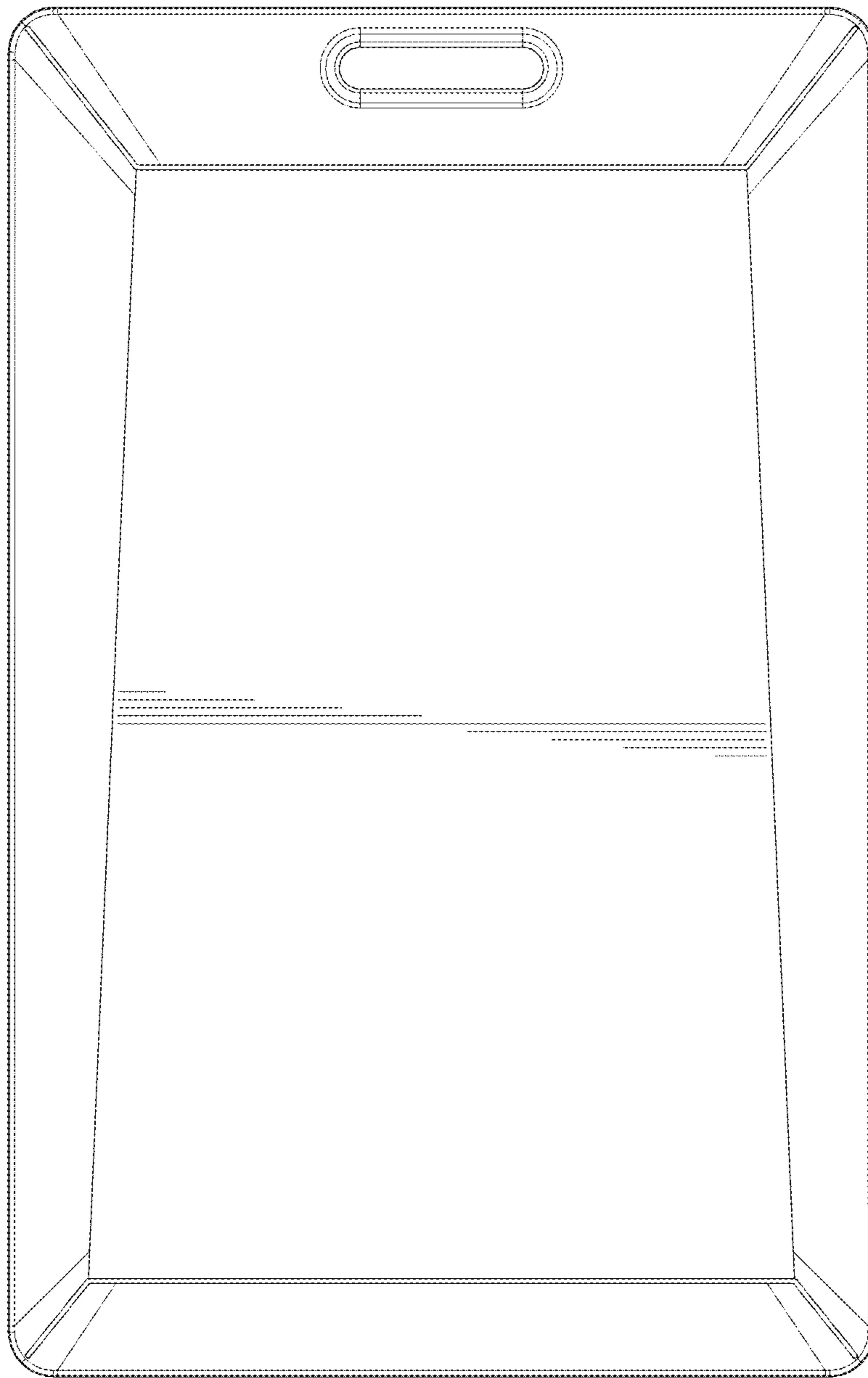


FIG.4

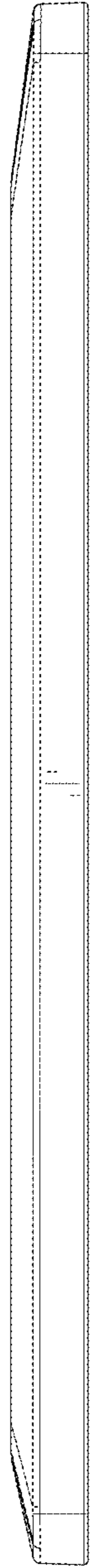


FIG. 5



FIG.6

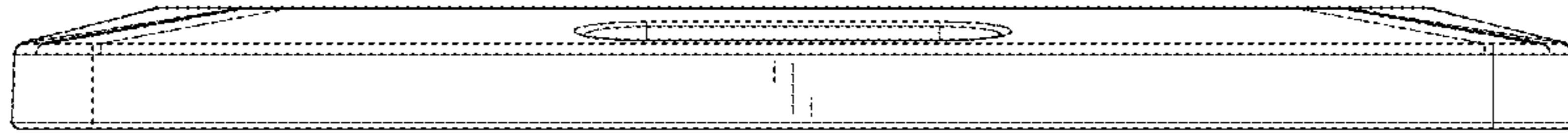


FIG.7

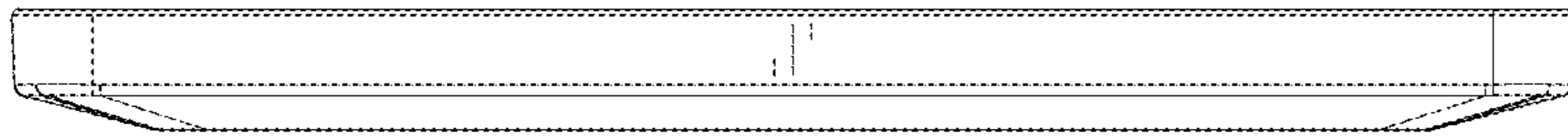


FIG.8