

US00D964872S

(12) **United States Design Patent**  
**Taguchi et al.**

(10) **Patent No.:** **US D964,872 S**

(45) **Date of Patent:** **\*\* Sep. 27, 2022**

(54) **FLOWMETER**

(71) Applicant: **Yokogawa Electric Corporation,**  
Tokyo (JP)

(72) Inventors: **Masaya Taguchi,** Musashino (JP);  
**Ryousuke Nomura,** Musashino (JP)

(\*\*) Term: **15 Years**

(21) Appl. No.: **35/511,734**

(22) Filed: **Oct. 23, 2020**

(80) **Hague Agreement Data**

Int. Filing Date: **Oct. 23, 2020**

Int. Reg. No.: **DM/211126**

Int. Reg. Date: **Oct. 23, 2020**

Int. Reg. Pub. Date: **Apr. 23, 2021**

(51) **LOC (13) Cl.** ..... **10-04**

(52) **U.S. Cl.**  
USPC ..... **D10/96**

(58) **Field of Classification Search**  
USPC ..... D10/96  
CPC ... G01F 1/84; G01F 1/66; G01F 15/06; G01F  
15/14; H01R 13/56

See application file for complete search history.

(56) **References Cited**

U.S. PATENT DOCUMENTS

D302,397 S \* 7/1989 Mesnard ..... D10/96  
D340,876 S \* 11/1993 Shipman ..... D10/99

D343,364 S \* 1/1994 Beulke ..... D10/103  
D343,365 S \* 1/1994 Beulke ..... D10/103  
D349,862 S \* 8/1994 Hausler ..... D10/96  
D350,491 S \* 9/1994 Hausler ..... D10/96  
D358,783 S \* 5/1995 Nemoto ..... D10/96  
D675,121 S \* 1/2013 Azuma ..... D10/96  
D685,661 S \* 7/2013 Fukano ..... D10/96  
D687,730 S \* 8/2013 Fukano ..... D10/96  
D940,578 S \* 1/2022 Jungen ..... D10/96  
2015/0082880 A1\* 3/2015 Allen ..... G01F 15/00  
73/273  
2016/0116316 A1\* 4/2016 Kissling ..... G01F 1/66  
73/861.25  
2020/0173829 A1\* 6/2020 Bell ..... G01F 1/8468  
2021/0223077 A1\* 7/2021 Liu ..... H05K 1/181  
2022/0065674 A1\* 3/2022 Lalla ..... G01F 1/8459

\* cited by examiner

*Primary Examiner* — George D. Kirschbaum

(57) **CLAIM**

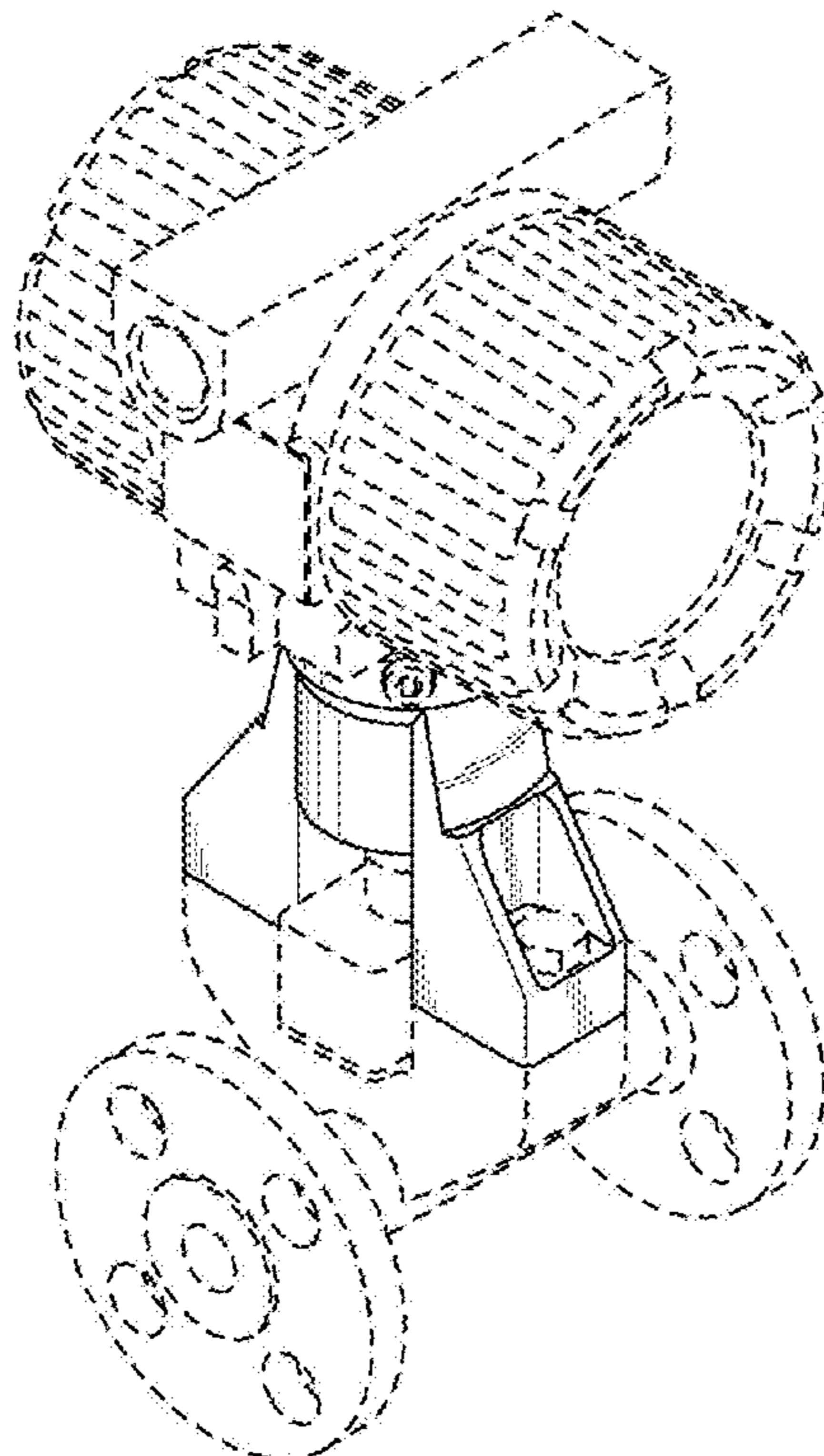
The ornamental design for a flowmeter, as shown and described.

**DESCRIPTION**

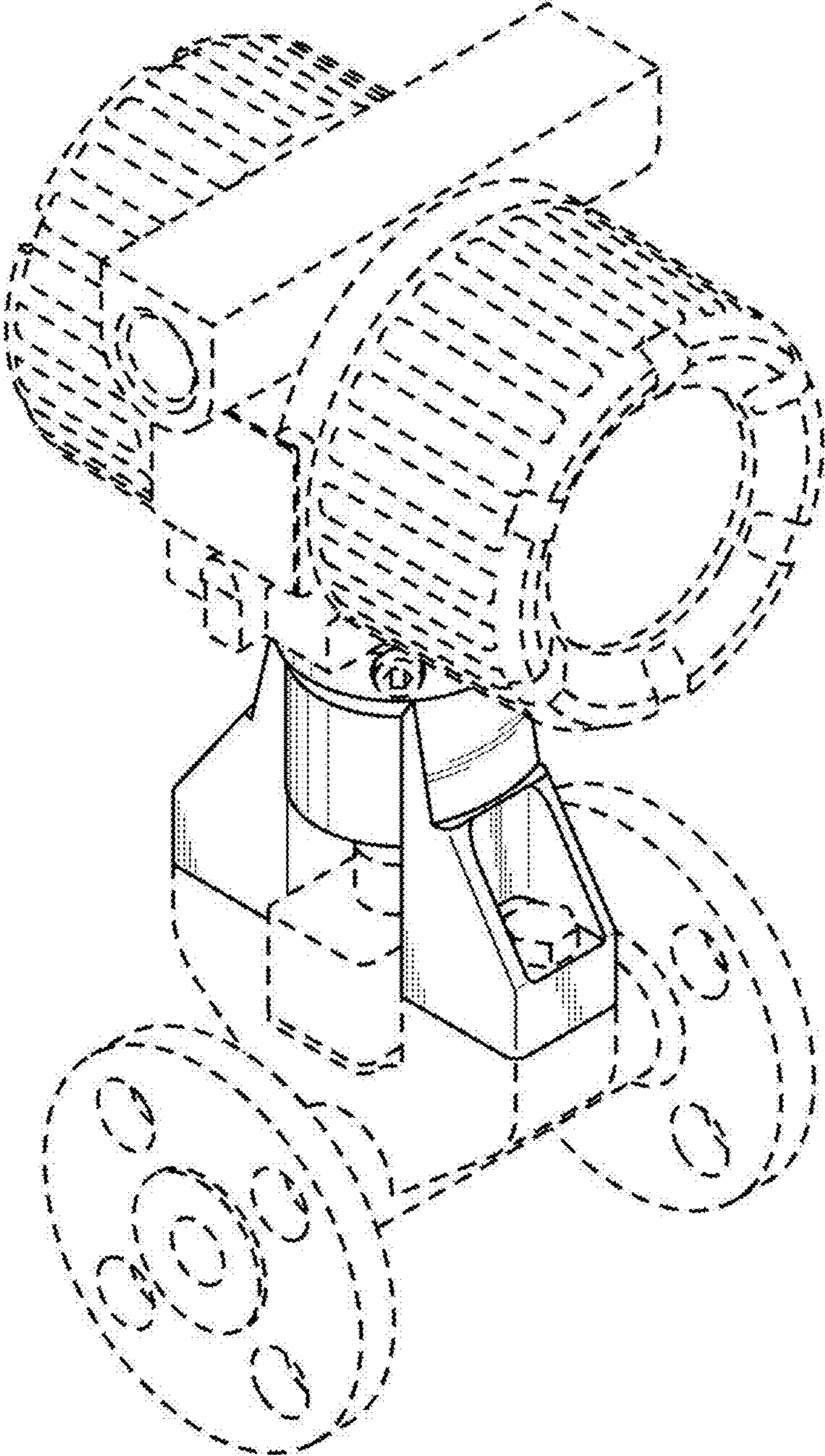
- 1. Flowmeter
- 1.1 : Perspective
- 1.2 : Front
- 1.3 : Back
- 1.4 : Top
- 1.5 : Bottom
- 1.6 : Right
- 1.7 : Left

The broken lines do not form a part of the claimed design.

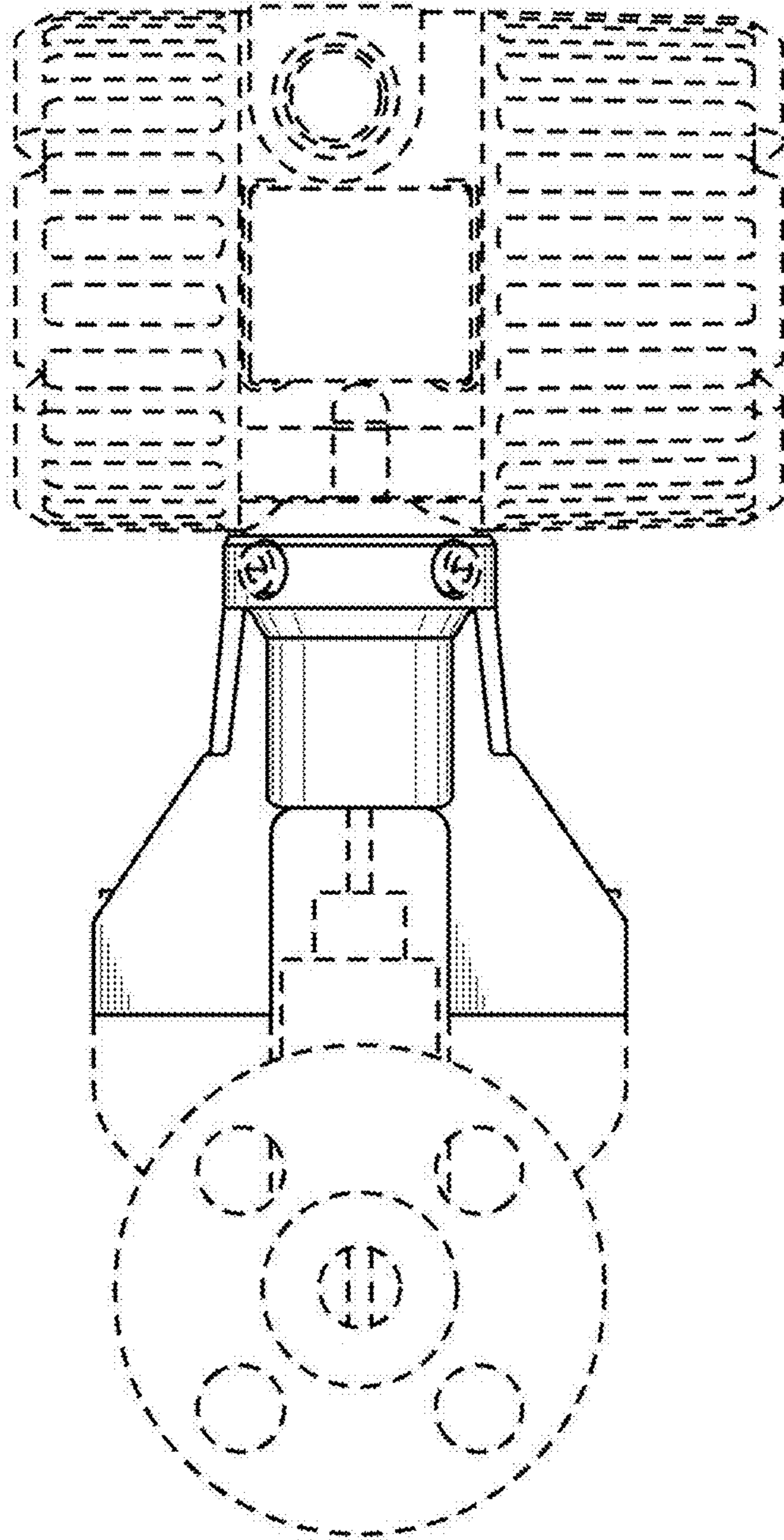
**1 Claim, 7 Drawing Sheets**



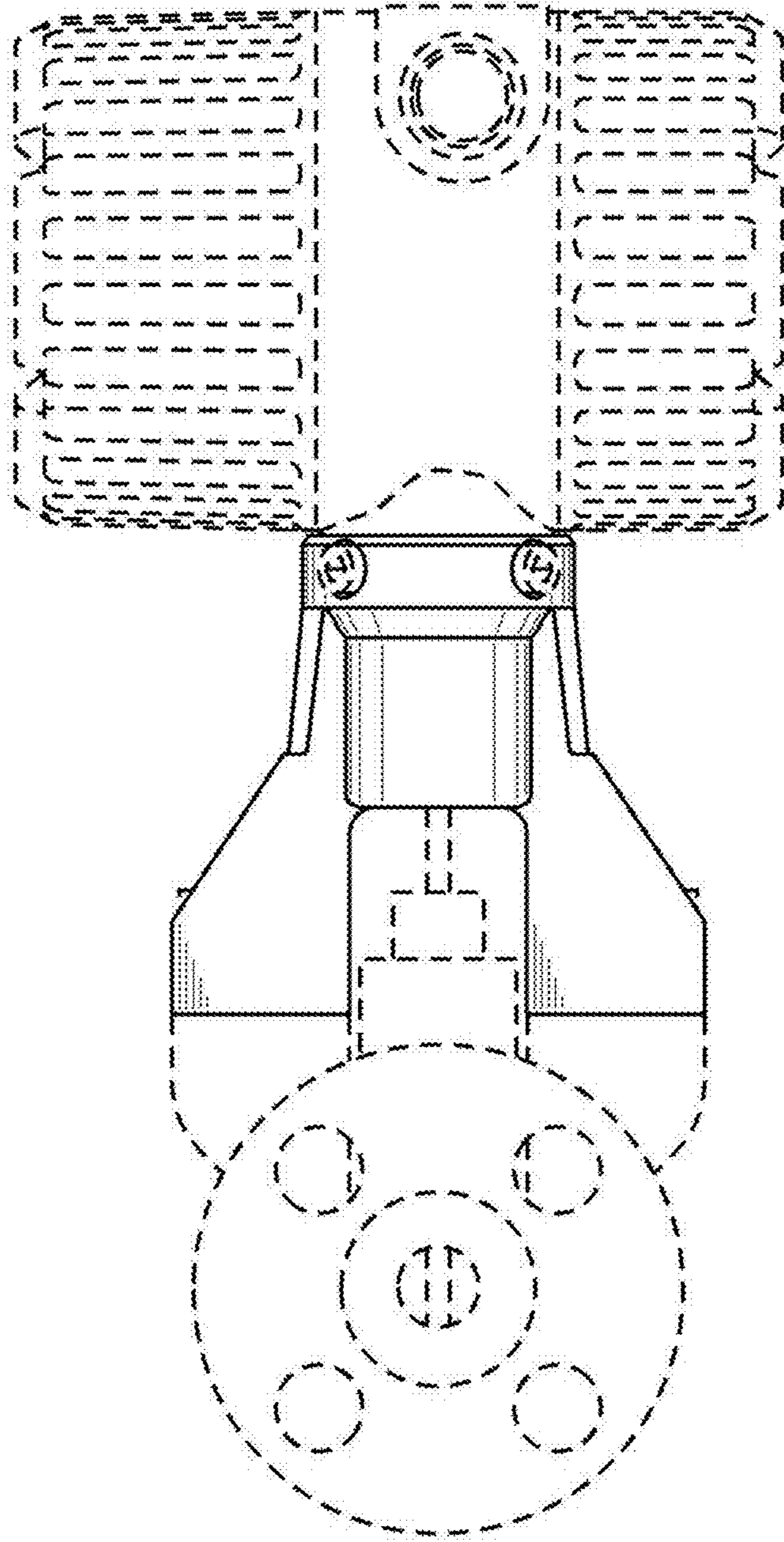
1.1



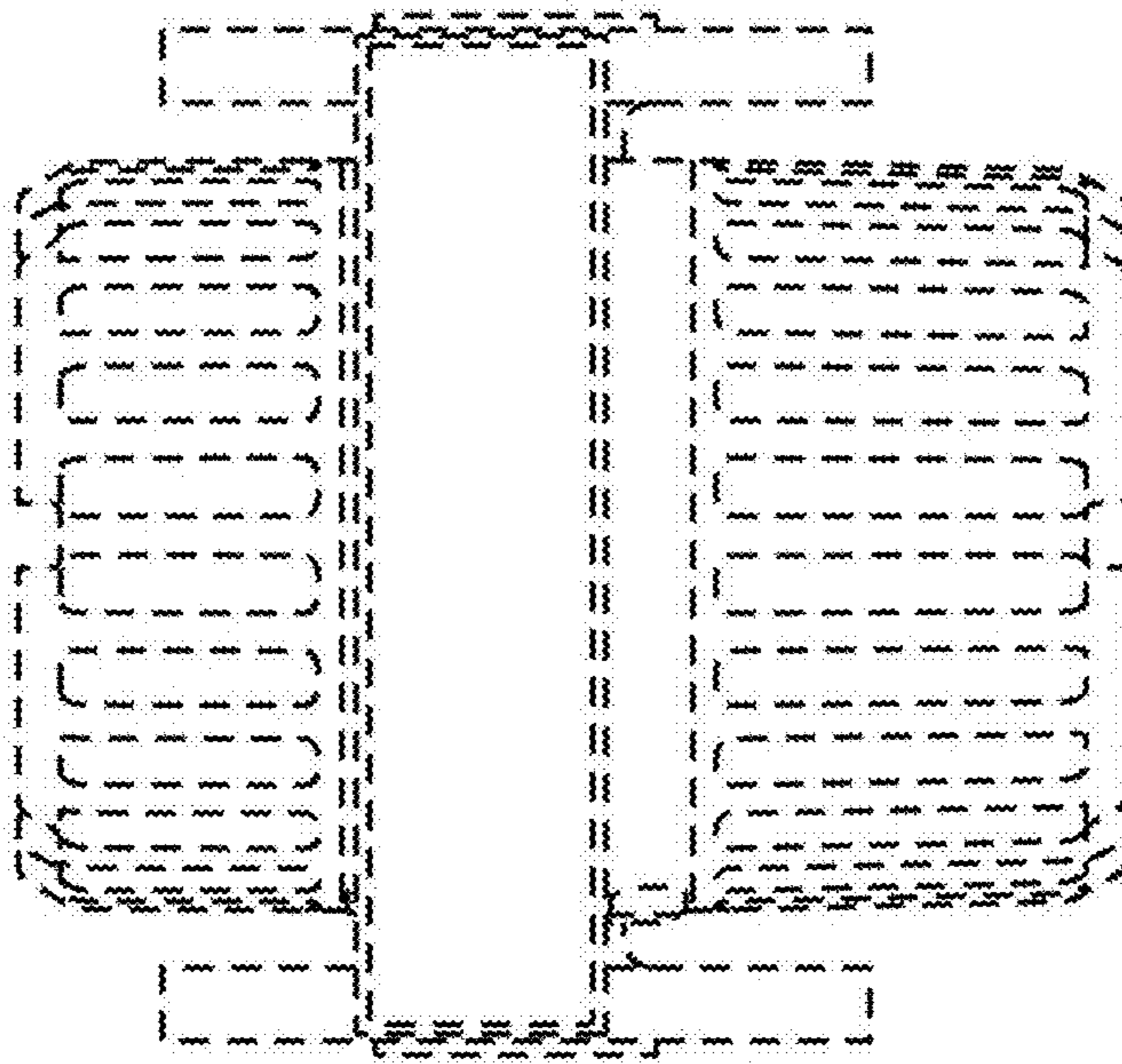
1.2



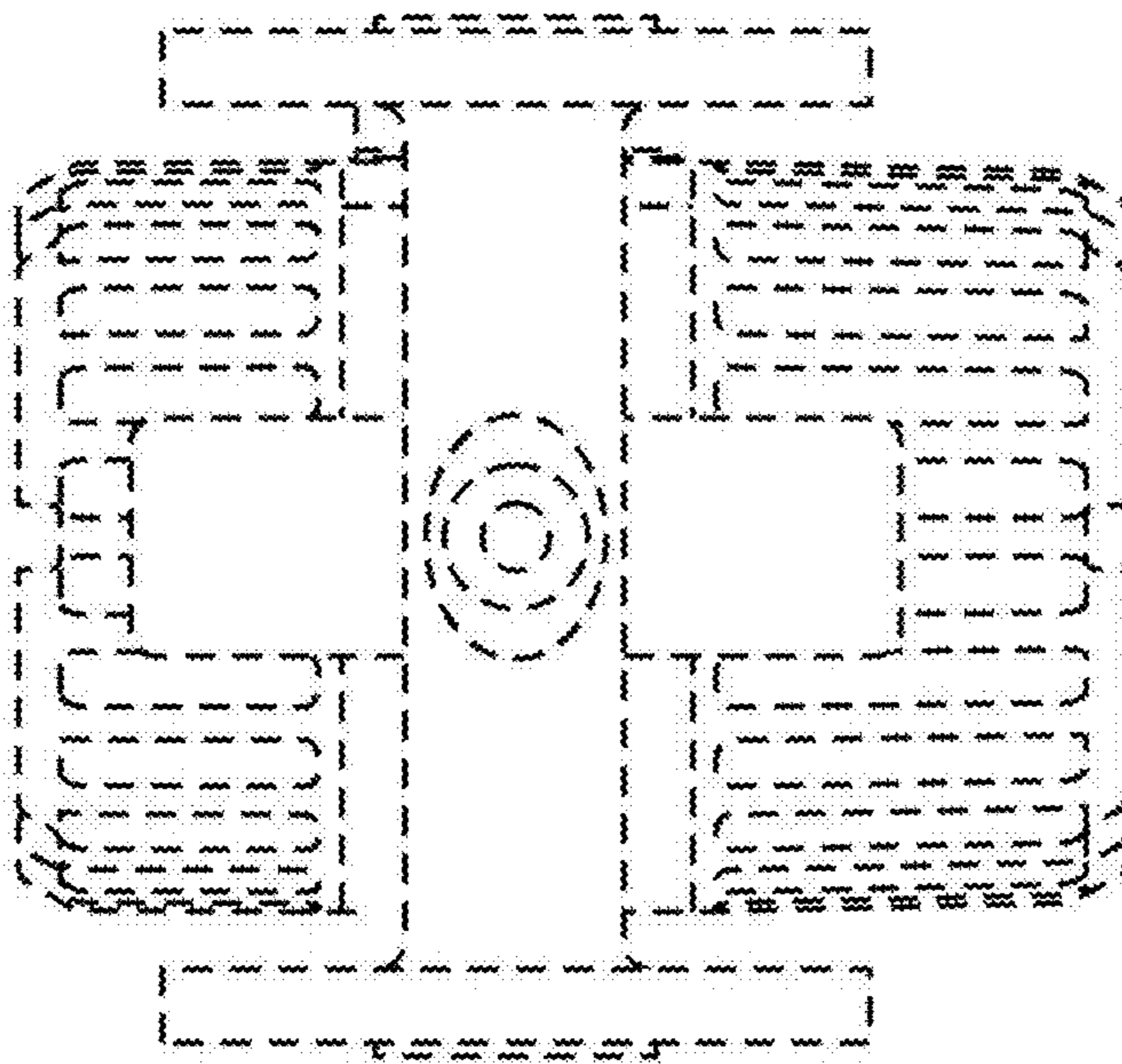
1.3



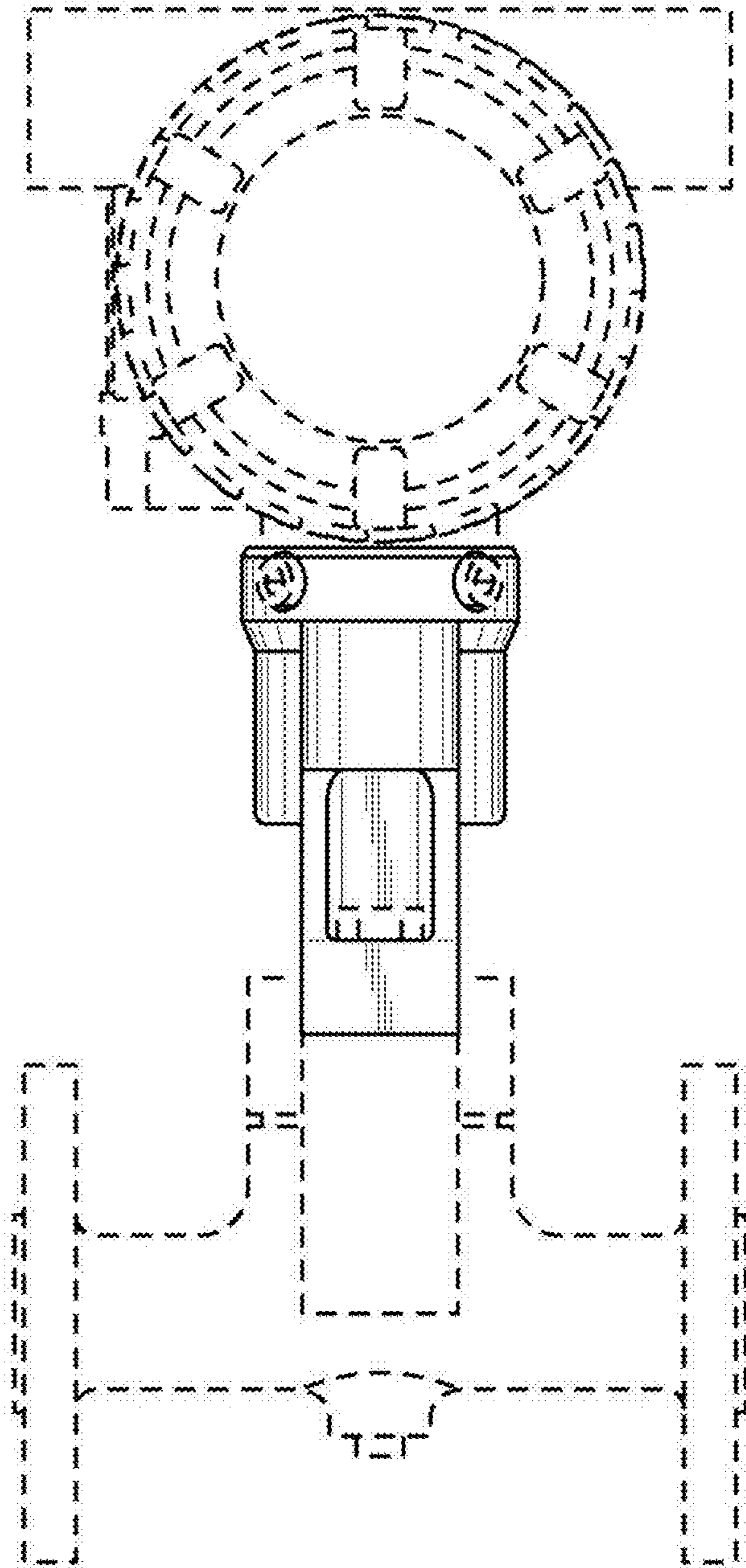
1.4



1.5



1.6



1.7

