

US00D964871S

(12) **United States Design Patent** (10) **Patent No.:** **US D964,871 S**  
**Lu** (45) **Date of Patent:** **\*\* Sep. 27, 2022**

(54) **VEHICLE DIAGNOSTIC DEVICE**  
(71) Applicant: **AUTEL INTELLIGENT TECHNOLOGY CORP., LTD.**,  
Guangdong (CN)  
(72) Inventor: **Boming Lu**, Guangdong (CN)  
(73) Assignee: **AUTEL INTELLIGENT TECHNOLOGY CORP., LTD.**,  
Shenzhen (CN)  
(\*\*) Term: **15 Years**

(21) Appl. No.: **29/779,322**  
(22) Filed: **Apr. 19, 2021**  
(30) **Foreign Application Priority Data**  
Oct. 19, 2020 (CN) ..... 202030621368.6  
(51) **LOC (13) Cl.** ..... **10-04**  
(52) **U.S. Cl.**  
USPC ..... **D10/78**  
(58) **Field of Classification Search**  
USPC ..... D10/96-103, 65-80, 61; D14/383, 357,  
D14/341  
CPC ..... G01R 31/3646; G01R 31/385; G01R  
31/364; G01R 1/04; G01R 5/00; G01R  
7/00; G01R 17/00; G01R 19/00; G01R  
21/00; G01R 22/00; G01R 23/00; G01R  
25/00; G01R 27/00; G01R 1/06788;  
G01R 1/22; H01M 10/4285; H01R 11/11;  
H01R 12/57; H01R 2201/26; H01R  
13/6275; H01R 13/639; Y02E 60/10;  
Y02E 10/72; C02F 1/008; C02F  
2201/326; C02F 2209/001; C02F  
2209/006; C02F 2209/008; H05K 5/0247;  
G07C 5/02; G07C 2205/02; G07C  
5/0808; G07C 5/0825; G07C 5/008;  
G07C 5/00; G07C 5/08; B60R 1/00;  
B60R 3/00; B60R 13/00; B60R 15/00;  
B60R 16/023; B60R 16/00; B60R 16/005;  
G01C

(Continued)

(56) **References Cited**  
U.S. PATENT DOCUMENTS  
D694,752 S \* 12/2013 Li ..... D14/341  
D785,617 S \* 5/2017 Bidwell ..... D14/341  
(Continued)

FOREIGN PATENT DOCUMENTS  
CN 305274322 \* 2/2019  
CN 305365949 \* 3/2019  
(Continued)

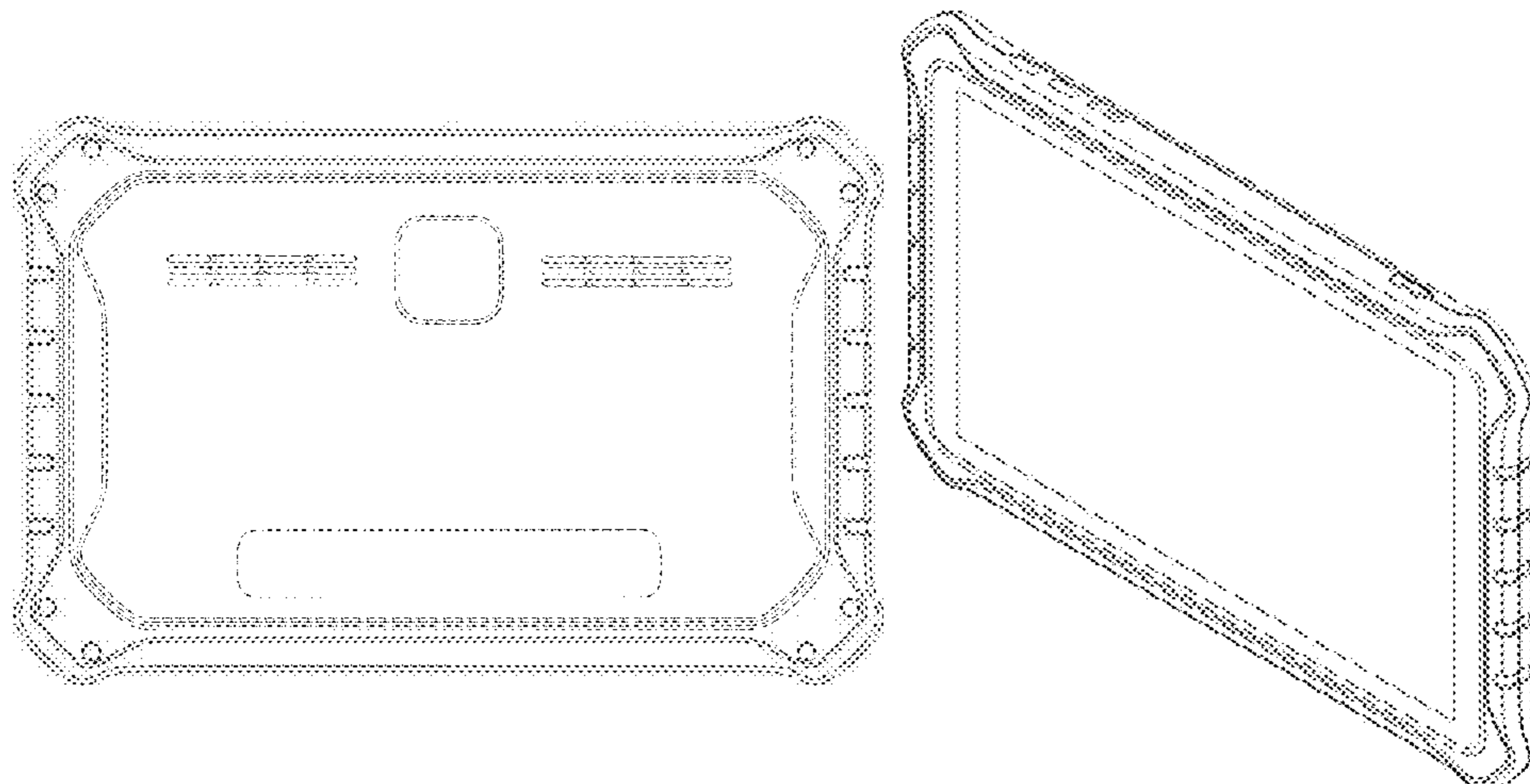
OTHER PUBLICATIONS  
Ancel Store, V6 Pro OBD2 Scanner, Date first available May 31,  
2021, [online]retrieved Mar. 10, 2022, available from [https://www.amazon.com/dp/B094XBL9LZ/ref=sspa\\_dk\\_detail\\_5?psc=1&pd\\_rd\\_w=bt7B5&pf\\_rd\\_p=b9951ce4-3bd8-4b04-9123-0fda35d6155e&pd\\_rd\\_wg=02wGS&pf\\_rd\\_r=Z52S2A02NB51E4GNP9DB&pd\\_rd\\_r=145d38b2-6273-40a](https://www.amazon.com/dp/B094XBL9LZ/ref=sspa_dk_detail_5?psc=1&pd_rd_w=bt7B5&pf_rd_p=b9951ce4-3bd8-4b04-9123-0fda35d6155e&pd_rd_wg=02wGS&pf_rd_r=Z52S2A02NB51E4GNP9DB&pd_rd_r=145d38b2-6273-40a) (Year: 2021).\*  
(Continued)

*Primary Examiner* — Keli L Hill  
*Assistant Examiner* — Sara S Sahneh

(57) **CLAIM**  
I claim the ornamental design for a vehicle diagnostic device, as shown and described.

**DESCRIPTION**  
FIG. 1 is a front elevational view of a vehicle diagnostic device showing my new design;  
FIG. 2 is a back elevational view thereof;  
FIG. 3 is a left side elevational view thereof;  
FIG. 4 is a right side elevational view thereof;  
FIG. 5 is a top plan view thereof;  
FIG. 6 is a bottom plan view thereof; and,  
FIG. 7 is a perspective view thereof.  
The broken line portions in the drawings form no part of the claimed design.

**1 Claim, 4 Drawing Sheets**



(58) **Field of Classification Search**  
 CPC ..... 21/16; G01C 25/00; G01M 15/02; G06F  
 1/1626; G06F 1/166; G06F 1/1656  
 See application file for complete search history.

EM 008305593-0004 \* 12/2020  
 EM 008426993-0001 \* 2/2021  
 GB 6126189 \* 3/2021

(56) **References Cited**

U.S. PATENT DOCUMENTS

D785,618 S \* 5/2017 Schwibner ..... D14/341  
 D830,209 S \* 10/2018 Wang ..... D10/78  
 D837,074 S \* 1/2019 Lu ..... D10/78  
 D840,849 S \* 2/2019 Wang ..... D10/78  
 D864,198 S \* 10/2019 Bidwell ..... D14/341  
 D938,841 S \* 12/2021 Lu ..... D10/78  
 D939,368 S \* 12/2021 Lu ..... D10/78  
 D942,288 S \* 2/2022 Wang ..... D10/78  
 D951,788 S \* 5/2022 Lu ..... D10/78  
 2006/0241829 A1 \* 10/2006 Schmeisser ..... G06F 1/1609  
 701/33.2  
 2006/0241830 A1 \* 10/2006 Schmeisser ..... G06F 1/1626  
 361/752  
 2021/0356989 A1 \* 11/2021 Huang ..... F16M 11/10

FOREIGN PATENT DOCUMENTS

EM 004029809-0001 \* 6/2017  
 EM 005434016-0001 \* 7/2018

OTHER PUBLICATIONS

Ancel Store, Diagnostic Scan Tool, Date first available Jun. 30, 2021, [online]retrieved Mar. 10, 2022,available from [https://www.amazon.com/dp/B0978VC3BK/ref=sspa\\_dk\\_detail\\_1?psc=1&pd\\_rd\\_w=ZN3Me&pf\\_rd\\_p=b9951ce4-3bd8-4b04-9123-0fda35d6155e&pd\\_rd\\_wg=YfHU4&pf\\_rd\\_r=BWTBDZ2430V5XD4HZCFJ&pd\\_rd\\_r=1dc4bb5c-20d6](https://www.amazon.com/dp/B0978VC3BK/ref=sspa_dk_detail_1?psc=1&pd_rd_w=ZN3Me&pf_rd_p=b9951ce4-3bd8-4b04-9123-0fda35d6155e&pd_rd_wg=YfHU4&pf_rd_r=BWTBDZ2430V5XD4HZCFJ&pd_rd_r=1dc4bb5c-20d6) (Year: 2021).\*

Thinktool Store, Diagnostic Scan Tool, Date first available Feb. 15, 2022, [online]retrieved Mar. 10, 2022,available from [https://www.amazon.com/dp/B09PGY8V6T/ref=sspa\\_dk\\_detail\\_4?psc=1&pd\\_rd\\_w=vwKRD&pf\\_rd\\_p=b9951ce4-3bd8-4b04-9123-0fda35d6155e&pd\\_rd\\_wg=sOyh3&pf\\_rd\\_r=RN4T1TJYP5MFWAKBZW0E&pd\\_rd\\_r=82dab2](https://www.amazon.com/dp/B09PGY8V6T/ref=sspa_dk_detail_4?psc=1&pd_rd_w=vwKRD&pf_rd_p=b9951ce4-3bd8-4b04-9123-0fda35d6155e&pd_rd_wg=sOyh3&pf_rd_r=RN4T1TJYP5MFWAKBZW0E&pd_rd_r=82dab2) (Year: 2022).\*

Foxwell Store,All System OBD2 Scanner, Date first available Aug. 15, 2019,[online]retrieved Mar. 10, 2022,available from [https://www.amazon.com/dp/B07WK1XFZL/ref=sspa\\_dk\\_detail\\_6?psc=1&pd\\_rd\\_i=B07WK1XFZL&pd\\_rd\\_w=pGMDP&pf\\_rd\\_p=b9951ce4-3bd8-4b04-9123-0fda35d6155e&pd\\_rd\\_wg=ZohHX&pf\\_rd\\_r=BXQNRENZG12C1PXMZQB](https://www.amazon.com/dp/B07WK1XFZL/ref=sspa_dk_detail_6?psc=1&pd_rd_i=B07WK1XFZL&pd_rd_w=pGMDP&pf_rd_p=b9951ce4-3bd8-4b04-9123-0fda35d6155e&pd_rd_wg=ZohHX&pf_rd_r=BXQNRENZG12C1PXMZQB) (Year: 2019).\*

\* cited by examiner

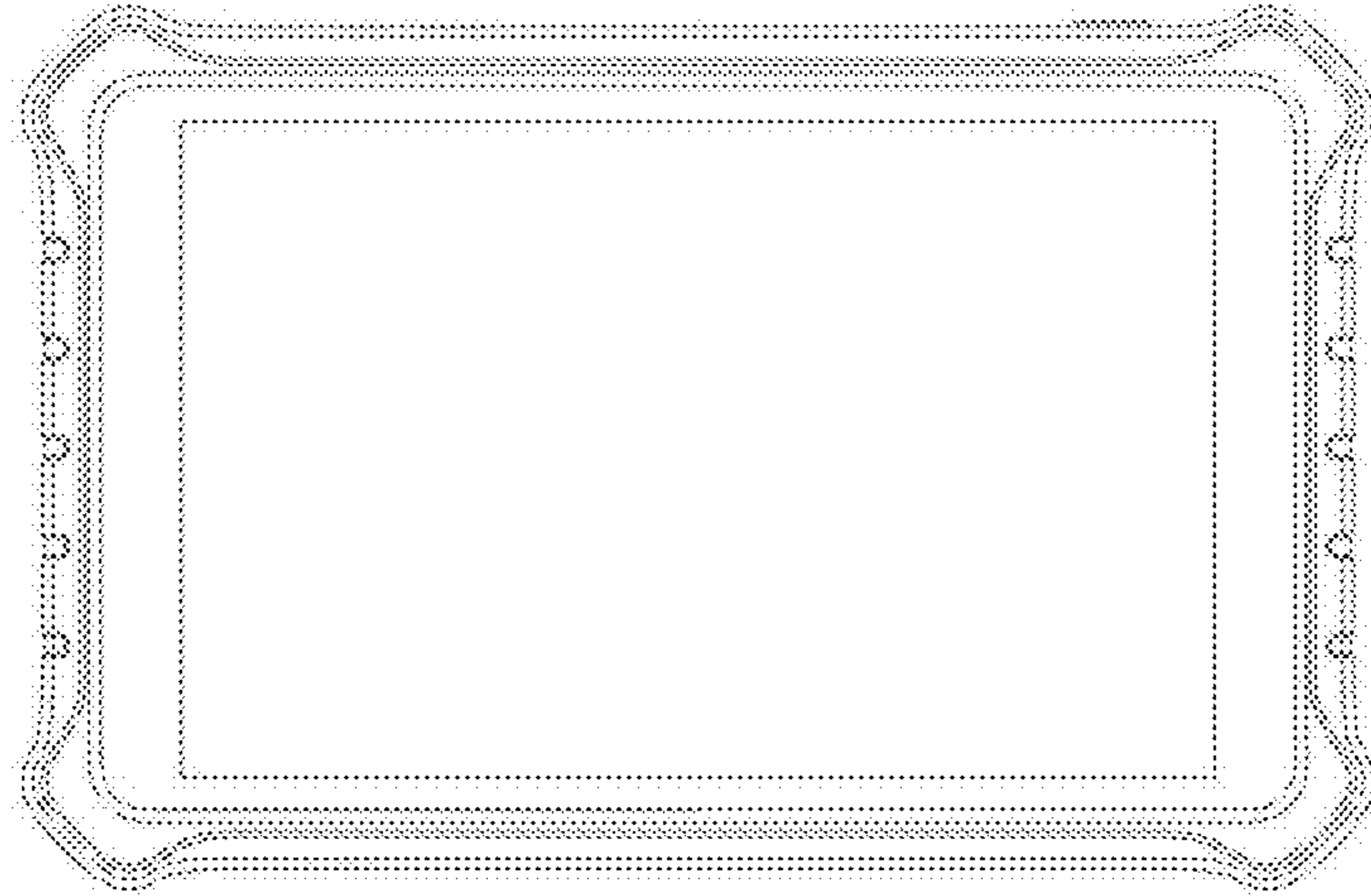


FIG.1

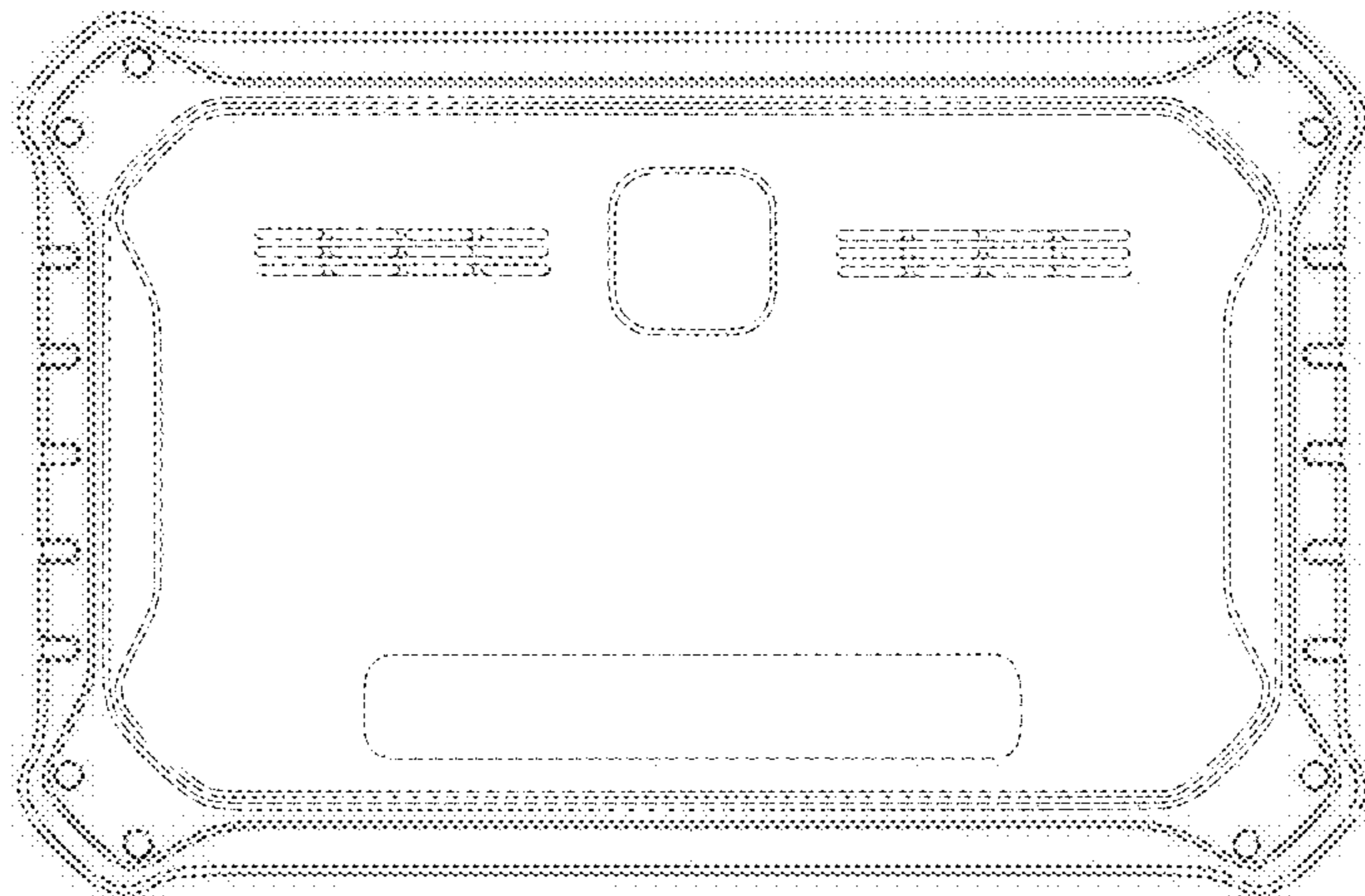


FIG.2



FIG.3



FIG.4

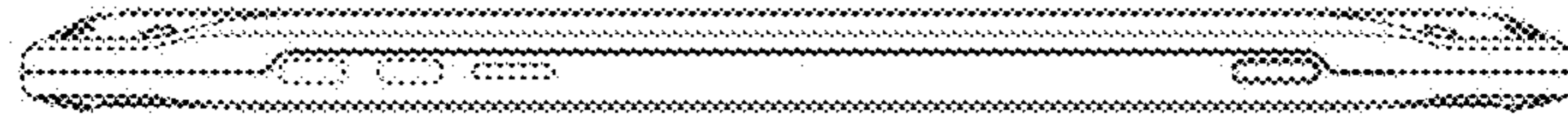


FIG.5

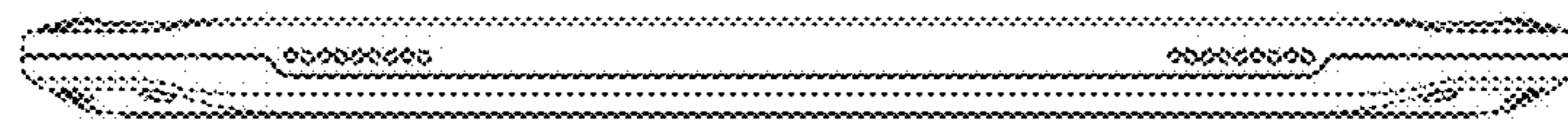


FIG.6

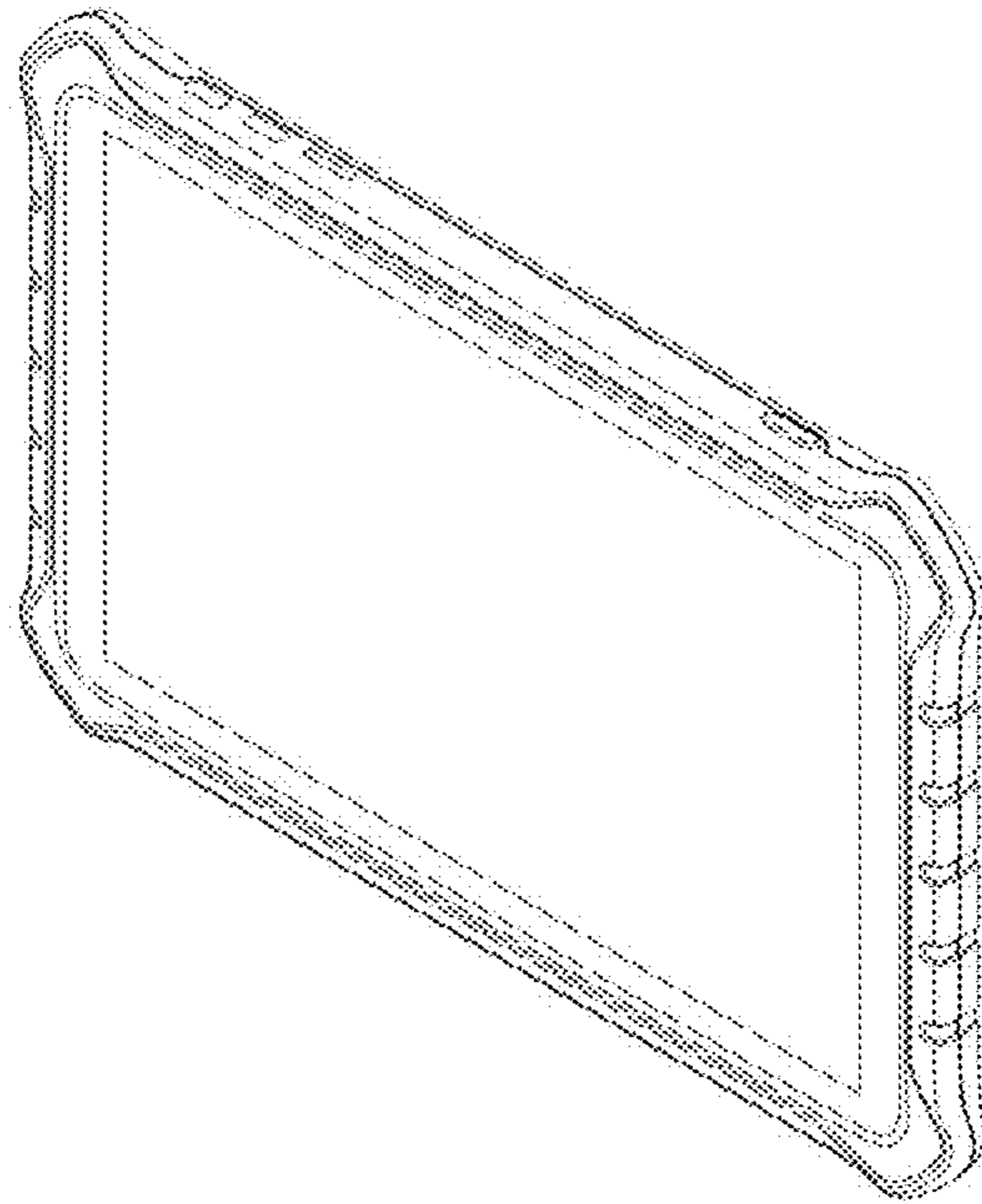


FIG.7