

US00D964869S

(12) **United States Design Patent**
Zhang

(10) **Patent No.:** **US D964,869 S**

(45) **Date of Patent:** **** Sep. 27, 2022**

(54) **FISH DETECTOR**

(71) Applicant: **ZHEJING LUCKYSMART MANUFACTURER CO., LTD.**, Jinhua (CN)

(72) Inventor: **Weixiu Zhang**, Jinhua (CN)

(73) Assignee: **ZHEJING LUCKYSMART MANUFACTURER CO., LTD.**, Jinhua (CN)

(**) Term: **15 Years**

(21) Appl. No.: **29/786,552**

(22) Filed: **Jun. 1, 2021**

(30) **Foreign Application Priority Data**

Apr. 23, 2021 (CN) 202130237190.X

(51) **LOC (13) Cl.** **10-04**

(52) **U.S. Cl.**
USPC **D10/65; D10/70**

(58) **Field of Classification Search**
USPC D10/96-103, 65-80, 61; D22/134, 199, D22/146; D14/137, 341, 344, 383, 230
CPC G01S 19/35; G01S 19/14; G01S 19/51; G01S 15/8902; G01S 15/96; G01S 15/93; G01S 15/88; G01S 17/02; G01S 17/87; G01S 7/521; G10K 11/006
See application file for complete search history.

(56) **References Cited**

U.S. PATENT DOCUMENTS

- D469,367 S * 1/2003 Mirabelli D14/230
- D473,537 S * 4/2003 Lammers-Meis D14/188
- D494,878 S * 8/2004 Laverick D10/65
- D644,133 S * 8/2011 Register D10/65
- D645,040 S * 9/2011 Morton D14/341
- D645,041 S * 9/2011 Morton D14/341
- D782,347 S * 3/2017 Emge D10/70

- D782,348 S * 3/2017 Emge D10/70
 - D818,852 S * 5/2018 Chen D10/65
 - 9,972,110 B2 * 5/2018 Steward G06T 11/206
- (Continued)

FOREIGN PATENT DOCUMENTS

- CN 300923958 * 1/2008
 - CN 302349799 * 10/2012
- (Continued)

OTHER PUBLICATIONS

Lucky Store, Wireless Fish Finder Sonar Sensor, Date first available Mar. 25, 2015, [online]retrieved Apr. 8, 2022,available from https://www.amazon.com/dp/B00V7ZY7XI/ref=sspa_dk_detail_5?psc=1&pd_rd_i=B00V7ZY7X1&pd_rd_w=S2m50&pf_rd_p=d533dd31-f352-432f-87d0-ace6fec162b4&pd_rd_wg=e0fqM&pf_rd_r=QVP3Y3JJ (Year: 2015).*

(Continued)

Primary Examiner — Keli L Hill

Assistant Examiner — Sara S Sahneh

(74) *Attorney, Agent, or Firm* — Muncy, Geissler, Olds & Lowe, P.C.

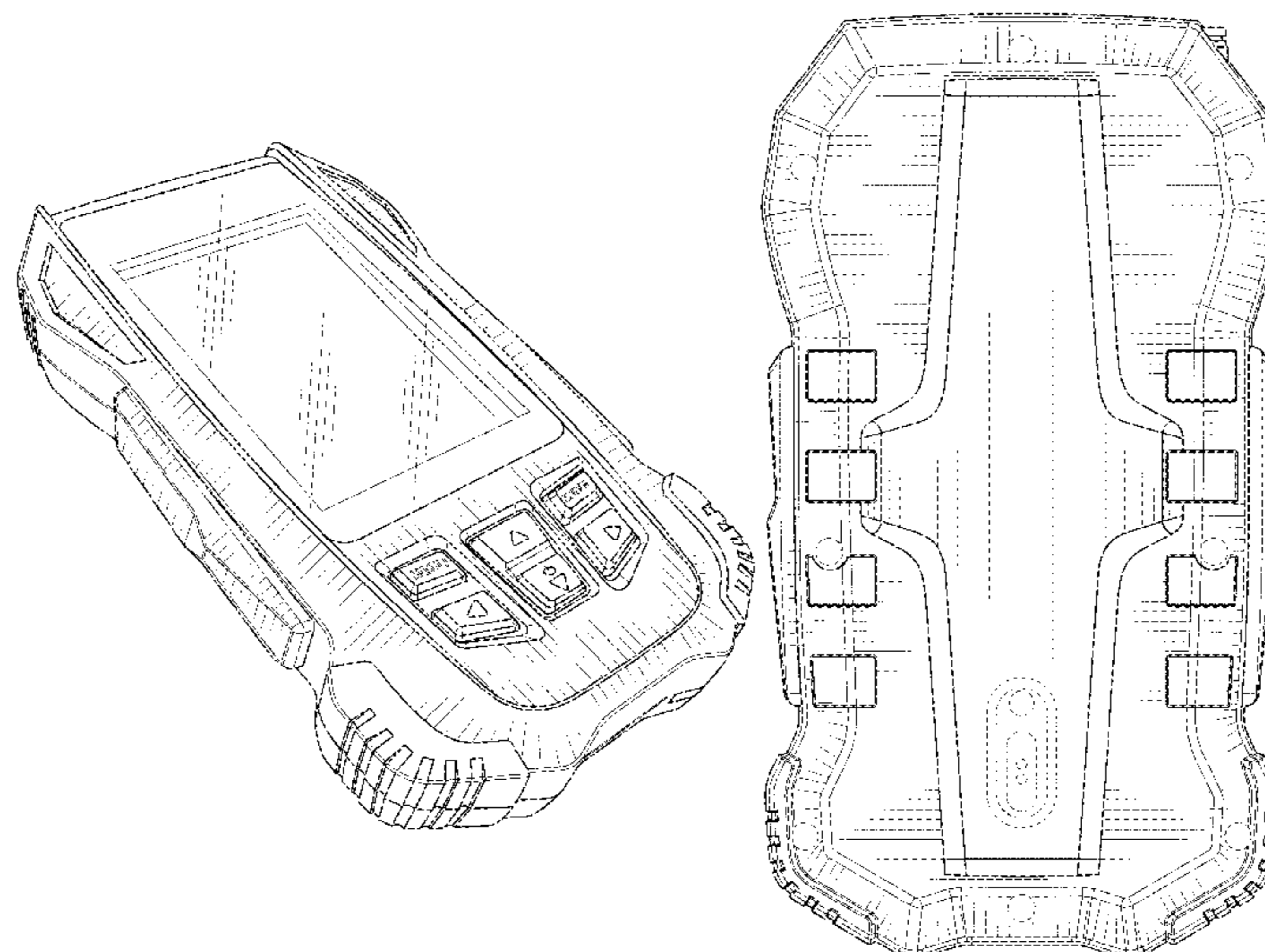
(57) **CLAIM**

The ornamental design for a fish detector, as shown and described.

DESCRIPTION

FIG. 1 is a perspective view of a fish detector showing my new design;
FIG. 2 is a front elevational view thereof;
FIG. 3 is a rear elevational view thereof;
FIG. 4 is a left side view thereof;
FIG. 5 is a right side view thereof;
FIG. 6 is a top plan view thereof; and,
FIG. 7 is a bottom plan view thereof.
The broken lines illustrate portions of the fish detector which form no part of the claimed design.

1 Claim, 6 Drawing Sheets



(56)

References Cited

U.S. PATENT DOCUMENTS

2015/0078122 A1* 3/2015 Langford-Wood G01S 15/66
367/7
2015/0341562 A1* 11/2015 Marshall G10K 11/00
348/81
2021/0165068 A1* 6/2021 Clark G01S 3/802

FOREIGN PATENT DOCUMENTS

CN 302835282 * 2/2014
CN 302872540 * 3/2014
CN 302824641 * 5/2014
CN 303040950 * 7/2014
CN 305065444 * 5/2018

OTHER PUBLICATIONS

Lucky Store, Kayak Portable Fish Depth Finder, Date first available Mar. 31, 2021, [online]retrieved Apr. 8, 2022, available from https://www.amazon.com/LUCKY-Portable-Handheld-Fishfinder-Transducer/dp/B091GKH7XL/ref=sr_1_4?crid=S1MKMRF1FALA&keywords=L (Year: 2021).*

Garmin Store, 010-01550-00 Striker, Date first available Nov. 4, 2015, [online]retrieved Apr. 8, 2022, available from https://www.amazon.com/Garmin-Striker-Transducer-Fishfinder-Traditional/dp/B017N117HQ/ref=sr_1_3?keywords=Fish+Finder&qid=1649444025&sr=8-3 (Year: 2015).*

Lucky Store, Kayak Portable Fish Depth Finder, Date first available Mar. 31, 2021, [online]retrieved Apr. 8, 2022, available from https://www.amazon.com/LUCKY-Portable-Handheld-Fishfinder-Transducer/dp/B091GKH7XL/ref=sr_1_4?crid=S1MKMRF1FALA&keywords=LUCKY (Year: 2021).*

* cited by examiner

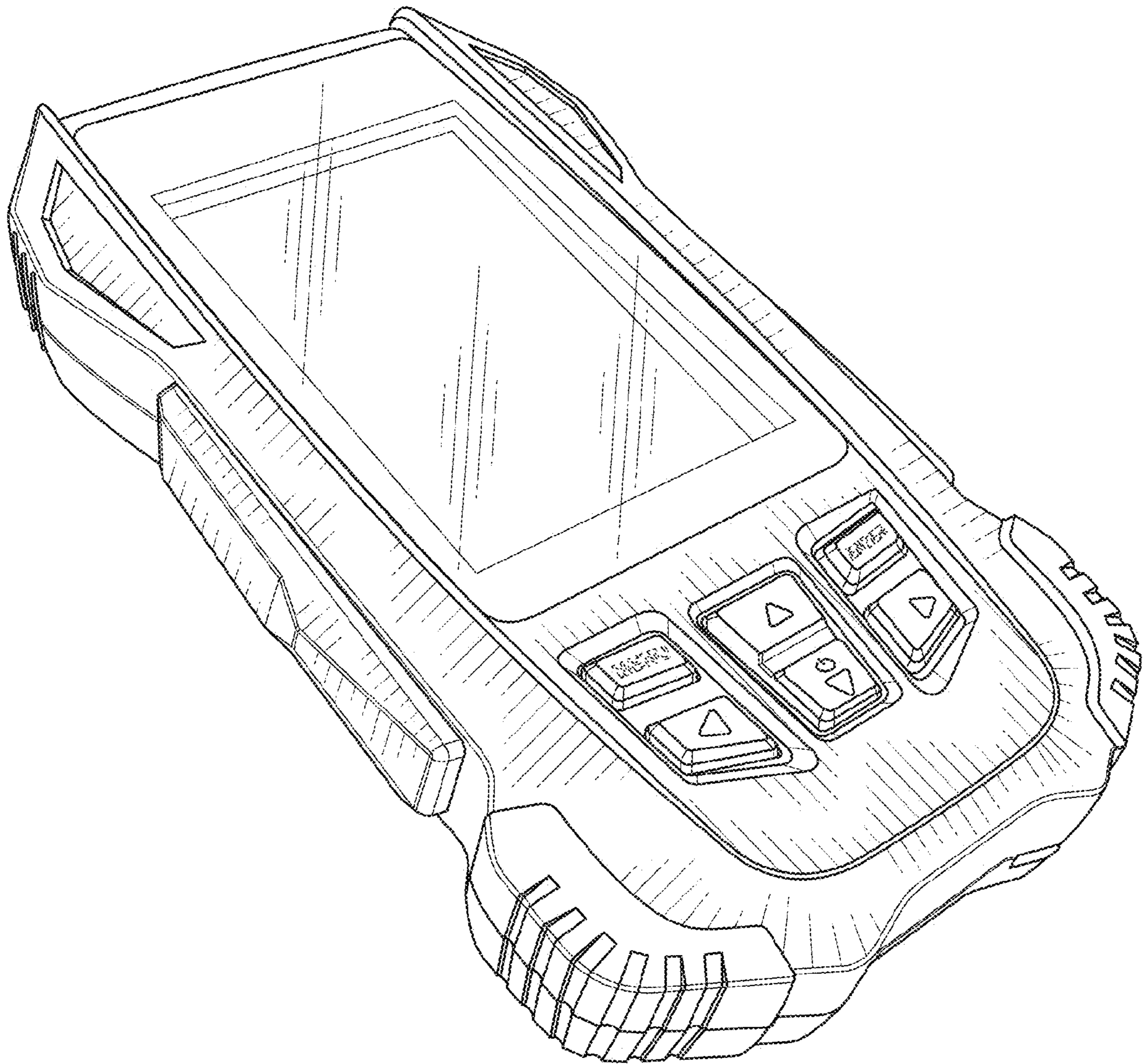


FIG. 1

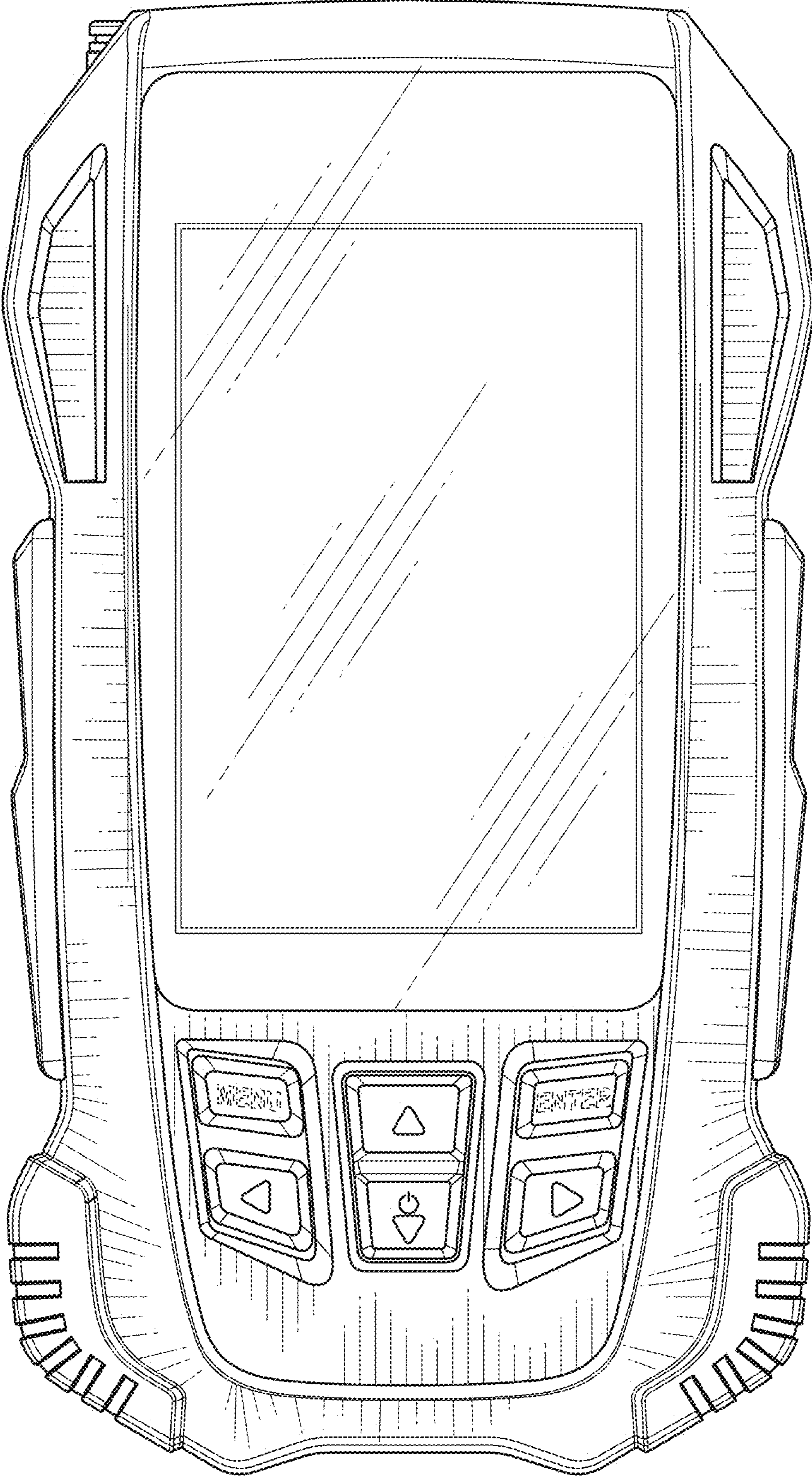


FIG. 2

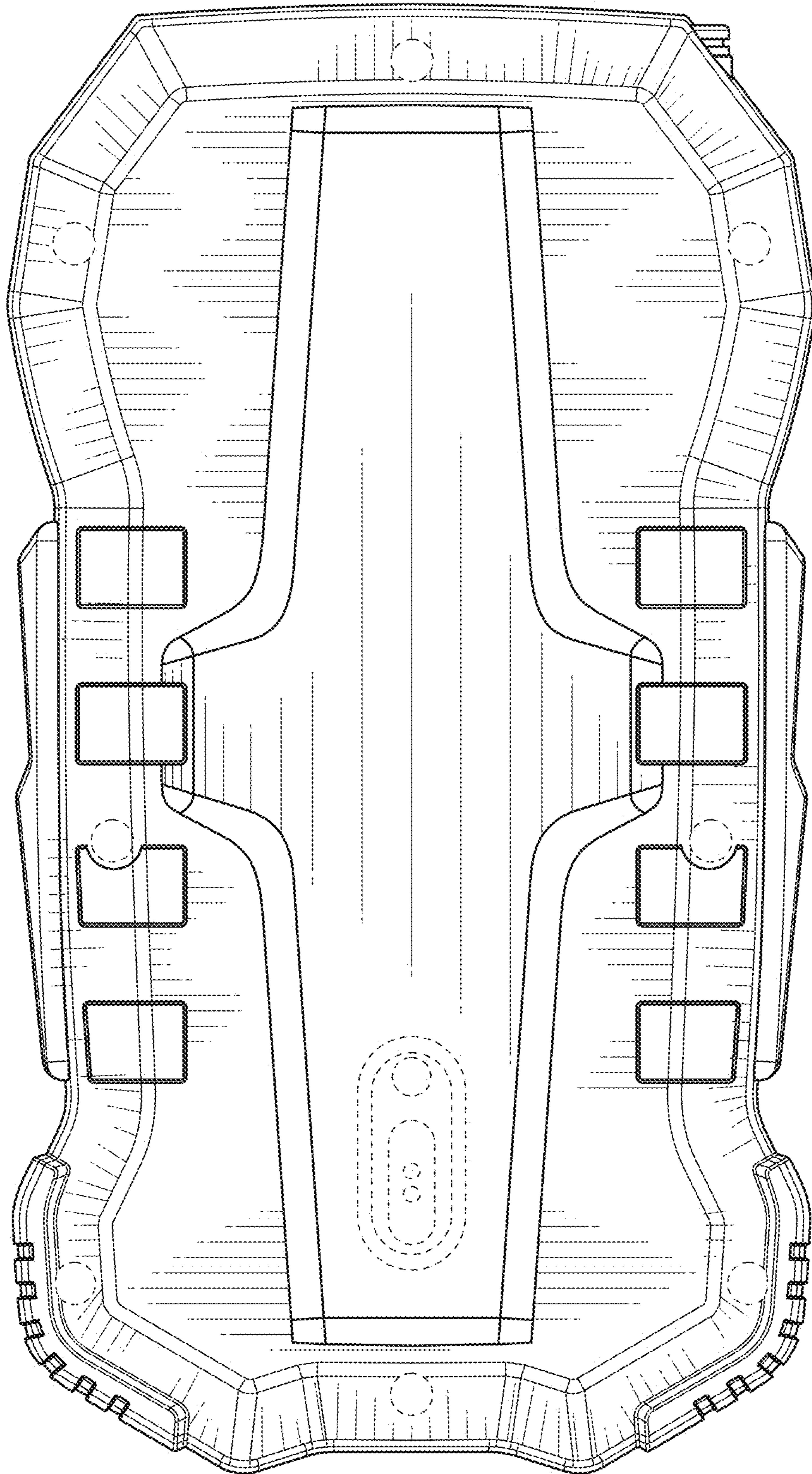


FIG. 3

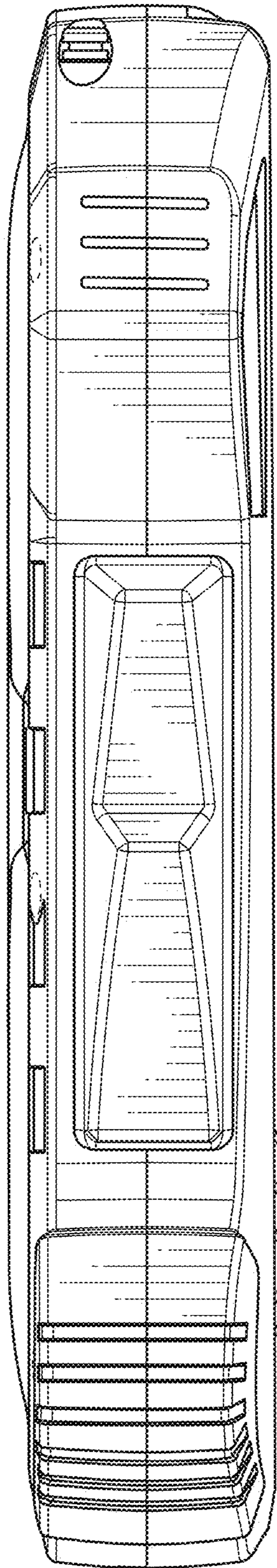


FIG. 4

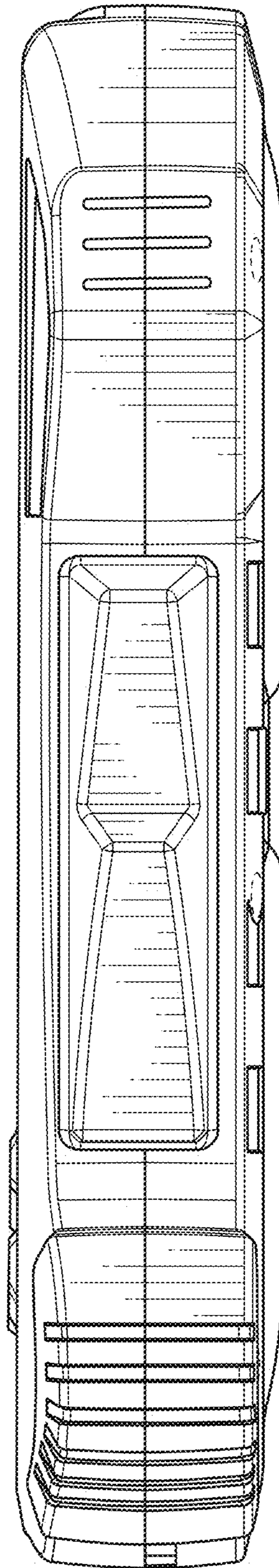


FIG. 5

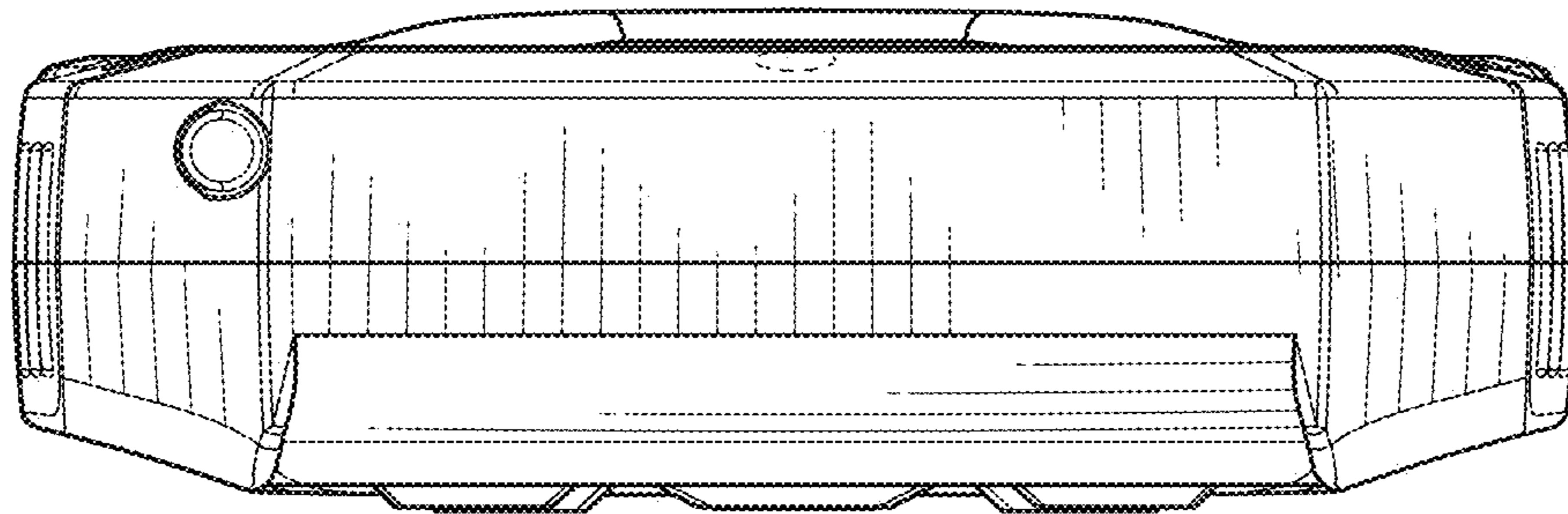


FIG. 6

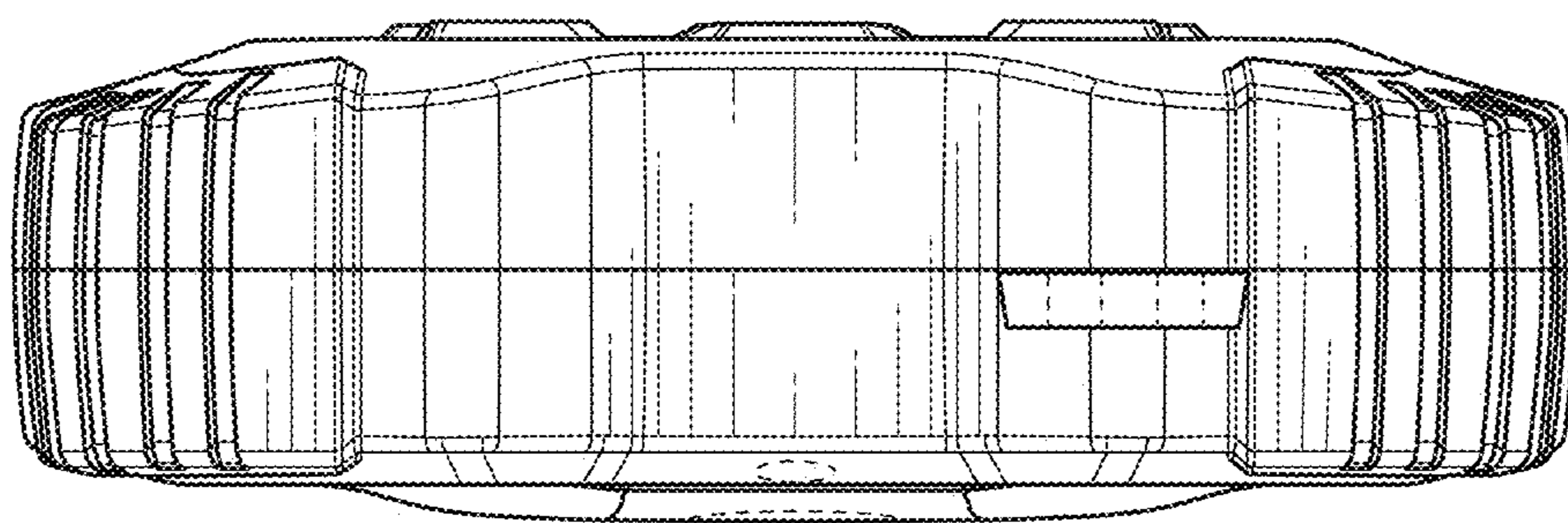


FIG. 7