



US00D964868S

(12) **United States Design Patent**  
**Zhang**

(10) **Patent No.:** **US D964,868 S**

(45) **Date of Patent:** **\*\* Sep. 27, 2022**

(54) **FISH DETECTOR**

(71) Applicant: **ZHEJING LUCKYSMART  
MANUFACTURER CO., LTD.,  
Zhejiang (CN)**

(72) Inventor: **Weixiu Zhang, Zhejiang (CN)**

(73) Assignee: **ZHEJING LUCKYSMART  
MANUFACTURER CO., LTD.,  
Zhejiang (CN)**

(\*\*) Term: **15 Years**

(21) Appl. No.: **29/785,642**

(22) Filed: **May 26, 2021**

(30) **Foreign Application Priority Data**

Apr. 23, 2021 (CN) ..... 202130237201.4

(51) **LOC (13) Cl.** ..... **10-05**

(52) **U.S. Cl.**  
USPC ..... **D10/65; D22/134**

(58) **Field of Classification Search**  
USPC ..... D10/96-103, 65-80, 61, 65-69;  
D22/134, 199, 146  
CPC ..... G01S 19/35; G01S 19/14; G01S 19/51;  
G01S 15/8902; G01S 15/96; G01S 15/93;  
G01S 15/88; G01S 17/02; G01S 17/87;  
G01S 7/521; G10K 11/006

See application file for complete search history.

(56) **References Cited**

**U.S. PATENT DOCUMENTS**

5,463,597 A \* 10/1995 Harlev ..... G01S 7/003  
43/17.1  
5,771,205 A \* 6/1998 Currier ..... A01K 97/00  
43/17.1  
D585,521 S \* 1/2009 Crawford ..... D22/134  
8,186,097 B2 \* 5/2012 Crawford ..... A01K 61/90  
224/103  
D742,480 S \* 11/2015 Zhang ..... D22/134

D762,130 S \* 7/2016 Hays ..... D10/70  
D762,131 S \* 7/2016 Hays ..... D10/70  
D818,852 S \* 5/2018 Chen ..... D10/65  
2005/0170718 A1 \* 8/2005 Rogerson ..... B63B 22/02  
441/3

(Continued)

**FOREIGN PATENT DOCUMENTS**

CN 303189024 \* 11/2014  
CN 303561707 \* 7/2015

(Continued)

**OTHER PUBLICATIONS**

Deeper Store, Start Smart Fish Finder, Date first available May 1, 2018, [online]retrieved Apr. 8, 2022,available from [https://www.amazon.com/Deeper-Start-Smart-Fish-Finder/dp/B07BR2FQZN/ref=psdc\\_551460\\_t1\\_B08LDZWMKF](https://www.amazon.com/Deeper-Start-Smart-Fish-Finder/dp/B07BR2FQZN/ref=psdc_551460_t1_B08LDZWMKF) (Year: 2018).\*

(Continued)

*Primary Examiner* — Keli L Hill

*Assistant Examiner* — Sara S Sahneh

(74) *Attorney, Agent, or Firm* — Muncy, Geissler, Olds & Lowe, P.C.

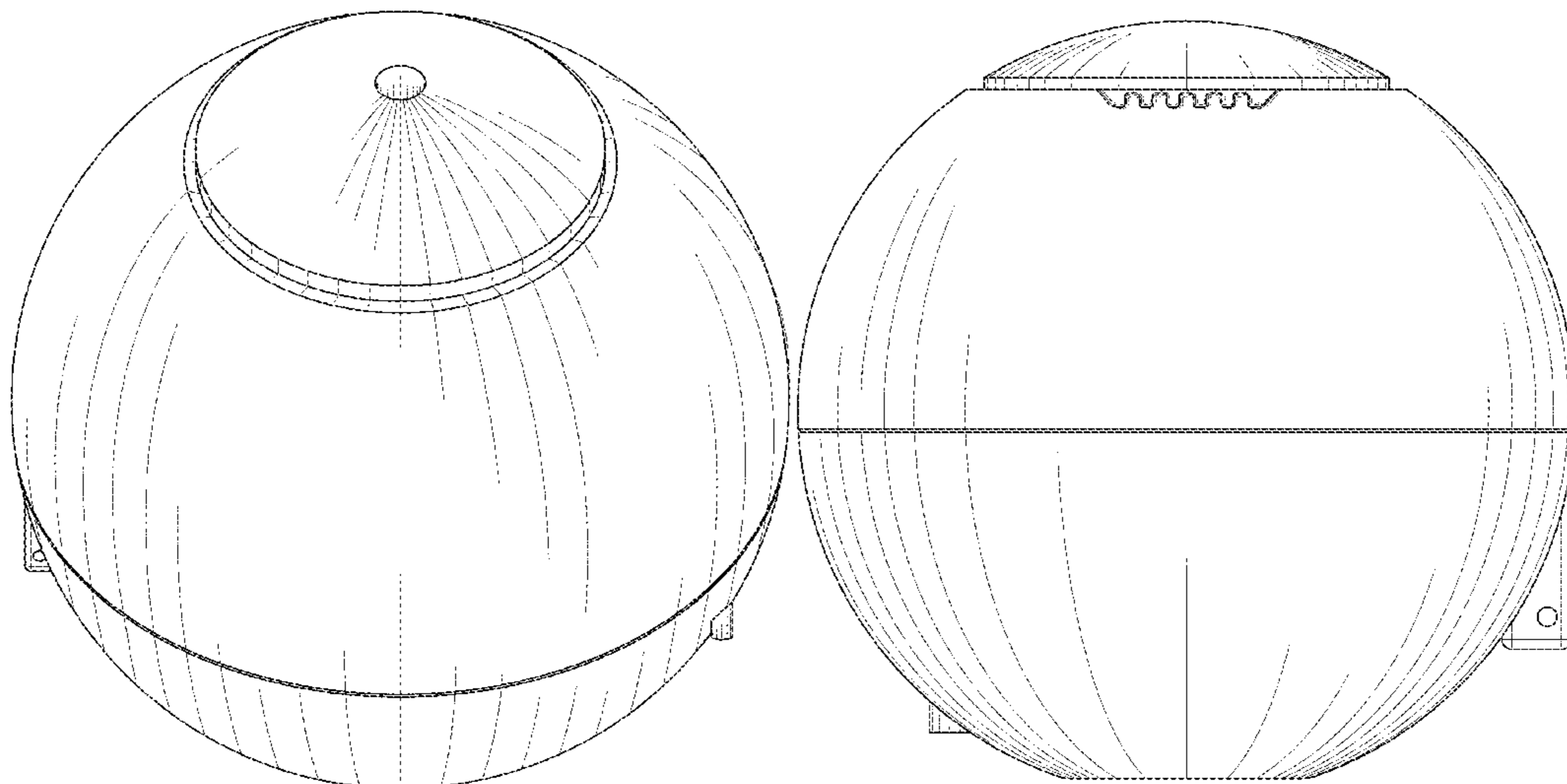
(57) **CLAIM**

The ornamental design for a fish detector, as shown and described.

**DESCRIPTION**

FIG. 1 is a perspective view of a fish detector showing my new design;  
FIG. 2 is a front elevational view thereof;  
FIG. 3 is a rear elevational view thereof;  
FIG. 4 is a left side view thereof;  
FIG. 5 is a right side view thereof;  
FIG. 6 is a top plan view thereof; and,  
FIG. 7 is a bottom plan view thereof.

**1 Claim, 7 Drawing Sheets**



(56)

**References Cited**

U.S. PATENT DOCUMENTS

2014/0009481 A1\* 1/2014 Butterworth ..... G01S 7/58  
345/581  
2014/0057677 A1\* 2/2014 Liubinas ..... H04M 1/026  
367/87  
2015/0346339 A1\* 12/2015 Zenanko ..... A01K 97/125  
367/173  
2017/0023676 A1\* 1/2017 Laster ..... G01S 7/003

FOREIGN PATENT DOCUMENTS

CN 304191143 \* 3/2017  
CN 304302036 \* 4/2017  
CN 306823479 \* 4/2021  
CN 307140970 \* 10/2021  
JP D1662999 \* 10/2019

OTHER PUBLICATIONS

Yamo Dudo, Underwater Fish Finder, Date first available 2022, [online]retrieved Apr. 12, 2022,available from [https://www.amazon.com/dp/B09T396N5V/ref=sspa\\_dk\\_detail\\_4?psc=1&pf\\_rd\\_p=b9951ce4-3bd8-4b04-9123-0fda35d6155e&pd\\_rd\\_wg=stRL1&pf\\_rd\\_r=3N25J0RNRAG3W4R2W0AD&pd\\_rd\\_w=wcLGf&pd\\_rd\\_r=7b...](https://www.amazon.com/dp/B09T396N5V/ref=sspa_dk_detail_4?psc=1&pf_rd_p=b9951ce4-3bd8-4b04-9123-0fda35d6155e&pd_rd_wg=stRL1&pf_rd_r=3N25J0RNRAG3W4R2W0AD&pd_rd_w=wcLGf&pd_rd_r=7b...) (Year: 2022).\*

Garmin, Striker Cast,Date first available Oct. 27, 2020, [online]retrieved Apr. 12, 2022,available from [https://www.amazon.com/dp/B08LDZWMKF/ref=sspa\\_dk\\_detail\\_2?pf\\_rd\\_p=dae498aa-ddd7-4672-8f8e-8f83deeac4ef&pd\\_rd\\_wg=pxrbQ&pf\\_rd\\_r=40YBHQ5CC2891H3CKK7K&pd\\_rd\\_w=CCwfa&pd\\_rd\\_r=71f85420...](https://www.amazon.com/dp/B08LDZWMKF/ref=sspa_dk_detail_2?pf_rd_p=dae498aa-ddd7-4672-8f8e-8f83deeac4ef&pd_rd_wg=pxrbQ&pf_rd_r=40YBHQ5CC2891H3CKK7K&pd_rd_w=CCwfa&pd_rd_r=71f85420...) (Year: 2020).\*

\* cited by examiner

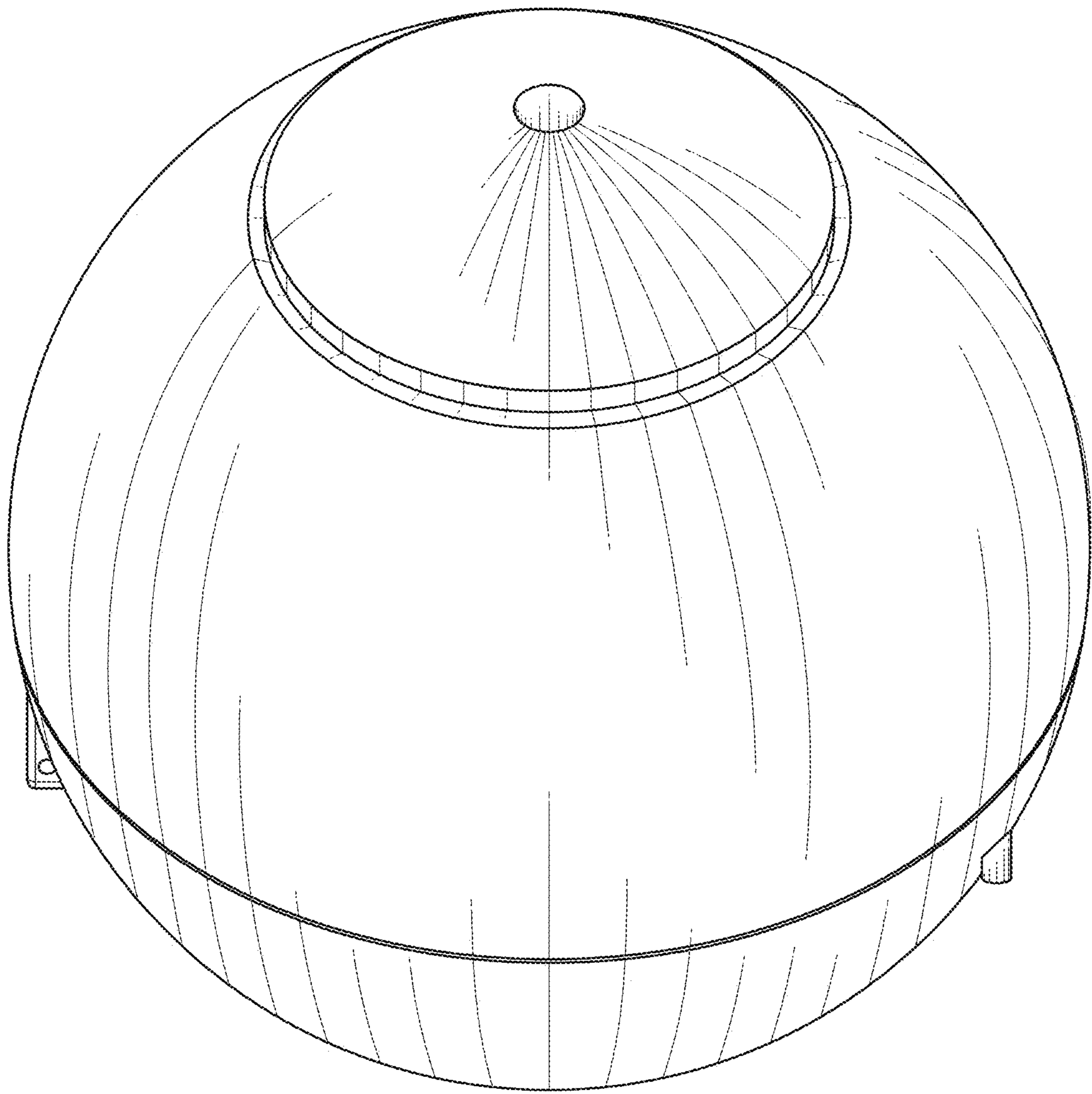


FIG. 1

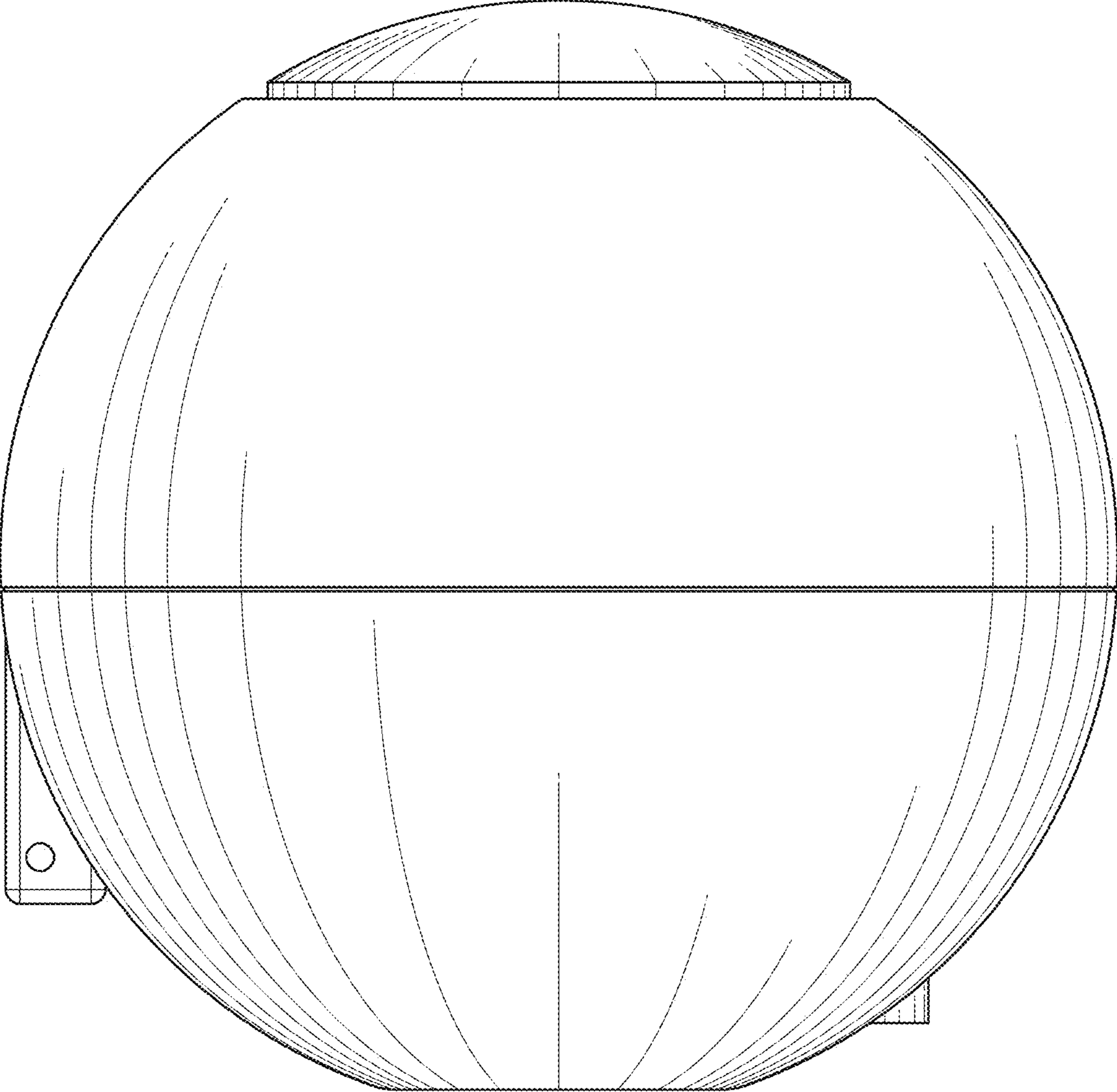


FIG. 2



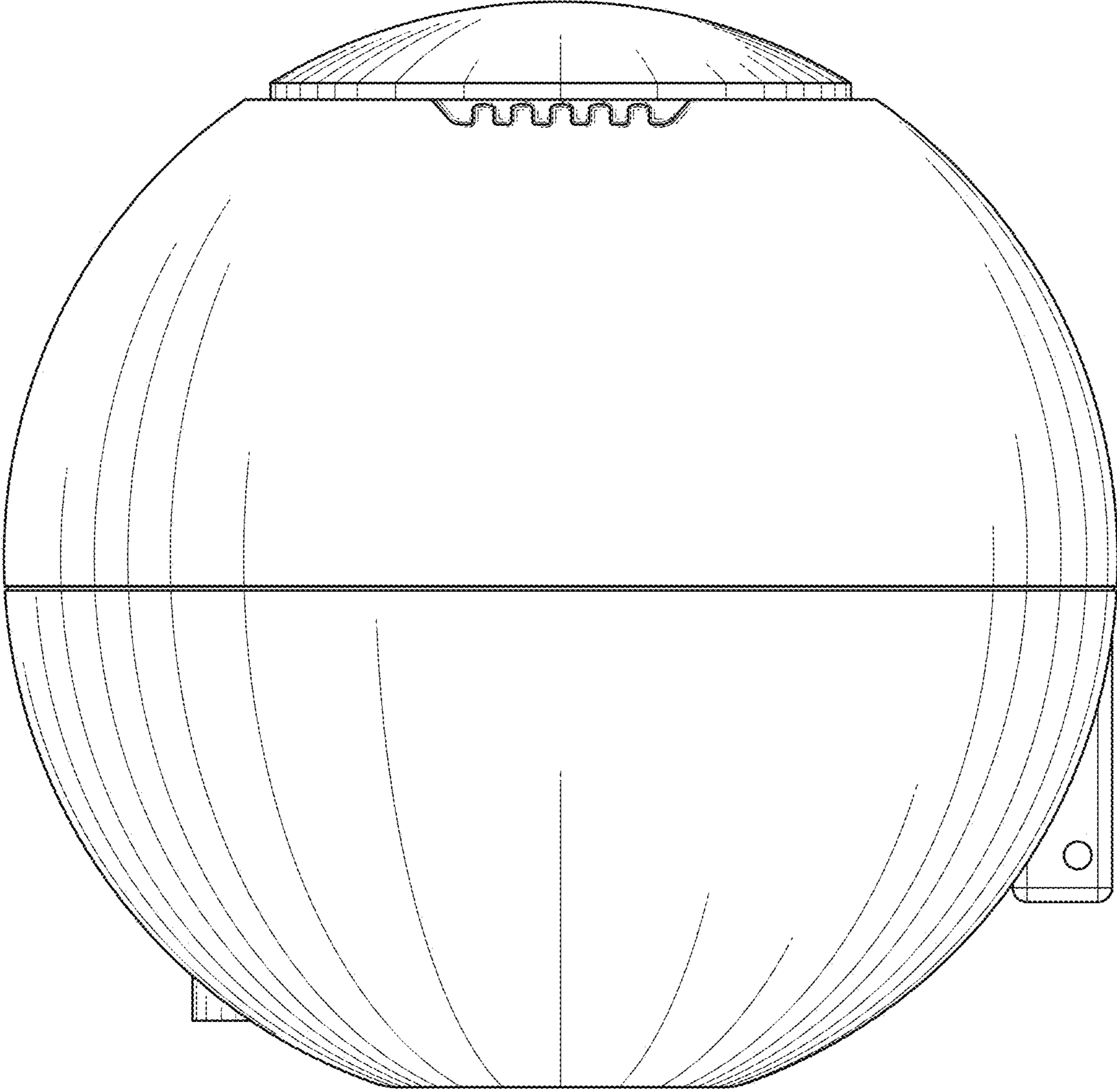


FIG. 3

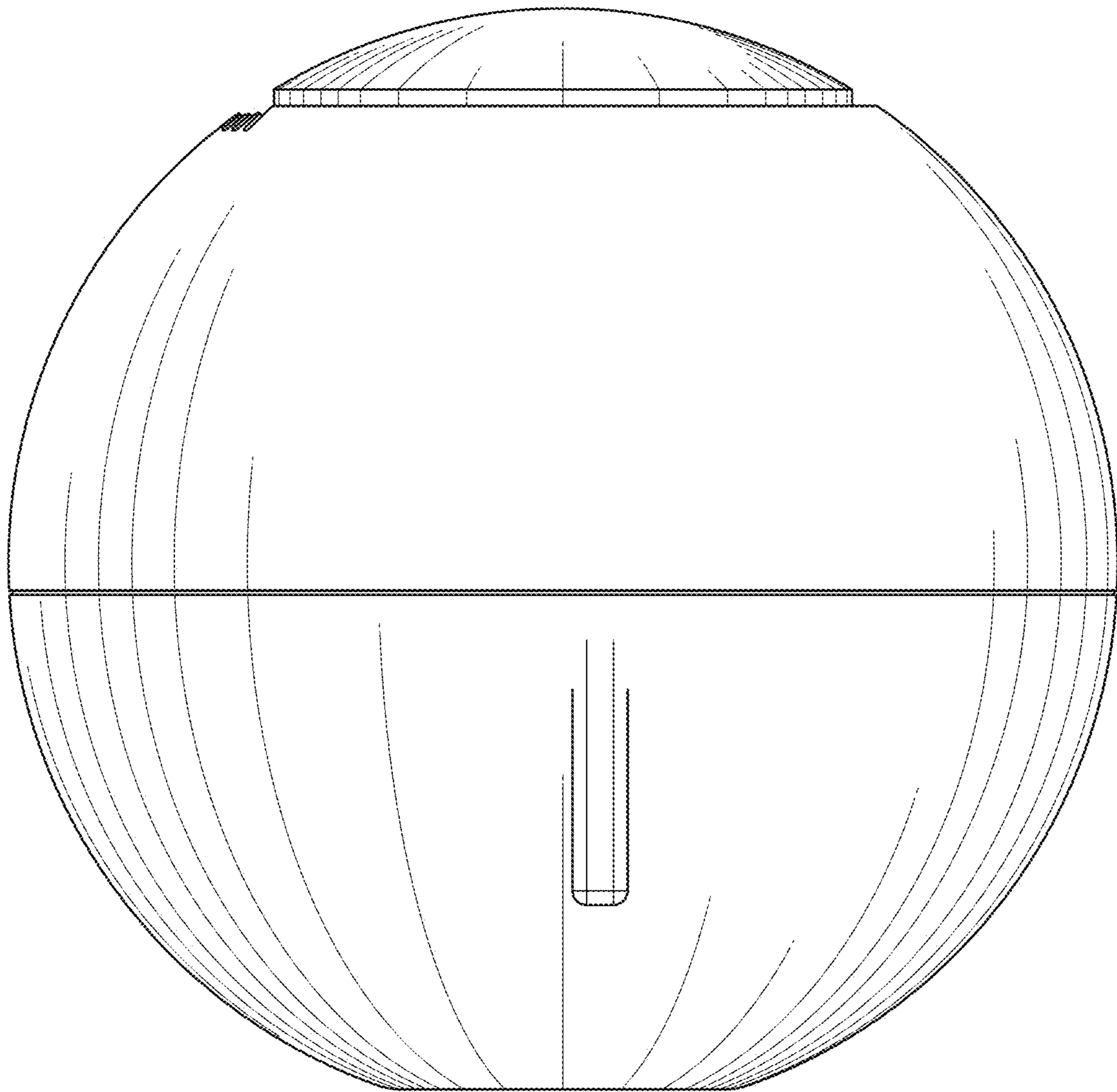


FIG. 4

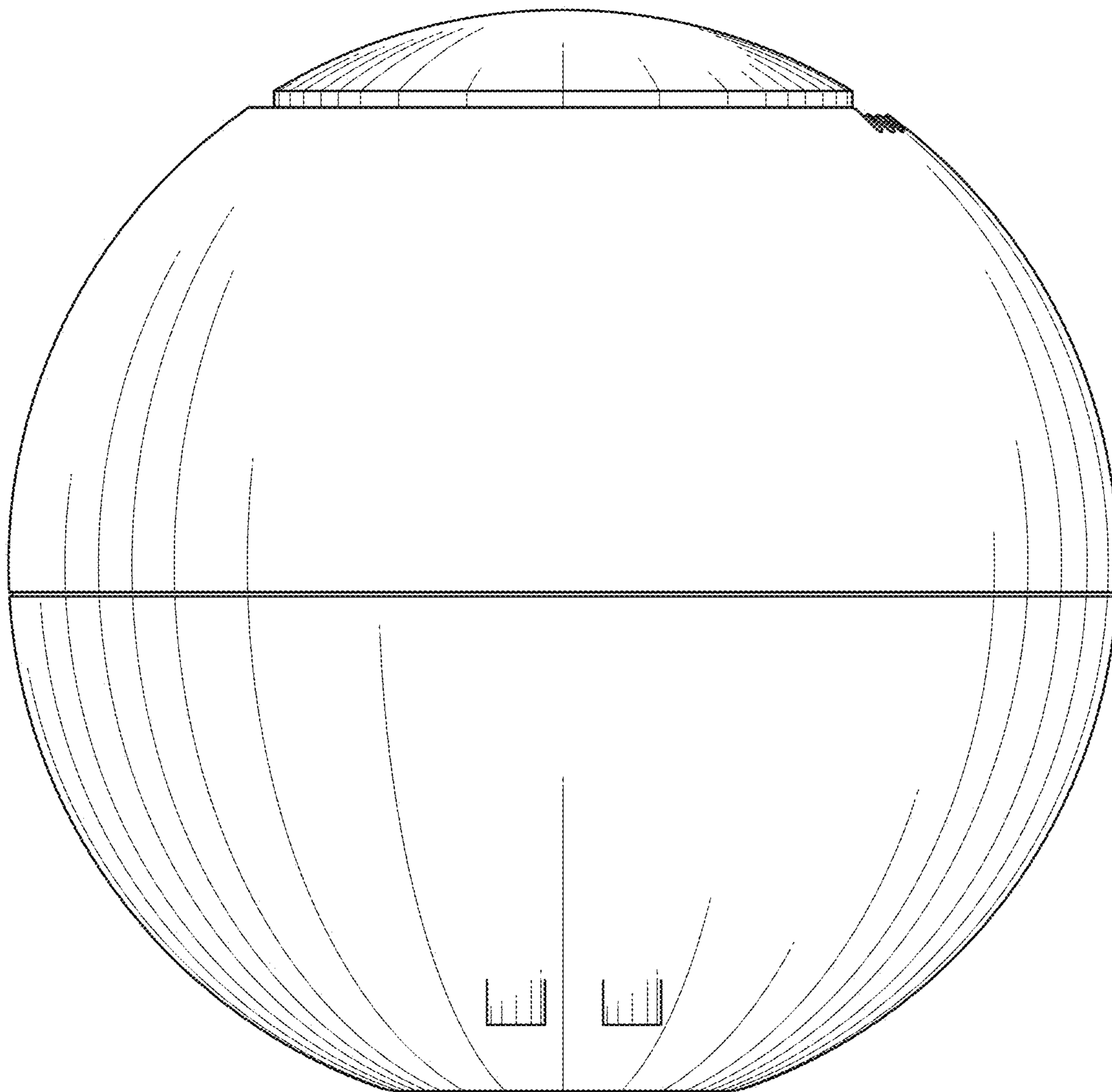


FIG. 5

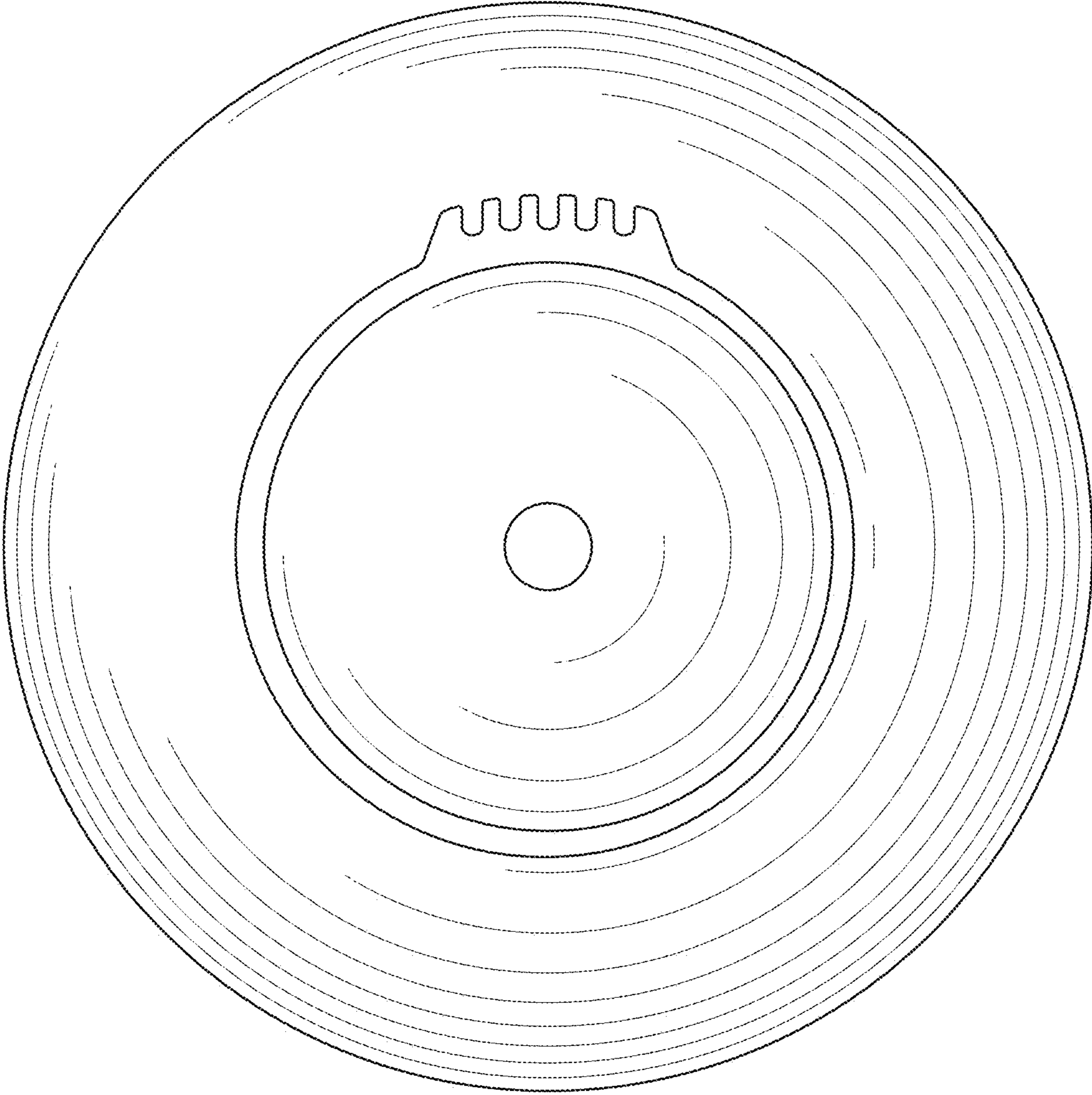


FIG. 6



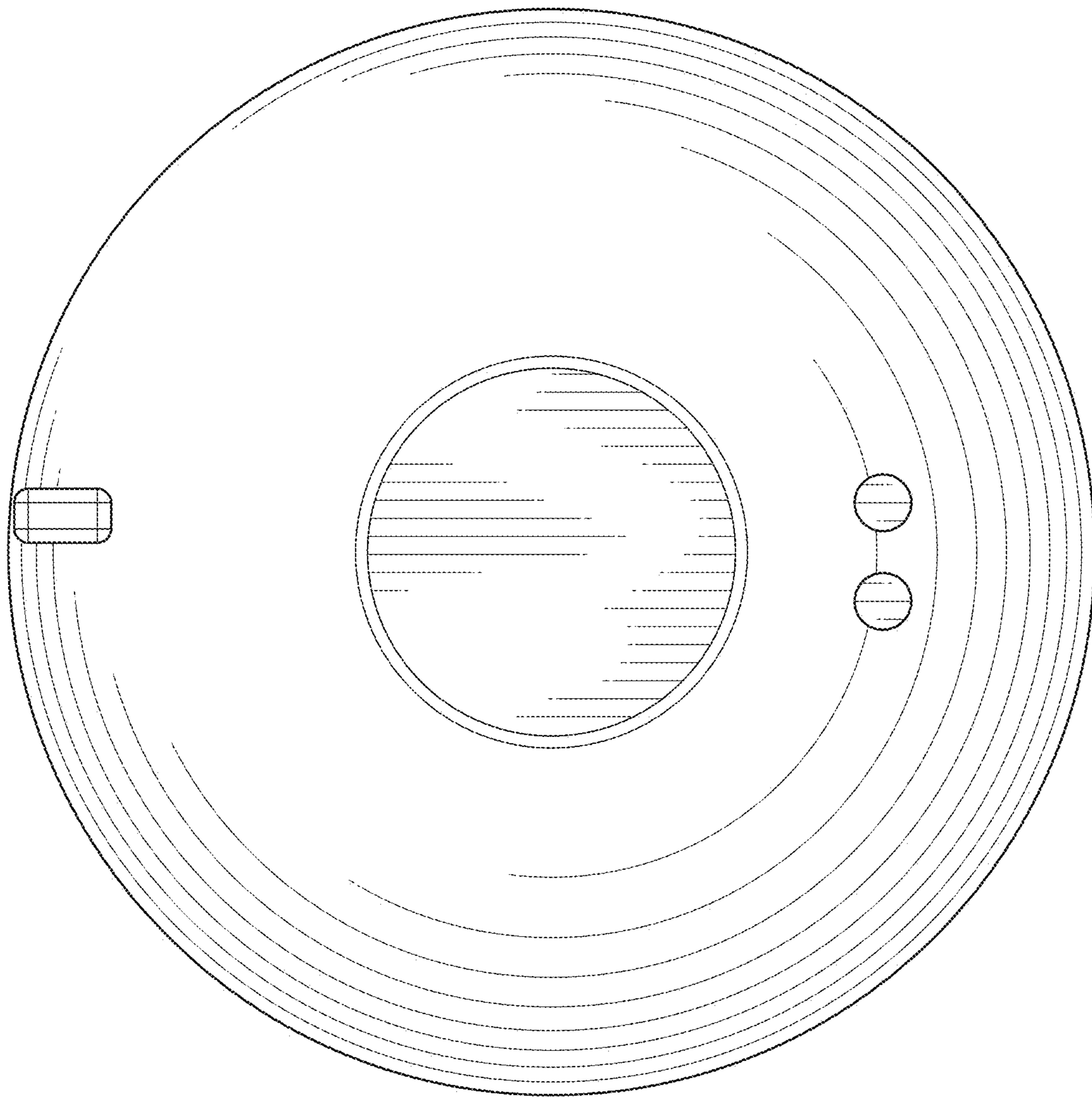


FIG. 7