



US00D964866S

(12) **United States Design Patent**
Zhang

(10) **Patent No.:** **US D964,866 S**

(45) **Date of Patent:** **** Sep. 27, 2022**

- (54) **METAL DETECTOR WITH REPLACEABLE PROBE**
 - (71) Applicant: **SPYONWAY ELECTRONICS CO., LIMITED**, Shenzhen (CN)
 - (72) Inventor: **Tianqi Zhang**, Shenzhen (CN)
 - (**) Term: **15 Years**
 - (21) Appl. No.: **29/783,188**
 - (22) Filed: **May 11, 2021**
 - (51) **LOC (13) Cl.** **10-04**
 - (52) **U.S. Cl.**
USPC **D10/47**
 - (58) **Field of Classification Search**
USPC D10/47
CPC ... G01V 3/00; G01V 3/02; G01V 3/04; G01V 3/06; G01V 3/08; G01V 3/081; G01V 3/082; G01V 3/083; G01V 2003/084; G01V 2003/085; G01V 2003/086; G01V 3/087; G01V 3/088; G01V 3/10; G01V 3/101; G01V 3/102; G01V 3/104; G01V 3/105; G01V 3/107; G01V 3/108; G01V 3/12; G01V 3/14; G01V 3/15; G01V 3/16; G01V 3/165; G01V 3/17; G01V 3/175; G01V 3/18; G01V 3/20; G01V 3/22; G01V 3/24; G01V 3/26; G01V 3/265; G01V 3/28; G01V 3/30; G01V 3/32; G01V 3/34; G01V 3/36; G01V 3/38; G01V 3/40
- See application file for complete search history.

- 9,021,661 B2 * 5/2015 Andel B25G 1/04 16/429
- D756,247 S * 5/2016 Pollock G01S 13/86 D10/47
- 9,347,798 B1 * 5/2016 Johnson H04R 1/028
- 9,664,809 B2 * 5/2017 Fry G01V 3/104
- 9,733,353 B1 * 8/2017 Carlson G01S 13/885
- D796,971 S * 9/2017 Dubos D10/47
- 9,864,089 B2 * 1/2018 Andel G01V 3/15
- D844,462 S * 4/2019 Griffin D10/47
- D844,463 S * 4/2019 Zhang G01V 3/15 D10/47
- D846,411 S * 4/2019 Zhang G01S 13/885 D10/47
- D867,168 S * 11/2019 Griffin D10/47
- D867,170 S * 11/2019 Deng D10/47
- D881,034 S * 4/2020 Zhang D10/47
- D881,035 S * 4/2020 Zhang D10/47
- D881,037 S * 4/2020 Zhang D10/47

(Continued)

Primary Examiner — Antoine Duval Davis

(57) **CLAIM**

The ornamental design for a metal detector with replaceable probe, as shown and described.

DESCRIPTION

FIG. 1 is the first perspective view of a metal detector with replaceable probe showing my new design;
 FIG. 2 is the second perspective view thereof;
 FIG. 3 is the third perspective view thereof;
 FIG. 4 is a front view thereof;
 FIG. 5 is a rear view thereof;
 FIG. 6 is a left side view thereof;
 FIG. 7 is a right side view thereof;
 FIG. 8 is a top plan view thereof; and,
 FIG. 9 is a bottom plan view thereof.

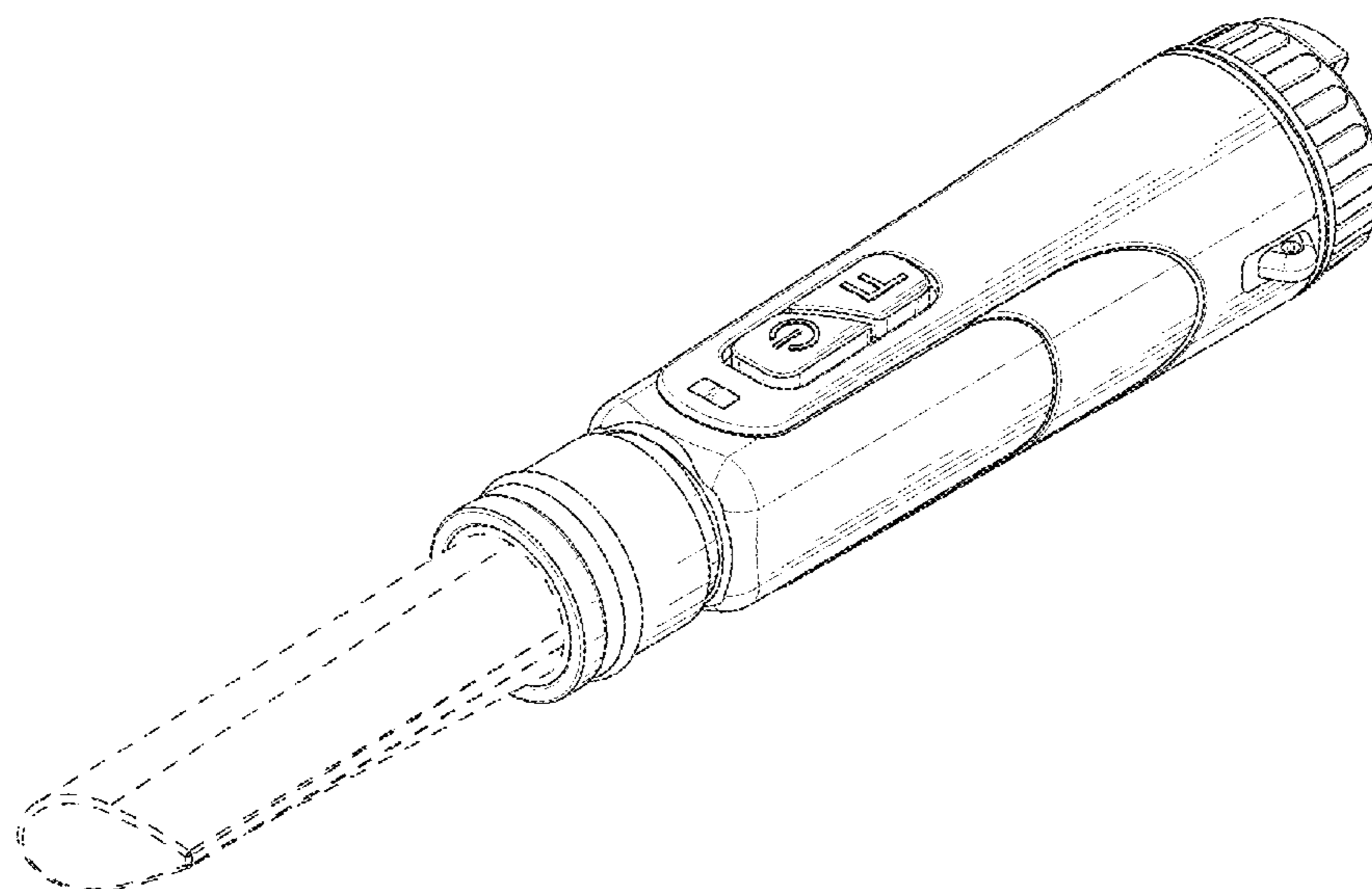
The broken lines showing a metal detector with replaceable probe are for the purposes of illustrating environment and forms no part of the claimed design.

1 Claim, 8 Drawing Sheets

(56) **References Cited**

U.S. PATENT DOCUMENTS

- D497,559 S * 10/2004 Johnson D10/47
- D513,706 S * 1/2006 Johnson D10/47
- D583,261 S * 12/2008 Johnson D10/47
- 8,842,035 B2 * 9/2014 Duvoisin, III G01S 13/86 342/22



(56)

References Cited

U.S. PATENT DOCUMENTS

| | | | | | |
|------------|------|---------|------|-------|----------------------|
| D881,726 | S * | 4/2020 | Deng | | D10/47 |
| D881,727 | S * | 4/2020 | Deng | | D10/47 |
| D884,492 | S * | 5/2020 | Deng | | D10/47 |
| D885,206 | S * | 5/2020 | Deng | | D10/47 |
| D885,938 | S * | 6/2020 | Deng | | D10/47 |
| D885,939 | S * | 6/2020 | Deng | | D10/47 |
| D889,996 | S * | 7/2020 | Qin | | D10/47 |
| D889,997 | S * | 7/2020 | Qin | | G02B 6/0005 |
| D889,998 | S * | 7/2020 | Qin | | H04R 1/028 |
| D889,999 | S * | 7/2020 | Qin | | D10/47 |
| D899,275 | S * | 10/2020 | Ye | | D10/47 |
| 10,809,411 | B2 * | 10/2020 | Deng | | G01V 3/165 D10/47 |
| 10,859,559 | B1 * | 12/2020 | Tam | | G02B 6/0005 |
| D907,513 | S * | 1/2021 | Qin | | D10/47 |
| D915,225 | S * | 4/2021 | Deng | | D10/47 |
| D918,062 | S * | 5/2021 | Qin | | D10/47 |
| D937,102 | S * | 11/2021 | Deng | | D10/47 |

* cited by examiner

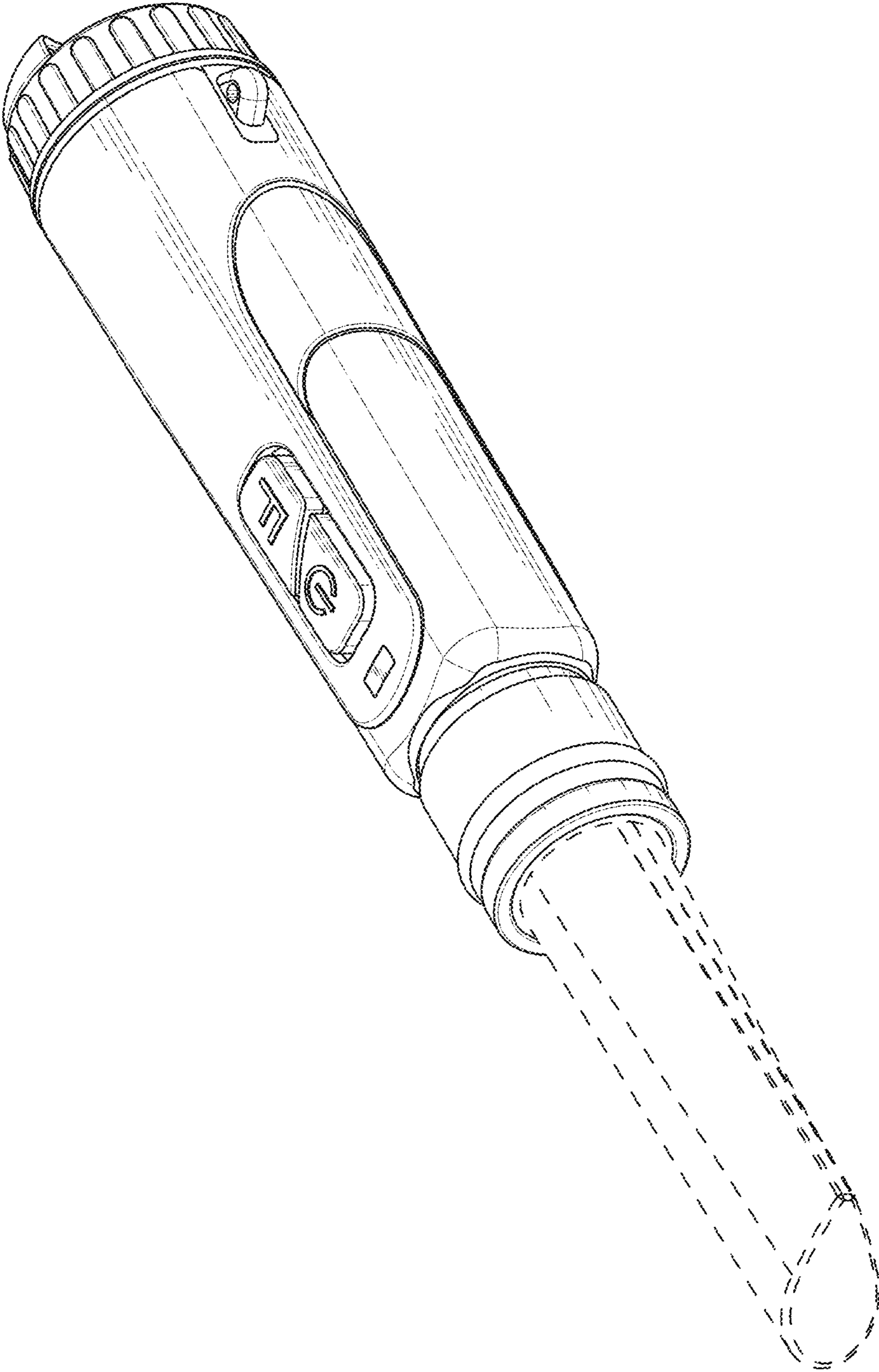


FIG. 1

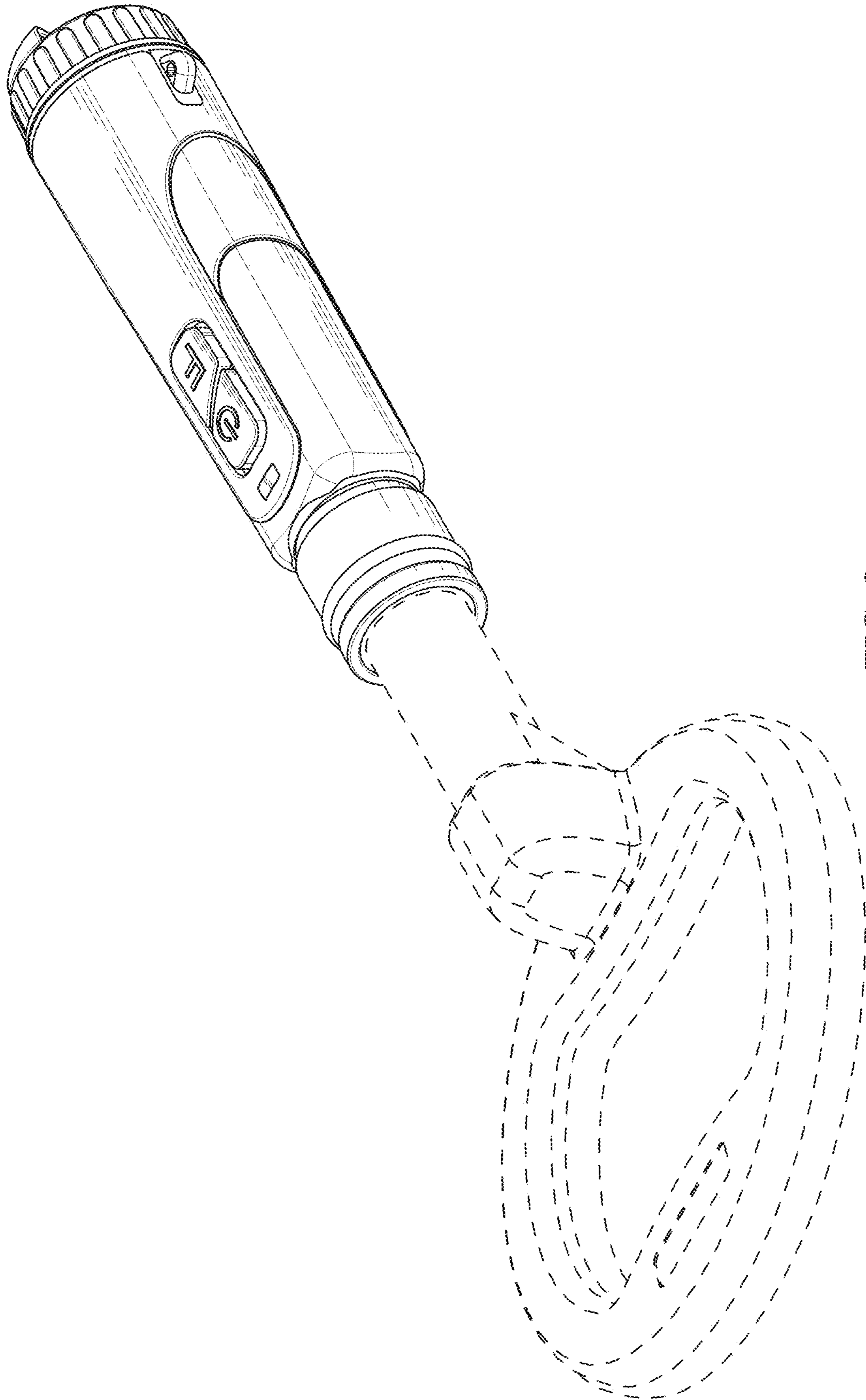


FIG. 2

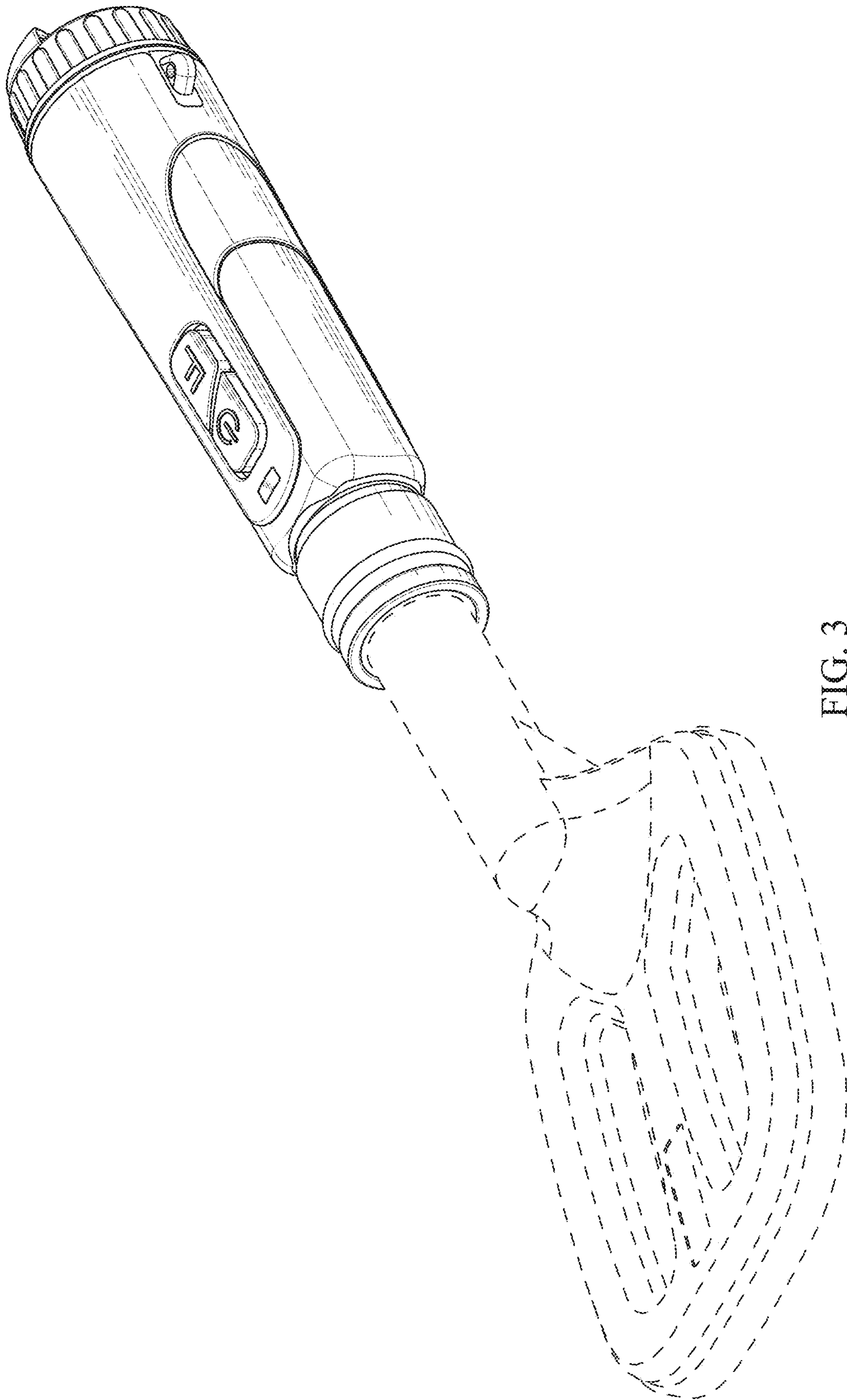


FIG. 3

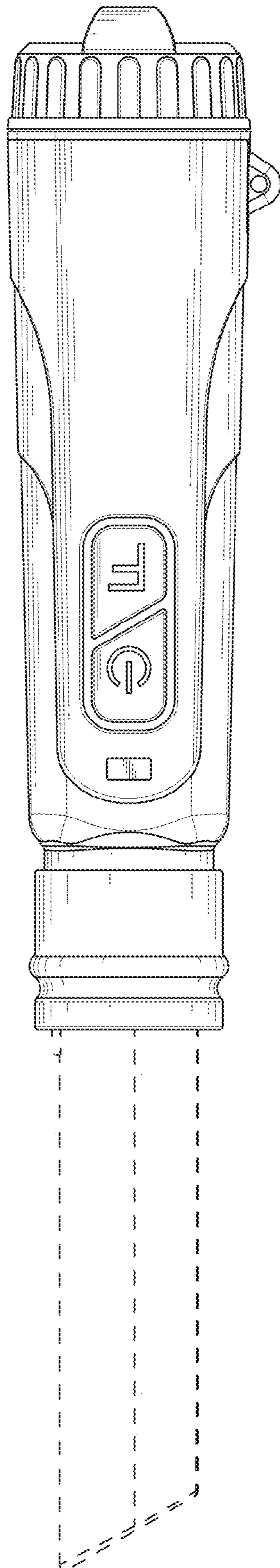


FIG. 4

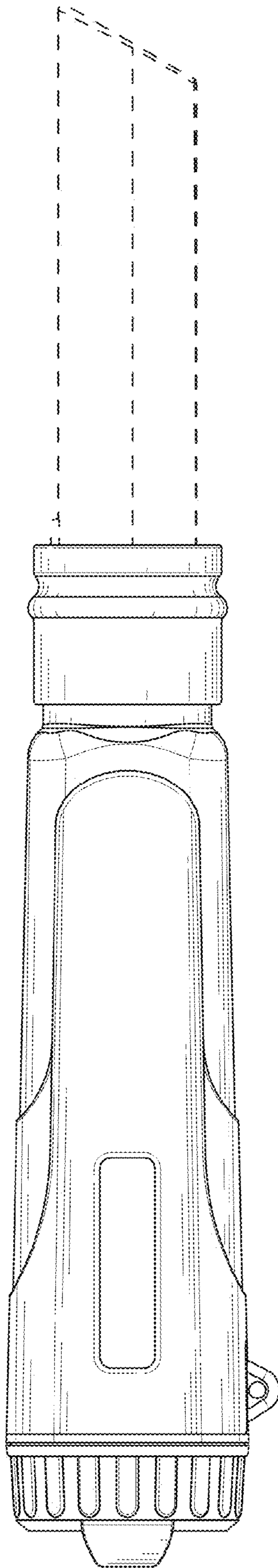


FIG. 5

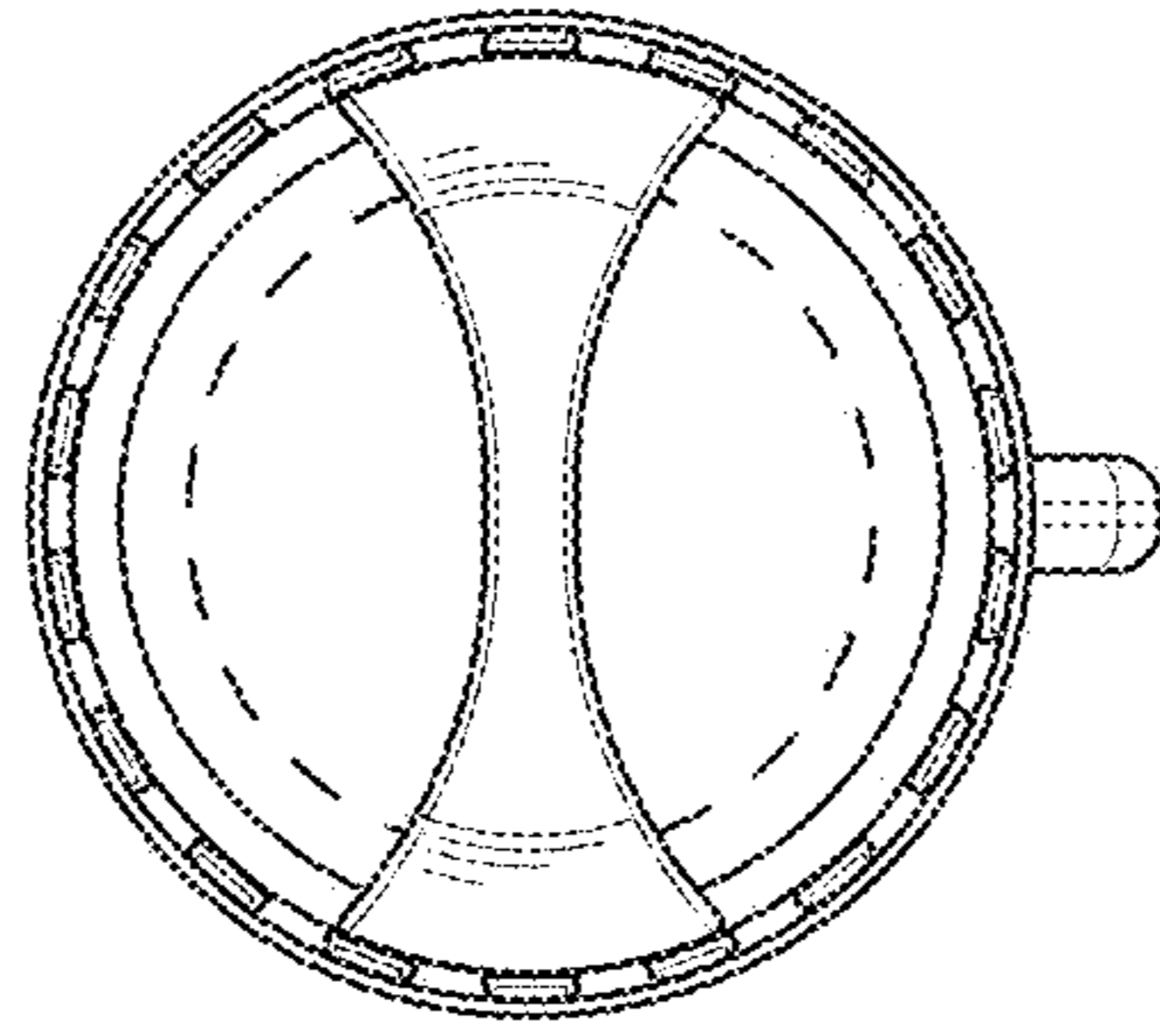


FIG. 7

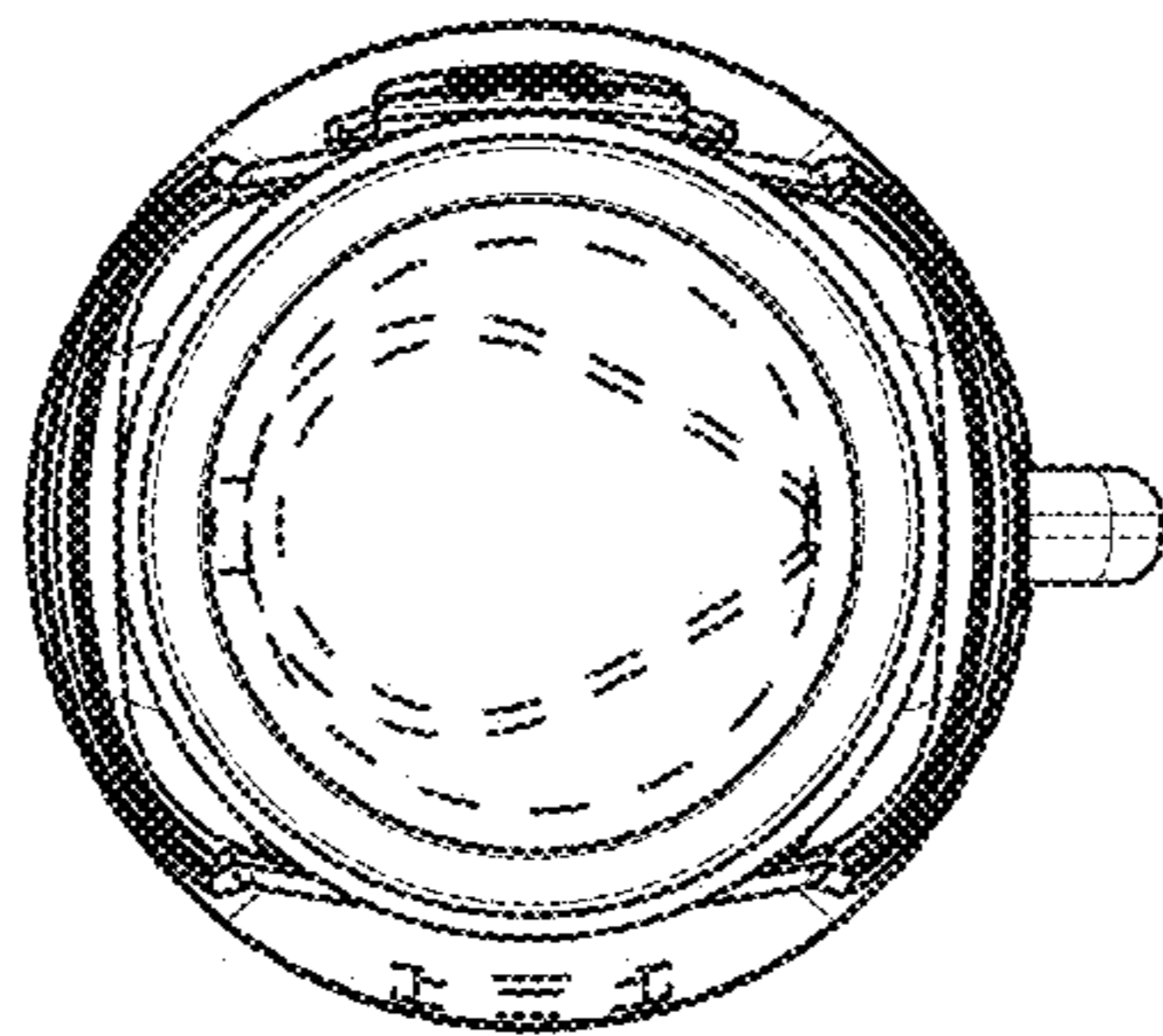


FIG. 6

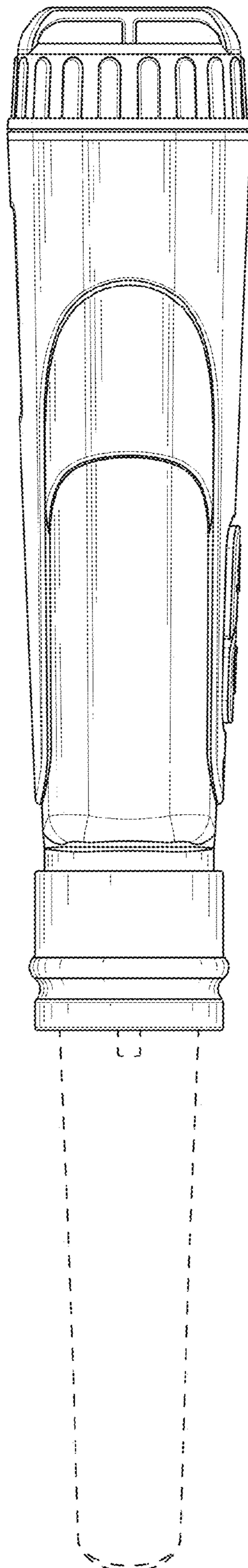


FIG. 8

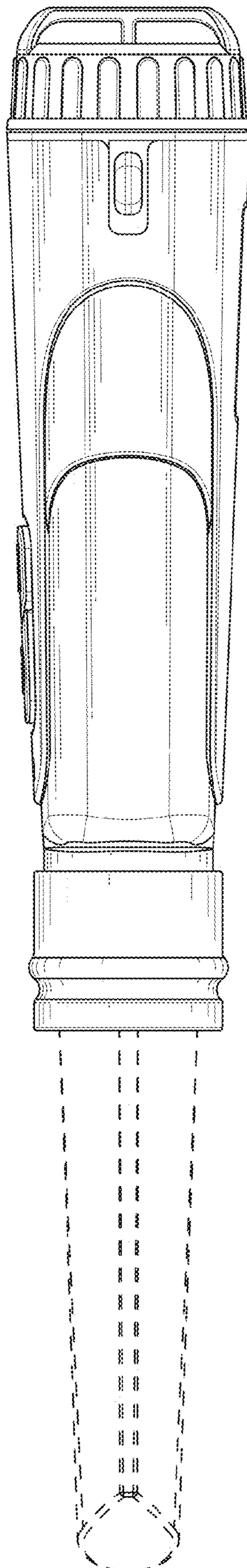


FIG. 9