



US00D964864S

(12) **United States Design Patent**  
**Zheng**

(10) **Patent No.:** **US D964,864 S**

(45) **Date of Patent:** **\*\* Sep. 27, 2022**

(54) **SMARTWATCH CASE WITH BAND**

(71) Applicant: **Xiaolong Zheng**, Leiyang (CN)

(72) Inventor: **Xiaolong Zheng**, Leiyang (CN)

(\*\*) Term: **15 Years**

(21) Appl. No.: **29/778,830**

(22) Filed: **Apr. 15, 2021**

(51) **LOC (13) Cl.** ..... **11-02**

(52) **U.S. Cl.**  
USPC ..... **D10/32; D11/3**

(58) **Field of Classification Search**  
USPC ..... D11/1-3, 1-5; D10/30, 31, 32; D14/344  
CPC ..... A44C 5/00; A44C 5/0053; A44C 5/0069;  
A44C 5/16; A44C 5/20

See application file for complete search history.

(56) **References Cited**

**U.S. PATENT DOCUMENTS**

D293,892 S *	1/1988	Ichikawa	.....	D10/30
D325,530 S *	4/1992	Moriai	.....	D10/30
D359,001 S *	6/1995	Nakai	.....	D10/30
D364,571 S *	11/1995	Goto	.....	D10/30
D370,639 S *	6/1996	Morishima	.....	D10/38
D390,789 S *	2/1998	Sugita	.....	D10/30
D409,941 S *	5/1999	Spandrio	.....	D11/3
D504,828 S *	5/2005	Moriai	.....	D10/30
D525,881 S *	8/2006	Shiraishi	.....	D10/38
D563,256 S *	3/2008	Borraccino	.....	D10/32
D618,127 S *	6/2010	Galli	.....	D11/3
D728,409 S *	5/2015	Bar-Am	.....	D11/3
D732,414 S *	6/2015	Cerrato	.....	D11/3
D792,241 S *	7/2017	White	.....	D10/30
D792,795 S *	7/2017	Cerrato	.....	D11/3
D793,271 S *	8/2017	Cerrato	.....	D11/3
D798,744 S *	10/2017	Wright	.....	A45C 13/008
				D10/30
D799,988 S *	10/2017	White	.....	D10/30
D814,943 S *	4/2018	White	.....	D10/32
D845,162 S *	4/2019	Shannon	.....	D11/3

D848,894 S *	5/2019	Yu	.....	D11/3
D854,960 S *	7/2019	Yu	.....	D11/3
D860,033 S *	9/2019	Quan	.....	D11/3
D912,535 S	3/2021	Dicks		
D912,562 S	3/2021	Zhou		
D912,676 S	3/2021	Wright et al.		
D927,992 S *	8/2021	Kojima	.....	D10/38
D932,321 S *	10/2021	Jung	.....	D10/32
D940,704 S *	1/2022	Weng	.....	D14/344
D942,483 S *	2/2022	Xie	.....	D10/32

(Continued)

**OTHER PUBLICATIONS**

Moving Fortress—Classic Series Watch Band, earliest review available Nov. 2, 2020, online. Site visited Nov. 19, 2021. URL:<“https://amband.com/products/amband-iwatch-protector?variant=40423178698957”> (Year: 2020).\*

(Continued)

*Primary Examiner* — Llorellys Martinez

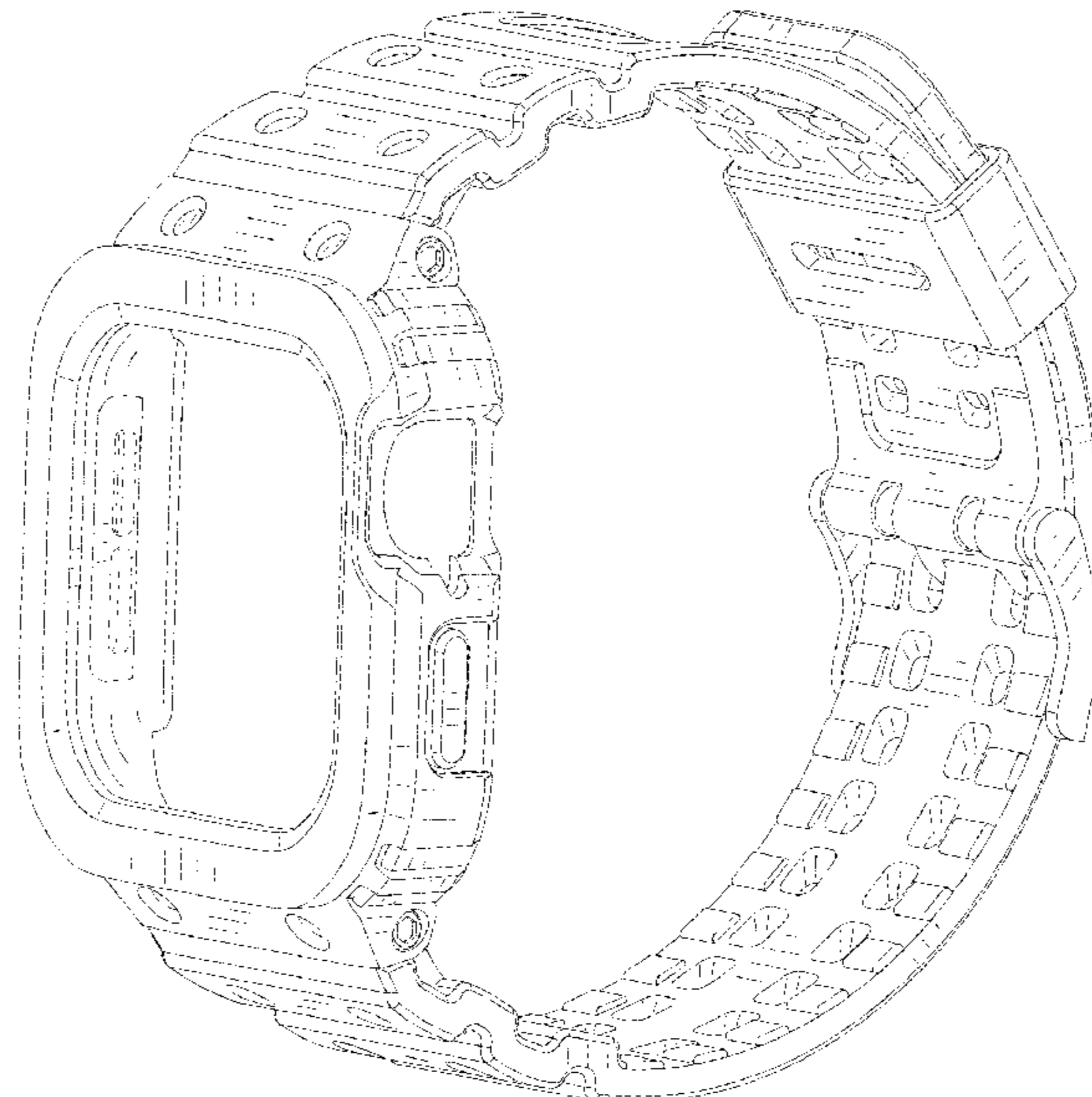
(57) **CLAIM**

The ornamental design for a smartwatch case with band, as shown and described.

**DESCRIPTION**

FIG. 1 is a first perspective view of a smartwatch case with band showing my design;  
FIG. 2 is a second perspective view thereof;  
FIG. 3 is a front view thereof;  
FIG. 4 is a back side view thereof;  
FIG. 5 is a left side view thereof;  
FIG. 6 is a right view thereof;  
FIG. 7 is a top view thereof; and,  
FIG. 8 is a bottom view thereof.  
The broken lines in the drawings illustrate portions of the smartwatch case with band that form no part of the claimed design.

**1 Claim, 8 Drawing Sheets**



(56)

**References Cited**

U.S. PATENT DOCUMENTS

D949,711 S \* 4/2022 Huang ..... D10/32  
D955,912 S \* 6/2022 Ma ..... D10/32  
2018/0235327 A1\* 8/2018 Bayley ..... A44C 5/0053

OTHER PUBLICATIONS

AmBand Bands Case Compatible with Apple Watch, Youtube.com,  
for sale since at least Feb. 2, 2021, online. Site visited on Nov.  
16, 2021. URL:<"https://www.amazon.com/gp/product/B098K59  
NWB/"> (Year: 2021).\*

\* cited by examiner

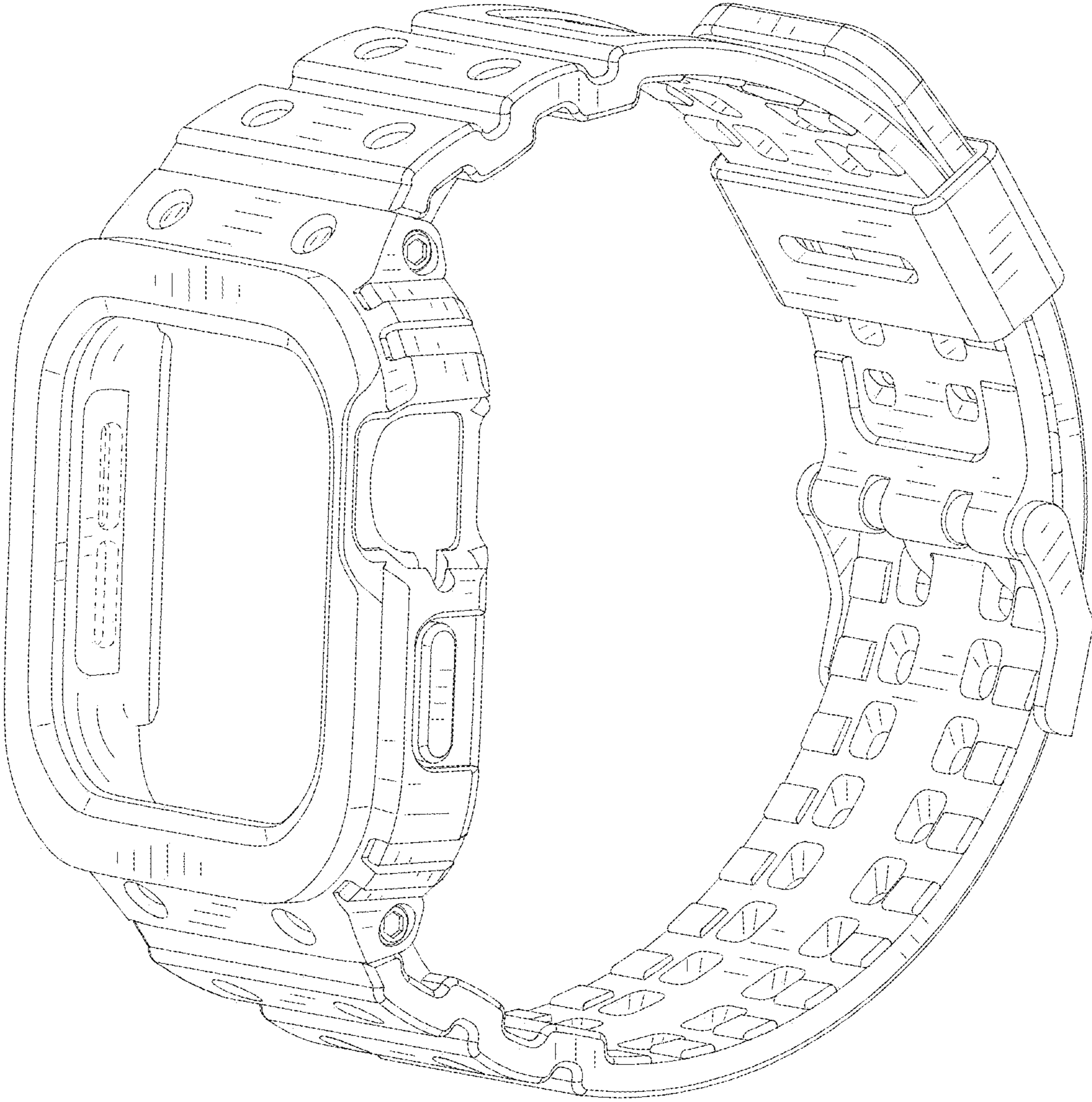


FIG. 1

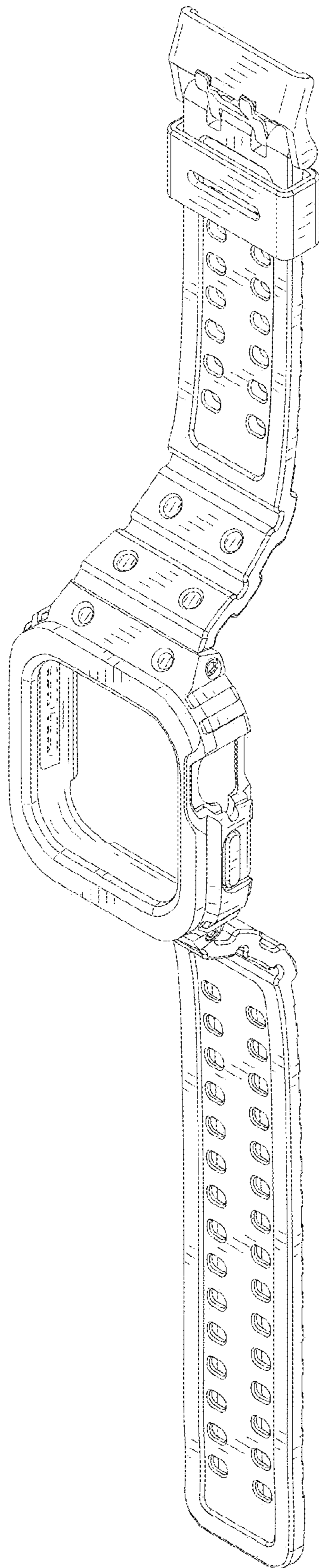


FIG. 2

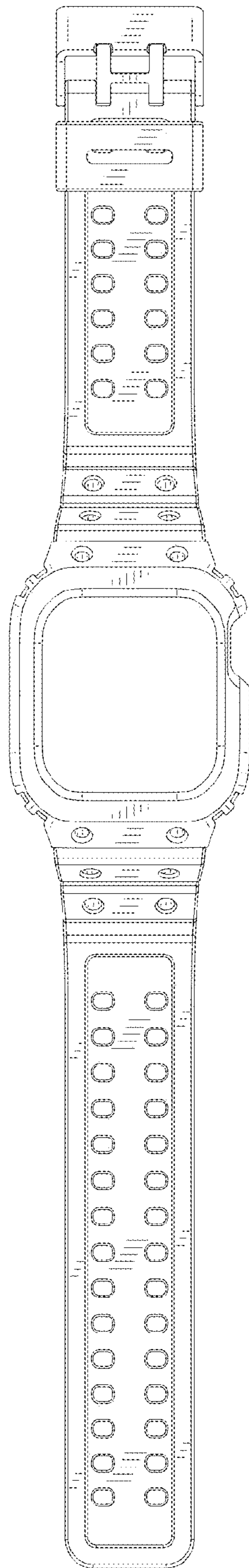


FIG. 3

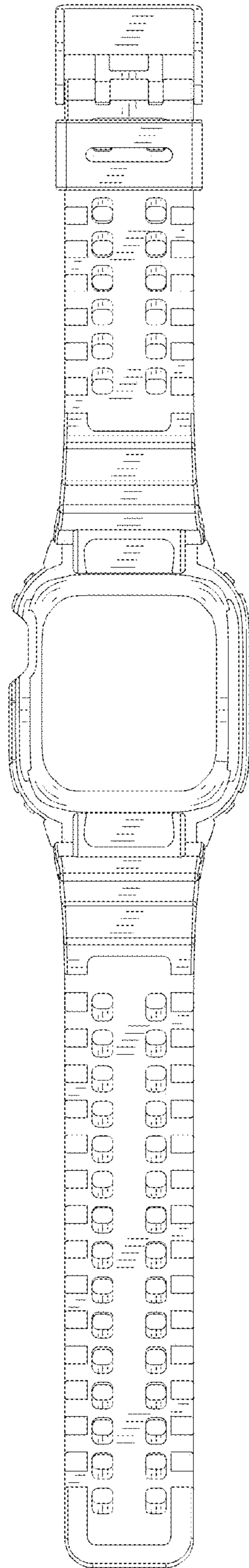


FIG. 4

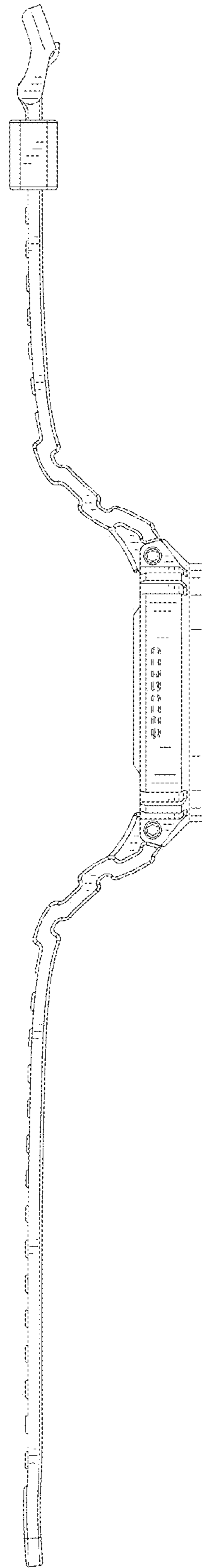


FIG. 5

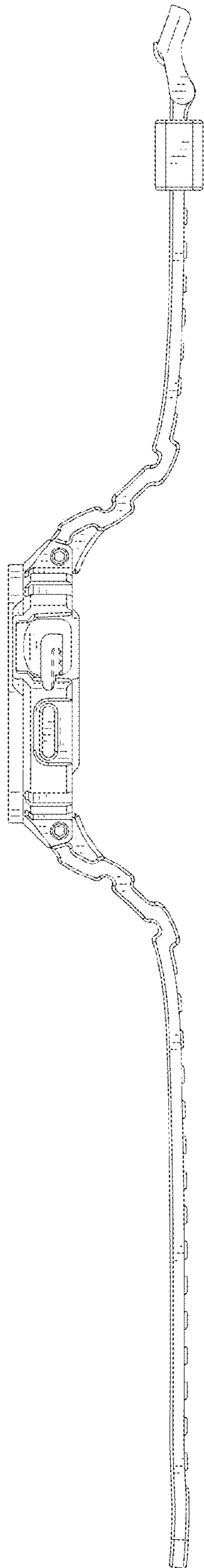


FIG. 6



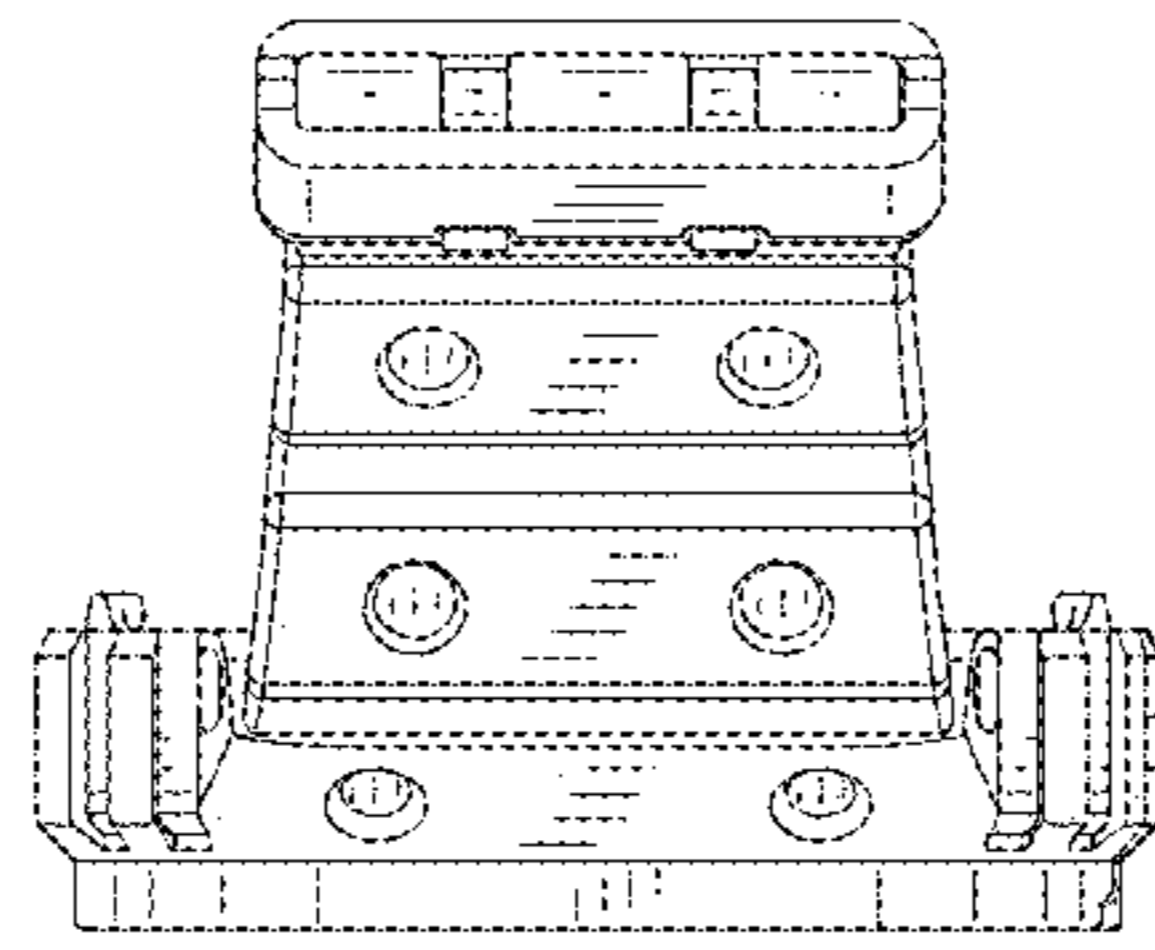


FIG. 7

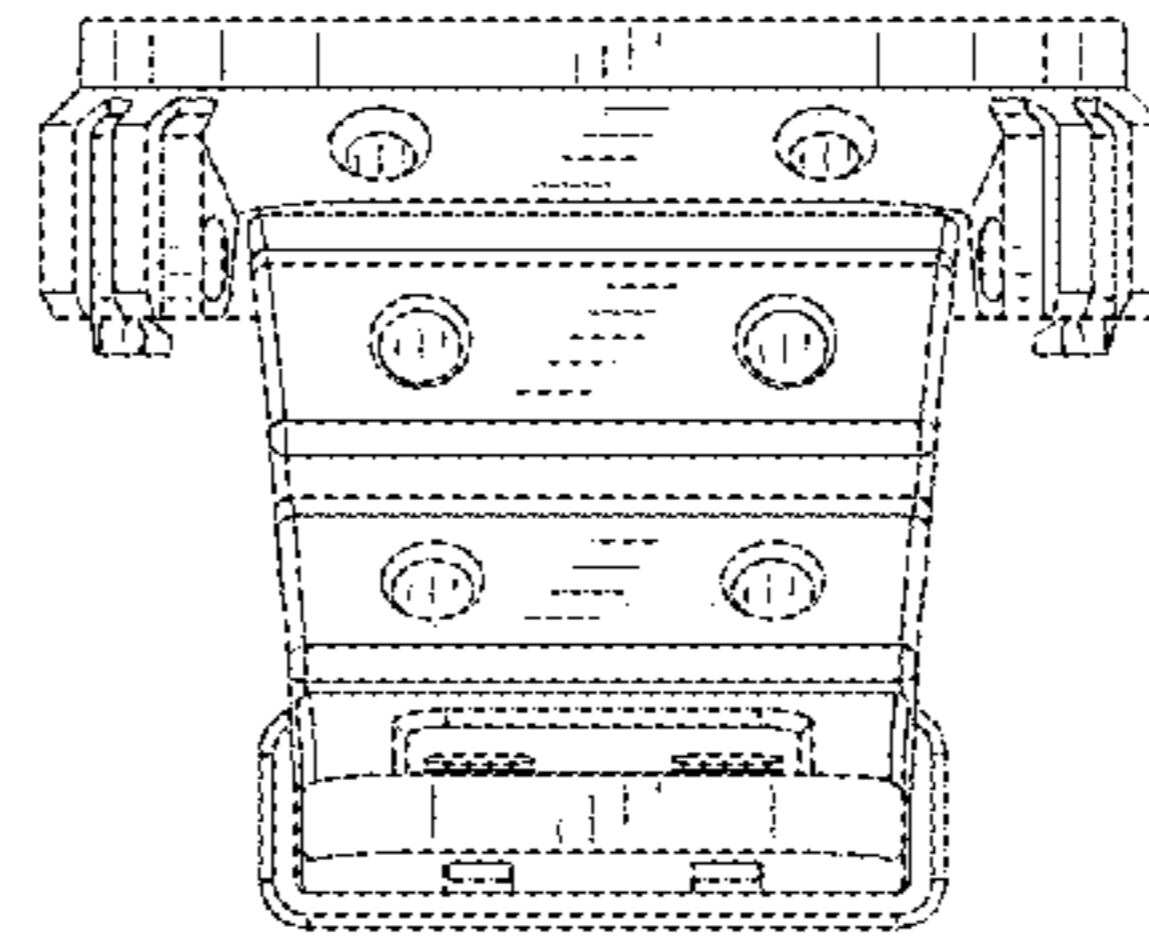


FIG. 8