

US00D964863S

(12) **United States Design Patent** (10) **Patent No.:** **US D964,863 S**
Yu (45) **Date of Patent:** **** Sep. 27, 2022**

(54) **DIGITAL ALARM CLOCK**
(71) Applicant: **FUZHOU ESUN ELECTRONIC CO., LTD**, Fuzhou (CN)

D955,229 S * 6/2022 Zhou D10/2
D955,895 S * 6/2022 Yu D10/15
D957,265 S * 7/2022 Bai D10/15
D957,954 S * 7/2022 Xie D10/15

(72) Inventor: **Guo Yu**, Yichun (CN)

FOREIGN PATENT DOCUMENTS

(**) Term: **15 Years**

CN 202030528067.9 * 9/2020

(21) Appl. No.: **29/813,107**

OTHER PUBLICATIONS

(22) Filed: **Oct. 26, 2021**

Amazon, AZUTTE Digital Alarm Clock Radio, posted Nov. 4, 2019, [online], [visited Jul. 25, 2022]. Internet, <URL: https://www.amazon.com/AZUTTA-Digital-Alarm-Clock-Radio/dp/B07ZZCB1DF/ref?th=1> (Year: 2019).*

(51) **LOC (13) Cl.** **10-01**

(52) **U.S. Cl.**
USPC **D10/15**

Amazon, USCCE Digital Alarm Clock Radio, posted May 9, 2020, [online], [visited Jul. 25, 2022]. Internet, <URL: https://www.amazon.com/dp/B088CXV44D/ref?th=1 (Year: 2021).*

(58) **Field of Classification Search**
USPC D10/1, 2, 5, 6, 7, 14, 15, 18, 17, 20, 21, D10/22, 24, 48; D26/54, 51; D14/137, D14/155, 188, 189, 265, 171
CPC .. G04G 5/00; G04G 5/02; G04G 9/00; G04G 9/0005; G04G 9/0017; G04G 9/0023; G04G 13/00; G04G 13/02; G04G 13/021; G04G 13/023; G04G 13/028; G04G 5/04
See application file for complete search history.

(Continued)

Primary Examiner — Samantha Wood

(57) **CLAIM**

The ornamental design for a digital alarm clock, as shown and described.

DESCRIPTION

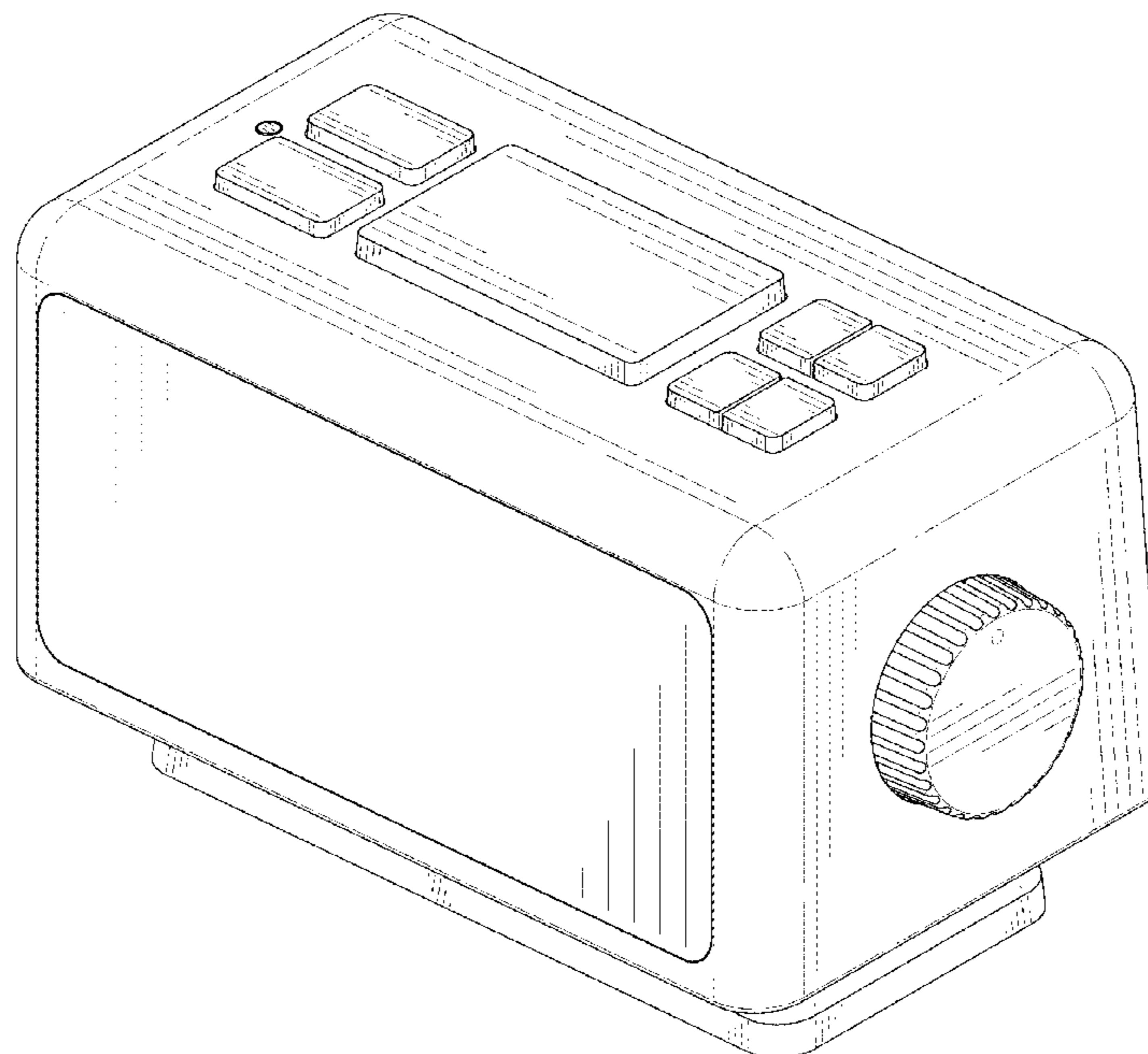
(56) **References Cited**

U.S. PATENT DOCUMENTS

D229,212 S * 11/1973 Nagata D10/15
D233,419 S * 10/1974 Lubs D10/15
D238,965 S * 2/1976 Mansfield D10/2
D245,981 S * 10/1977 Ludwick D10/2
D251,428 S * 3/1979 Makino D10/2
D261,765 S * 11/1981 Mishiro D10/2
D266,422 S * 10/1982 Yip D10/2
D875,554 S * 2/2020 Bai D10/15
D888,686 S * 6/2020 Cheng D14/214
D895,441 S 9/2020 Yu
D929,241 S * 8/2021 Yu D10/2
D940,573 S * 1/2022 Luo D10/2

FIG. 1 is a front and top perspective view of a digital alarm clock, showing my new design;
FIG. 2 is a rear and bottom perspective view thereof;
FIG. 3 is a front elevation view thereof;
FIG. 4 is a rear elevation view thereof;
FIG. 5 is a left side elevation view thereof;
FIG. 6 is a right side elevation view thereof;
FIG. 7 is a top plan view thereof; and,
FIG. 8 is a bottom plan view thereof.
The broken lines in the figures illustrate portions of the digital alarm clock that form no part of the claimed design.

1 Claim, 8 Drawing Sheets



(56)

References Cited

OTHER PUBLICATIONS

Amazon, Horologue Digital Alarm Clock Radio with Dual Alarm, posted Oct. 13, 2020, [online], [visited Jul. 25, 2022]. Internet, <URL: <https://www.amazon.com/Horologue-Digital-Temperature-Display-Adjustable/dp/B08KD29TB4/ref>> (Year: 2020).*

Amazon, Bureze Digoo Simplified Alarm Clock, posted Nov. 9, 2018, [online], [visited Jul. 25, 2022]. Internet, <URL: <https://www.amazon.co.uk/Brother-Simplified-Backlight-Temperature-Humidit/dp/B07KCMP6YM/ref>> (Year: 2018).*

* cited by examiner

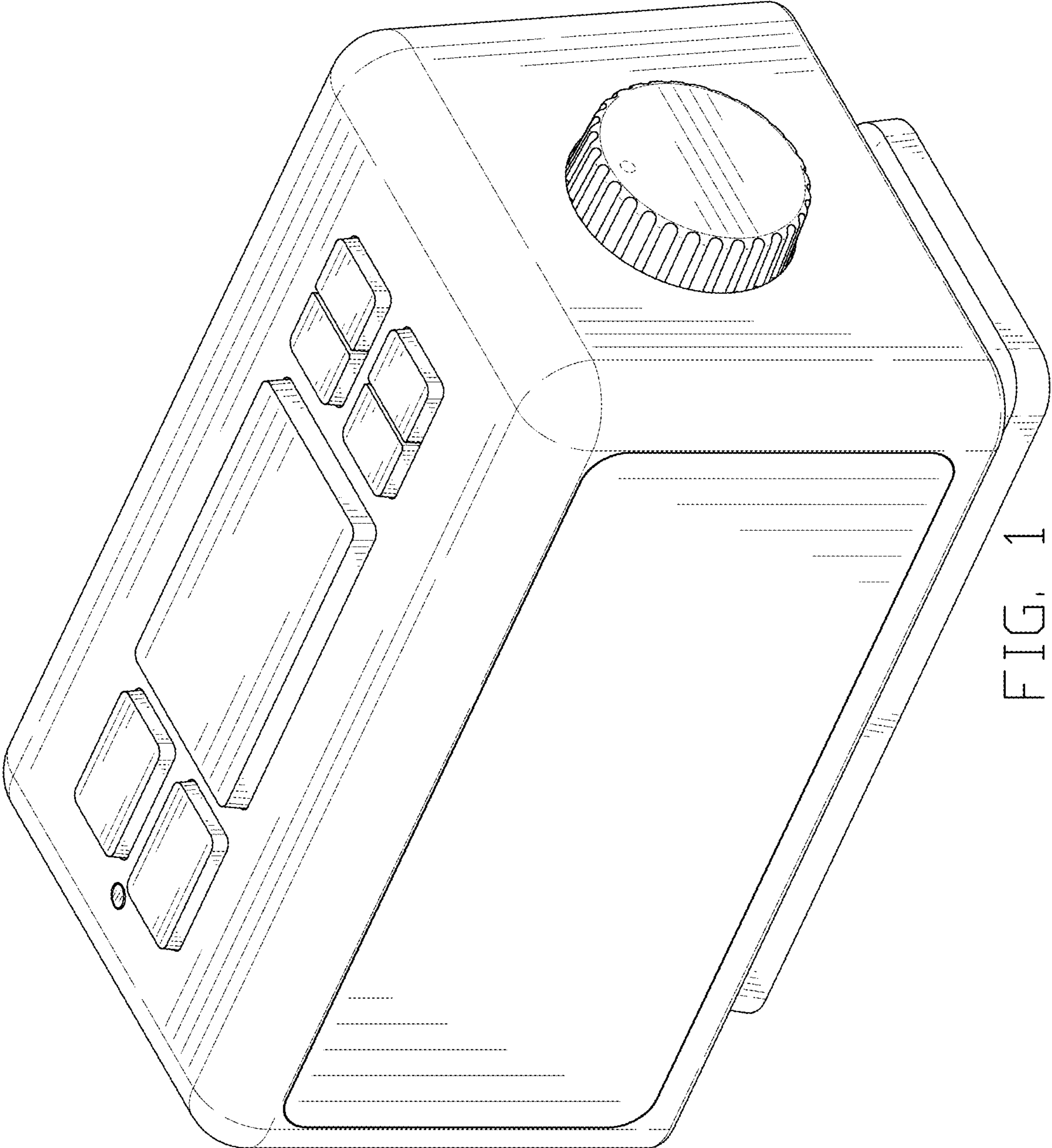


FIG. 1

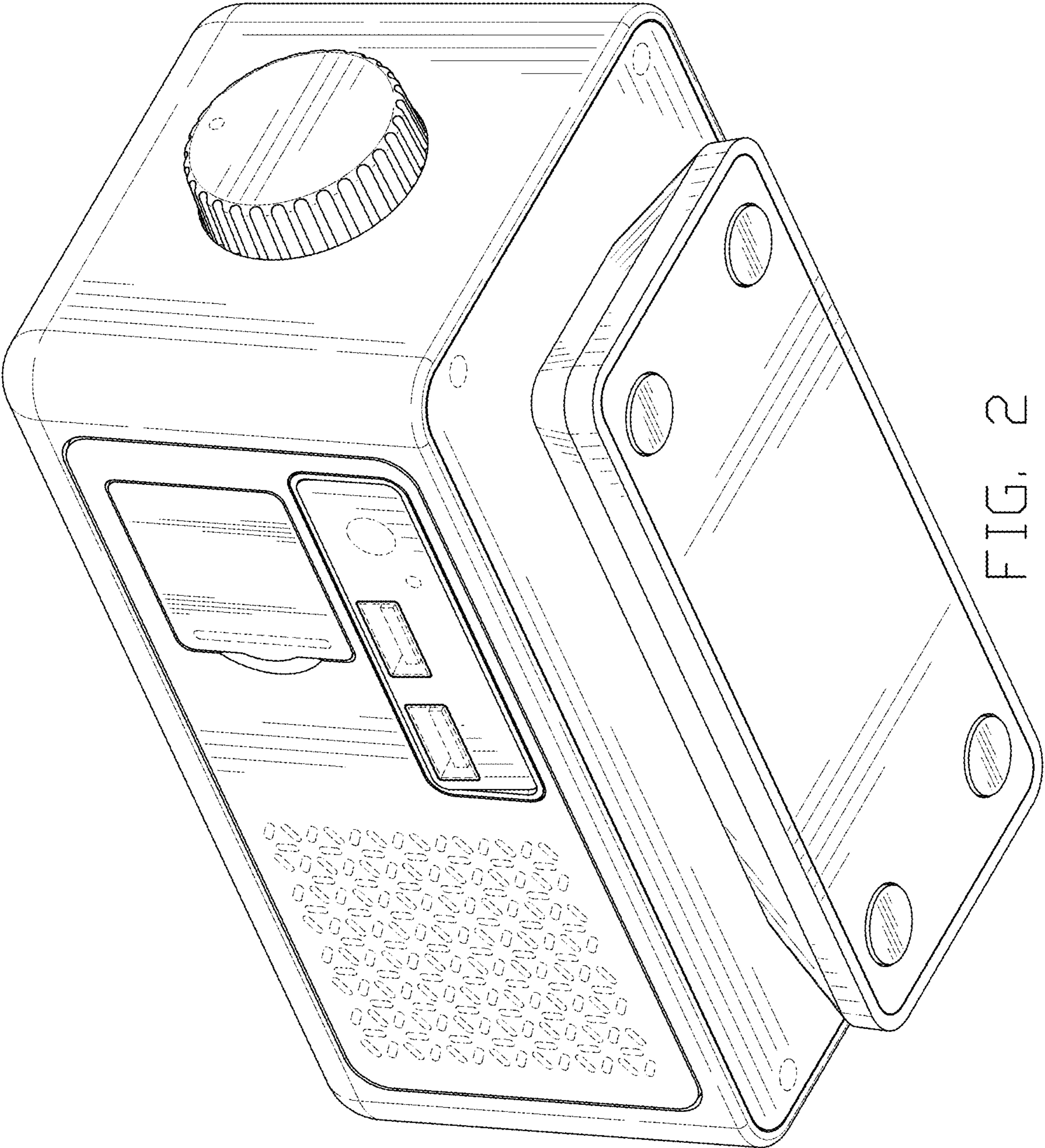


FIG. 2

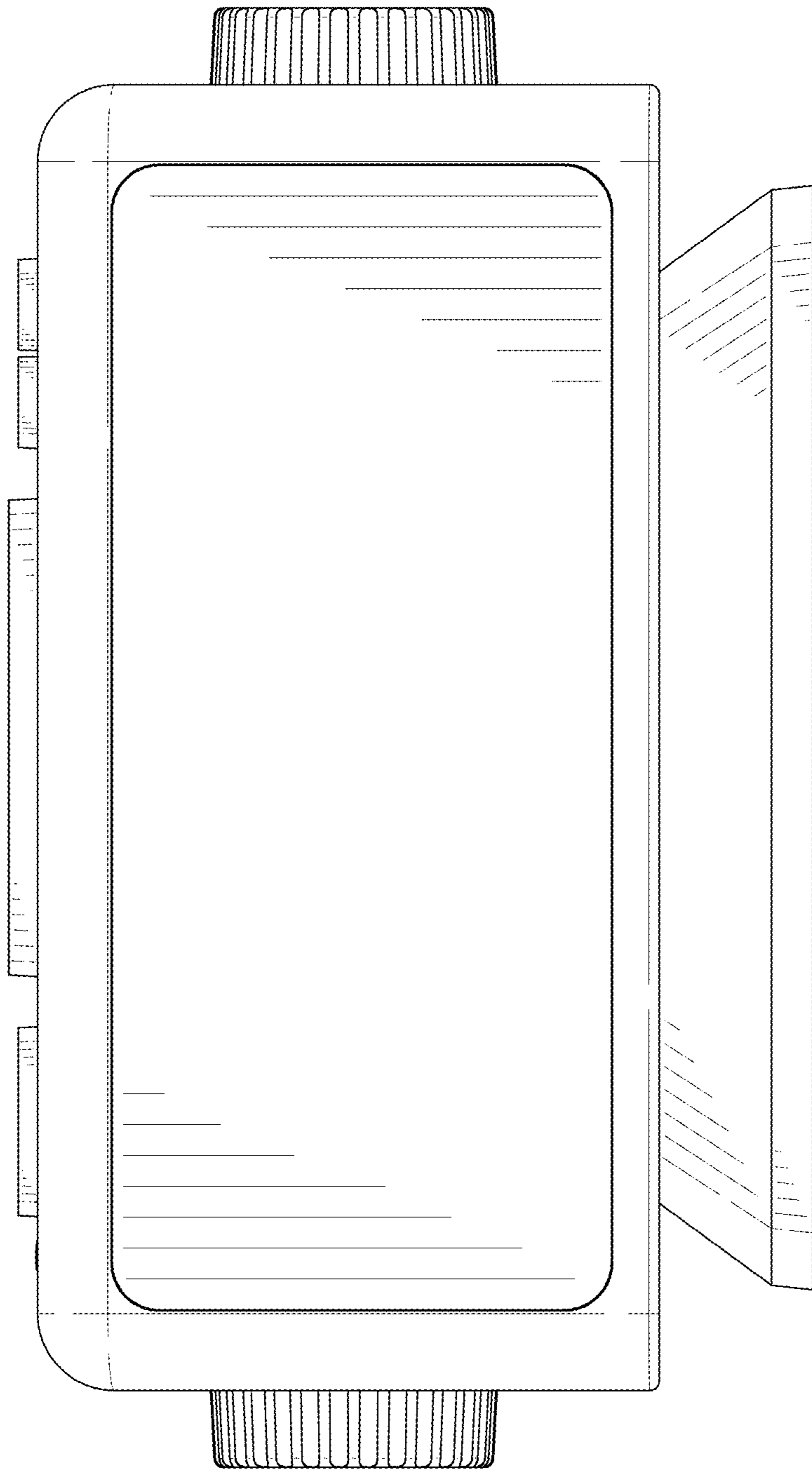


FIG. 3

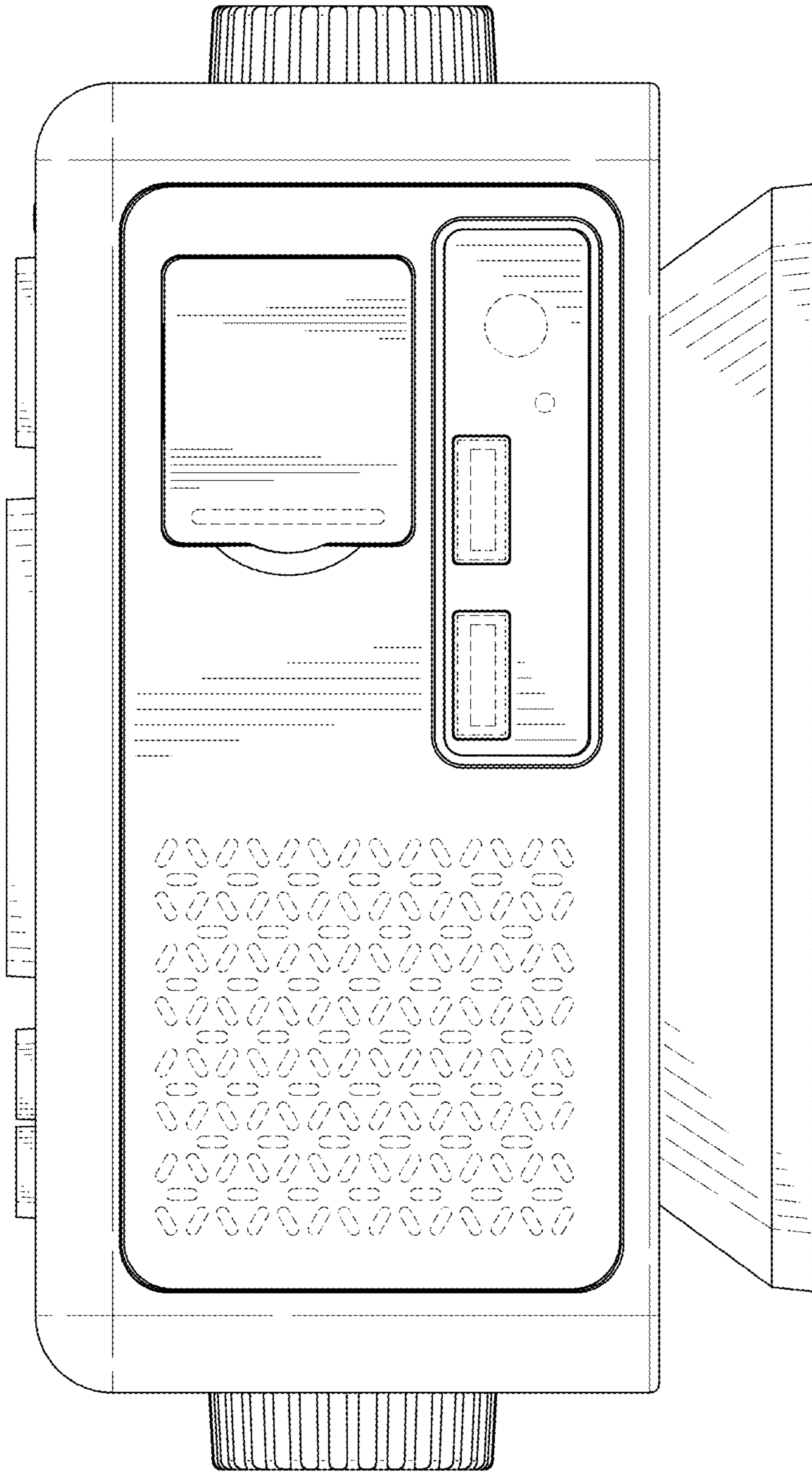


FIG. 4

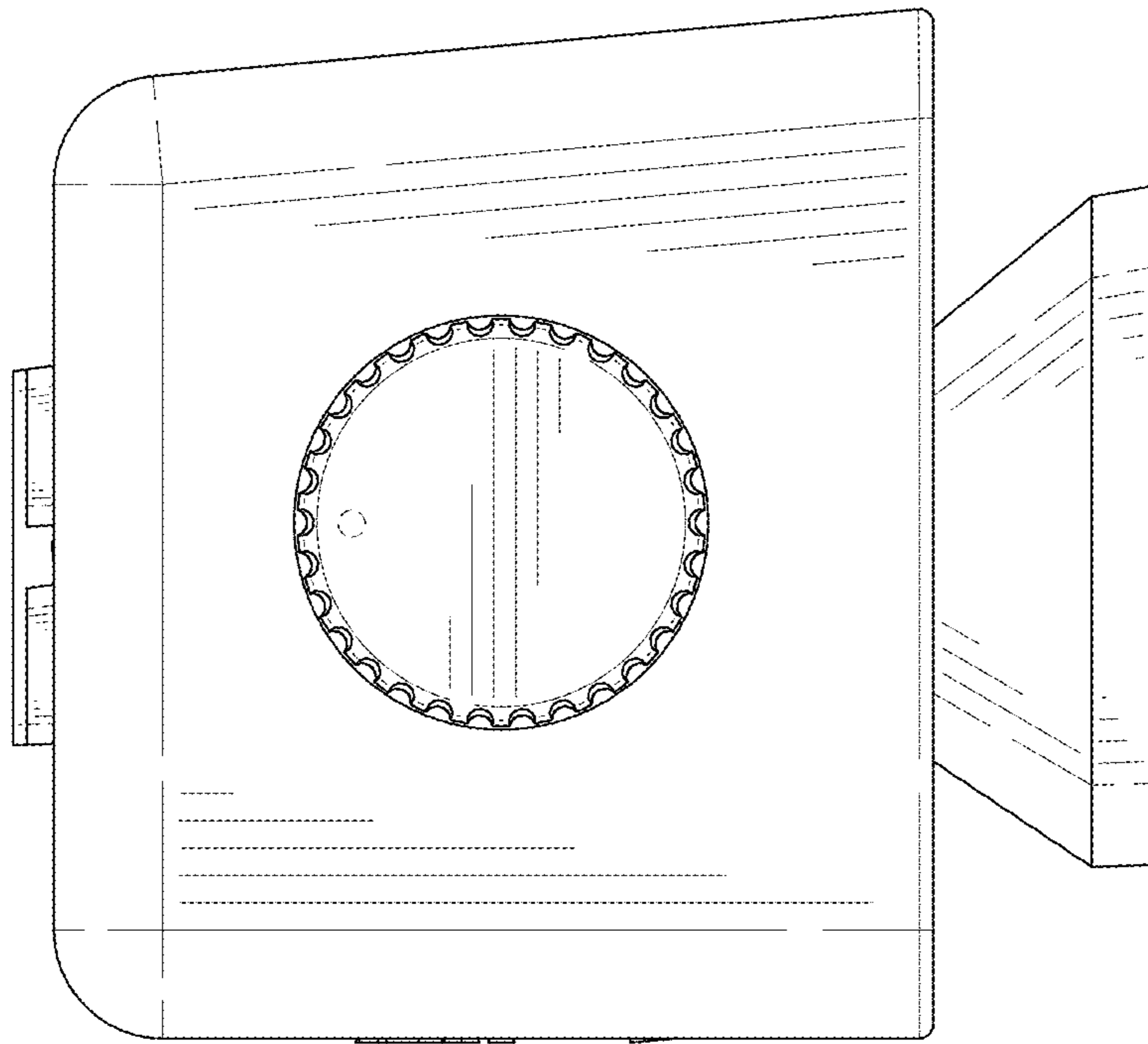


FIG. 5

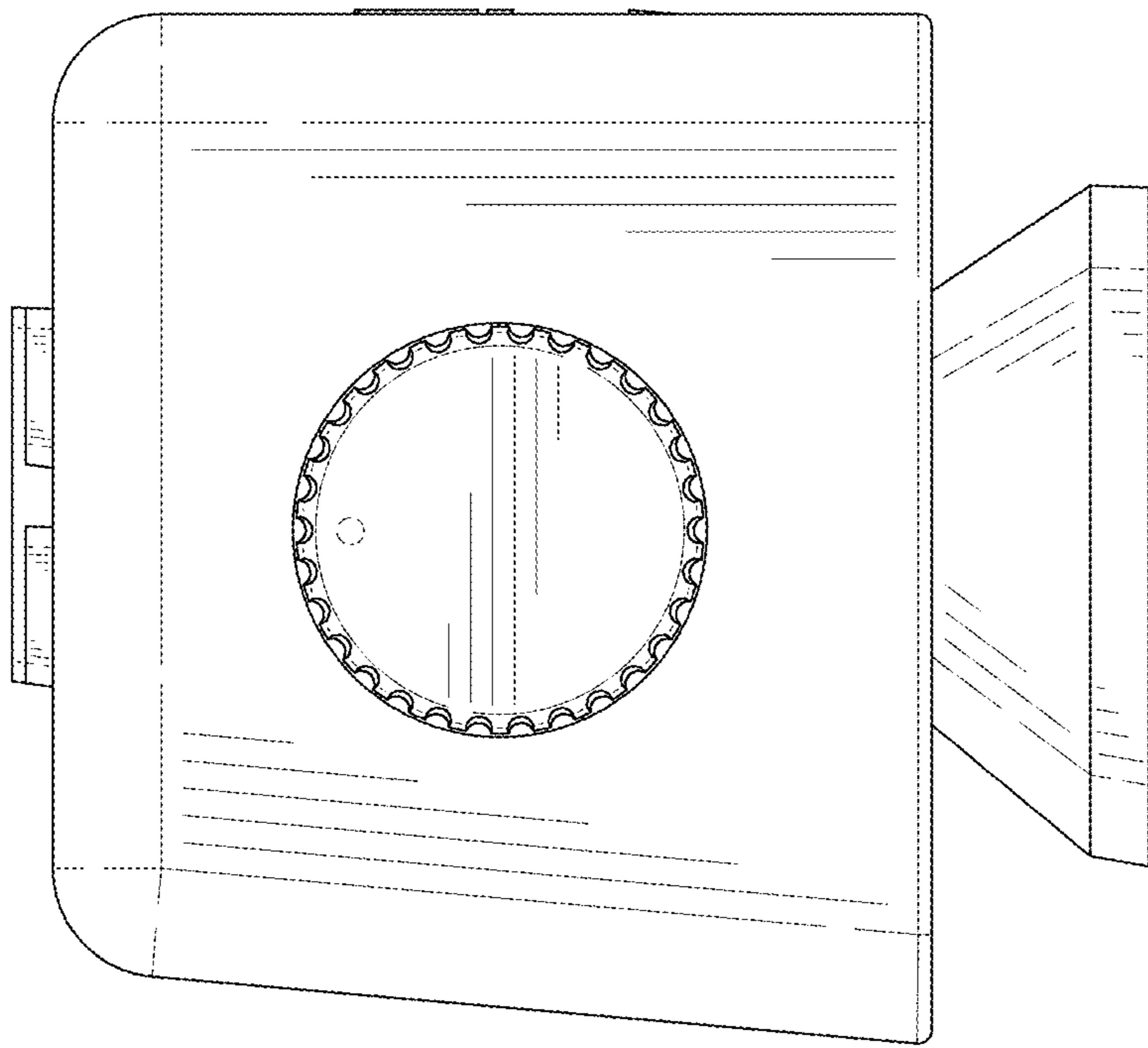


FIG. 6

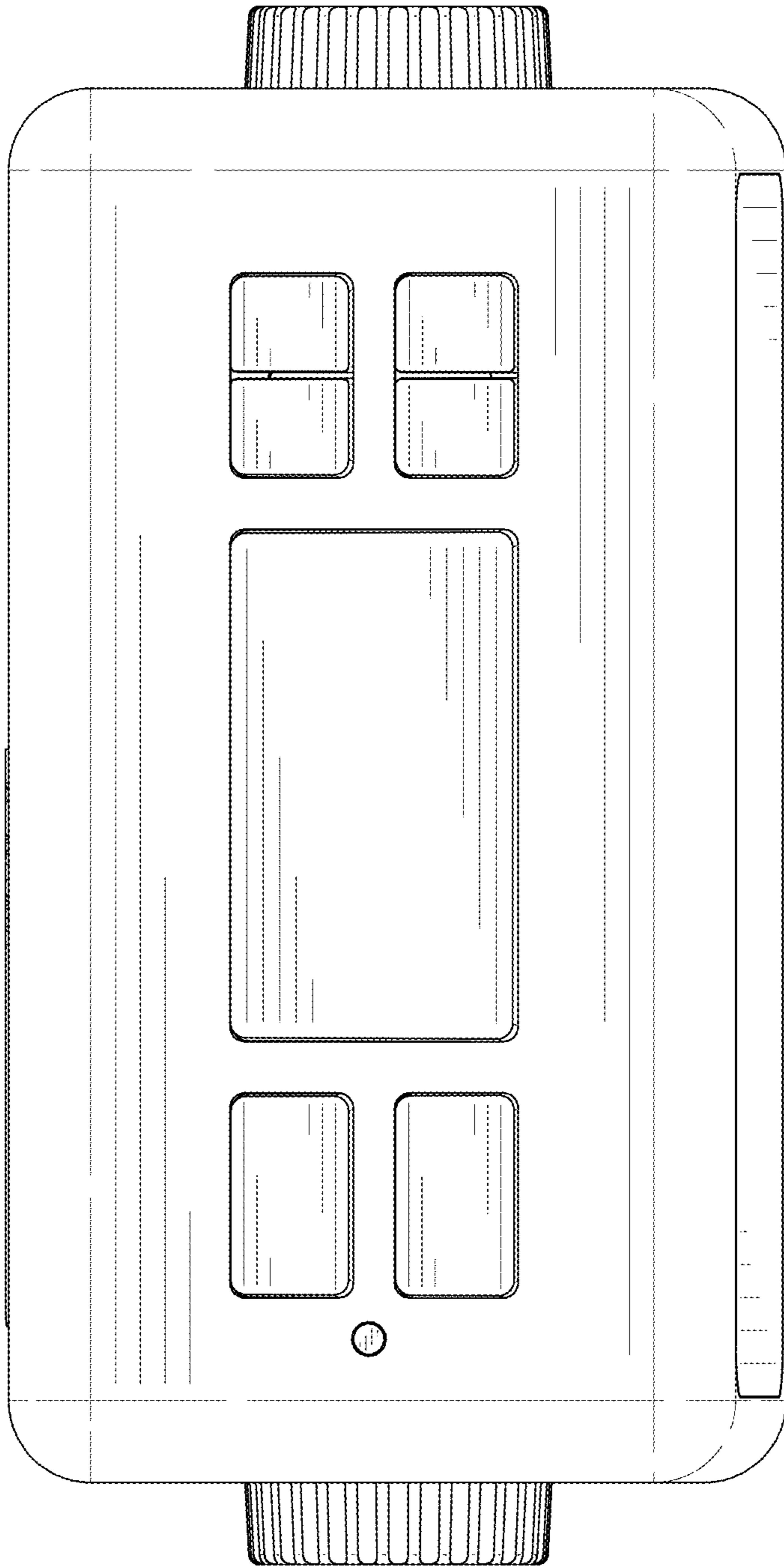


FIG. 7

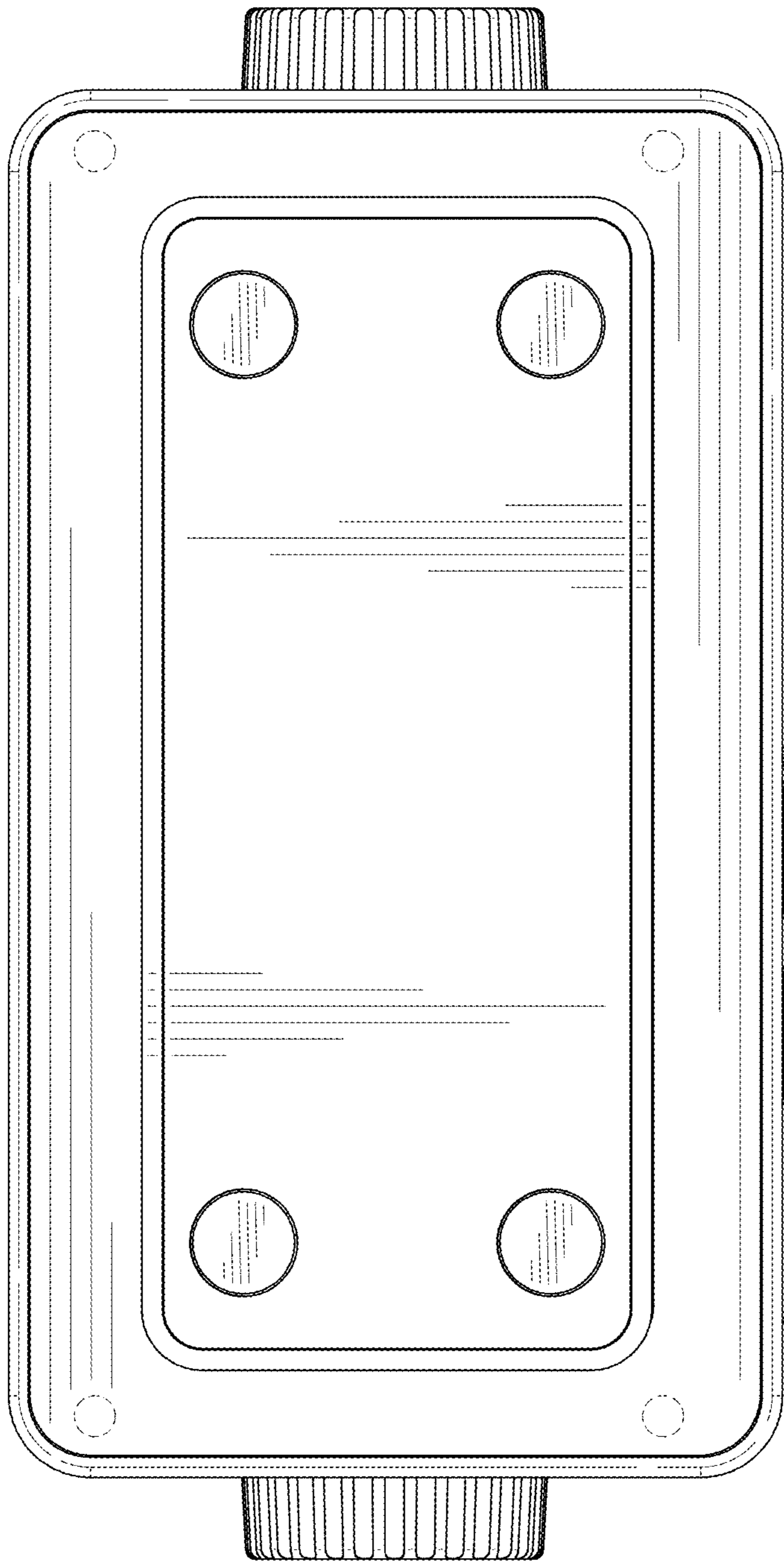


FIG. 8