

US00D964859S

(12) **United States Design Patent** (10) **Patent No.:** **US D964,859 S**
Domingos (45) **Date of Patent:** **** Sep. 27, 2022**

(54) **SLEEVE FOR CUPS AND OTHER CONTAINERS**

(71) Applicant: **Jared Domingos**, Scotia, NY (US)

(72) Inventor: **Jared Domingos**, Scotia, NY (US)

(**) Term: **15 Years**

(21) Appl. No.: **29/773,948**

(22) Filed: **Mar. 12, 2021**

(51) **LOC (13) Cl.** **09-05**

(52) **U.S. Cl.**
USPC **D9/711**

(58) **Field of Classification Search**

USPC D9/702-714, 695-699, 435, 440, 521, D9/454, 544, 723-724, 499, 449, D9/727-728, 442, 447, 504; 222/92, 96, 222/107, 527-529, 215, 491, 206, 222/212-213, 251, 95, 536; 206/438, 206/822, 527; 220/DIG. 7, 669; 215/321, 382, 316, 380; 141/114-115; D28/91.1, 76-78, 82, 88; D24/114; D3/202, 205, 203.2, 270, 271.1-271.4; D7/510, 514-520, 599, 601-602, D7/612-615, 619.2, 628-629
CPC B65D 1/0223; B65D 1/02; B65D 1/10; B65D 1/46; B65D 23/00; B65D 2585/00; B65D 2585/08; B65D 81/60; B65D 81/365; B65D 81/366; B65D 81/368; B65D 81/18; B65D 81/3876; B65D 81/3886; F25D 3/08; F25D 3/02; A45C 11/20; A45F 3/18; A47G 23/0241; A47G 23/0266; A47B 55/00; A47B 55/02; A47B 73/00; A47B 73/006; A47B 73/008; A47B 69/00

See application file for complete search history.

(56) **References Cited**

U.S. PATENT DOCUMENTS

D643,746 S *	8/2011	Yoe, III	D9/711
D688,568 S *	8/2013	Noel	D9/711
D926,592 S *	8/2021	Kaplan	D9/711
2009/0302047 A1	12/2009	Anderson		
2012/0145732 A1	6/2012	Padek		
2013/0213986 A1	8/2013	Couvelier		
2014/0038804 A1	2/2014	Konkin		
2017/0273485 A1	9/2017	Rao		

FOREIGN PATENT DOCUMENTS

WO 2019009812 1/2019

* cited by examiner

Primary Examiner — Abraham Bahta

(74) *Attorney, Agent, or Firm* — Heslin Rothenberg Farley & Mesiti P.C.; Kristian E. Ziegler, Esq.

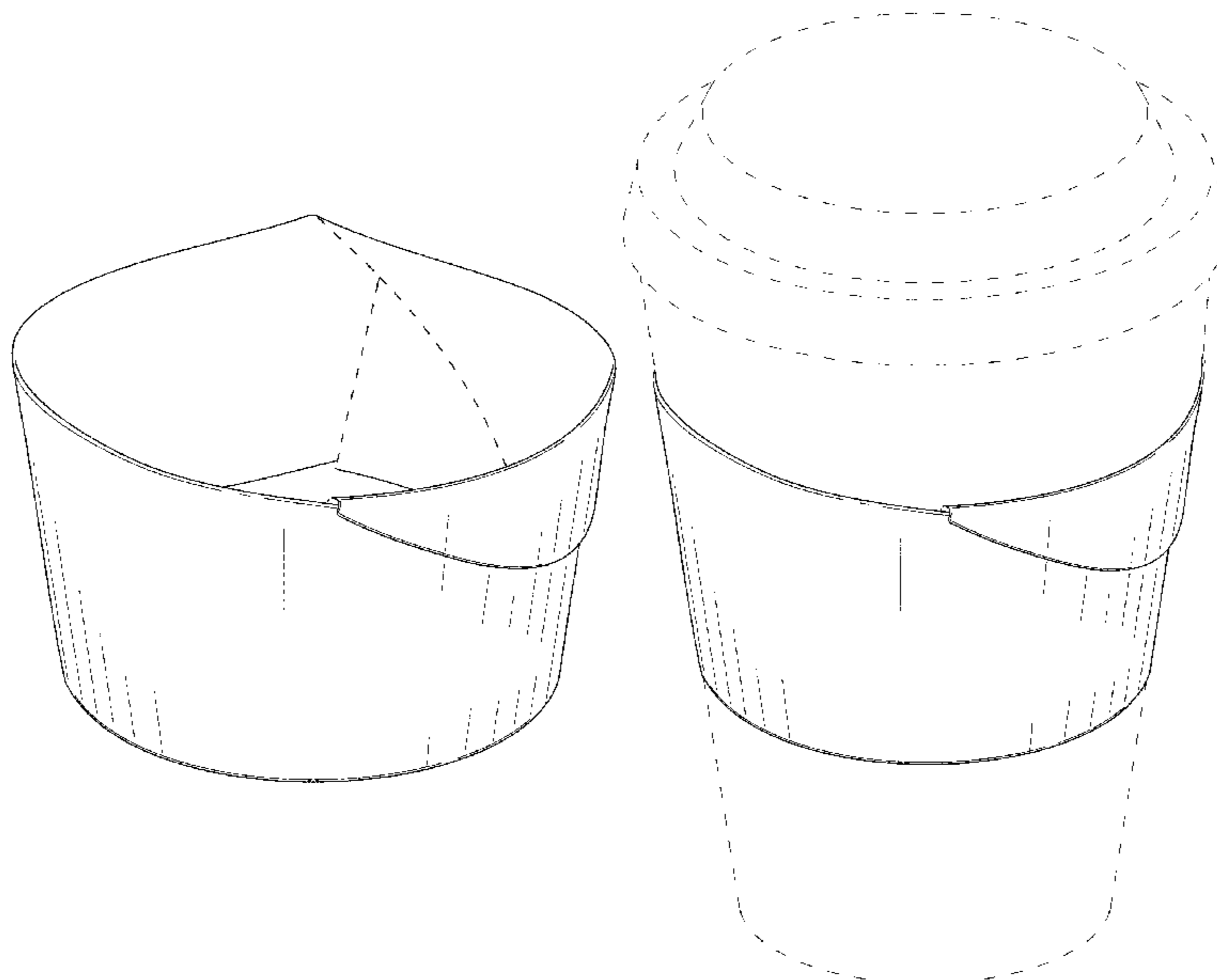
(57) **CLAIM**

The ornamental design for a sleeve for cups and other containers, as shown and described.

DESCRIPTION

FIG. 1 is a top perspective view of a sleeve for cups and other containers;
FIG. 2 is a back view thereof;
FIG. 3 is a front view thereof;
FIG. 4 is a side view thereof;
FIG. 5 is an opposite side view thereof;
FIG. 6 is a top view thereof
FIG. 7 is a bottom view thereof;
FIG. 8 is a perspective view thereof shown on a container;
FIG. 9 is a front perspective view thereof; and,
FIG. 10 is a side perspective view thereof.
The broken lines shown in the drawings illustrate portions of the container that form no part of the claimed design.

1 Claim, 10 Drawing Sheets



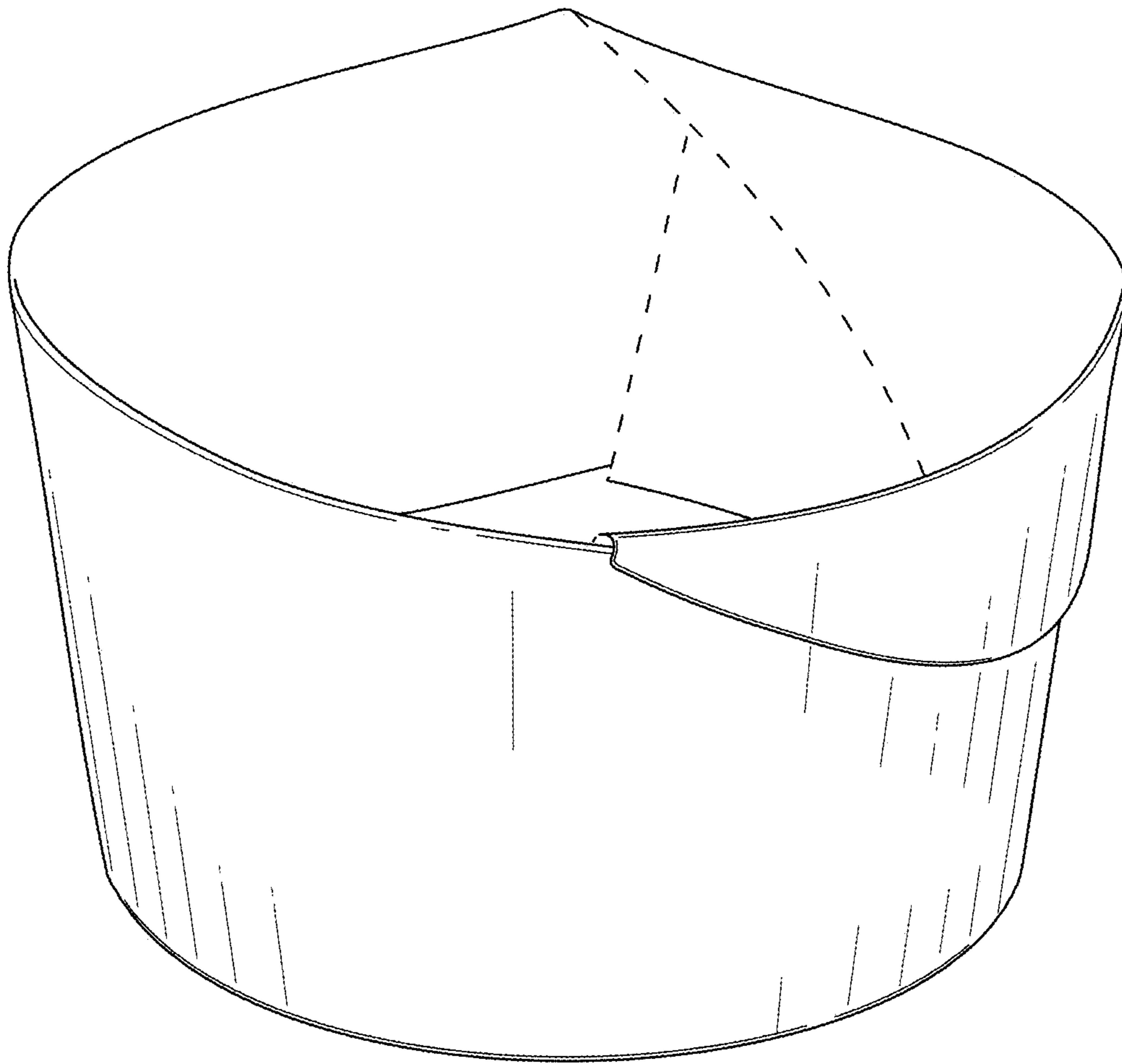


FIG. 1

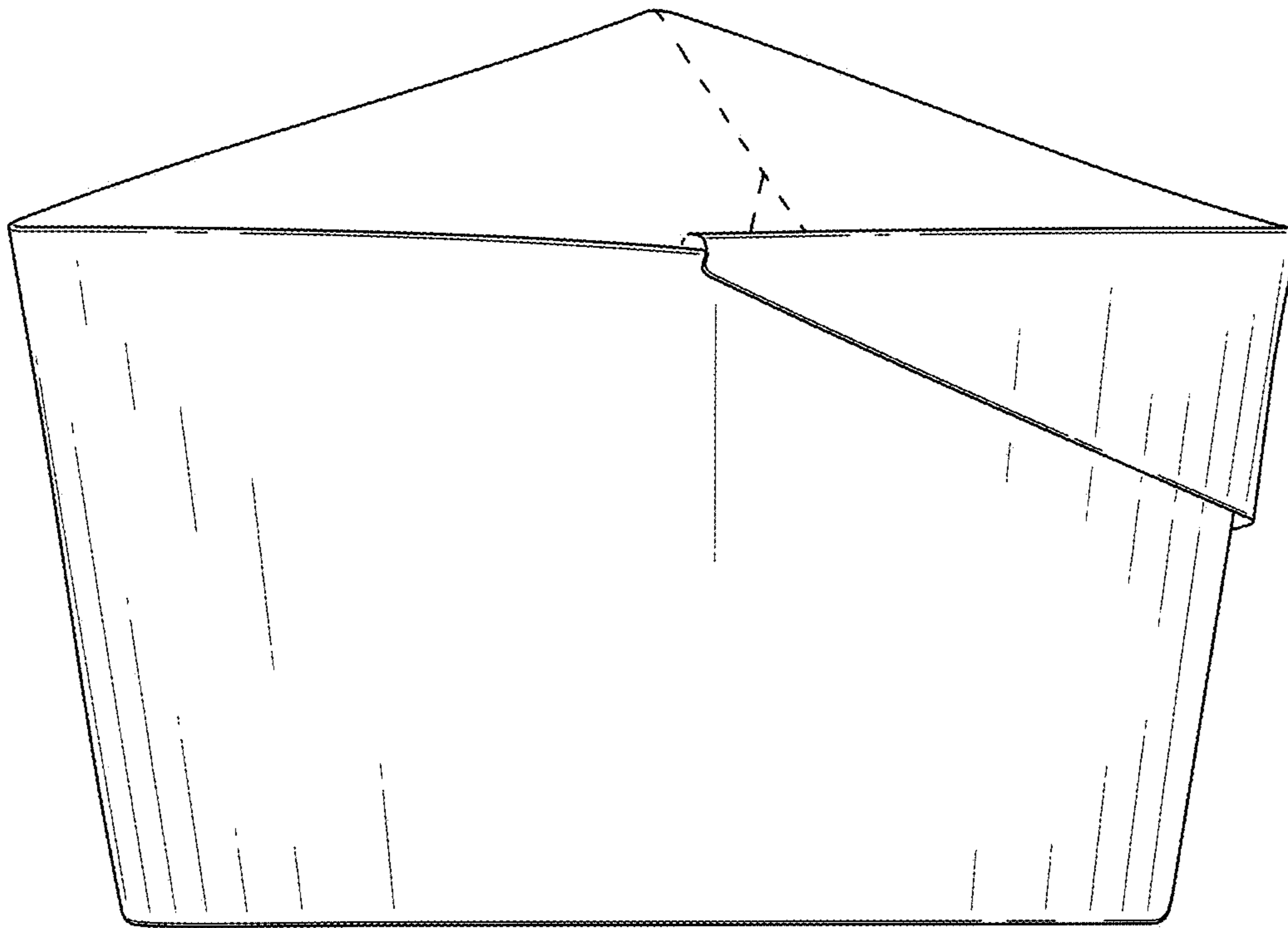


FIG. 2

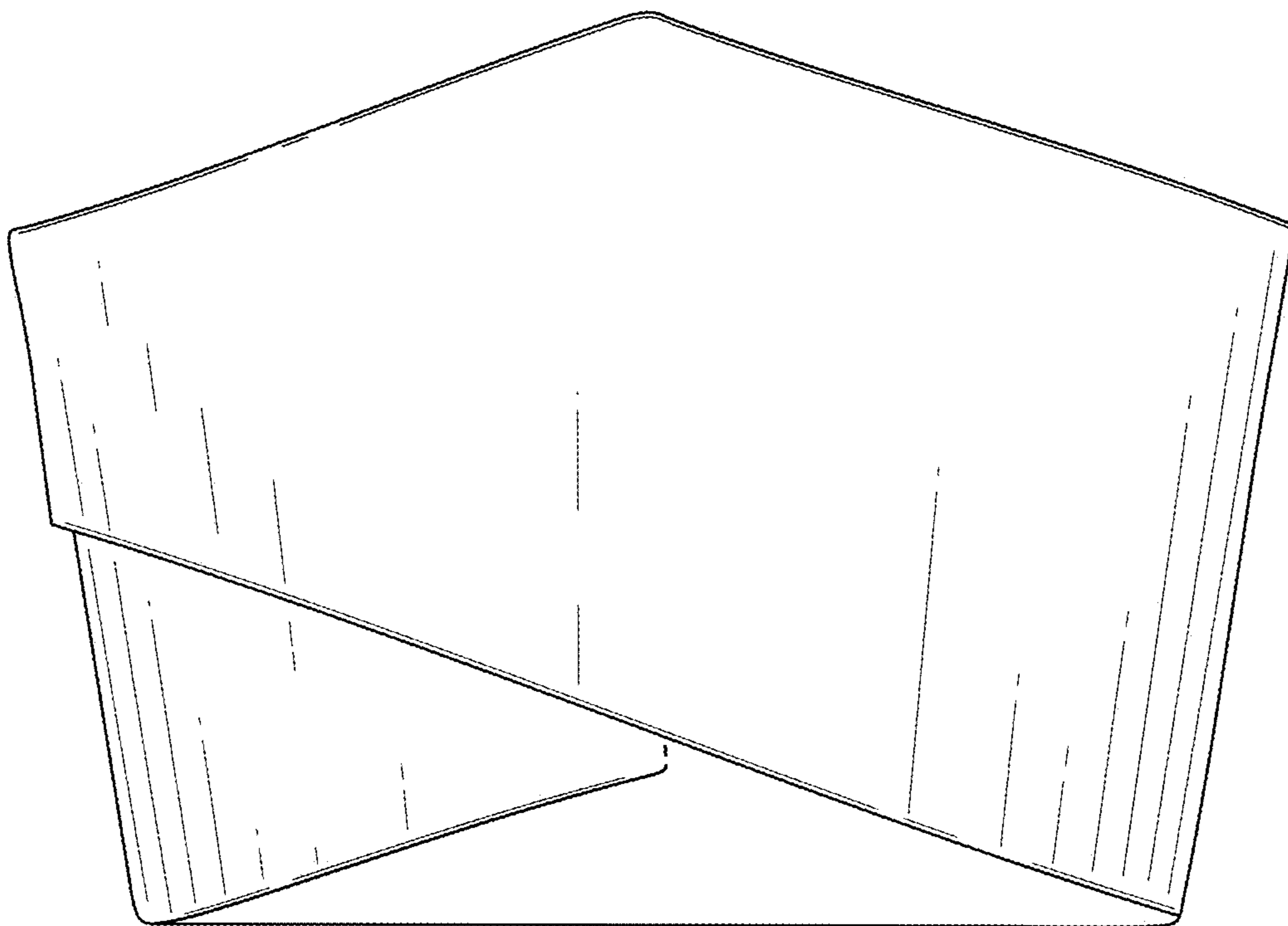


FIG. 3

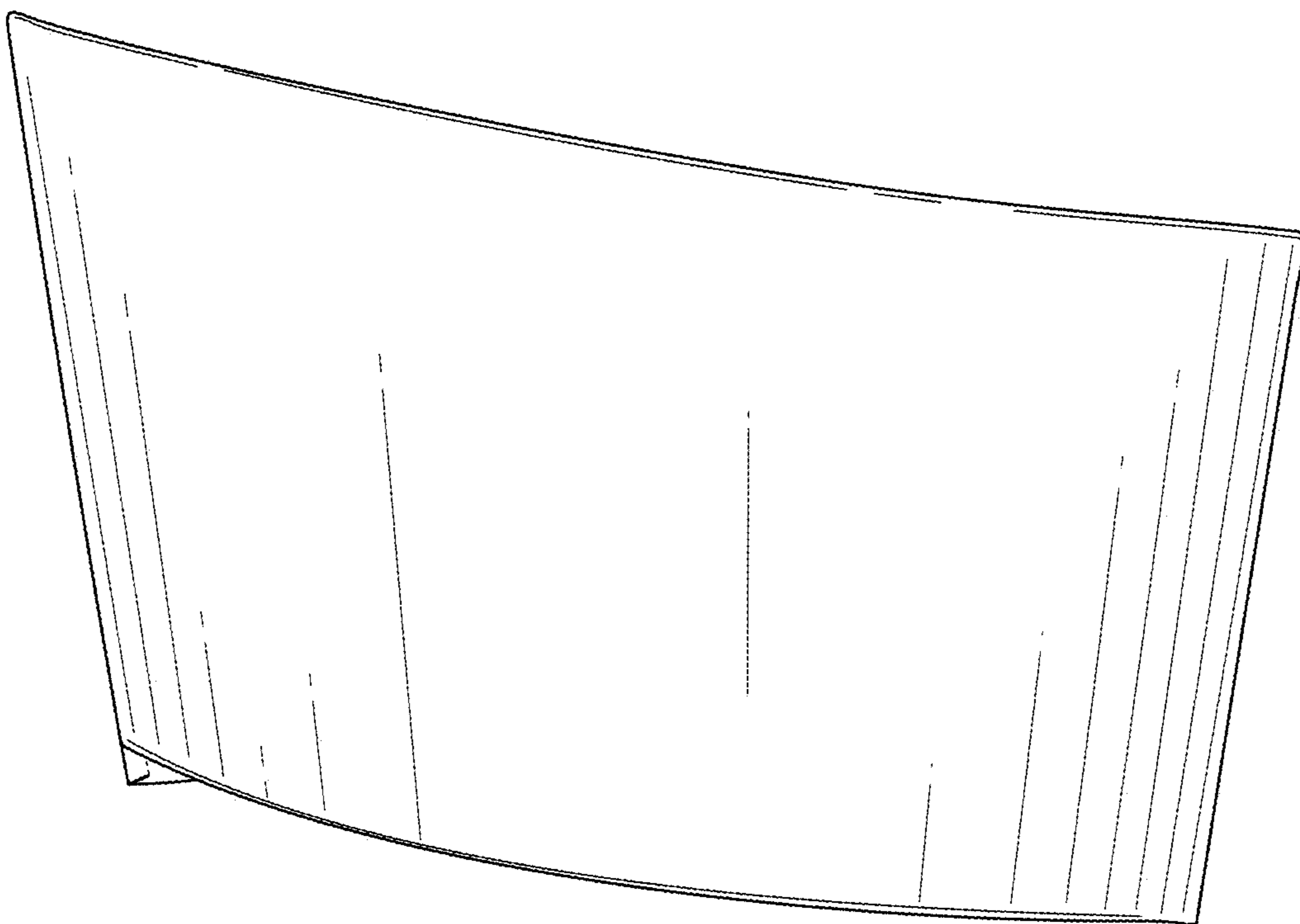


FIG. 4

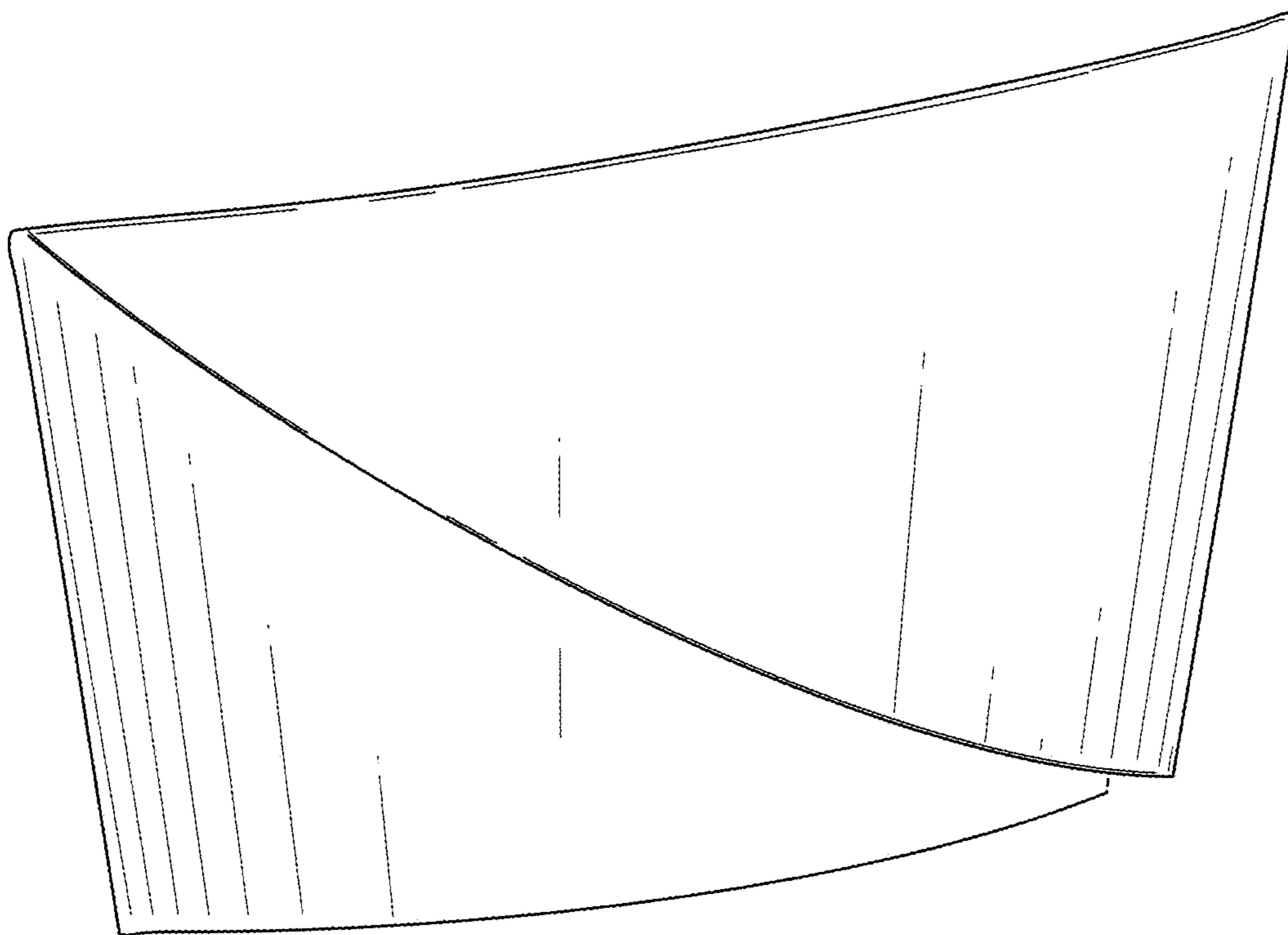


FIG. 5

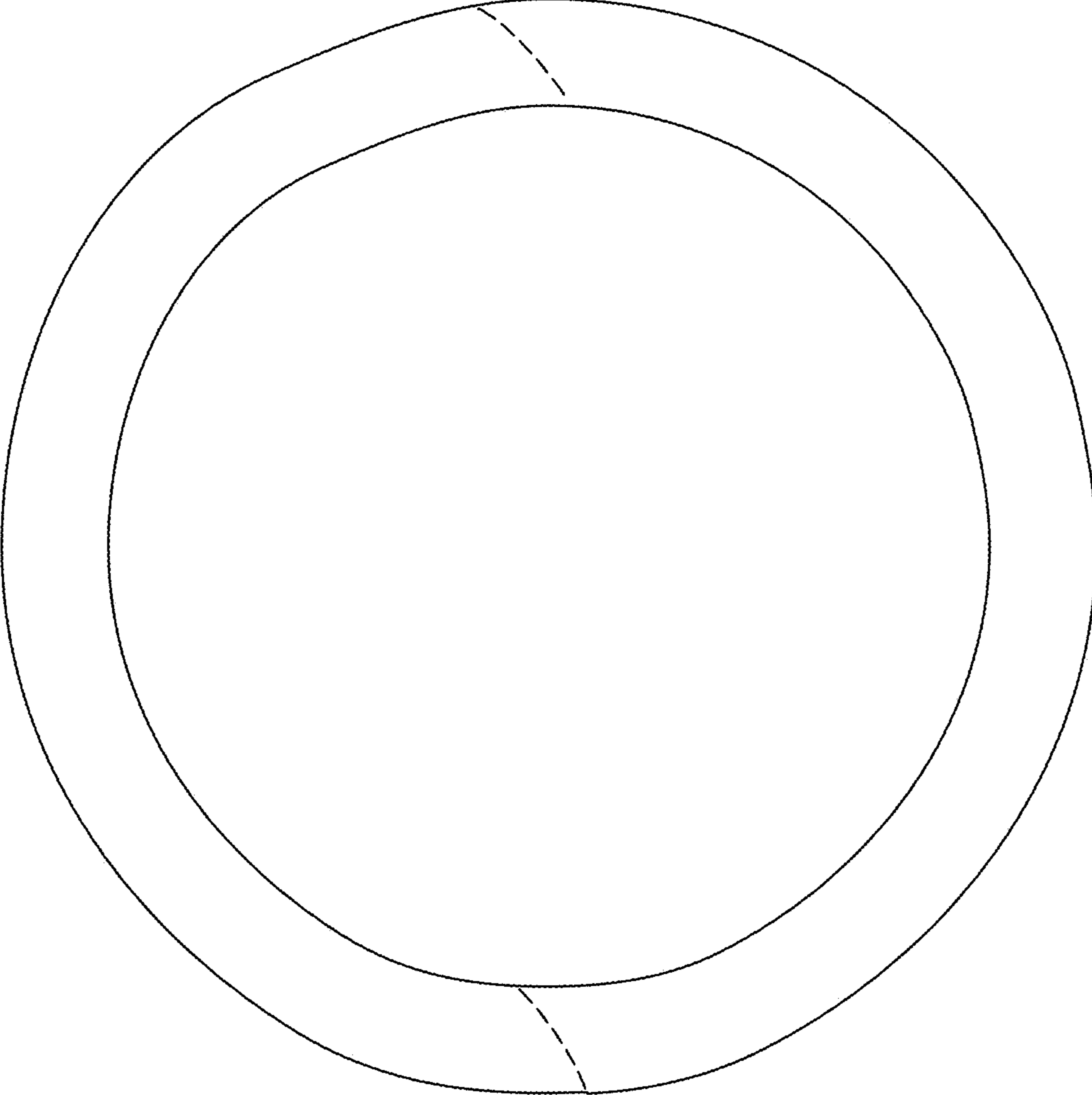


FIG. 6

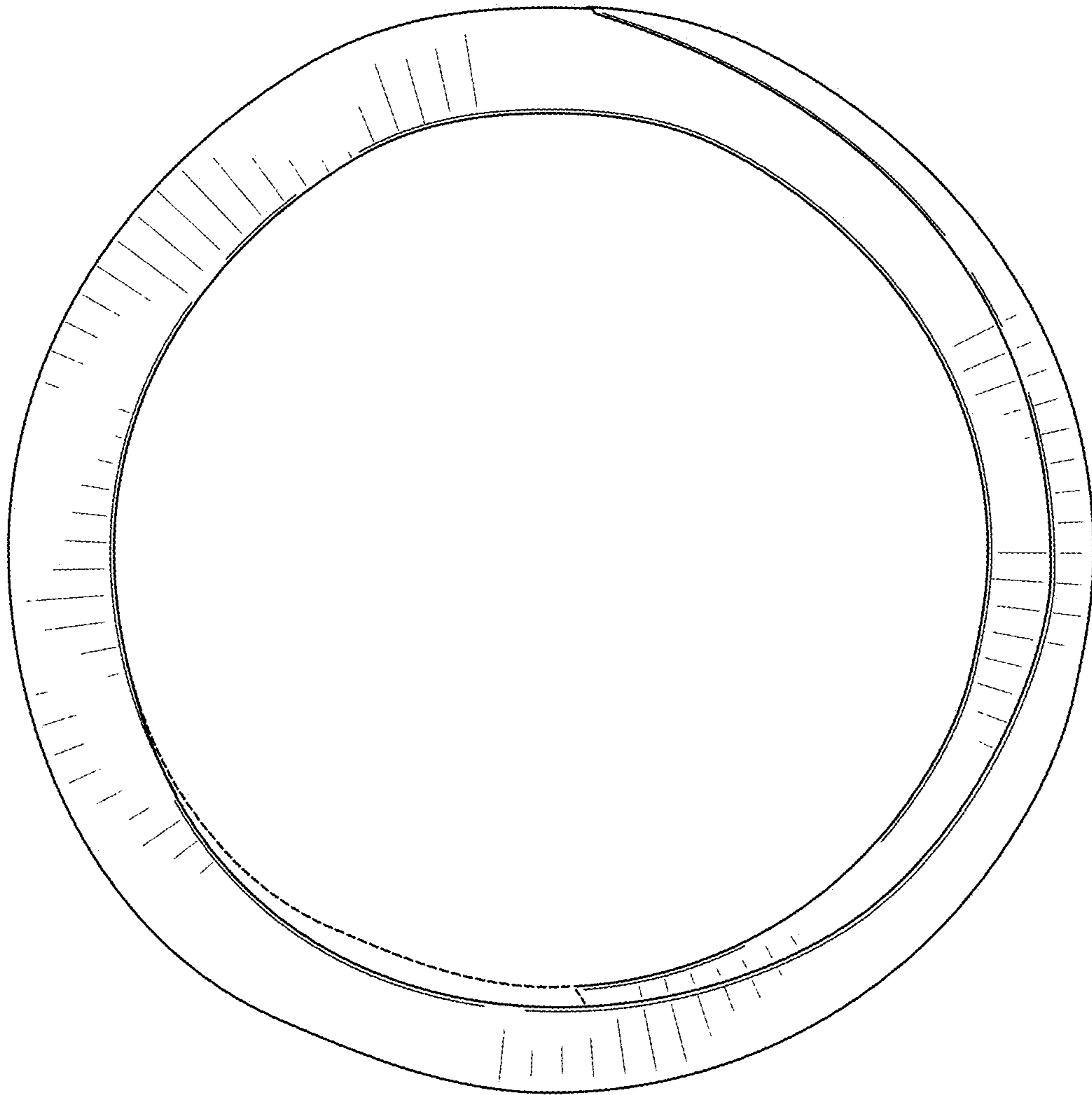


FIG. 7

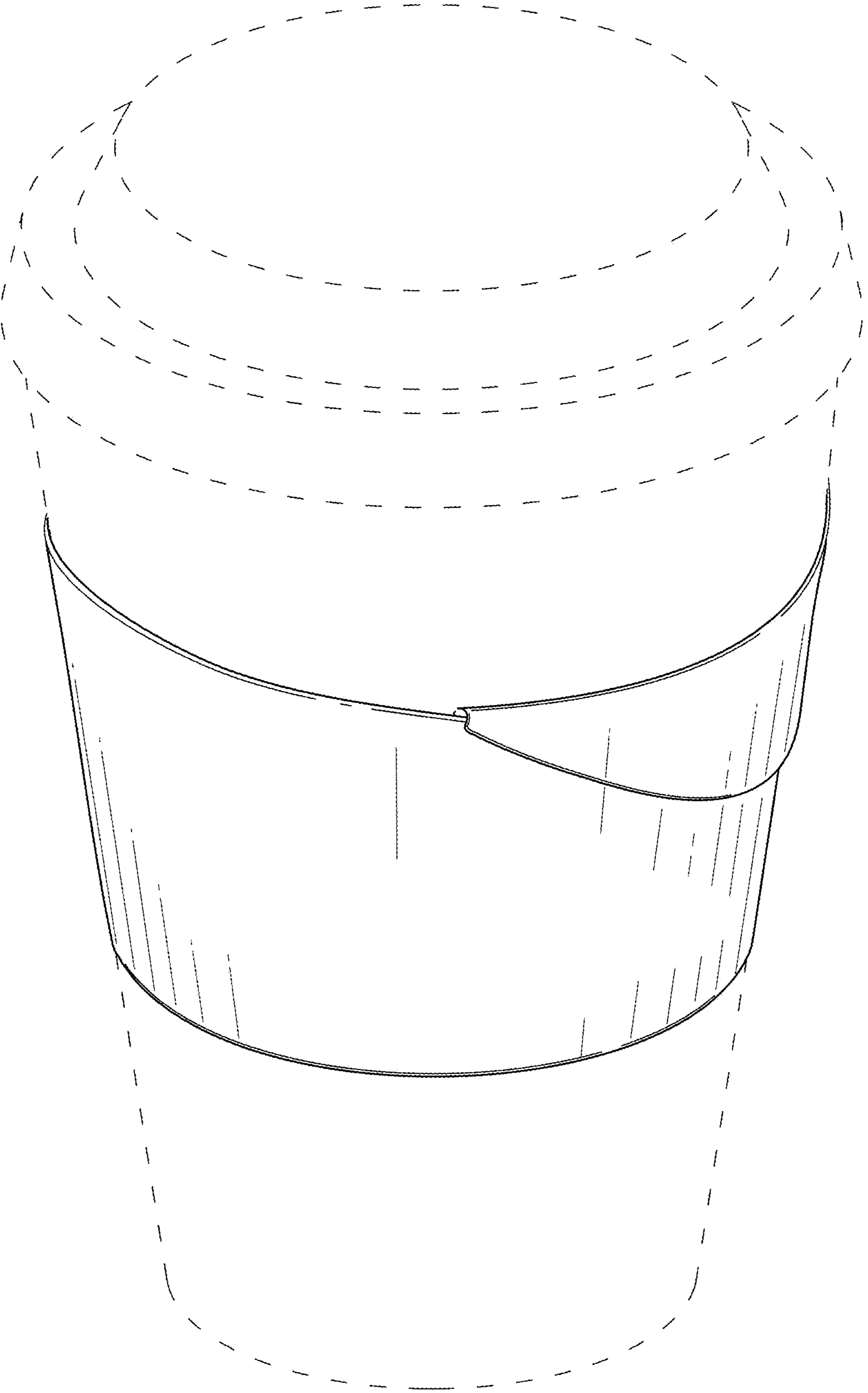


FIG. 8

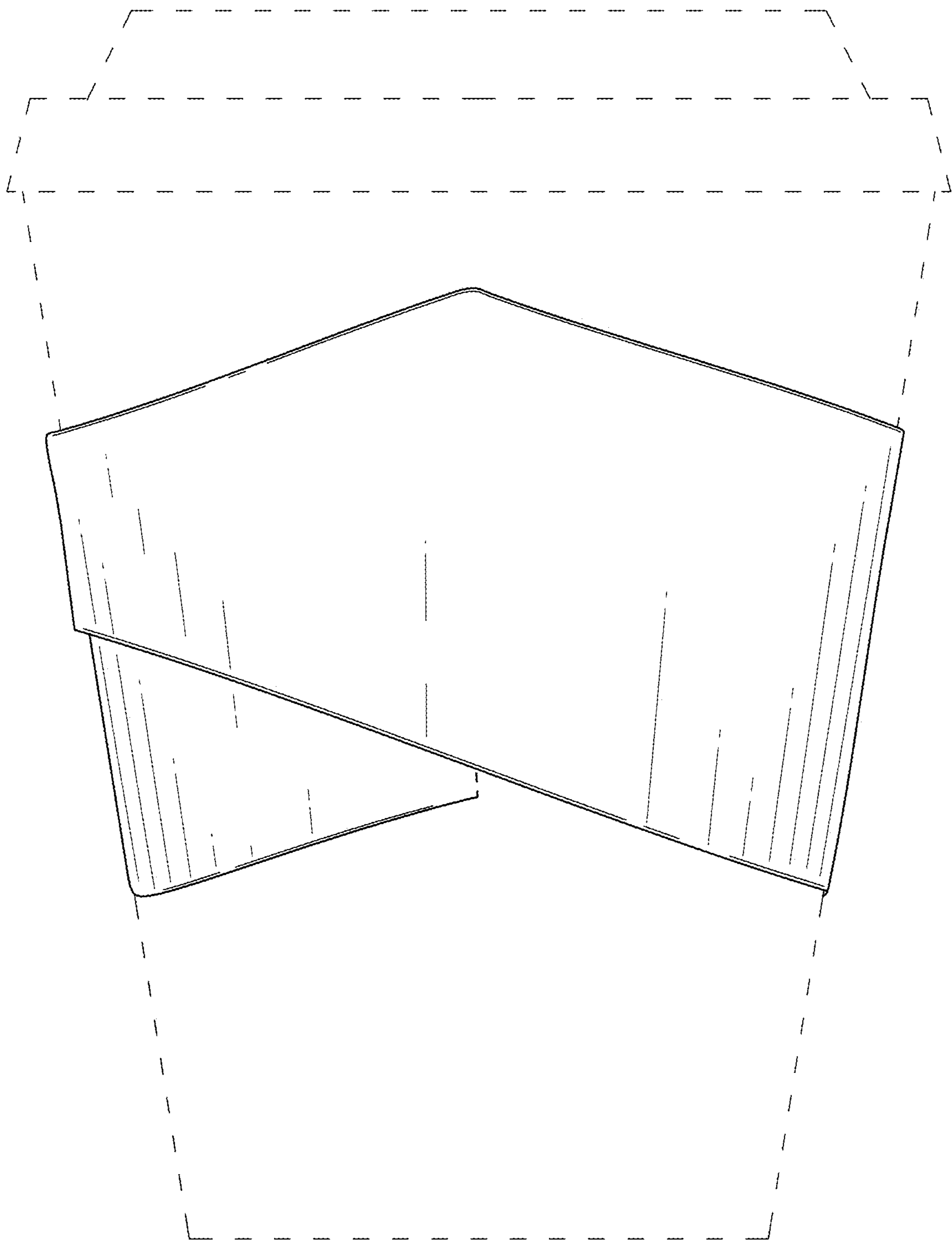


FIG. 9

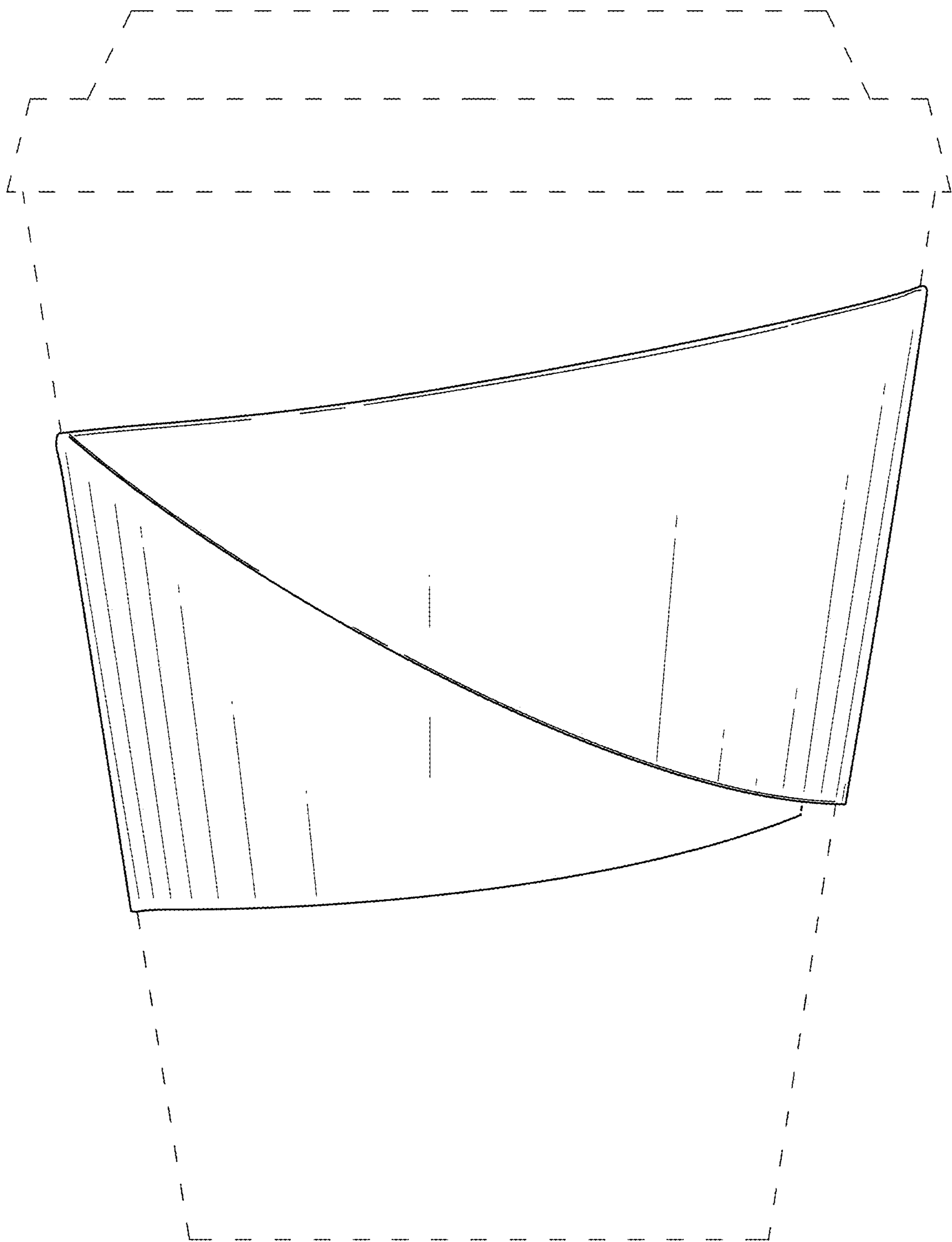


FIG. 10