



US00D964858S

(12) **United States Design Patent** (10) **Patent No.:** **US D964,858 S**
Tan (45) **Date of Patent:** **** Sep. 27, 2022**

(54) **SEALABLE BAG WITH RECEIPT TAB**

(74) *Attorney, Agent, or Firm* — Beyer Law Group LLP

(71) Applicant: **Pan Pacific Plastics Mfg., Inc.**,
Hayward, CA (US)

(57) **CLAIM**

I claim the ornamental design for a sealable bag with receipt tab, substantially as shown and described.

(72) Inventor: **Hin Siang Michael Tan**, Danville, CA
(US)

(73) Assignee: **Pan Pacific Plastics Mfg., Inc.**,
Hayward, CA (US)

DESCRIPTION

(**) Term: **15 Years**

(21) Appl. No.: **29/748,869**

(22) Filed: **Sep. 1, 2020**

(51) **LOC (13) Cl.** **09-05**

(52) **U.S. Cl.**
USPC **D9/705**

(58) **Field of Classification Search**
USPC D9/702–714, 719, 738–740, 517–518,
D9/522, 416, 435, 444, 460, 455, 414,
(Continued)

FIG. 1 is a front perspective view of the sealable bag with receipt tab showing my new design;
FIG. 2 is a rear perspective view thereof;
FIG. 3 is a rear perspective view thereof, the protective strip of the sealable portion of the bag shown in a partially peeled condition;
FIG. 4 is a front perspective view of FIG. 3;
FIG. 5 is an exploded, front perspective view thereof, the protective strip of the sealable portion of the bag shown in a fully peeled condition;
FIG. 6 is a front perspective view thereof, the bag shown in a closed condition;
FIG. 7 is a front perspective view thereof, the bag shown in a sealed condition;
FIG. 8 is a rear perspective view thereof;
FIG. 9 is a front perspective view thereof, the protective cover of the receipt tab the bag shown in a partially peeled condition;
FIG. 10 is a front perspective view thereof, illustrating a receipt, shown in dash-dot-dot-dash lines, adhered between the receipt tab and a front side of the bag;
FIG. 11 is a front view of FIG. 1;
FIG. 12 is a rear view thereof;
FIG. 13 is a right side view, the left side view being a mirror image thereof;
FIG. 14 is an interior view of a front sheet-like panel of the sealable bag, taken along the plane of the line 14-14 in FIG. 13;
FIG. 15 is a top view thereof; and,
FIG. 16 is a bottom view thereof.

(56) **References Cited**

U.S. PATENT DOCUMENTS

2,128,196 A 8/1938 Vogel
3,811,613 A 5/1974 Harrison
(Continued)

FOREIGN PATENT DOCUMENTS

CN 2347943 11/1999
DE 29500157 2/1995
(Continued)

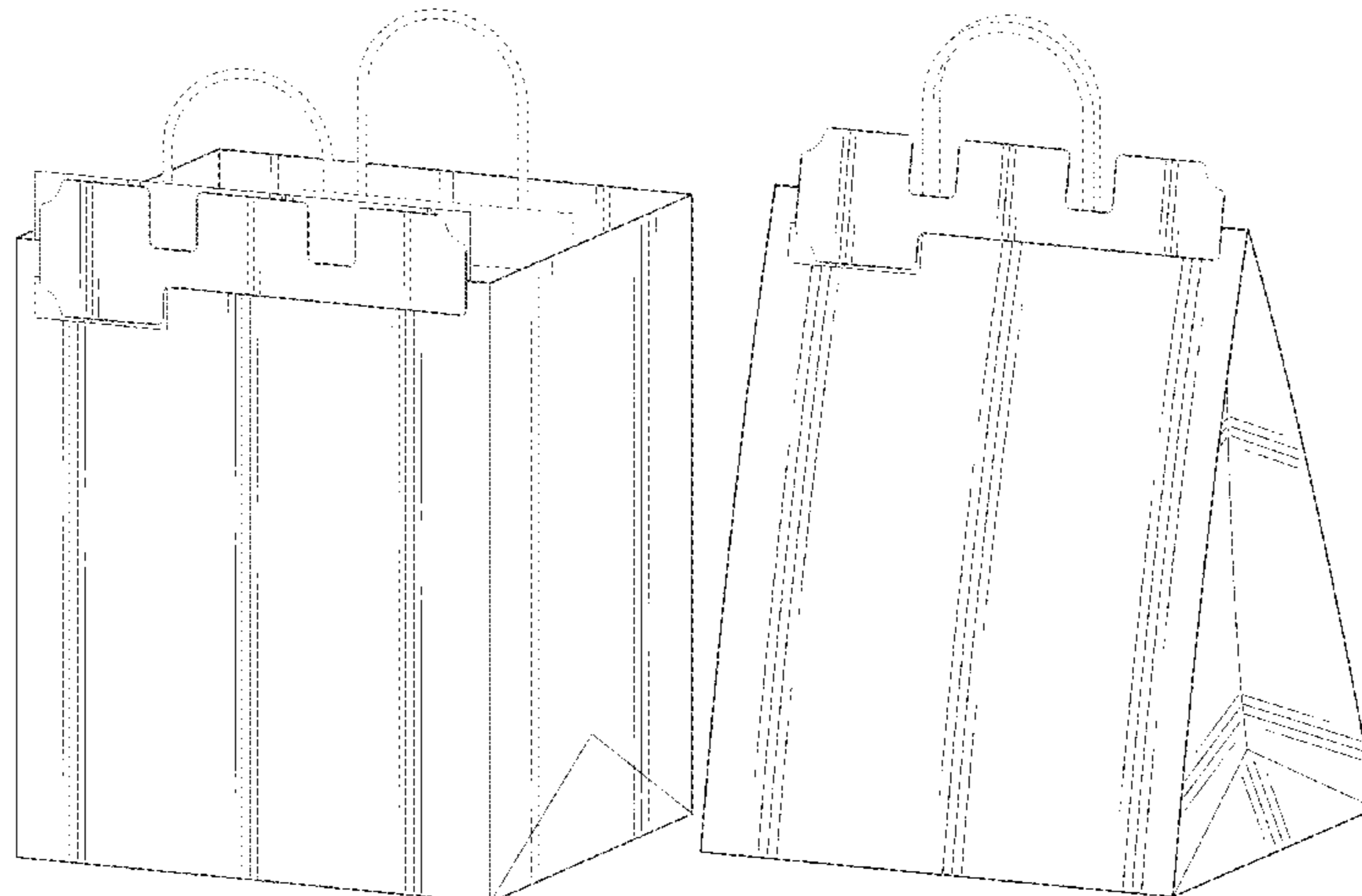
OTHER PUBLICATIONS

International Search Report and Witten Opinion from International Application No. PCT/US2019/030891, dated Jul. 26, 2019.
(Continued)

The broken lines in the Figures show portions of the sealable bag which form no part of the claimed design.
The shade lines in the Figures show contours and not surface ornamentation.

Primary Examiner — Abraham Bahta

(Continued)



The dash-dot-dot-dash line showing of a receipt adhered between the receipt tab and the bag is included for the purpose of illustrating environmental structure and forms no part of the claimed design.

1 Claim, 15 Drawing Sheets

(58) Field of Classification Search

USPC D9/499, 431–432; D7/560–562;
 206/434, 426–427, 429–430, 485, 485.1,
 206/499, 508, 431, 418–422, 588–594;
 229/117.3, 185, 121, 122, 200, 207, 236,
 229/87.01; 220/23.83; 150/100–118;
 294/137, 152; 383/6, 10, 14, 20, 40, 33,
 383/104–105, 117, 108, 120, 93, 121.1,
 383/127; 428/34.3
 CPC B65D 33/00; B65D 33/06; B65D 33/065;
 B65D 33/14; B65D 33/1683; B65D
 33/12; B65D 31/00; B65D 31/04; B65D
 31/10; A45C 3/04; A45C 3/10

See application file for complete search history.

(56) References Cited

U.S. PATENT DOCUMENTS

D319,780 S *	9/1991	Laaki	D9/707
5,352,041 A	10/1994	Fullerton	
5,608,949 A	3/1997	Cooley et al.	
D501,134 S *	1/2005	Takahashi	D9/703
D597,832 S *	8/2009	Bischoff	D9/431
9,630,748 B2	4/2017	Keller	
D801,826 S *	11/2017	O'Connor	D9/705
D811,896 S	3/2018	Wigman	

D812,490 S	3/2018	Wigman	
D821,223 S *	6/2018	Tan	D9/705
D828,763 S *	9/2018	Tan	D9/705
D830,849 S *	10/2018	Tan	D9/705
D864,752 S	10/2019	Tan	
10,913,578 B2	2/2021	Tan	
2006/0072855 A1	4/2006	Shaw	
2007/0292053 A1	12/2007	Lin	
2017/0166358 A1	6/2017	Chandaria	
2019/0112116 A1	4/2019	Su et al.	

FOREIGN PATENT DOCUMENTS

DE	102009007985	2/2010
EP	0515086	11/1992
EP	3623316	3/2020
GB	2382562	6/2003
JP	01254557	10/1989
JP	H02-13001 U	1/1990
JP	02-031846	7/1990
JP	05-042035 Y	10/1993
JP	2017061324	3/2017
JP	2017186073	10/2017
KR	10-1935325	12/2018

OTHER PUBLICATIONS

Notice of Allowance from U.S. Appl. No. 17/137,045 dated Mar. 28, 2022.
 International Search Report from International Application No. PCT/US2021/054409 dated Jan. 26, 2022.
 Written Opinion from International Application No. PCT/US2021/054409 dated Jan. 26, 2022.
 Final Office Action from U.S. Appl. No. 17/137,045 dated Jan. 25, 2022.
 Final Office Action from U.S. Appl. No. 17/124,244 dated Feb. 4, 2022.

* cited by examiner

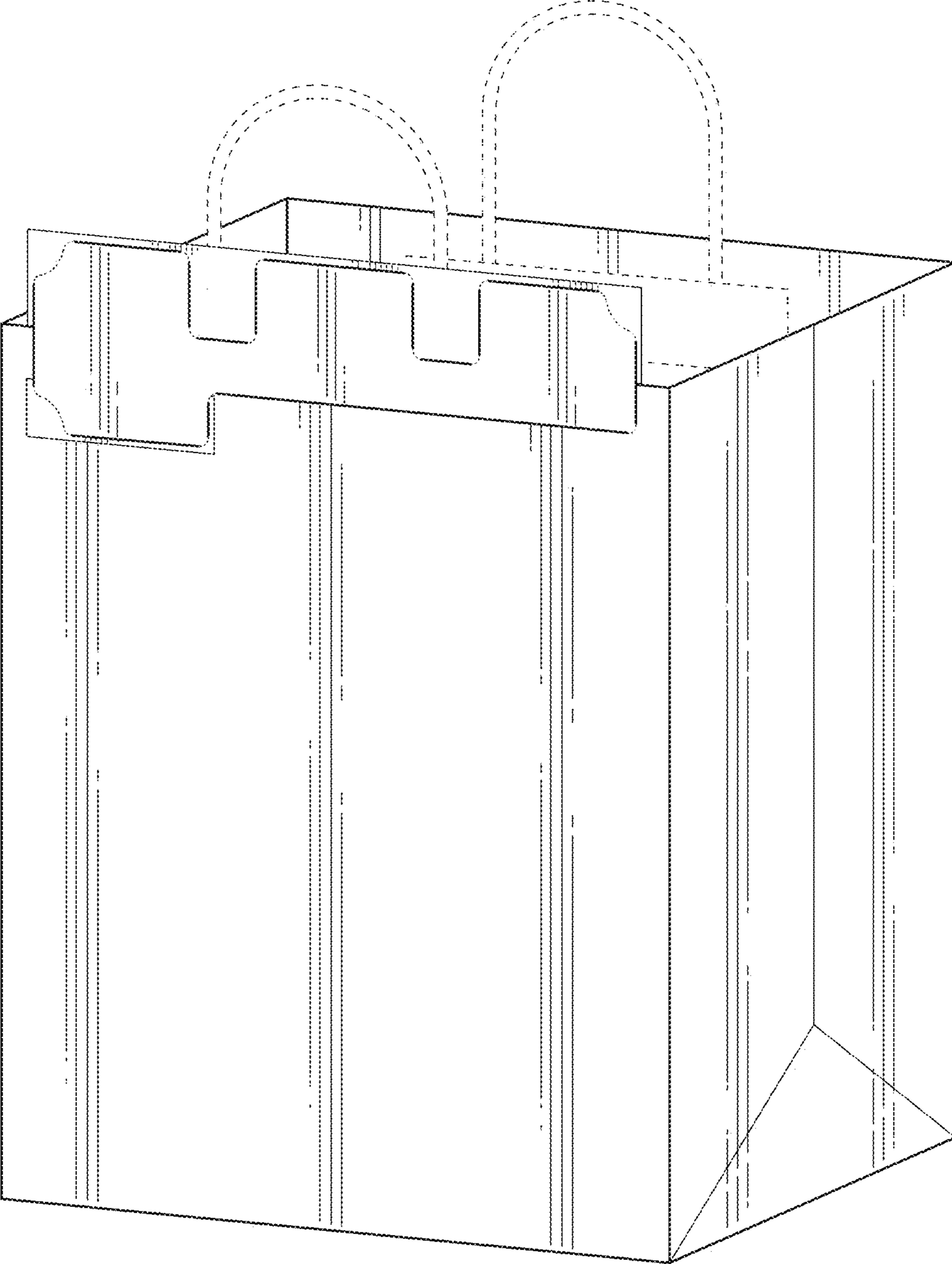


FIG. 1

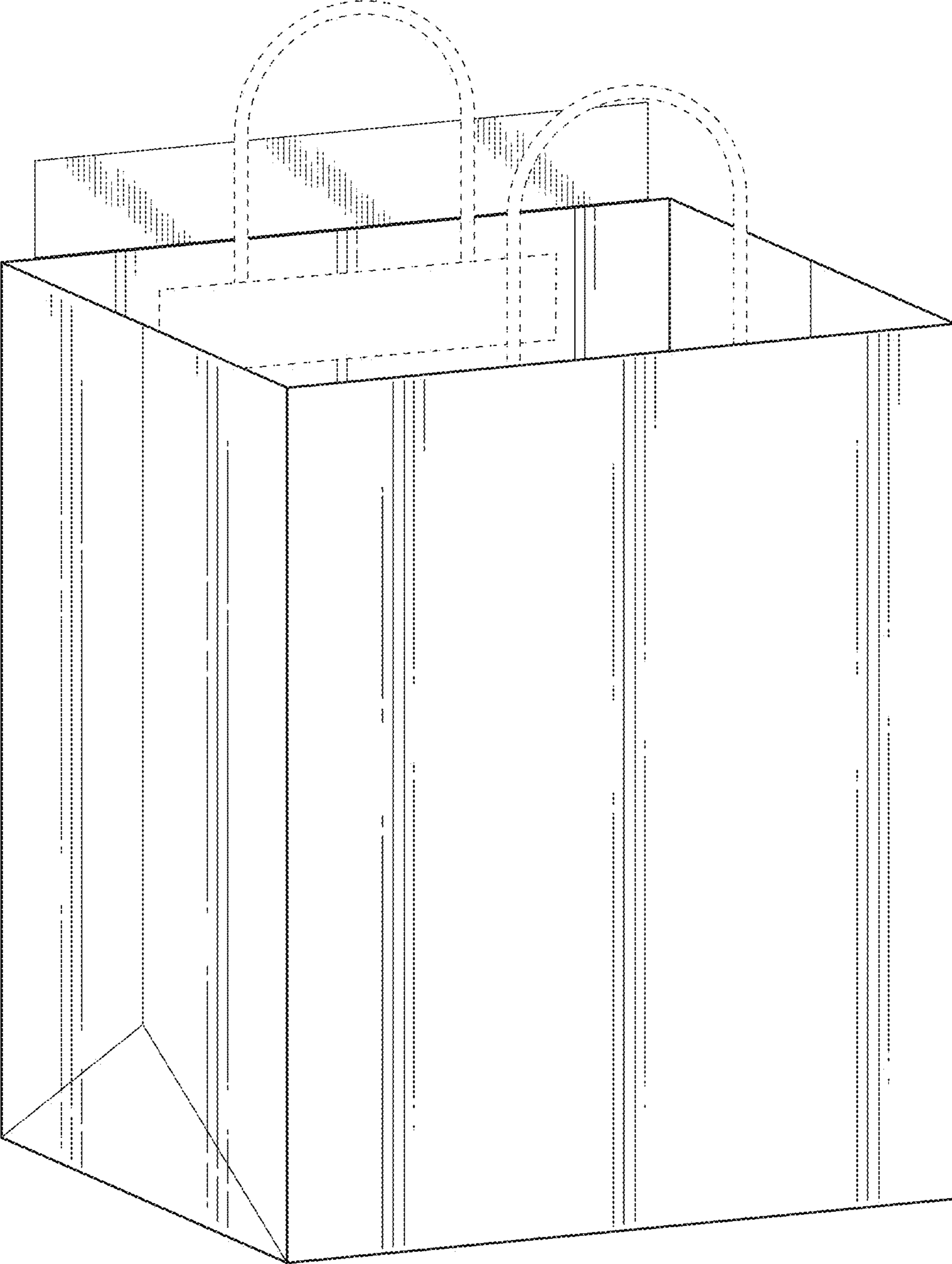


FIG. 2

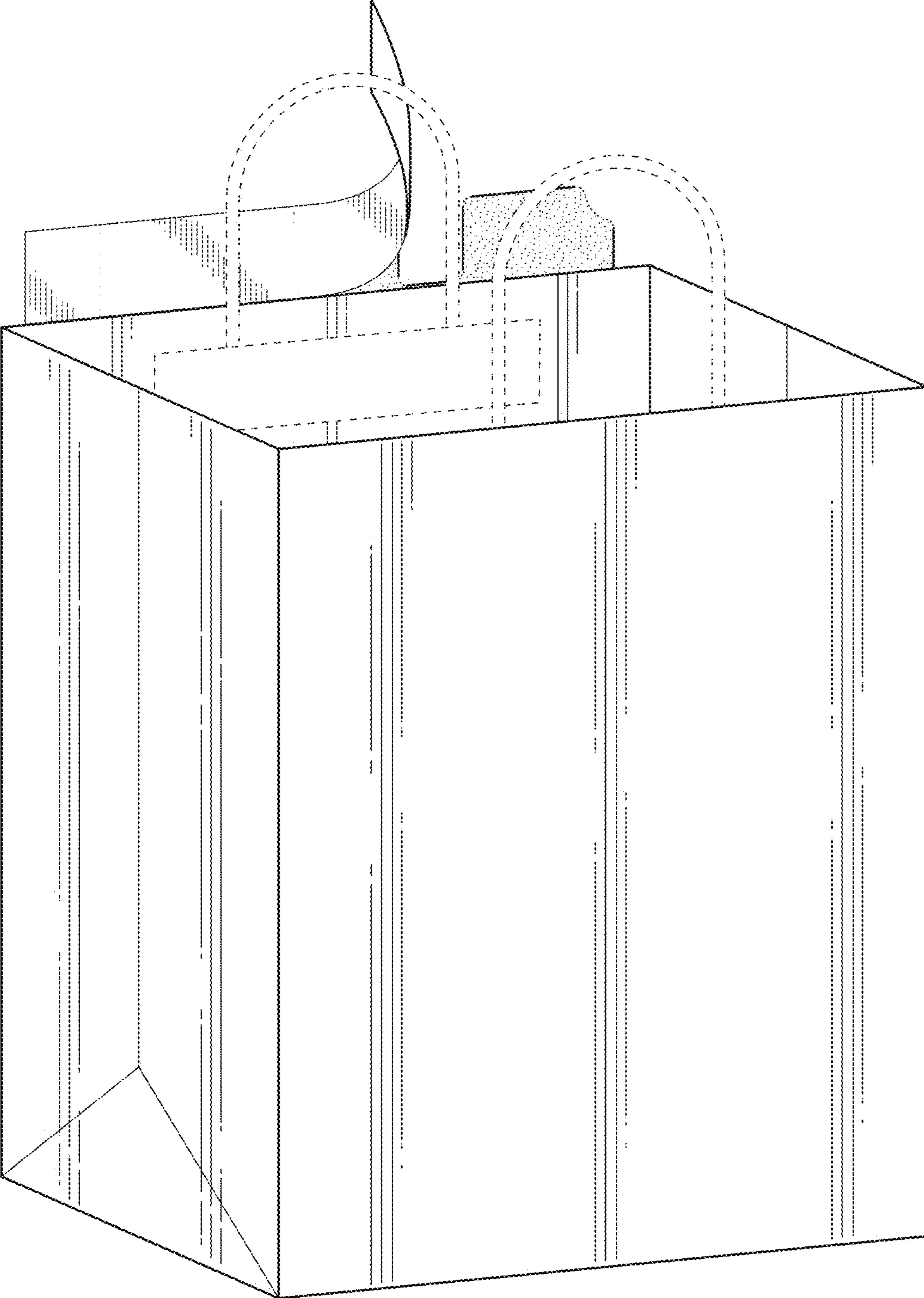


FIG. 3

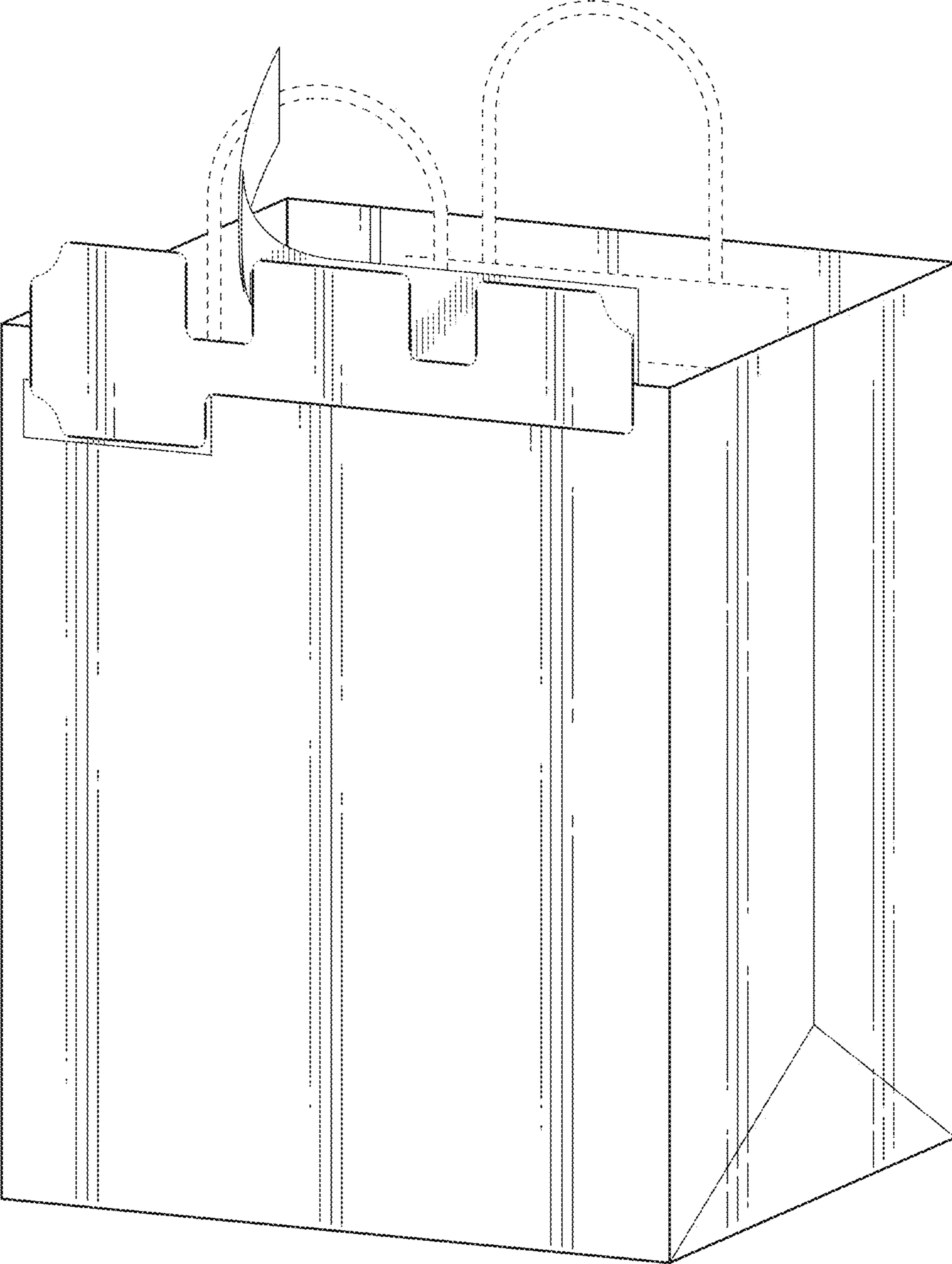


FIG. 4

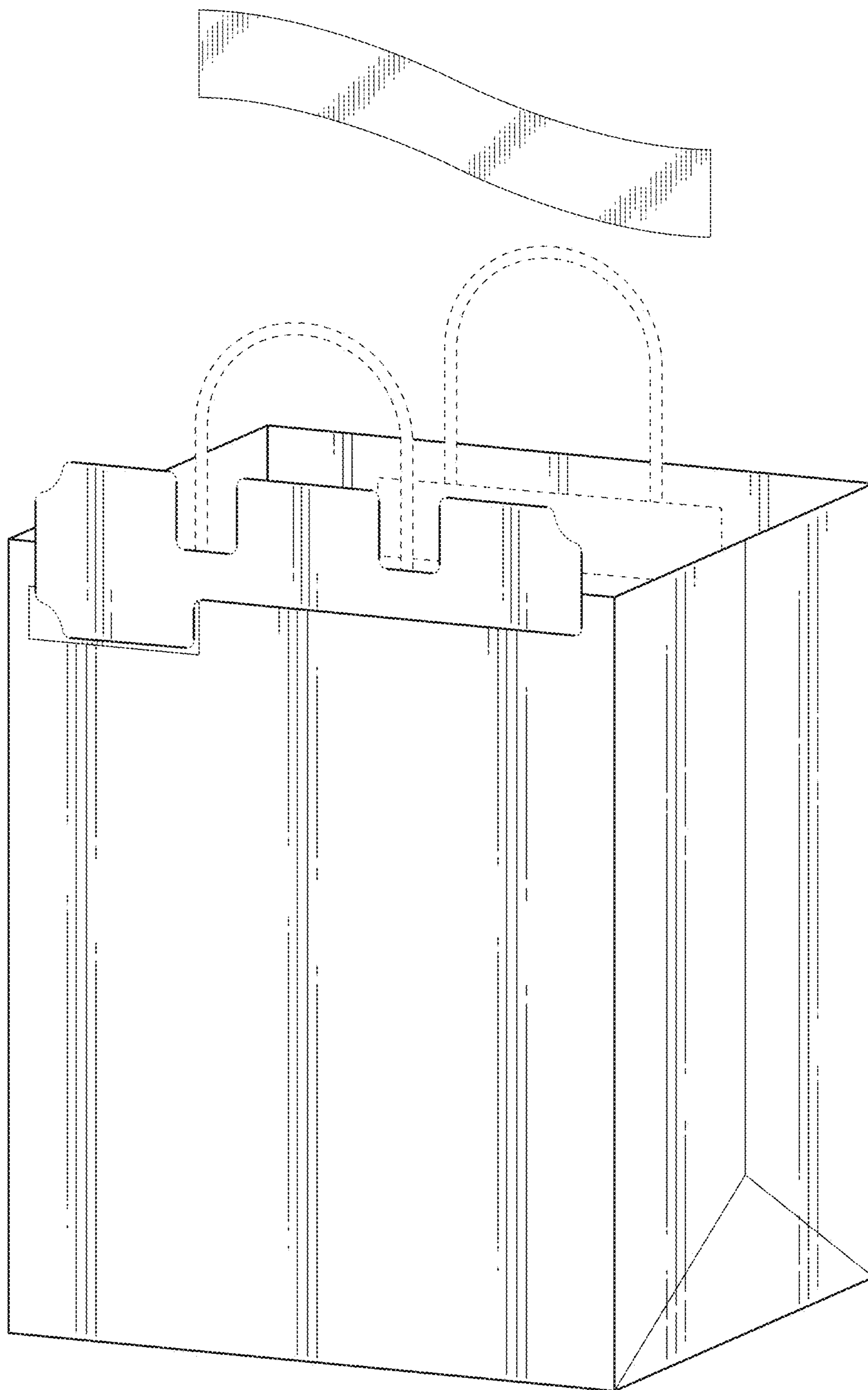


FIG. 5

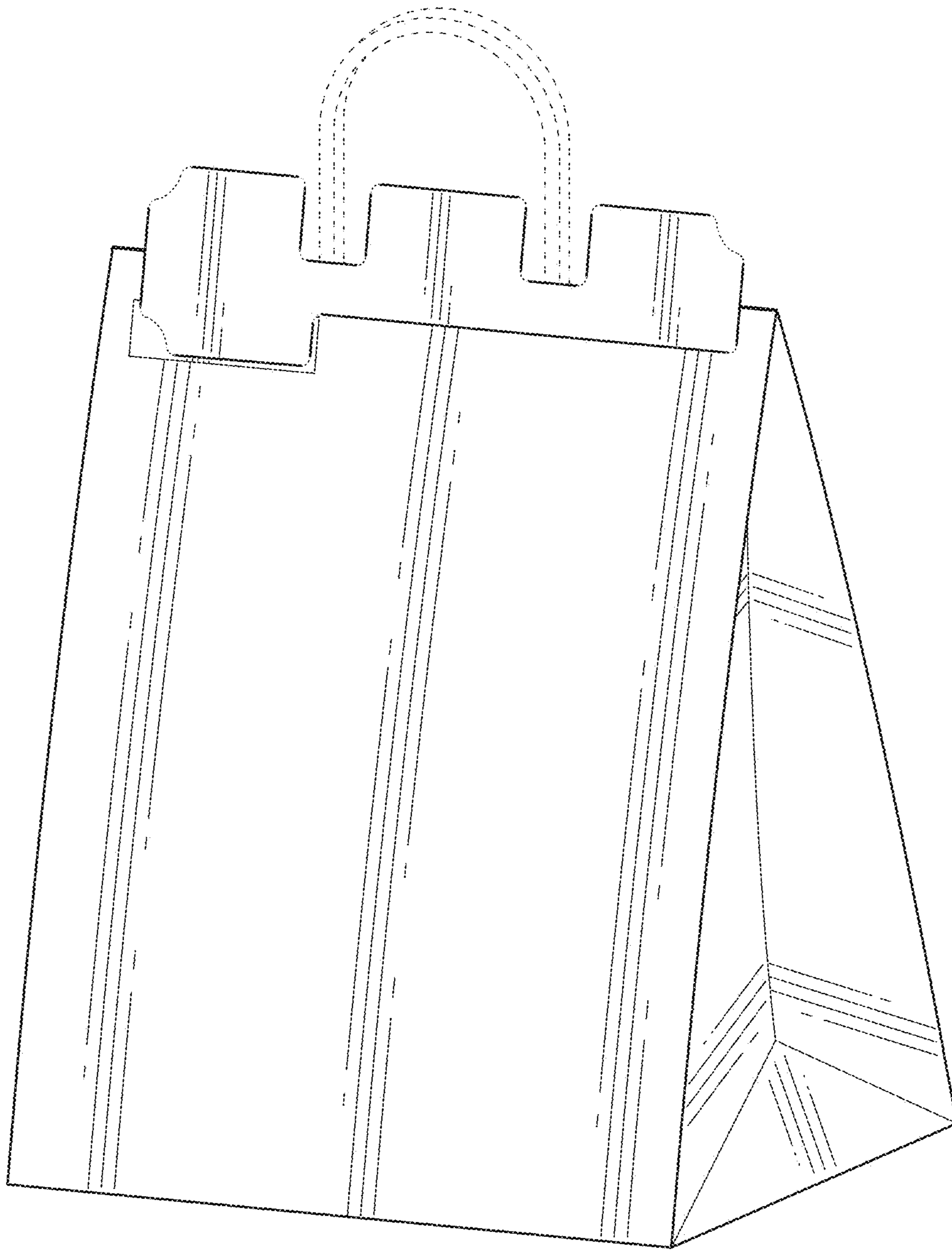


FIG. 6

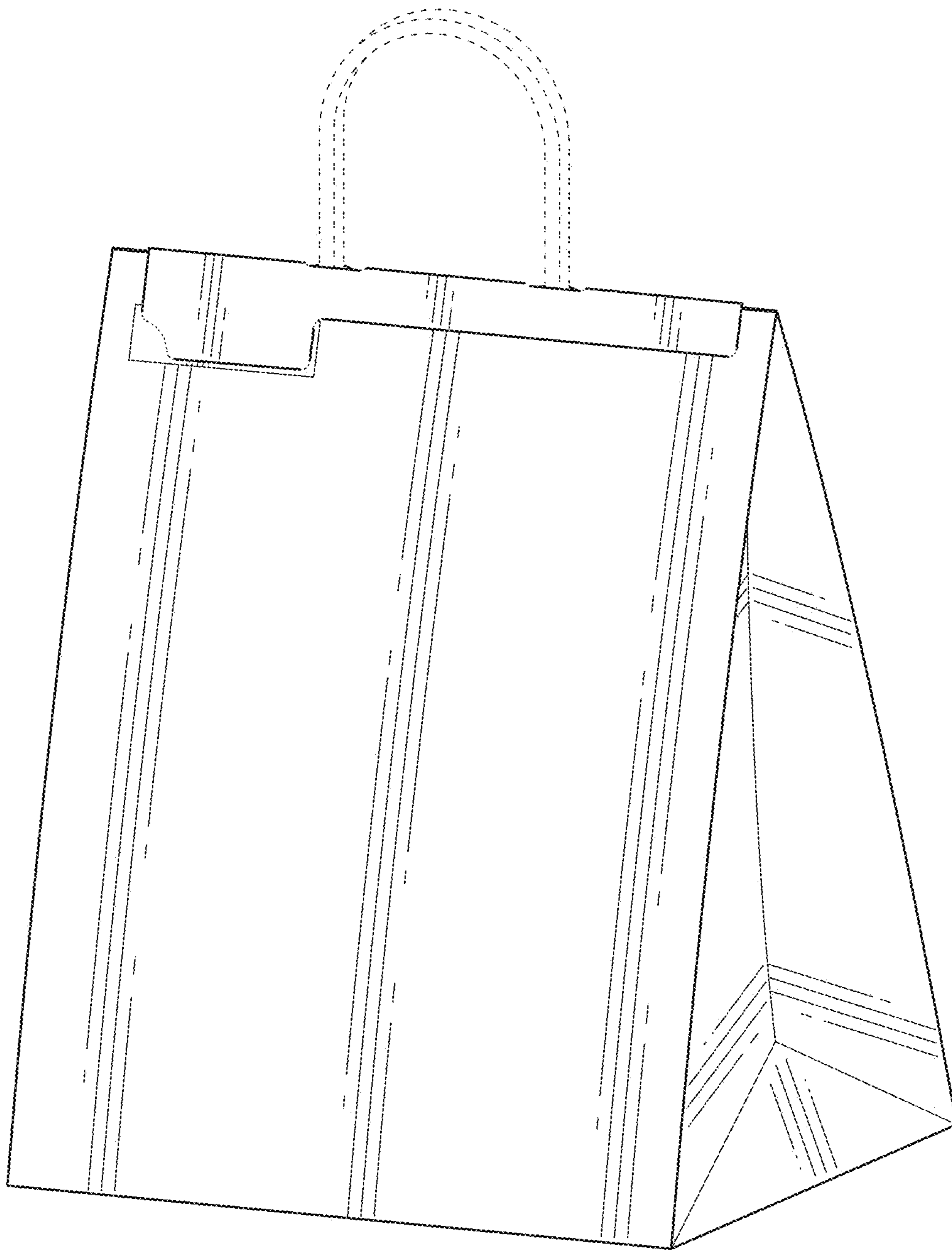


FIG. 7

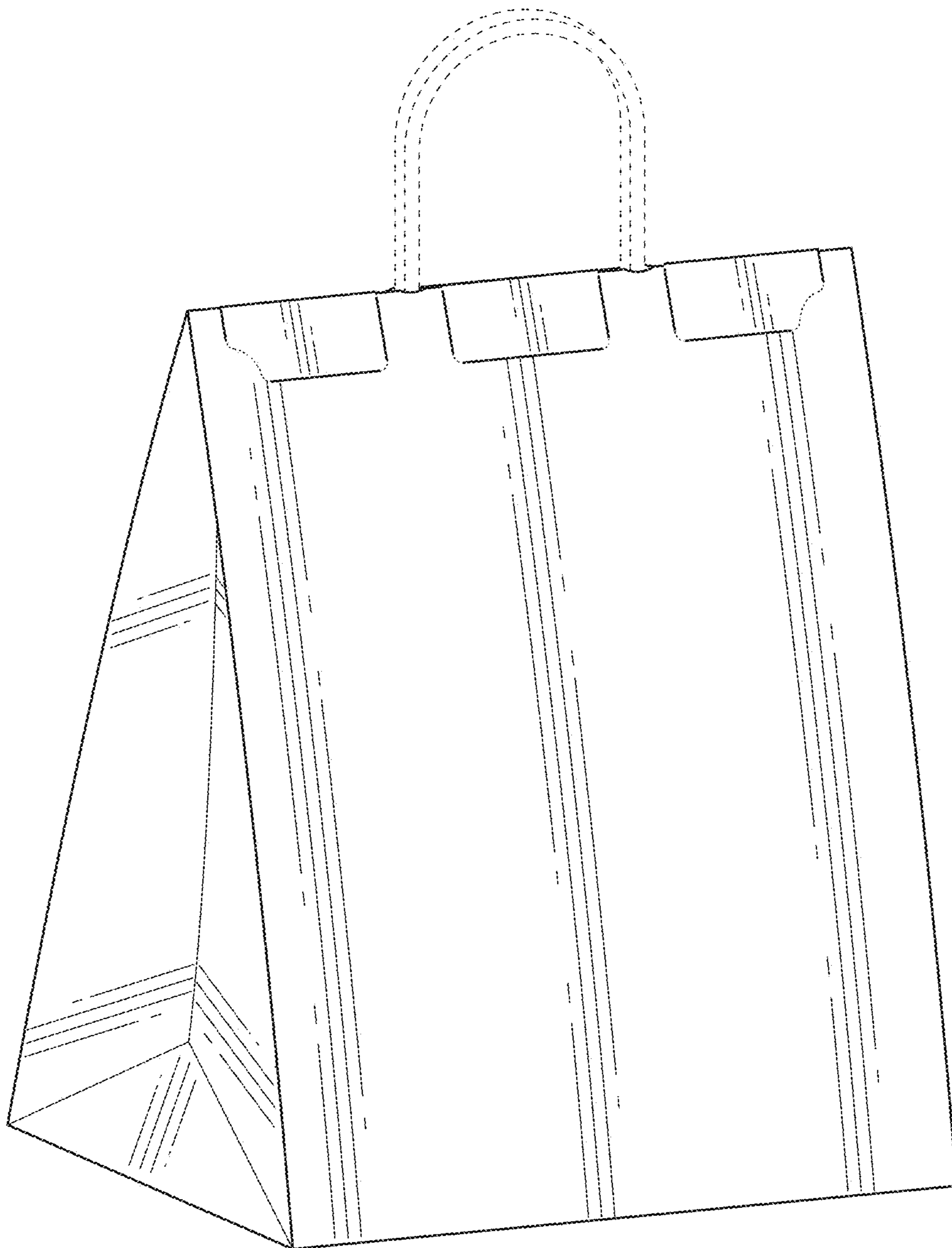


FIG. 8

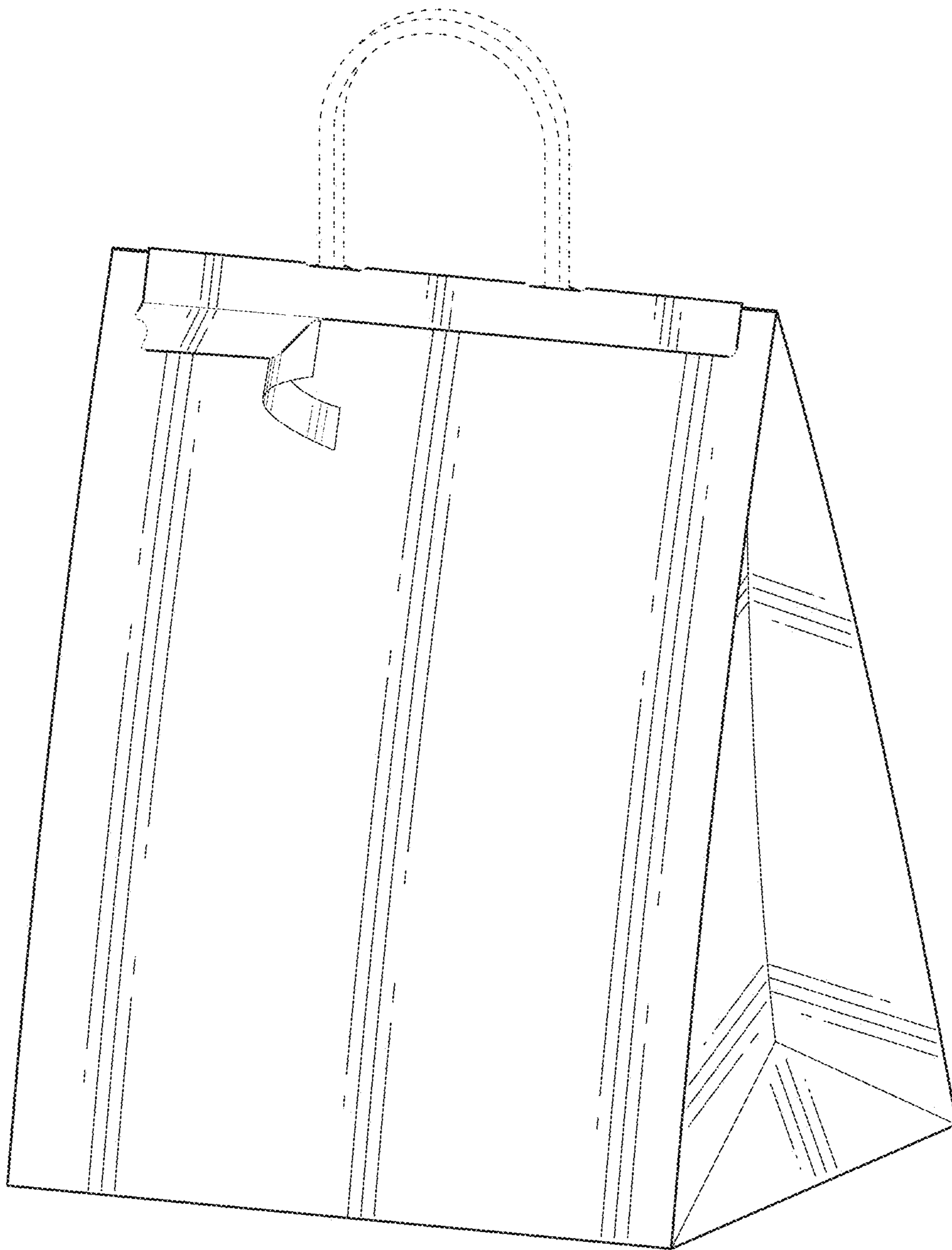


FIG. 9

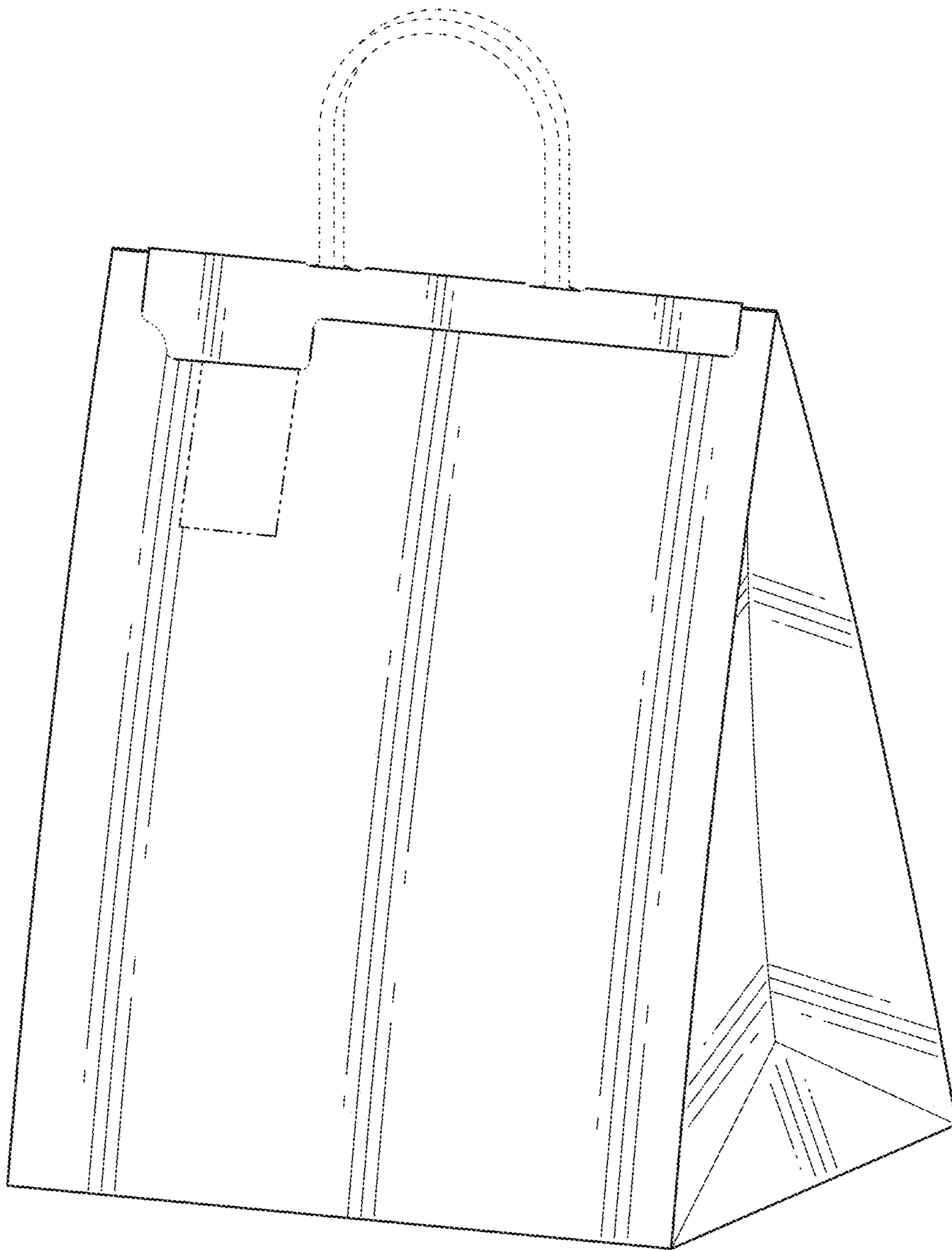


FIG. 10

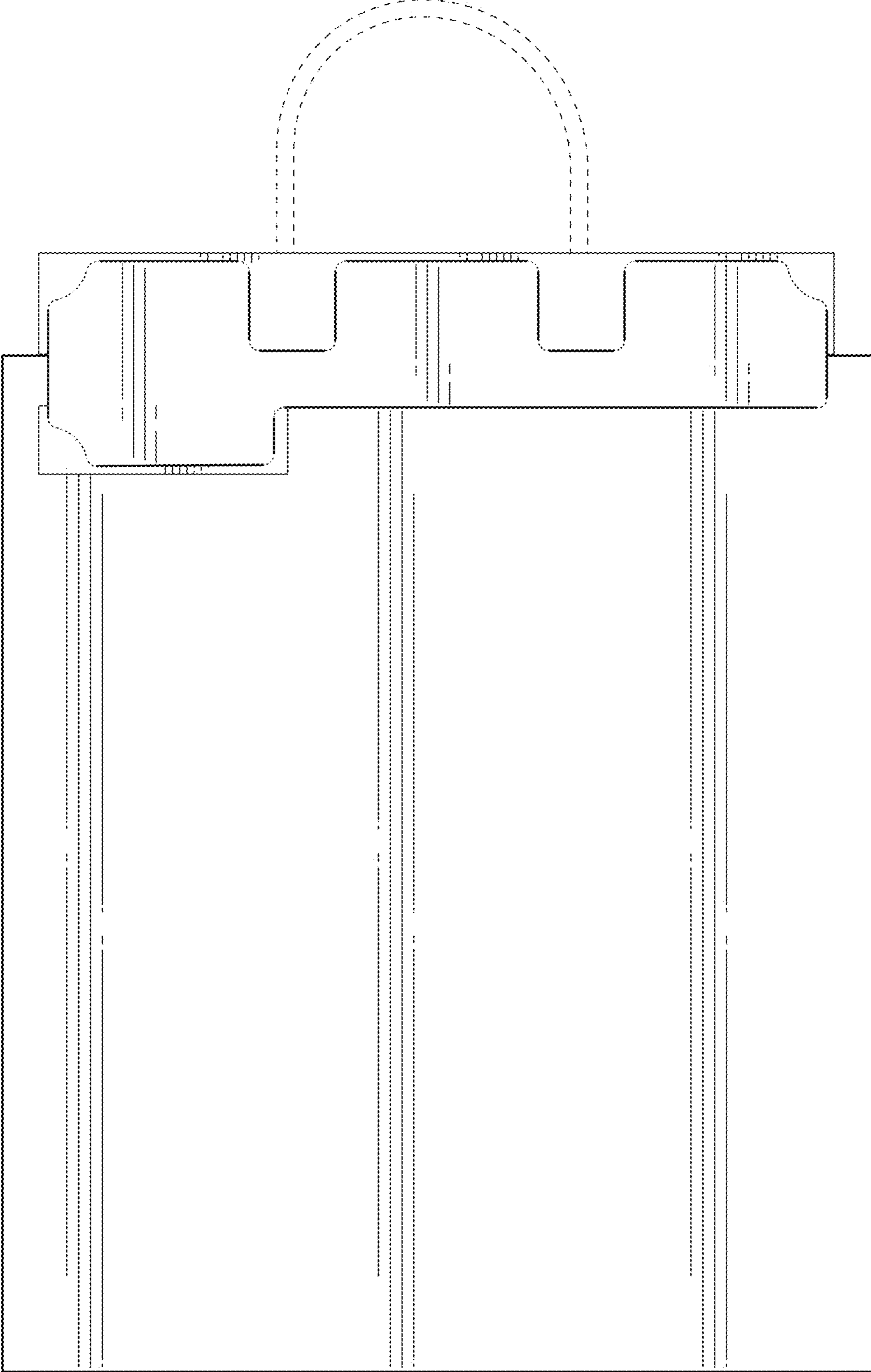


FIG. 11

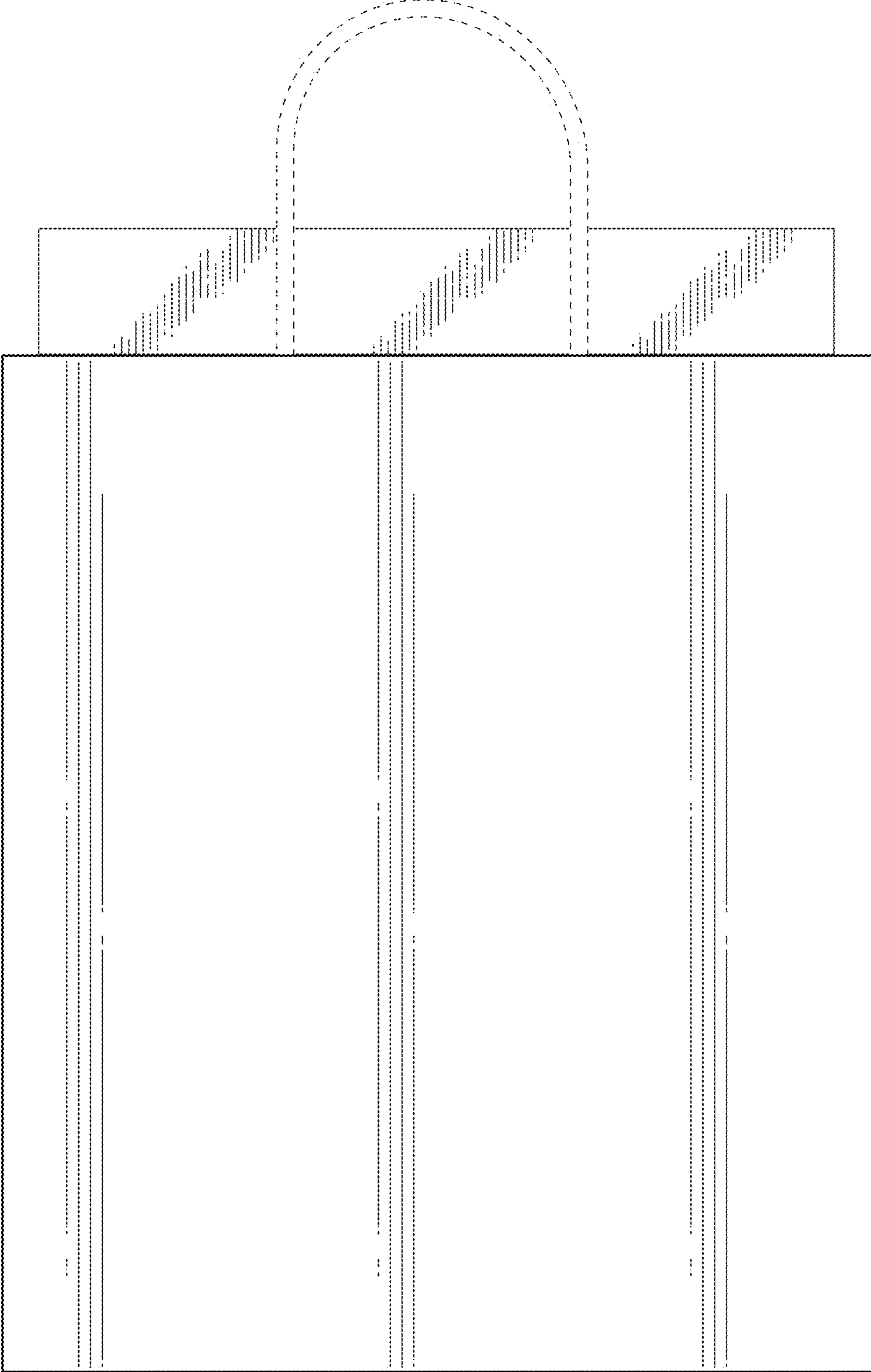


FIG. 12

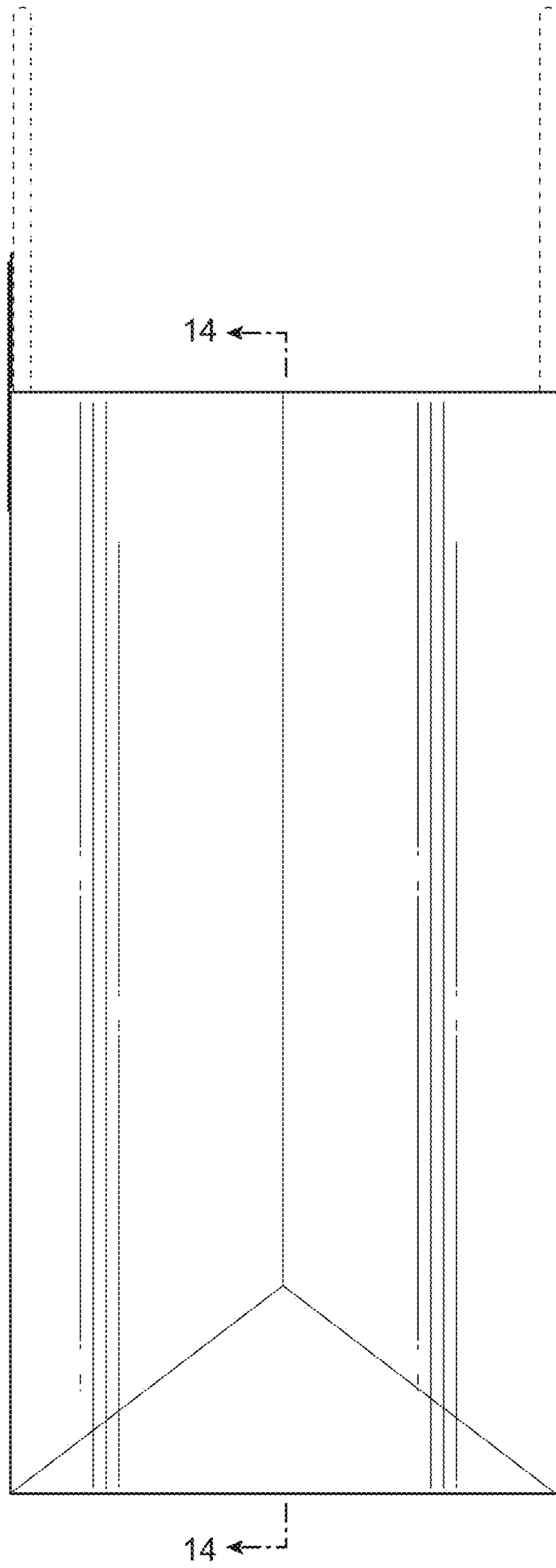


FIG. 13

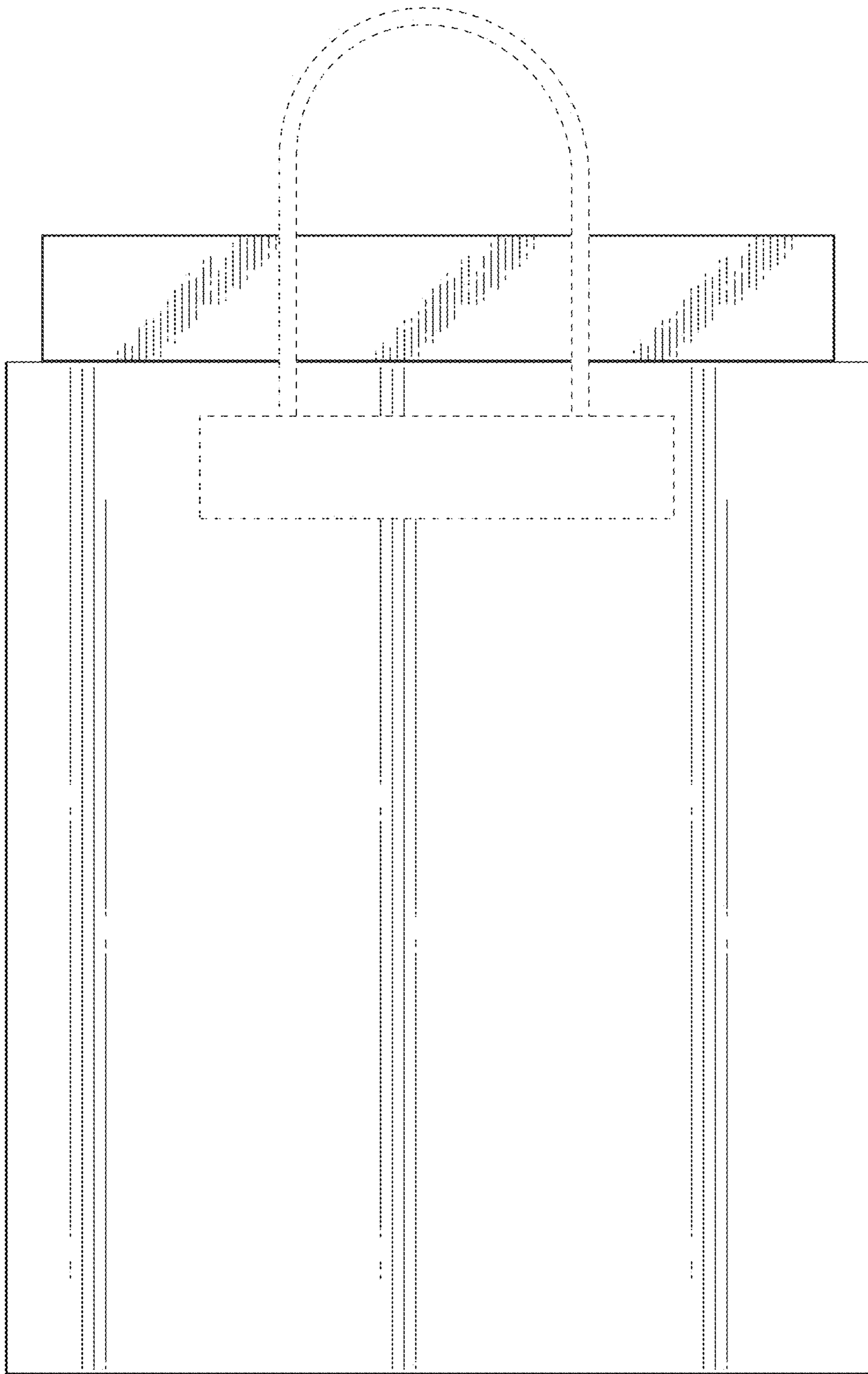


FIG. 14

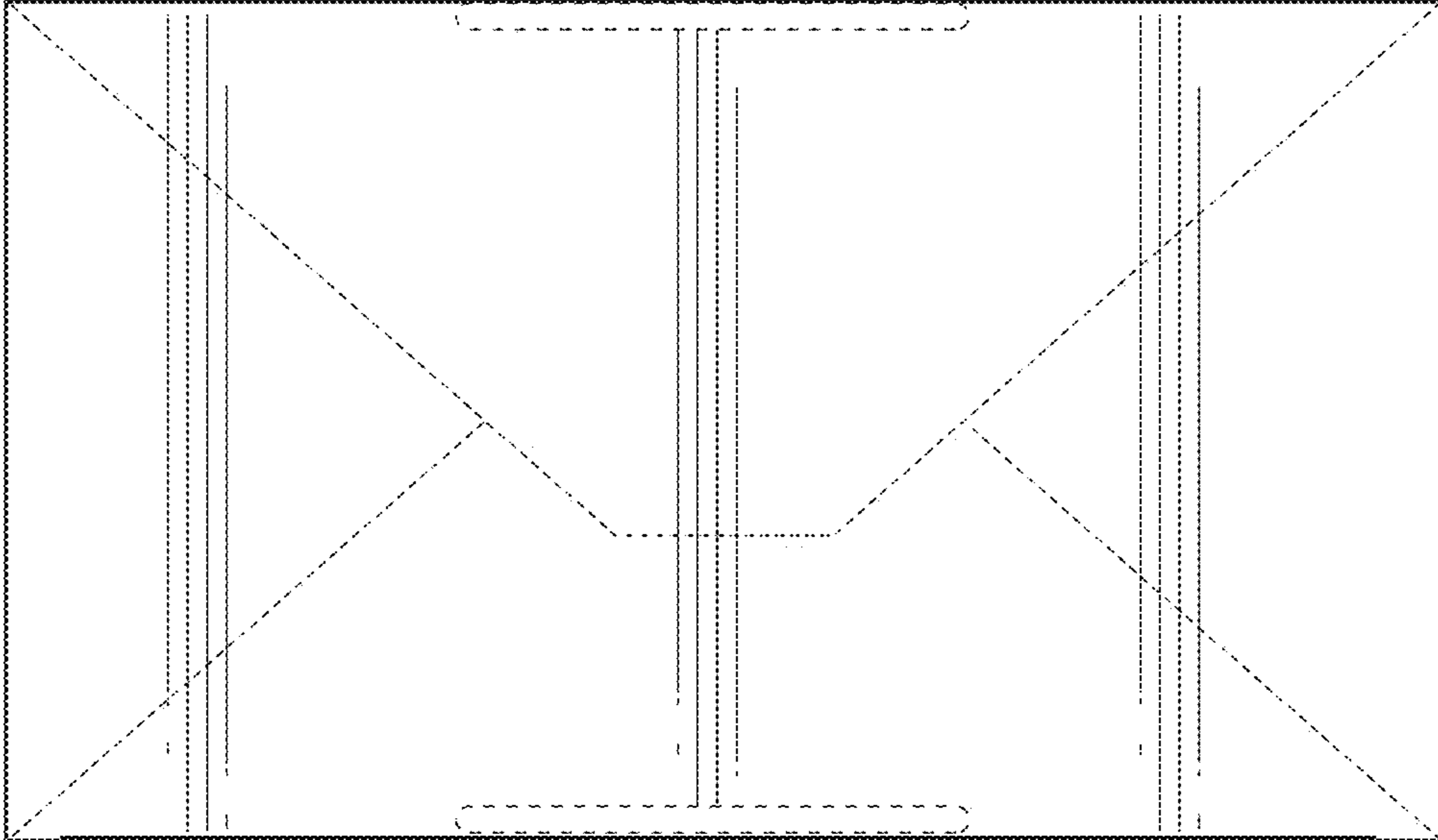


FIG. 15

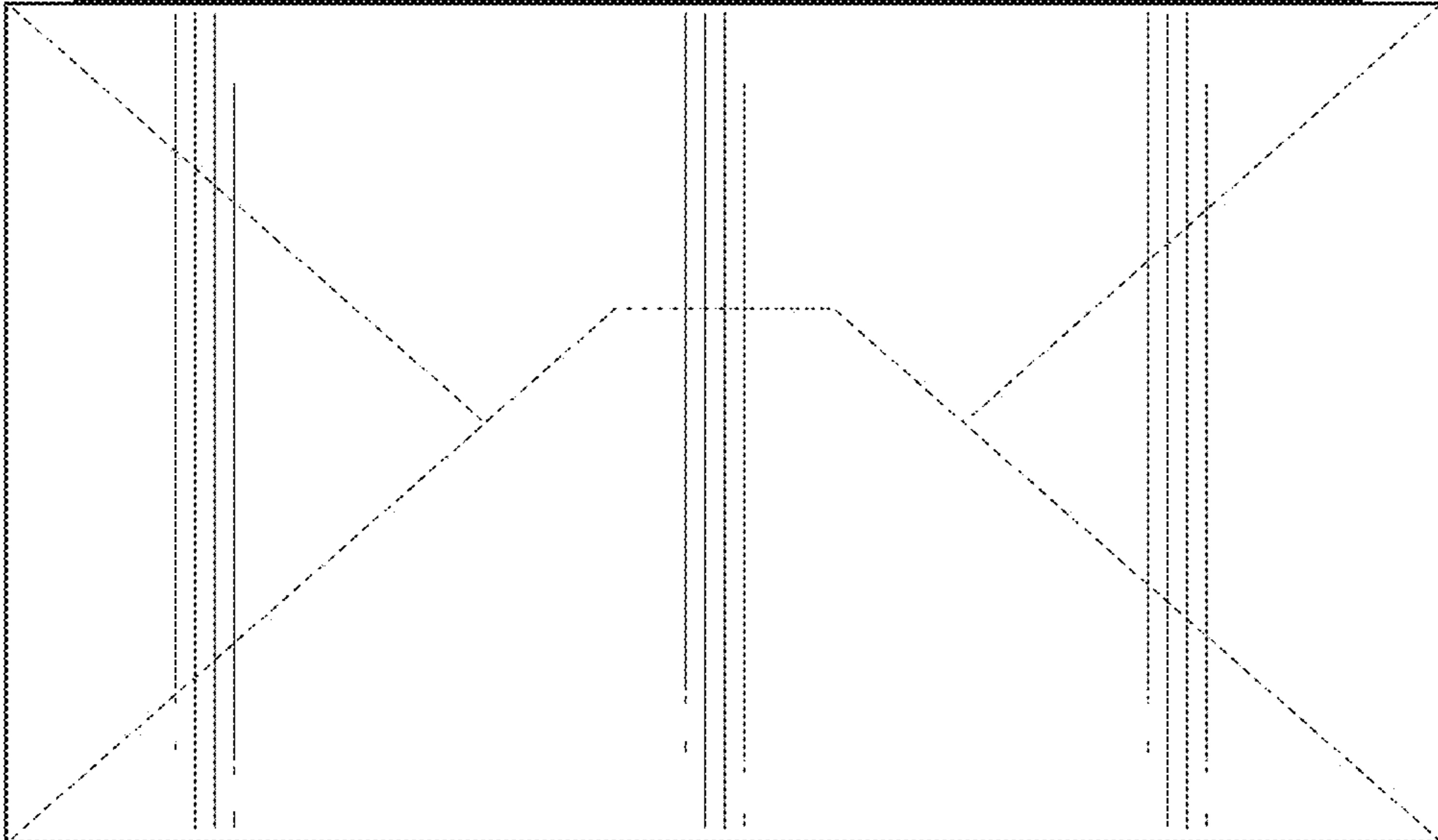


FIG. 16