

US00D964853S

(12) **United States Design Patent**  
**Rolfs et al.**

(10) **Patent No.:** **US D964,853 S**

(45) **Date of Patent:** **\*\* Sep. 27, 2022**

(54) **LID**

(71) Applicant: **Kimberly-Clark Worldwide, Inc.**,  
Neenah, WI (US)

(72) Inventors: **Bryan Eliot Rolfs**, Chicago, IL (US);  
**Jeremy T. Gauger**, Greenville, WI (US);  
**Maggie VanderHeiden Berger**, Appleton, WI (US);  
**Amanda Ann Thelen**, Appleton, WI (US);  
**Heidi Ellen Gehrke**, Appleton, WI (US)

(73) Assignee: **Kimberly-Clark Worldwide, Inc.**,  
Neenah, WI (US)

(\*\*) Term: **15 Years**

(21) Appl. No.: **29/726,845**

(22) Filed: **Mar. 5, 2020**

(51) **LOC (13) Cl.** ..... **09-07**

(52) **U.S. Cl.**  
USPC ..... **D9/435; D9/434**

(58) **Field of Classification Search**  
USPC ..... D7/392.1, 396.2; D9/434-436, 440, 443,  
D9/445, 447, 449, 454, 499, 414, 420,  
(Continued)

(56) **References Cited**

**U.S. PATENT DOCUMENTS**

D427,482 S \* 7/2000 Mittmann ..... D7/354  
D516,859 S \* 3/2006 Zettle ..... D7/392.1  
(Continued)

**FOREIGN PATENT DOCUMENTS**

WO 2019045730 A1 3/2019

**OTHER PUBLICATIONS**

Agency Spy. We Hear: JWT Eliminated From Global Kimberly-Clark Review as Ogilvy Hangs On. Mar. 2, 2018. <https://www.adweek.com/agencyspy/we-hear-jwt-eliminated-from-global-kimberly-clark-review-as-ogilvy-hangs-on/144226/> (Year: 2018).\*

(Continued)

(Continued)

*Primary Examiner* — Darcey E Gottschalk

(74) *Attorney, Agent, or Firm* — Banner & Witcoff, Ltd.

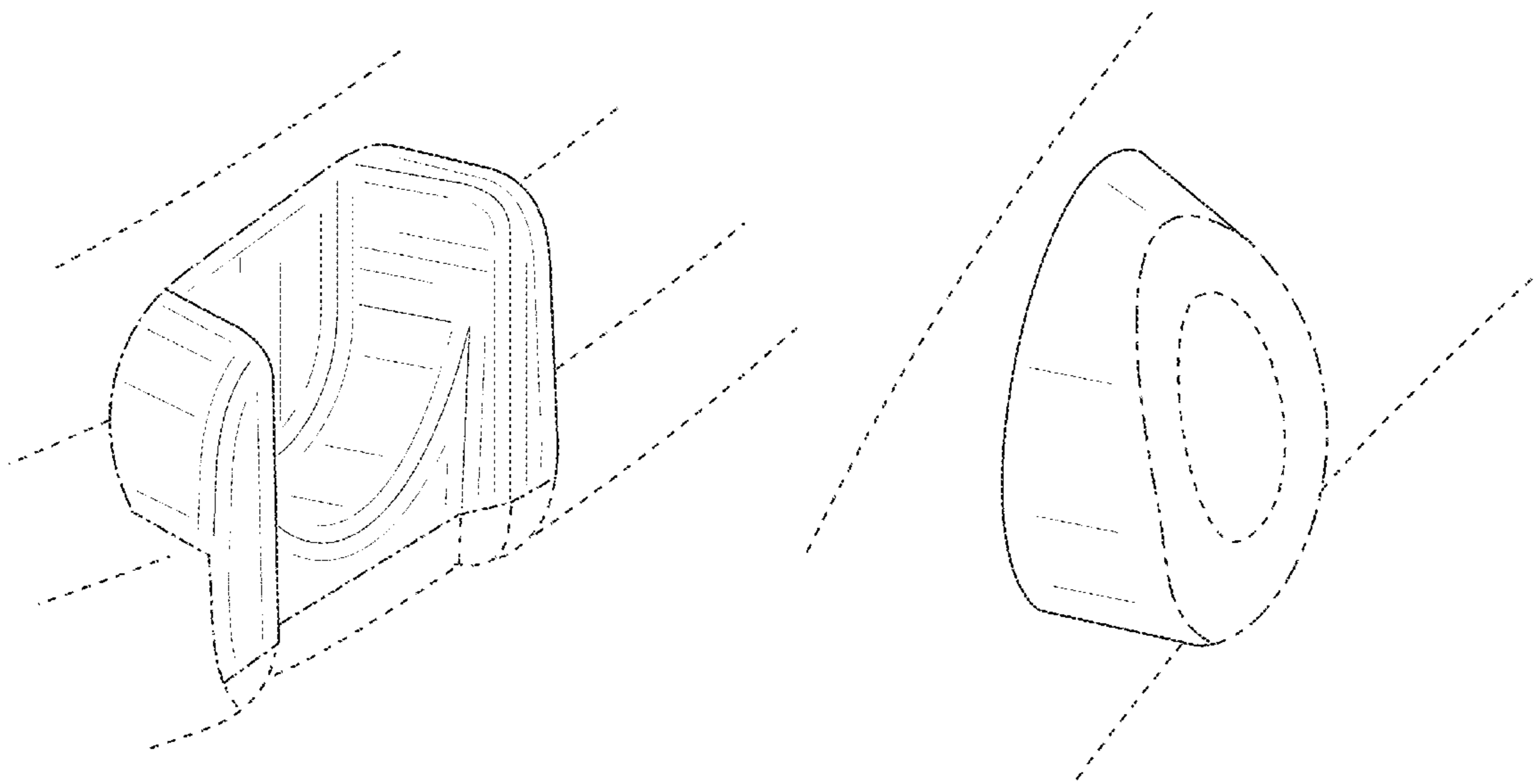
(57) **CLAIM**

The ornamental design for a lid, as shown and described.

**DESCRIPTION**

FIG. 1 is a top, front, left, exploded perspective view of the lid;  
FIG. 2 is a top, front, right perspective view thereof, wherein some unclaimed subject matter has been omitted for clarity;  
FIG. 3 is a rear view thereof;  
FIG. 4 is a left side view thereof;  
FIG. 5 is a right side view thereof;  
FIG. 6 is a top view thereof;  
FIG. 7 is an enlarged view taken from the broken line section 7 of FIG. 2;  
FIG. 8 is a second top, front, right perspective view of the lid, wherein some unclaimed subject matter has been omitted for clarity;  
FIG. 9 is a front view thereof;  
FIG. 10 is a rear view thereof;  
FIG. 11 is a left side view thereof;  
FIG. 12 is a right side view thereof;  
FIG. 13 is a top view thereof; and,  
FIG. 14 is an enlarged view taken from the broken line section 14 of FIG. 8.  
In the drawings, the even-length broken lines depict environment and portions of the lid that form no part of the claim. The uneven-length broken lines immediately adjacent to the shaded surfaces represent boundaries of the claimed design and form no part thereof.

**1 Claim, 14 Drawing Sheets**



(58) **Field of Classification Search**

USPC .... D9/430, 432, 731, 734; D3/203.1, 203.2,  
                   D3/203.4; D6/515, 517, 518, 522;  
                   D28/82  
 CPC ..... A47K 10/42; A47K 2010/3266; B65D  
                   43/169; B65D 43/26; B65D 47/088;  
                   B65D 75/5894; B65D 83/0805  
 See application file for complete search history.

(56) **References Cited**

U.S. PATENT DOCUMENTS

D633,790	S	*	3/2011	Pontes	.....	D9/438
D660,722	S	*	5/2012	Rodriguez	.....	D9/731
D712,751	S		9/2014	Bechyne et al.		
D719,847	S		12/2014	Li et al.		
9,399,540	B2		7/2016	Bushman et al.		
D794,456	S	*	8/2017	Rockwell	.....	D9/434
D802,419	S	*	11/2017	Seiders	.....	D7/392.1
D809,918	S	*	2/2018	Wiggins	.....	D9/434
D810,871	S	*	2/2018	Hegdahl	.....	D23/225
D811,525	S	*	2/2018	Hegdahl	.....	D23/225
D820,680	S	*	6/2018	Morgan	.....	D9/434
D821,403	S	*	6/2018	Howell	.....	D14/425
D826,632	S	*	8/2018	Breit	.....	D8/395
D833,571	S	*	11/2018	Gullicks	.....	D23/213
D849,533	S	*	5/2019	Broyles	.....	D9/434
D851,984	S	*	6/2019	Hill	.....	D7/392.1

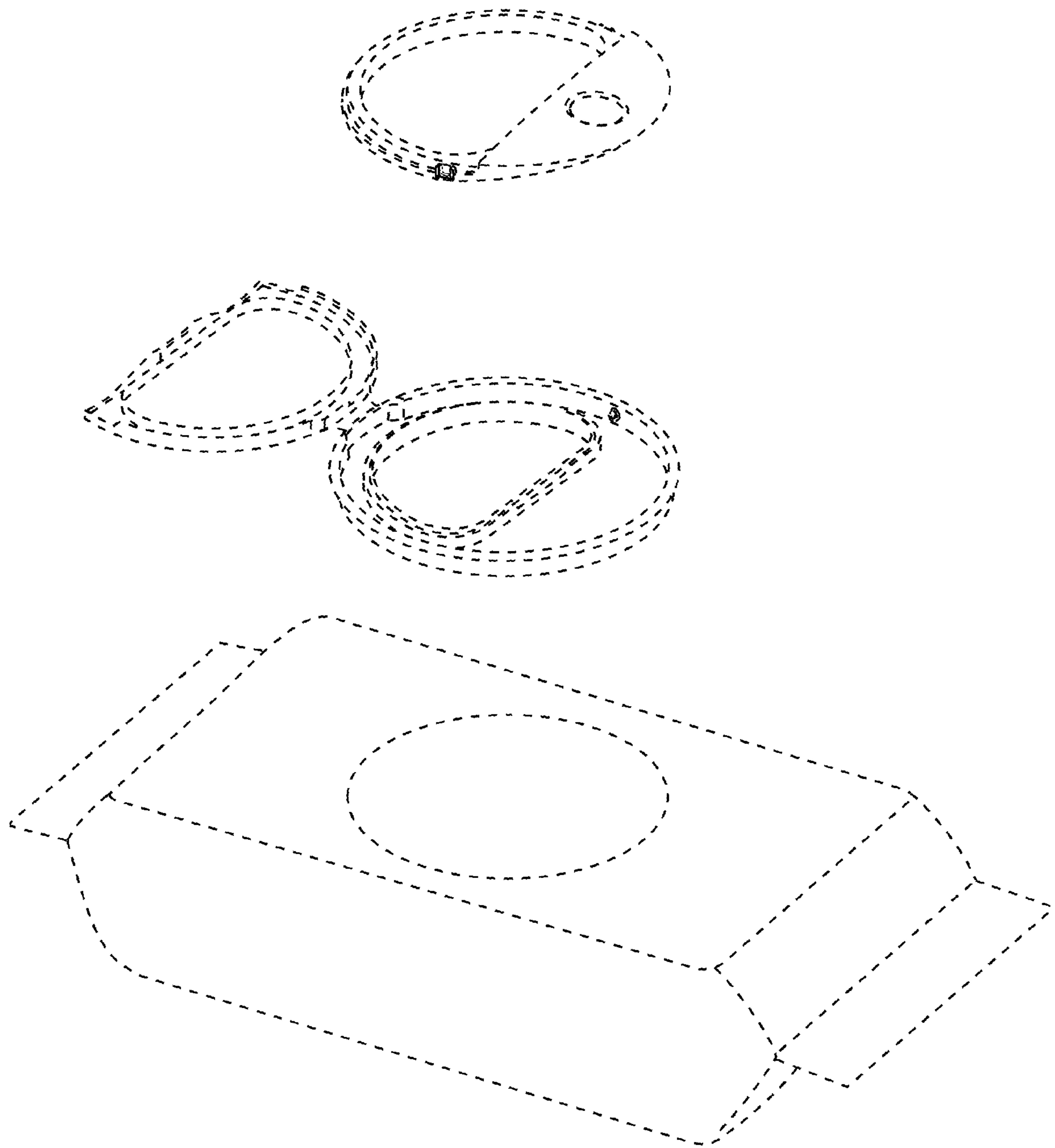
10,349,790	B2		7/2019	Fulscher et al.		
D881,699	S	*	4/2020	Bradbury	.....	D9/434
10,894,656	B2	*	1/2021	Lange	.....	A47K 10/421
D912,514	S	*	3/2021	Moon	.....	D9/449
D914,440	S	*	3/2021	Snyder	.....	D7/392.1
D915,133	S	*	4/2021	Nguyen	.....	D9/434
D918,339	S	*	5/2021	Schulz	.....	D23/225
D922,140	S	*	6/2021	Taylor	.....	D7/396.2
D923,877	S	*	6/2021	Hasegawa	.....	D28/82
D933,300	S	*	10/2021	Lee	.....	D28/82
D937,087	S	*	11/2021	Gauger	.....	D9/434
D937,675	S	*	12/2021	Berger	.....	D9/449
D951,088	S	*	5/2022	Wikstrom	.....	D9/435
2020/0260922	A1	*	8/2020	Rolfs	.....	A47K 10/42
2020/0317411	A1	*	10/2020	Reiley	.....	B65D 51/1677
2021/0244214	A1	*	8/2021	Springer	.....	A47G 19/2272

OTHER PUBLICATIONS

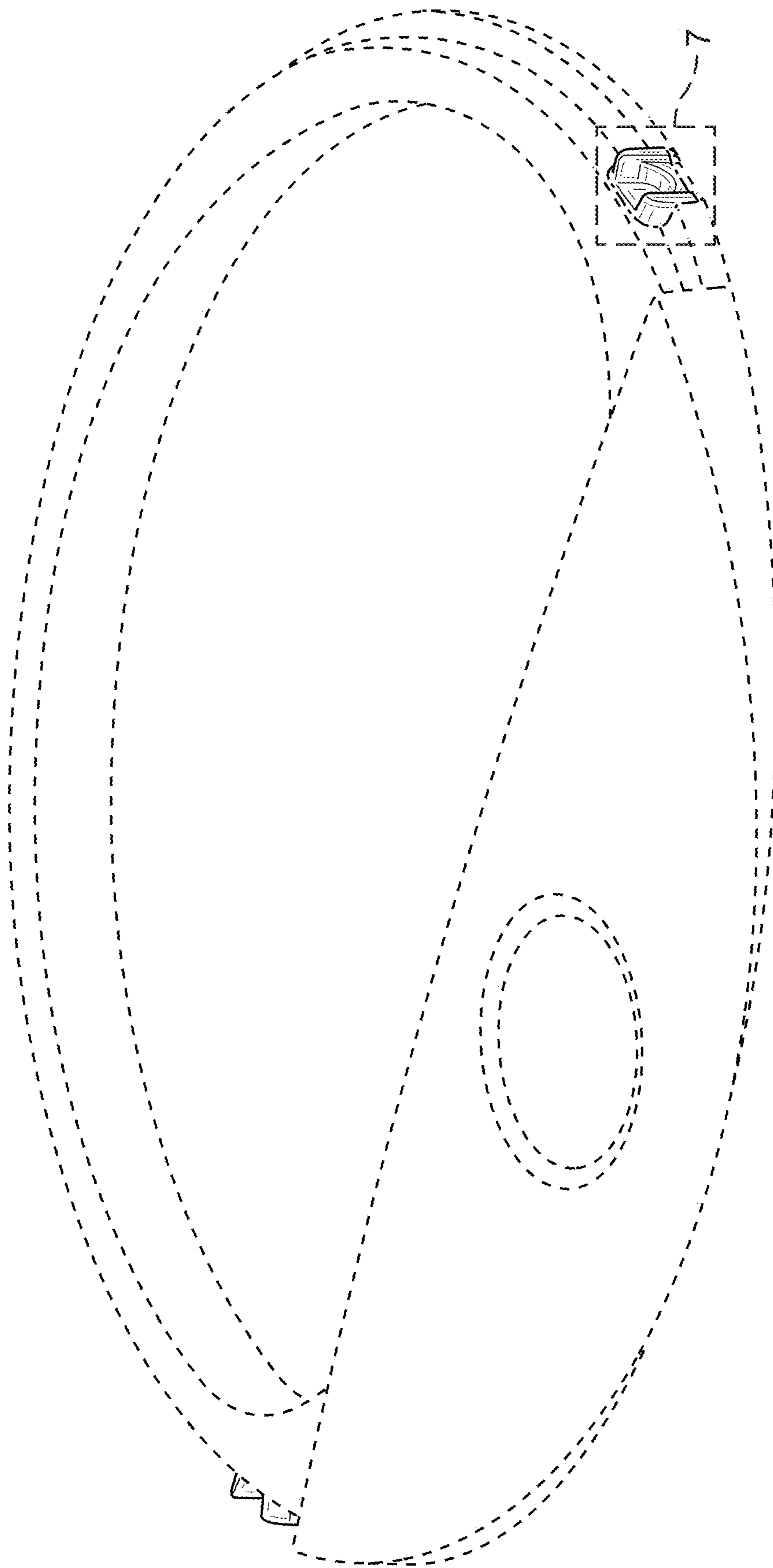
Nonwovens Industry. Kimberly-Clark Partners with Florida Wastewater Facilities. Jun. 4, 2019. [https://www.nonwovens-industry.com/contents/view\\_breaking-news/2019-06-04/kimberly-clark-partners-with-wastewater-facility/](https://www.nonwovens-industry.com/contents/view_breaking-news/2019-06-04/kimberly-clark-partners-with-wastewater-facility/) (Year: 2019).\*

WordPress. Wet Wipes Packaging Gets Decorative for the Home. Jul. 10, 2013. <https://perimeterbp.wordpress.com/tag/wet-wipes-packaging/> (Year: 2013).\*

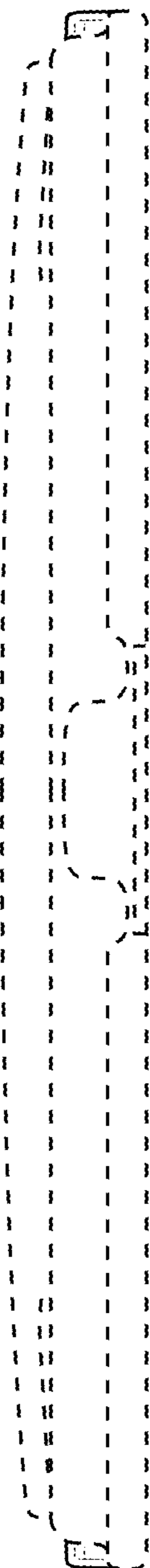
\* cited by examiner



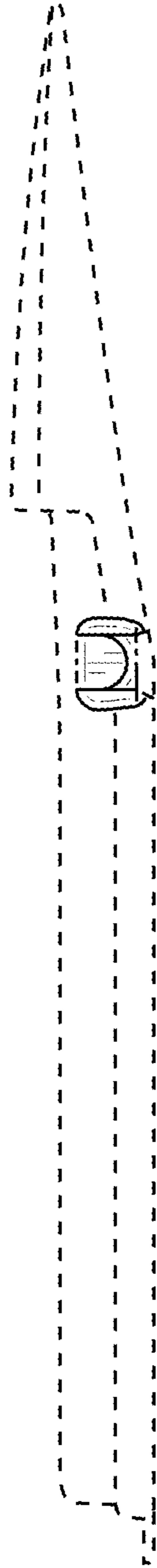
**FIG. 1**



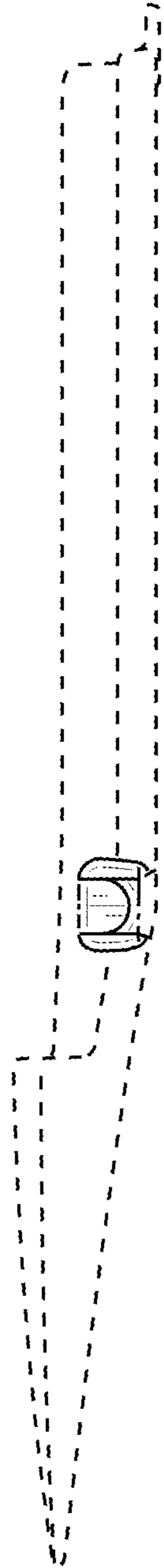
**FIG. 2**



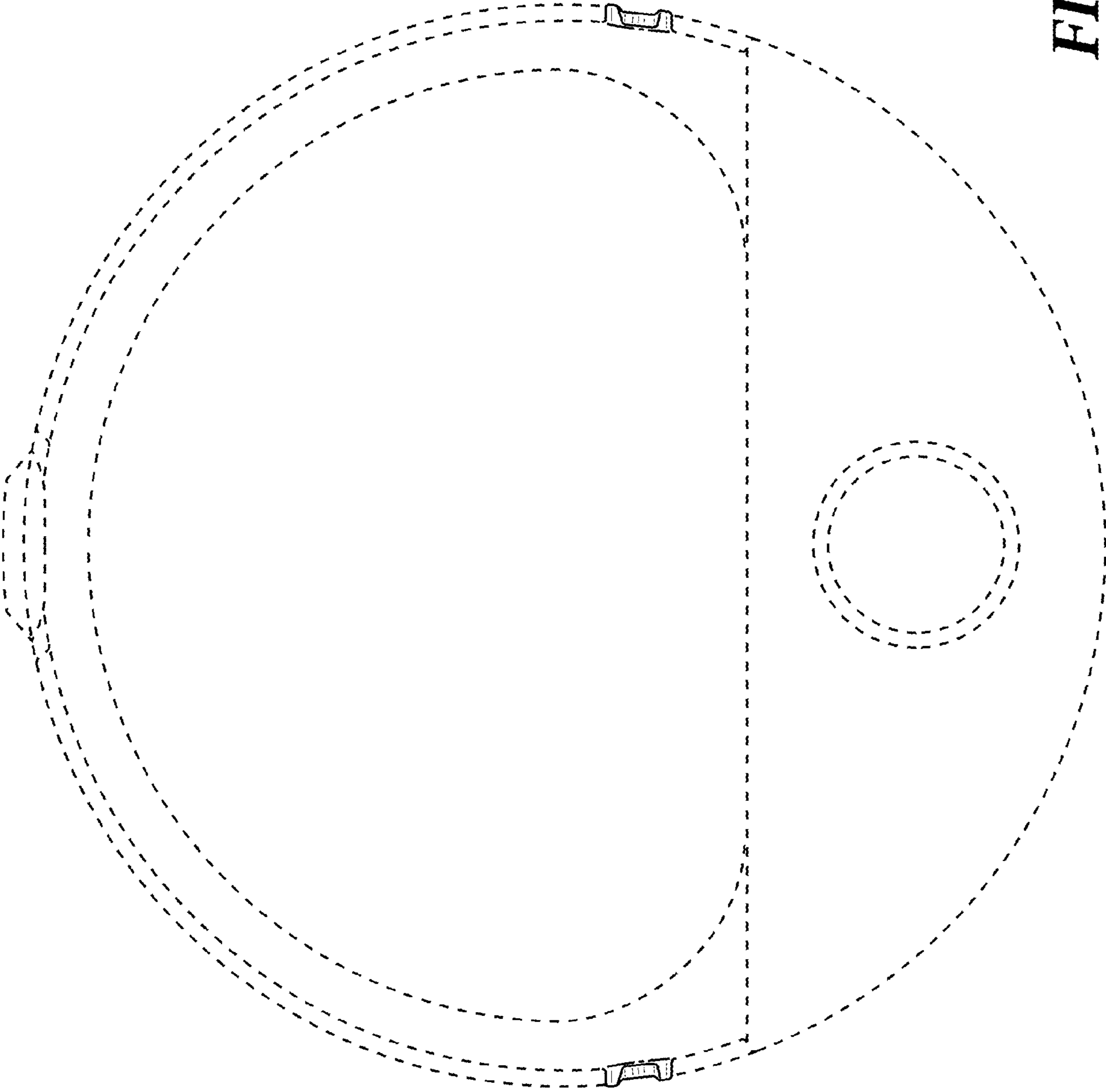
**FIG. 3**



**FIG. 4**

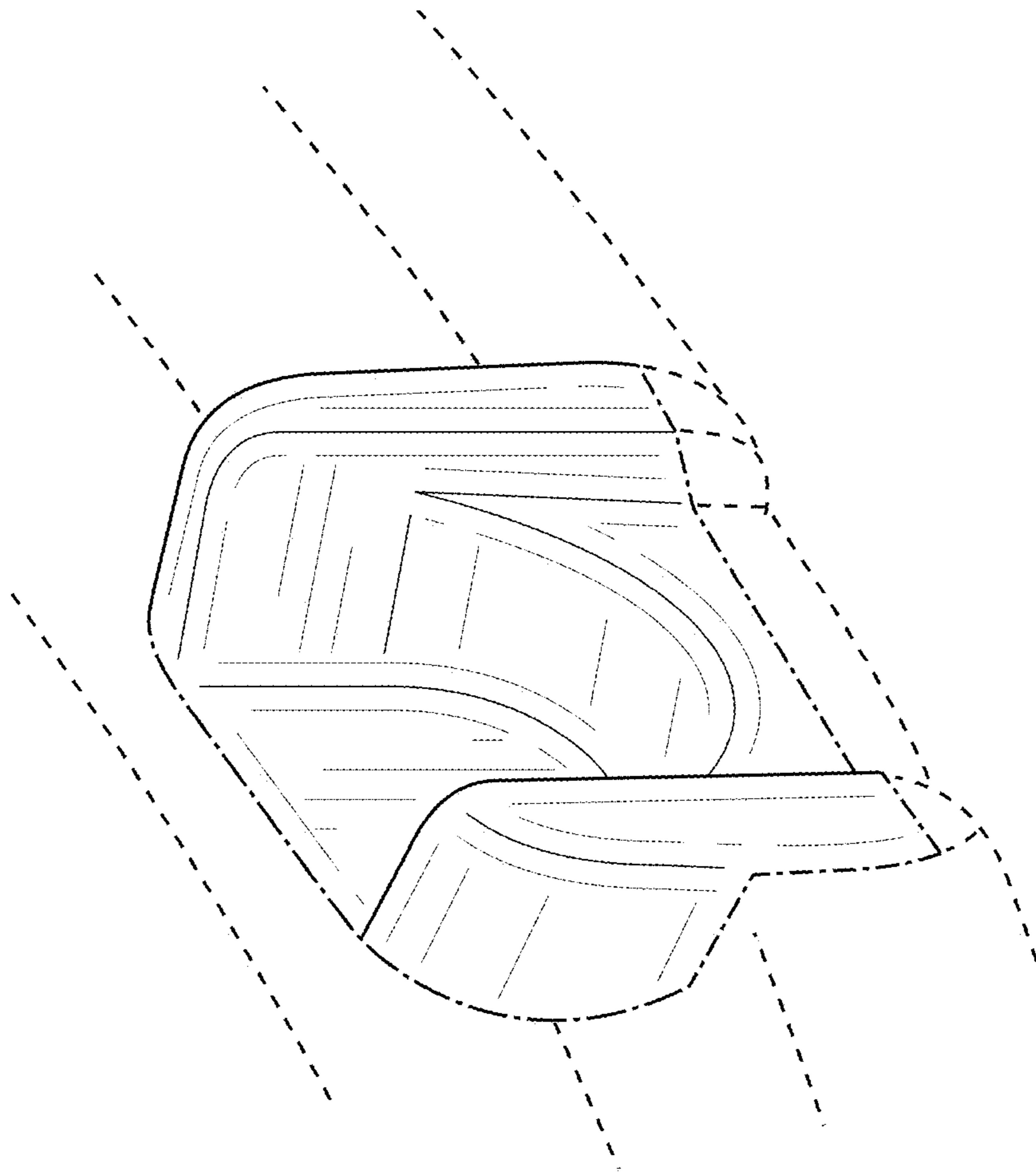


**FIG. 5**

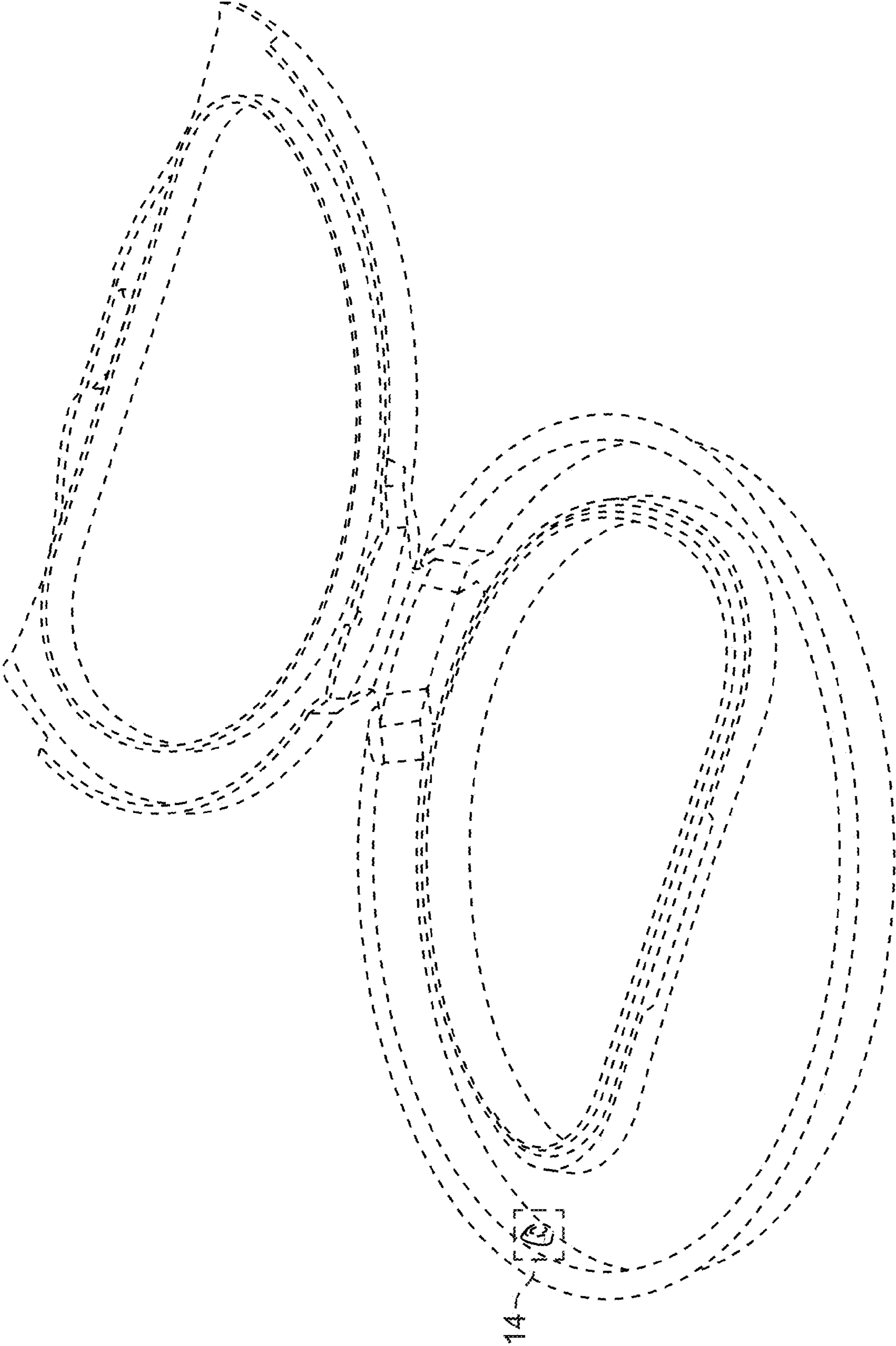


**FIG. 6**

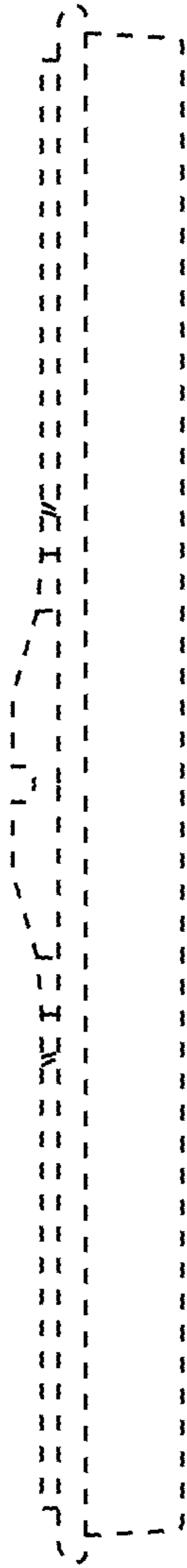




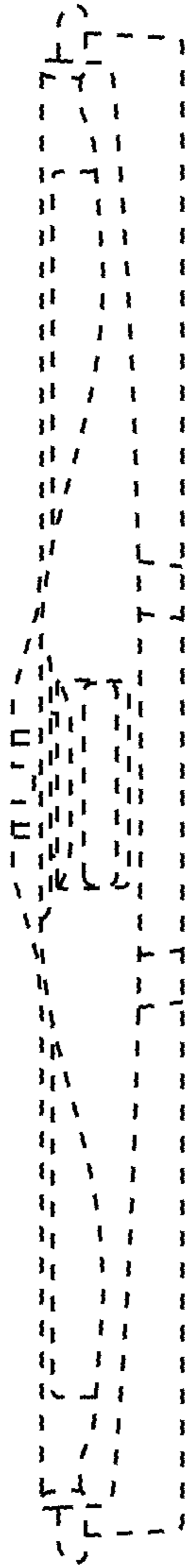
**FIG. 7**



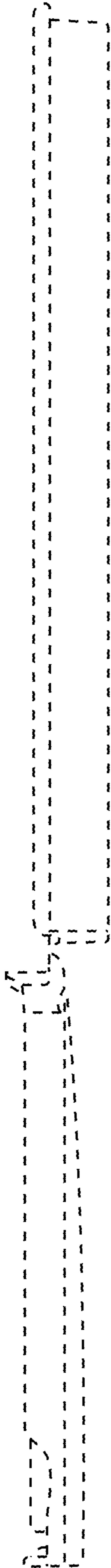
**FIG. 8**



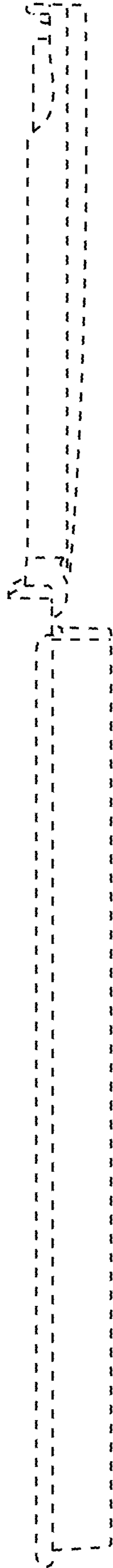
**FIG. 9**



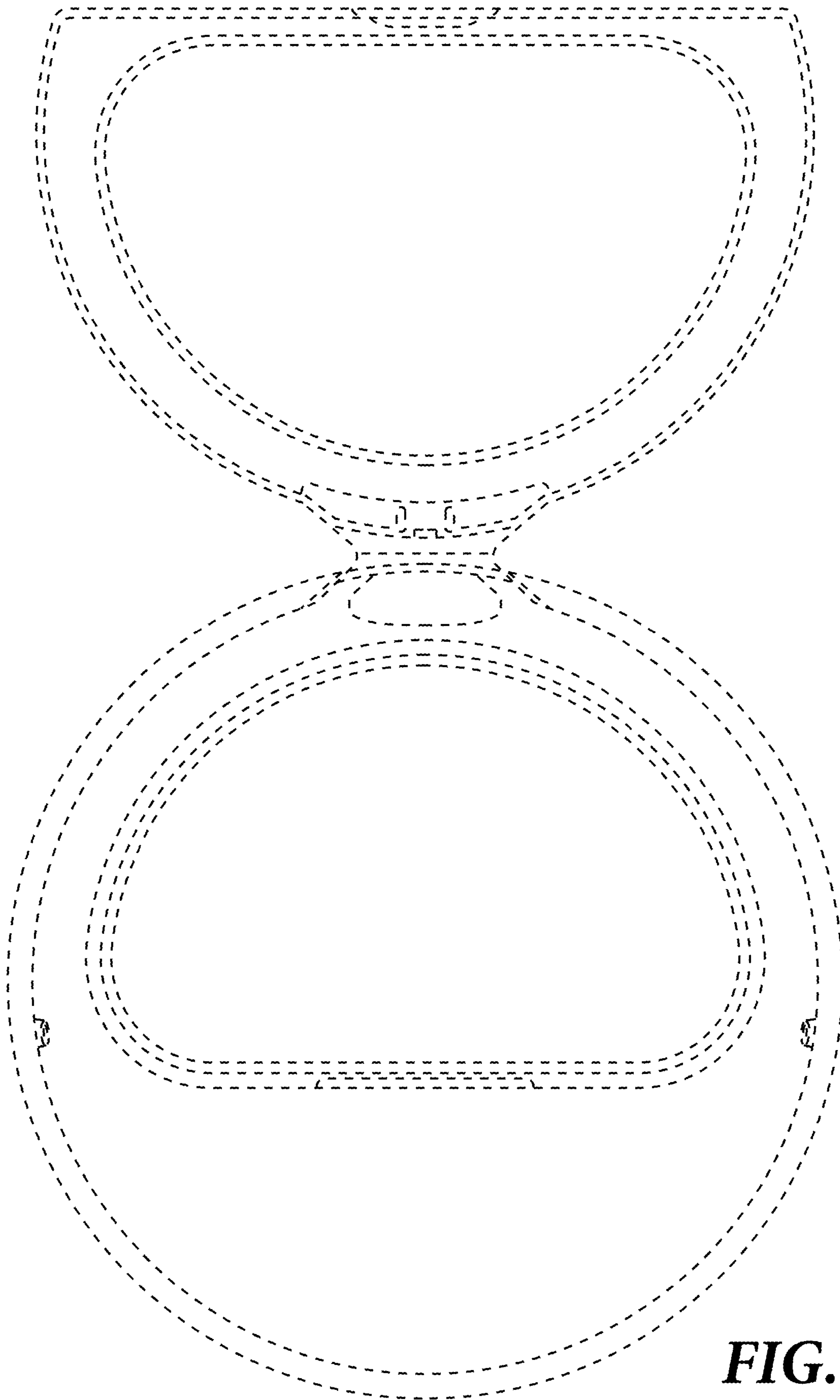
**FIG. 10**



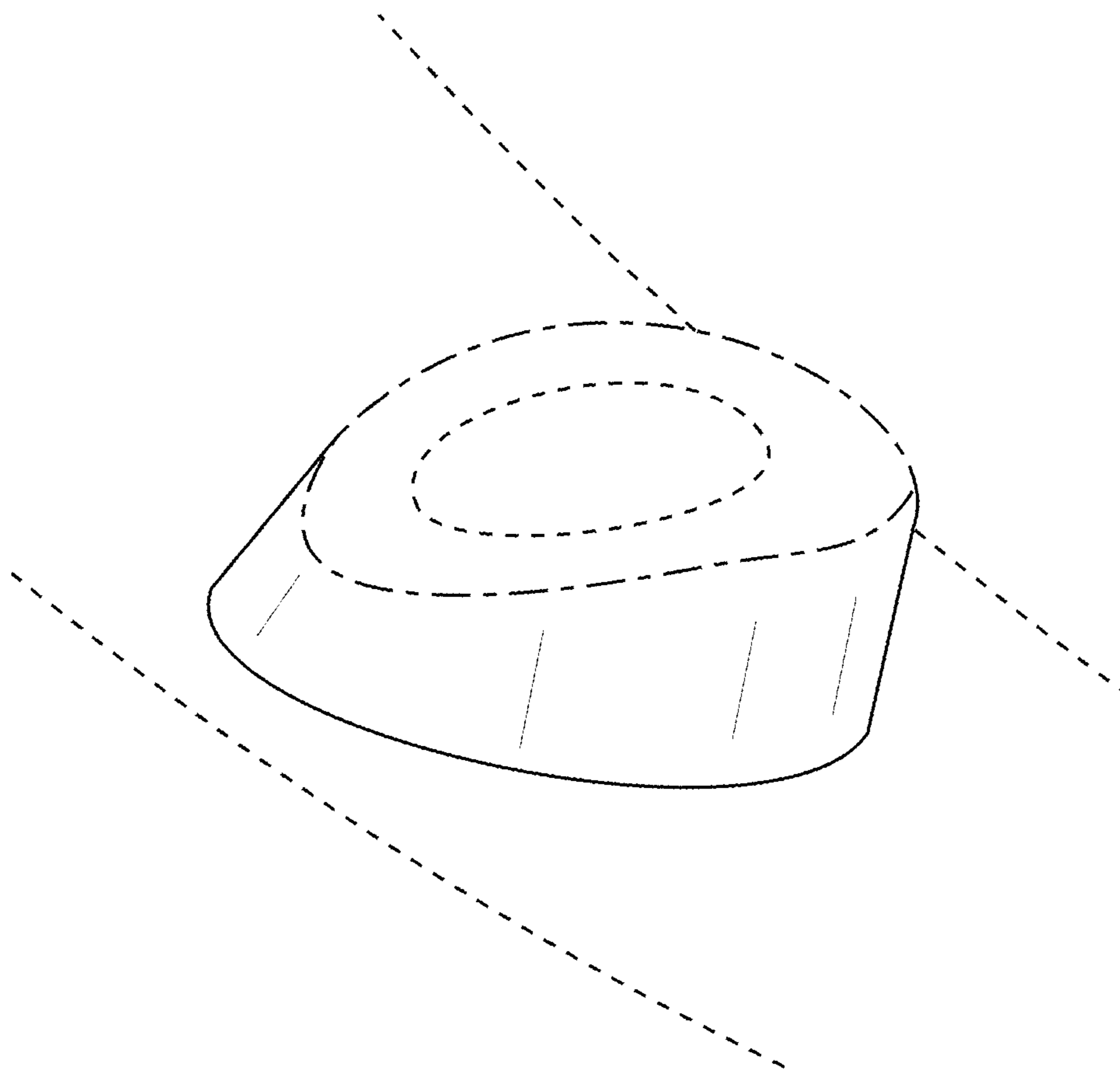
**FIG. 11**



**FIG. 12**



**FIG. 13**



**FIG. 14**