



US00D964851S

(12) **United States Design Patent** (10) **Patent No.:** **US D964,851 S**
Aloisio et al. (45) **Date of Patent:** **** Sep. 27, 2022**

(54) **PIZZA BOX**

(71) Applicant: **Krispbox, LLC**, Coral Springs, FL (US)

(72) Inventors: **Shaun Aloisio**, Parkland, FL (US);
Anthony Suriano, Delray Beach, FL (US)

(73) Assignee: **Krispbox, LLC**, Coral Springs, FL (US)

(**) Term: **15 Years**

(21) Appl. No.: **29/798,992**

(22) Filed: **Jul. 12, 2021**

(51) **LOC (13) Cl.** **09-01**

(52) **U.S. Cl.**
USPC **D9/432; D9/433**

(58) **Field of Classification Search**
USPC D9/414–423, 430–433, 457, 699, 711,
D9/713, 737; D3/276, 294
CPC B65D 5/00; B65D 5/0015; B65D 5/02;
B65D 5/0227; B65D 5/0236; B65D 5/18;
B65D 5/20; B65D 5/32
See application file for complete search history.

(56) **References Cited**

U.S. PATENT DOCUMENTS

3,163,344 A 12/1964 Tunick
4,355,757 A 10/1982 Roccaforte
(Continued)

OTHER PUBLICATIONS

A Pizza Geek Discovers the World’s Smartest Pizza Box. [online] Published Jan. 17, 2014. Retrieved from URL: <https://www.wired.com/2014/01/huh-the-best-designed-pizza-box-is-from-india/> (Year: 2014).*

(Continued)

Primary Examiner — Vy N Koenig

(74) *Attorney, Agent, or Firm* — Jacqueline Tadros, Esq.;
Jacqueline Tadros, P.A.

(57) **CLAIM**

The ornamental design for a pizza box, as shown and described.

DESCRIPTION

FIG. 1 is a front perspective view of a pizza box, according to the present design in a closed position.

FIG. 2 is a front perspective view of the pizza box of FIG. 1, in an open position illustrating the interior shelf panel situated horizontally within the pizza box, according to the present design.

FIG. 3 is another front perspective view of the pizza box of FIG. 2, in an open position, illustrating the interior shelf panel in an upright position on the pizza box, according to the present design.

FIG. 4 is a top view of the pizza box of FIG. 1, according to the present design.

FIG. 5 is a bottom view of the pizza box of FIG. 1, according to the present design.

FIG. 6 is a front view of the pizza box of FIG. 1, according to the present design.

FIG. 7 is a left side view of the pizza box of FIG. 1, according to the present design, a corresponding right side view being a mirror image thereof.

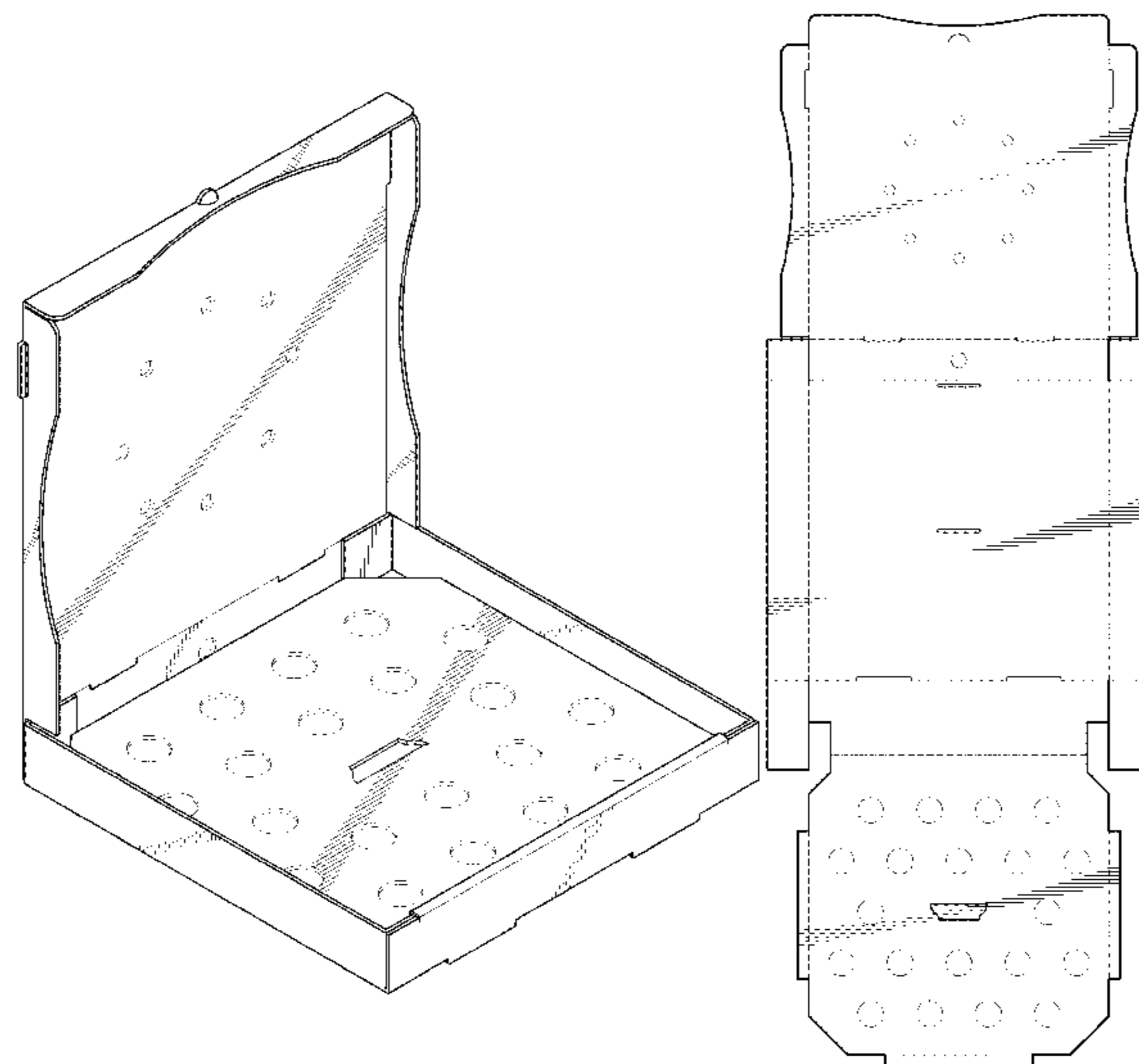
FIG. 8 is a rear view of the pizza box of FIG. 1, according to the present design.

FIG. 9 is a plan view of the pizza box of FIG. 1, in a completely unfolded position, according to the present design; and,

FIG. 10 is a sectional view of the pizza box taken along line 10-10 of FIG. 4, according to the present design.

The evenly-dashed broken lines in FIG. 9 depict perforations and fold lines and form part of the claimed design. The dash-dot lines in all the figures depict features of the pizza box that form no part of the claimed design.

1 Claim, 8 Drawing Sheets



(56)

References Cited

U.S. PATENT DOCUMENTS

4,441,626 A 4/1984 Hall
 4,567,341 A 1/1986 Brown
 4,723,700 A 2/1988 Wischusen, III
 4,960,238 A 10/1990 Lorenz
 5,385,292 A 1/1995 Labianca et al.
 5,423,477 A 6/1995 Valdman et al.
 5,445,314 A 8/1995 Newsome
 5,472,139 A 12/1995 Valdman et al.
 5,605,231 A 2/1997 Borsboom et al.
 D390,110 S 2/1998 Mario
 5,725,146 A 3/1998 Luberto
 5,950,912 A 9/1999 Economopoulos
 6,095,324 A 8/2000 Mullin
 D449,520 S * 10/2001 DiZoglio, III D9/423
 D455,957 S * 4/2002 Sisinni D9/423
 D465,415 S * 11/2002 Sisinni D9/432
 6,752,311 B2 6/2004 Tulkoff
 D494,862 S * 8/2004 Sisinni D9/432
 6,851,601 B1 2/2005 Montoya
 6,860,194 B2 3/2005 Pope
 D506,671 S * 6/2005 Tilley D9/432
 6,915,949 B1 7/2005 Economopoulos
 6,966,483 B2 11/2005 Manninen
 7,380,702 B2 6/2008 Oddo
 7,487,880 B2 2/2009 Guarrascio
 D607,321 S 1/2010 Mark
 D649,040 S * 11/2011 Sanders D9/432

D681,452 S 5/2013 Dennen et al.
 D683,213 S * 5/2013 Clegg D9/432
 D690,587 S * 10/2013 DeLisle D9/423
 D690,591 S 10/2013 Sanders et al.
 D732,333 S 6/2015 Mercier
 9,061,785 B2 6/2015 Colon
 D747,192 S 1/2016 Nietert et al.
 D767,989 S 10/2016 Nietert et al.
 9,744,738 B2 8/2017 Pugh et al.
 10,272,631 B2 4/2019 Pugh et al.
 D858,275 S * 9/2019 Martin D9/432
 10,569,927 B2 2/2020 Herkenrath
 D878,200 S * 3/2020 Steiner D9/433
 D911,166 S 2/2021 DeListe
 D914,496 S * 3/2021 Steiner D9/433
 D926,566 S * 8/2021 Straszewski D9/432
 D926,567 S * 8/2021 Straszewski D9/432
 2007/0284422 A1 12/2007 Saunders
 2010/0001051 A1 * 1/2010 Castiglioni A47G 21/001
 2017/0202401 A1 7/2017 Mortell
 2018/0065772 A1 2/2018 Nikolic
 229/103

OTHER PUBLICATIONS

Custom Pizza Box. [online] Retrieved Jun. 1, 2022 from URL:
<https://www.fantastapack.com/products/custom-pizza-box> (Year: 2022).*

* cited by examiner

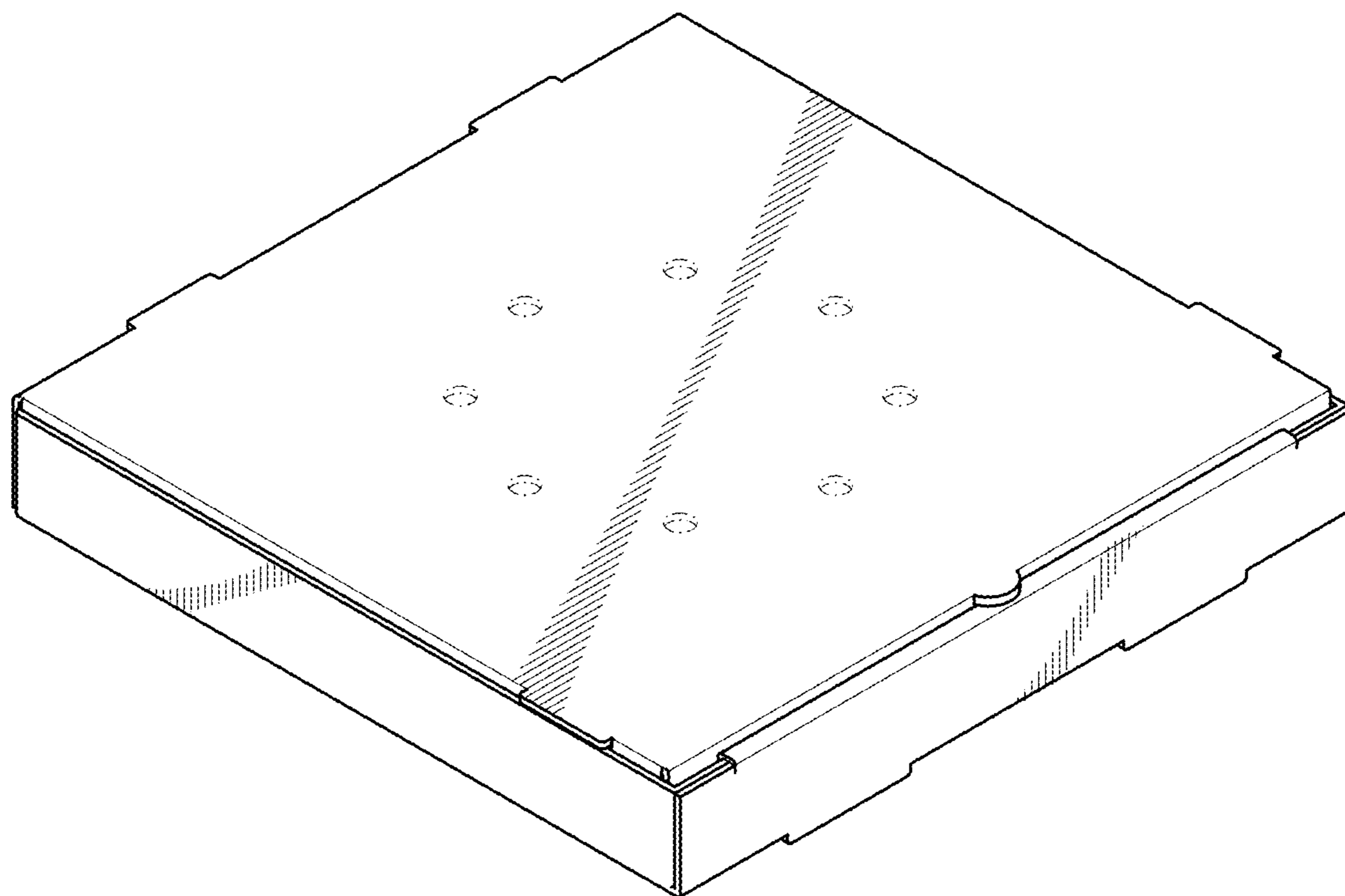


FIG. 1

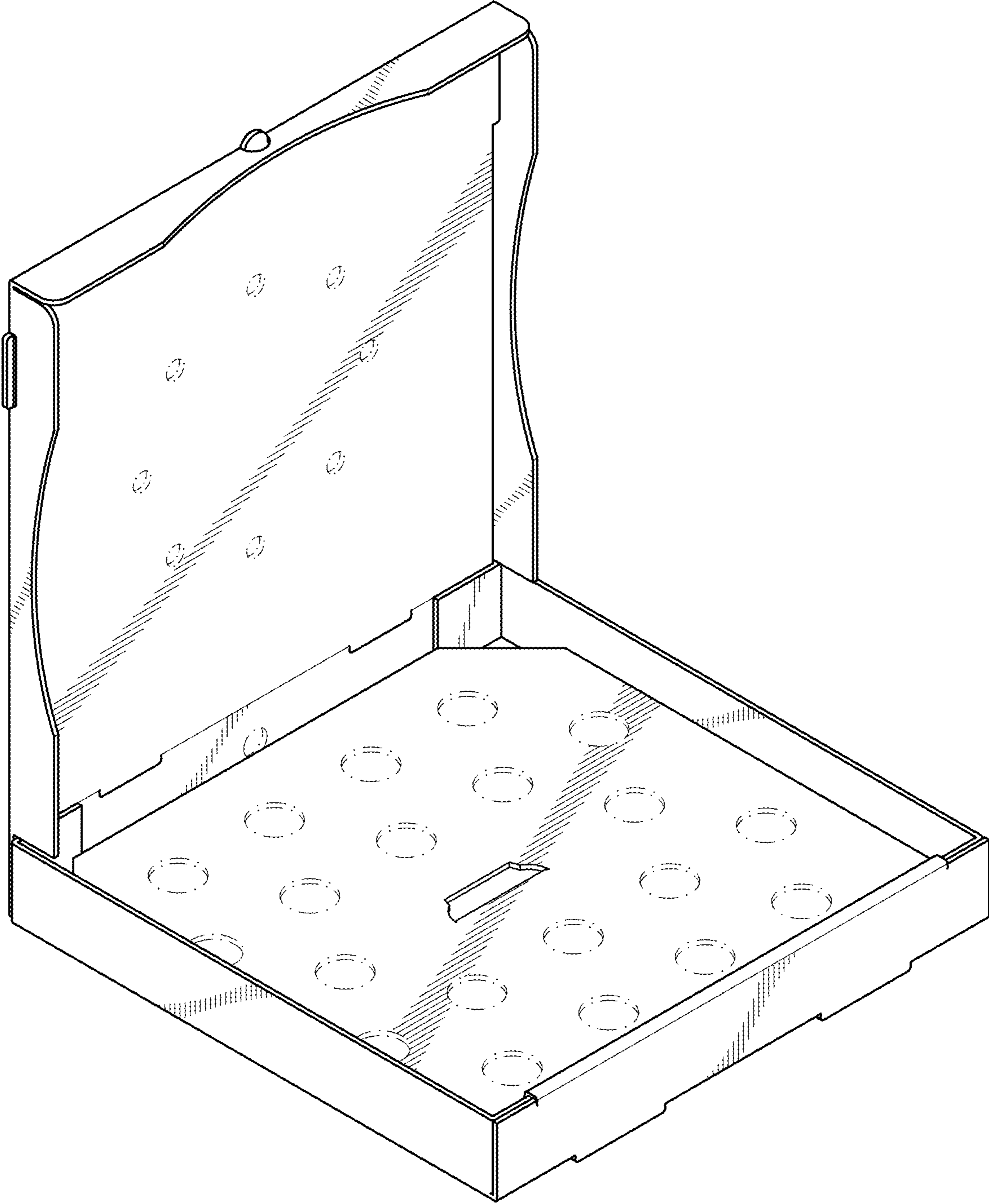


FIG. 2

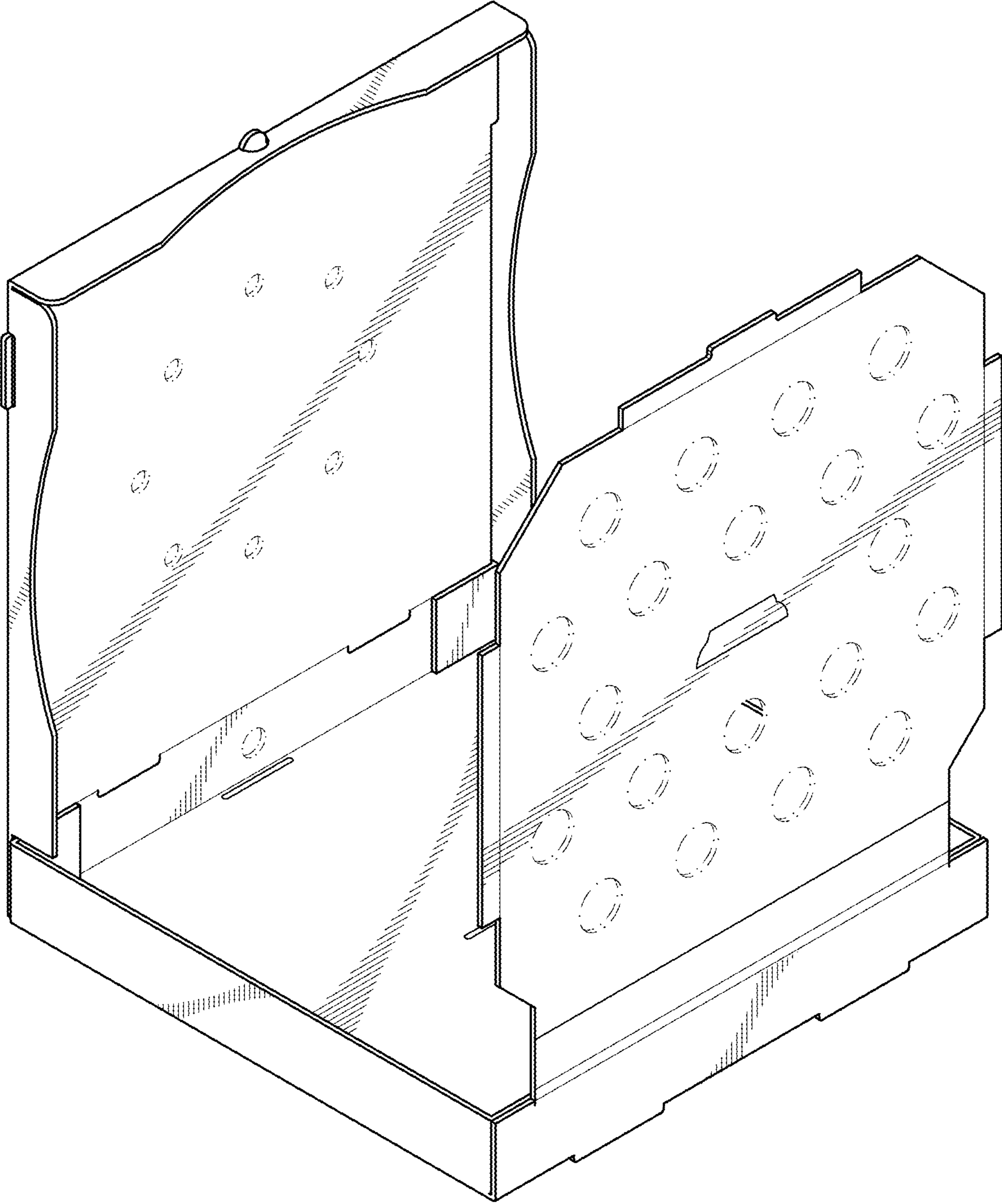


FIG. 3

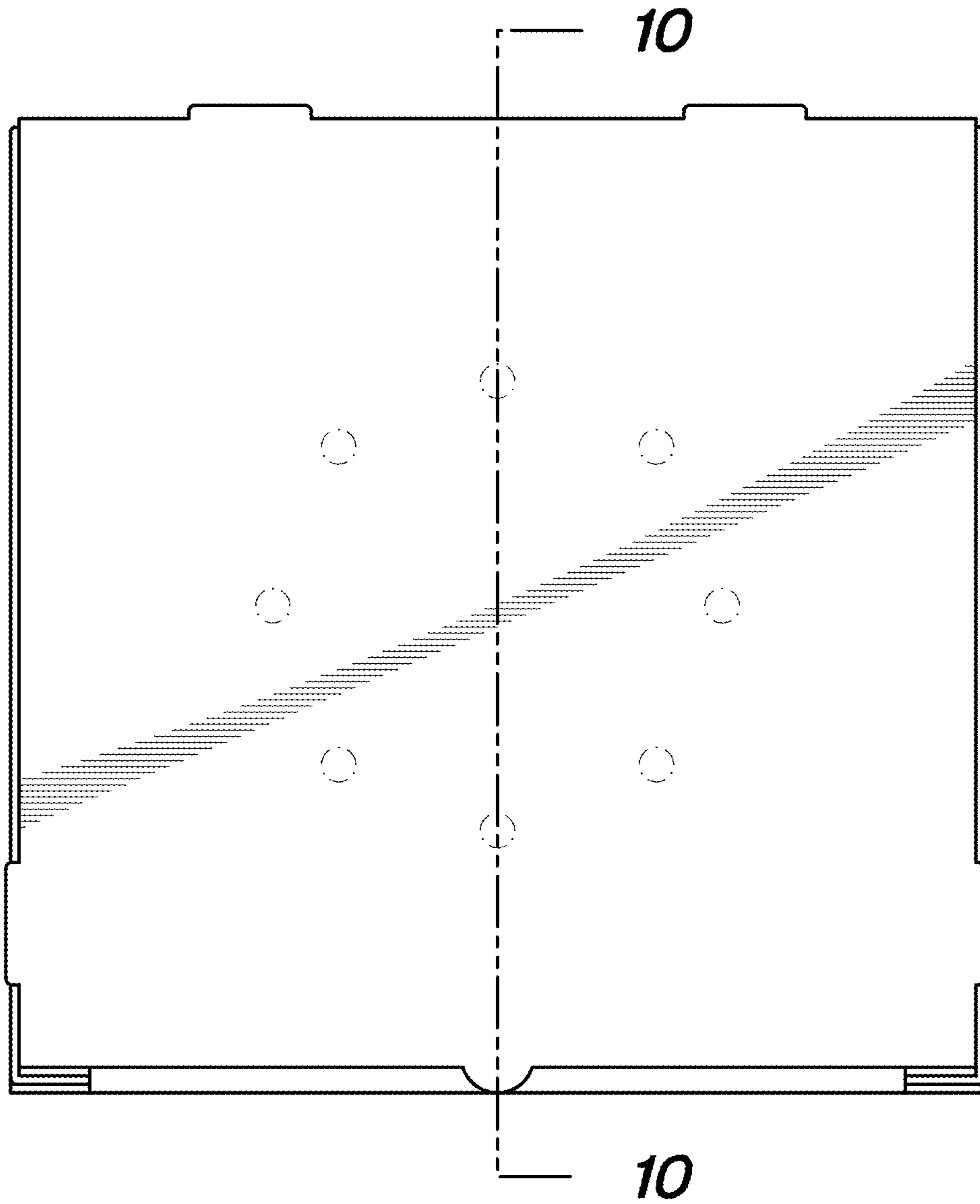


FIG. 4

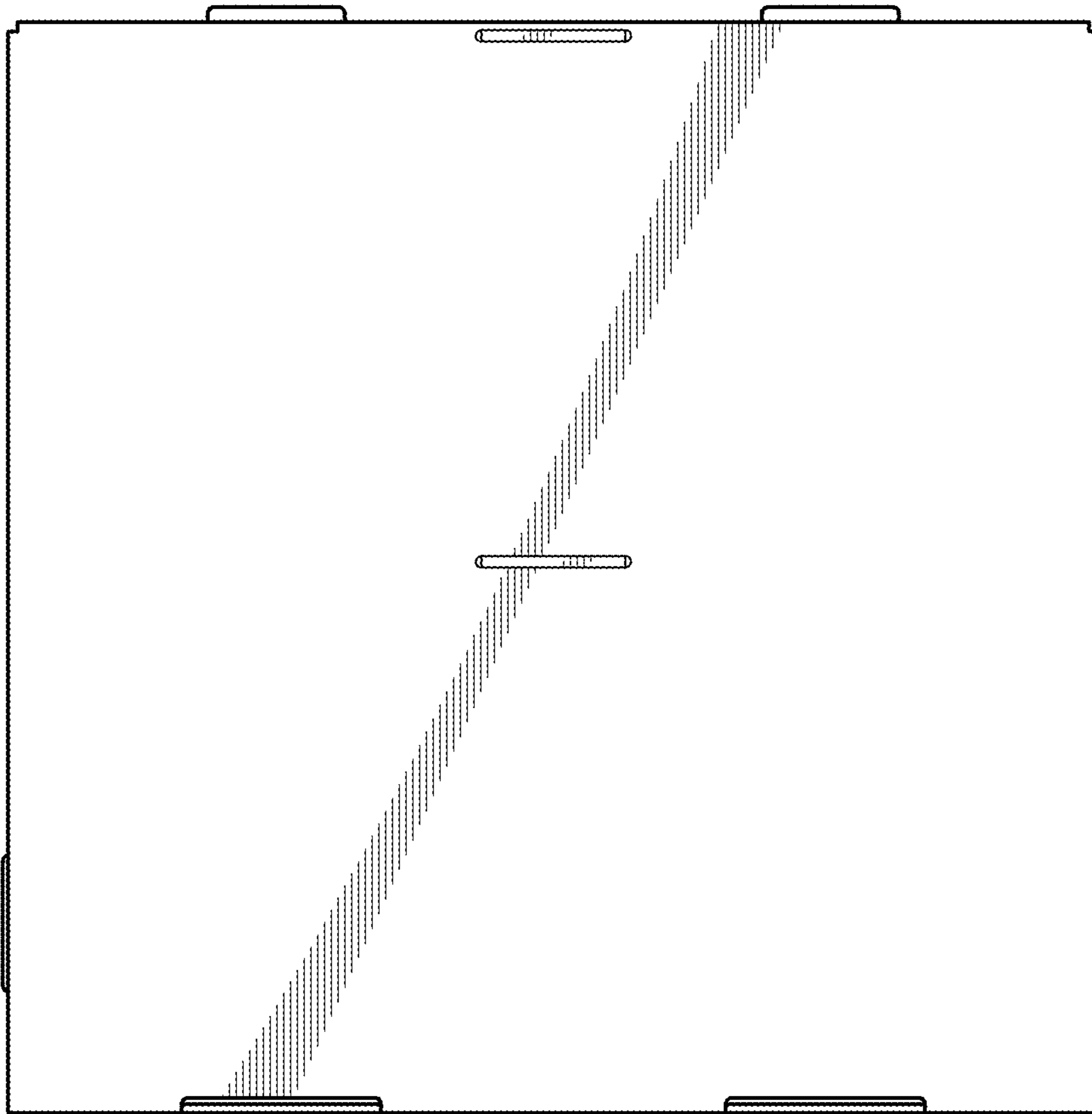


FIG. 5

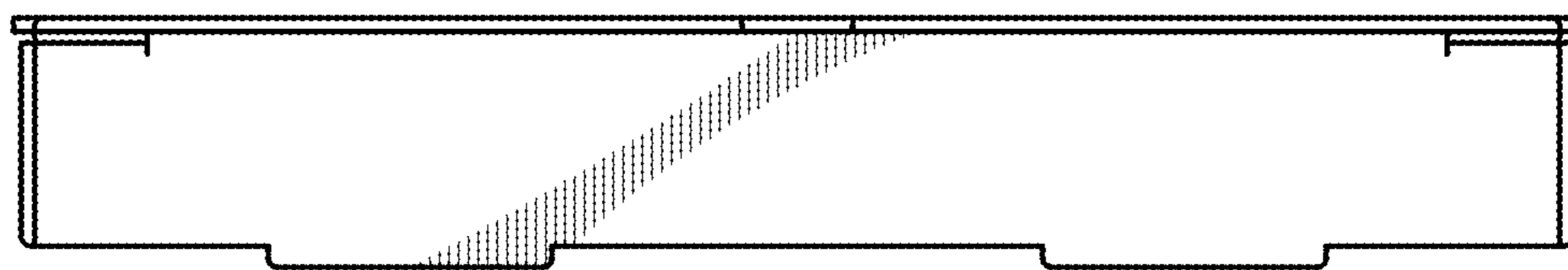


FIG. 6

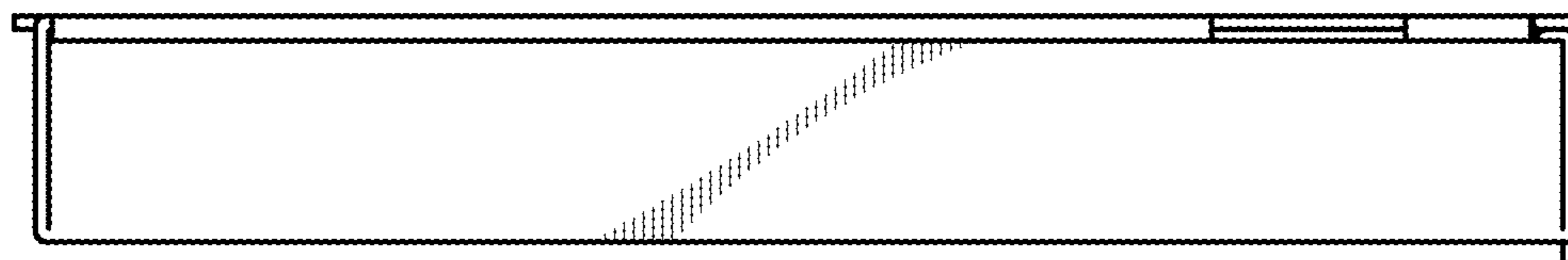


FIG. 7

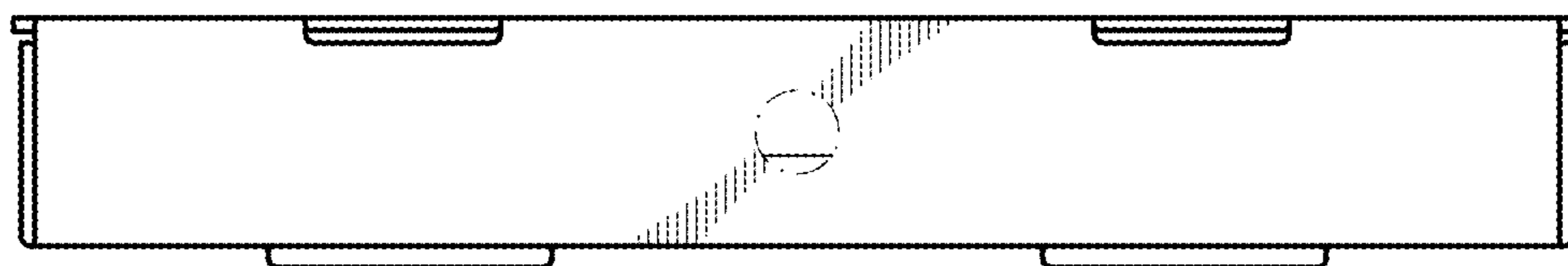


FIG. 8

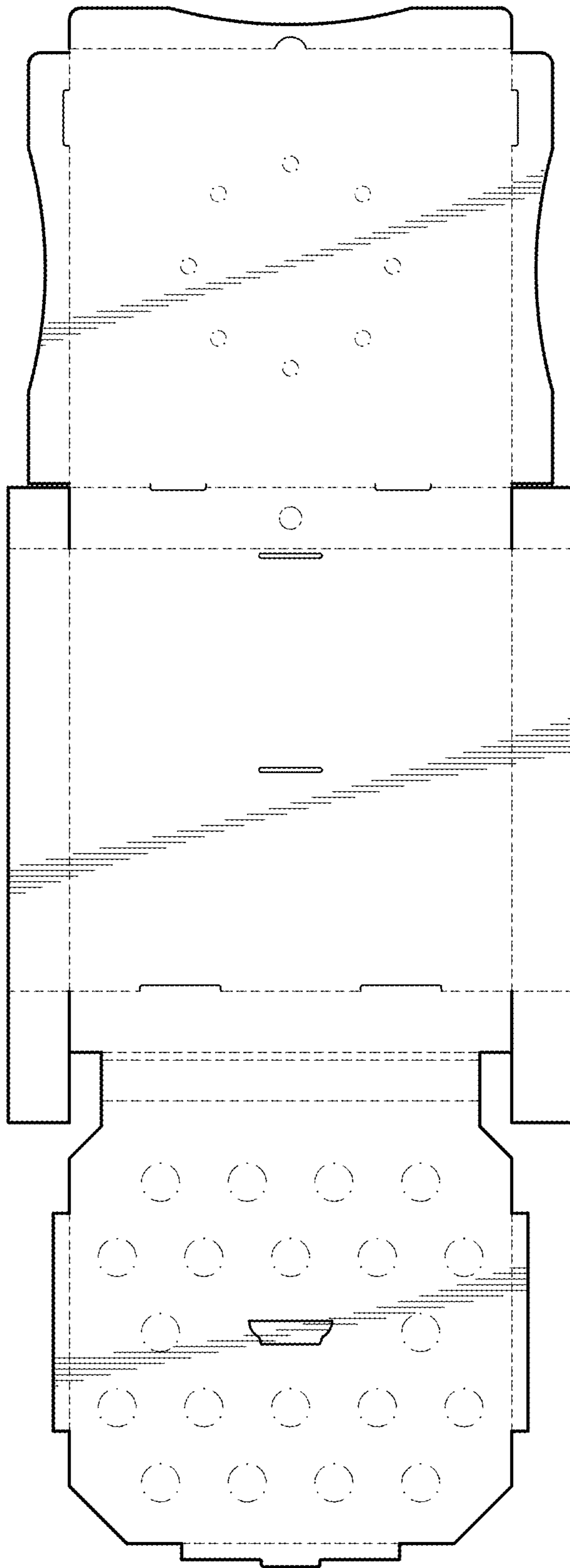


FIG. 9

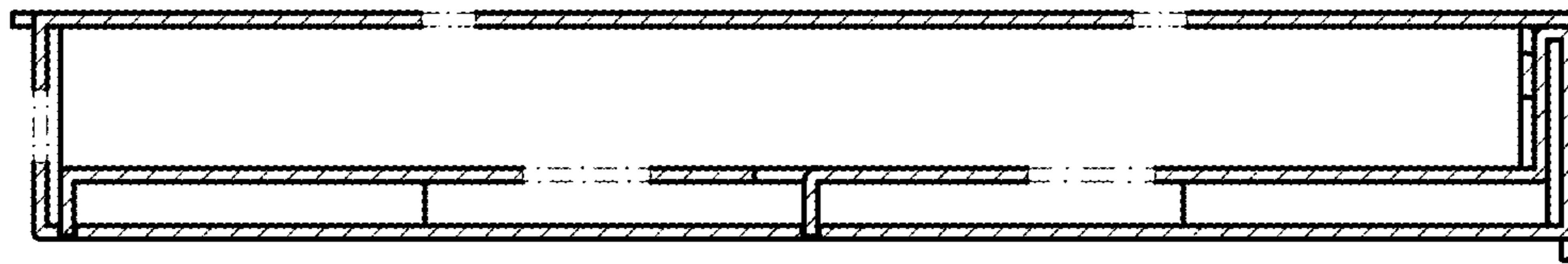


FIG. 10