

US00D964849S

(12) **United States Design Patent**  
**Cheng**

(10) **Patent No.:** **US D964,849 S**

(45) **Date of Patent:** **\*\* Sep. 27, 2022**

(54) **BOX**  
(71) Applicant: **Jinping Cheng**, Jiangxi (CN)  
(72) Inventor: **Jinping Cheng**, Jiangxi (CN)  
(\*\*) Term: **15 Years**

D455,614 S \* 4/2002 Miller ..... D7/629  
D538,156 S 3/2007 Ayats et al.  
D538,357 S \* 3/2007 Salmon ..... D21/505  
D704,008 S \* 5/2014 Cavanagh ..... D7/637  
(Continued)

(21) Appl. No.: **29/828,360**  
(22) Filed: **Feb. 25, 2022**  
(51) **LOC (13) Cl.** ..... **09-03**  
(52) **U.S. Cl.**  
USPC ..... **D9/414**  
(58) **Field of Classification Search**  
USPC ..... D9/414-415, 426, 430-433, 503-504,  
D9/712-713, 734; 206/551; 229/100,  
229/103.2-103.2, 107-108, 148-149,  
229/162.1; D3/20, 201, 272, 294;  
D7/538, 600.1, 601-602, 609-610, 612,  
D7/637; D21/505; D19/3, 4; D20/40  
CPC ..... B65D 5/00; B65D 5/008; B65D 5/0015;  
B65D 5/2028; B65D 5/5023; B65D  
85/36; B65D 1/22; B60S 59/04  
See application file for complete search history.

**FOREIGN PATENT DOCUMENTS**

CN 85300450 \* 9/1986  
CN 201660173 U \* 12/2010  
CN 305107824 \* 4/2019

**OTHER PUBLICATIONS**

NUOBESTY 50pcs Triangle Candy Boxes Cake Shape. Date first available: Feb. 7, 2020. Site visited Jul. 18, 2022. Available online: [https://www.amazon.com/NUOBESTY-Triangle-Chocolate-Birthday-Sky-Blue/dp/B084KW61NX/ref=sr\\_1\\_22](https://www.amazon.com/NUOBESTY-Triangle-Chocolate-Birthday-Sky-Blue/dp/B084KW61NX/ref=sr_1_22) (Year: 2020).\*  
(Continued)

*Primary Examiner* — Catherine S Posthauer  
*Assistant Examiner* — Joan E. Diehl  
(74) *Attorney, Agent, or Firm* — Che-Yang Chen; Law Office of Michael Chen

(56) **References Cited**

**U.S. PATENT DOCUMENTS**

D82,181 S \* 9/1930 Sawin ..... D9/414  
2,583,915 A \* 1/1952 Whitley ..... B65D 5/008  
229/149  
3,118,533 A \* 1/1964 Curtis ..... B65D 5/5023  
426/106  
3,142,430 A \* 7/1964 Meyers ..... B65D 5/008  
229/162.1  
D249,240 S \* 9/1978 Klitzner ..... D3/271.6  
D266,743 S \* 11/1982 Brown ..... D9/417  
D272,806 S \* 2/1984 Handy ..... D9/414  
D317,721 S \* 6/1991 Fiorillo ..... D9/430  
D322,758 S \* 12/1991 Haire ..... D9/430  
5,118,033 A \* 6/1992 Kula ..... B65D 5/2028  
229/148  
D356,254 S \* 3/1995 Correll ..... D9/423

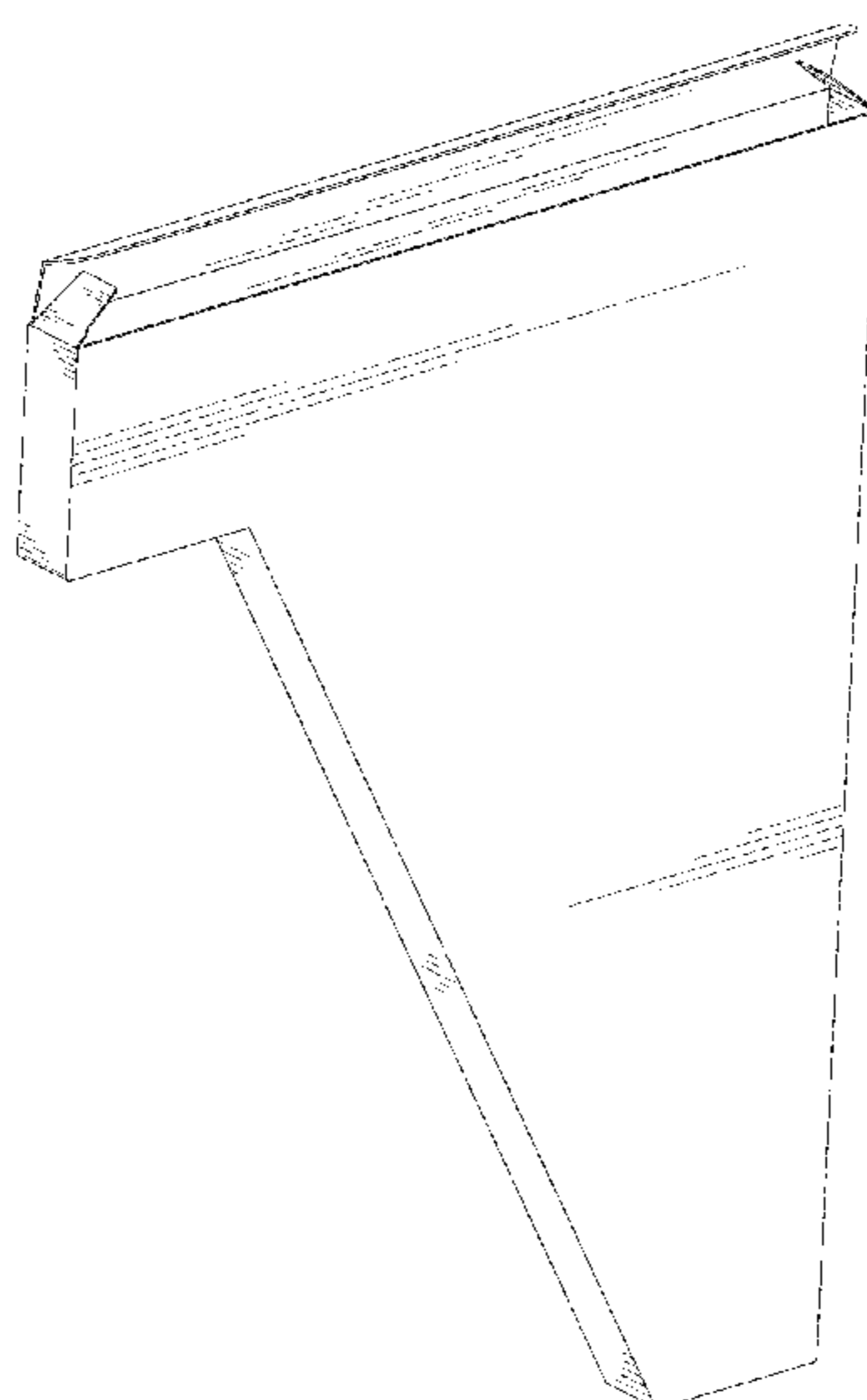
(57) **CLAIM**

The ornamental design for a box, as shown and described.

**DESCRIPTION**

FIG. 1 is a perspective view of the box showing my new design;  
FIG. 2 is a perspective view thereof from another angle;  
FIG. 3 is a front elevational view thereof;  
FIG. 4 is a rear elevational view thereof;  
FIG. 5 is a left side elevational view thereof;  
FIG. 6 is a right side elevational view thereof;  
FIG. 7 is a top plan view thereof; and,  
FIG. 8 is a bottom plan view thereof.

**1 Claim, 8 Drawing Sheets**



(56)

**References Cited**

U.S. PATENT DOCUMENTS

D718,149 S \* 11/2014 Glenn ..... D9/734  
D771,501 S \* 11/2016 Manfredonia ..... D9/712  
D779,878 S \* 2/2017 Marneweck ..... D9/713  
9,856,074 B2 \* 1/2018 Petty ..... B65D 85/36  
2018/0072486 A1 \* 3/2018 Gonzalez ..... B65D 83/62

OTHER PUBLICATIONS

DIY Triangle Gift Boxes—Lines Across. Date first available: May 31, 2013. Site visited Jul. 20, 2022. Available online: <http://www.linesacross.com/2013/05/diy-triangle-gift-boxes.html/> (Year: 2013).\*

\* cited by examiner

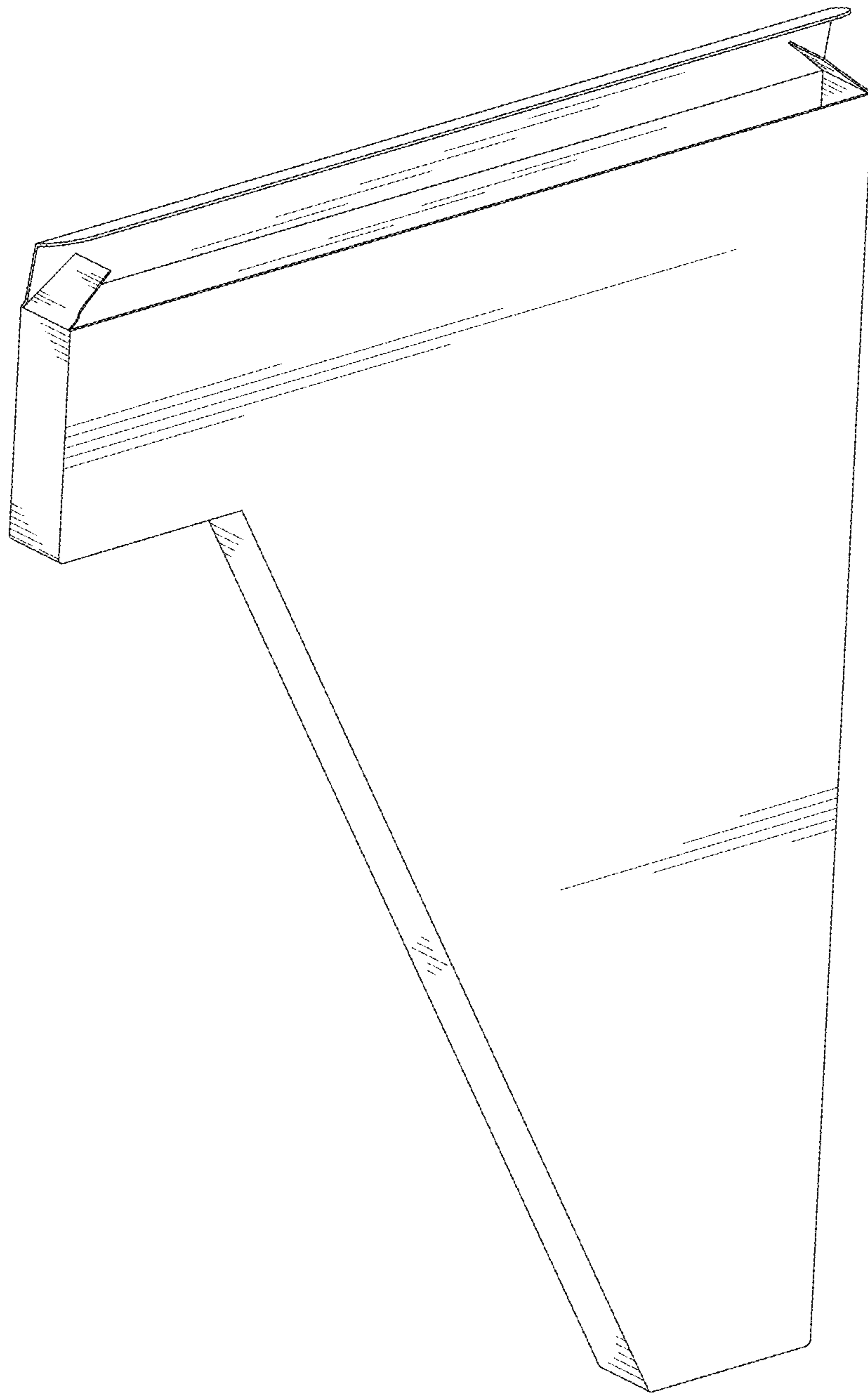


FIG. 1

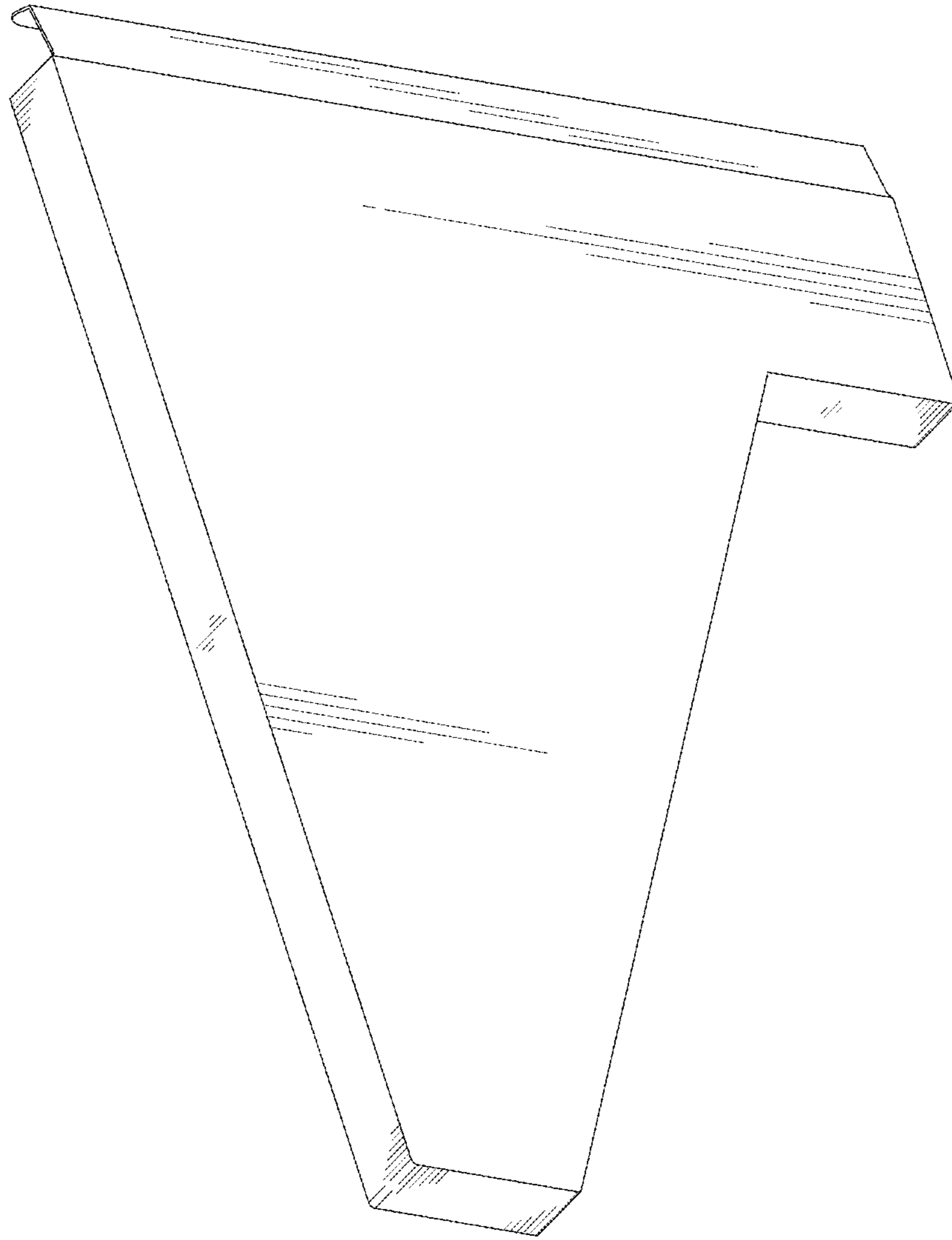


FIG. 2

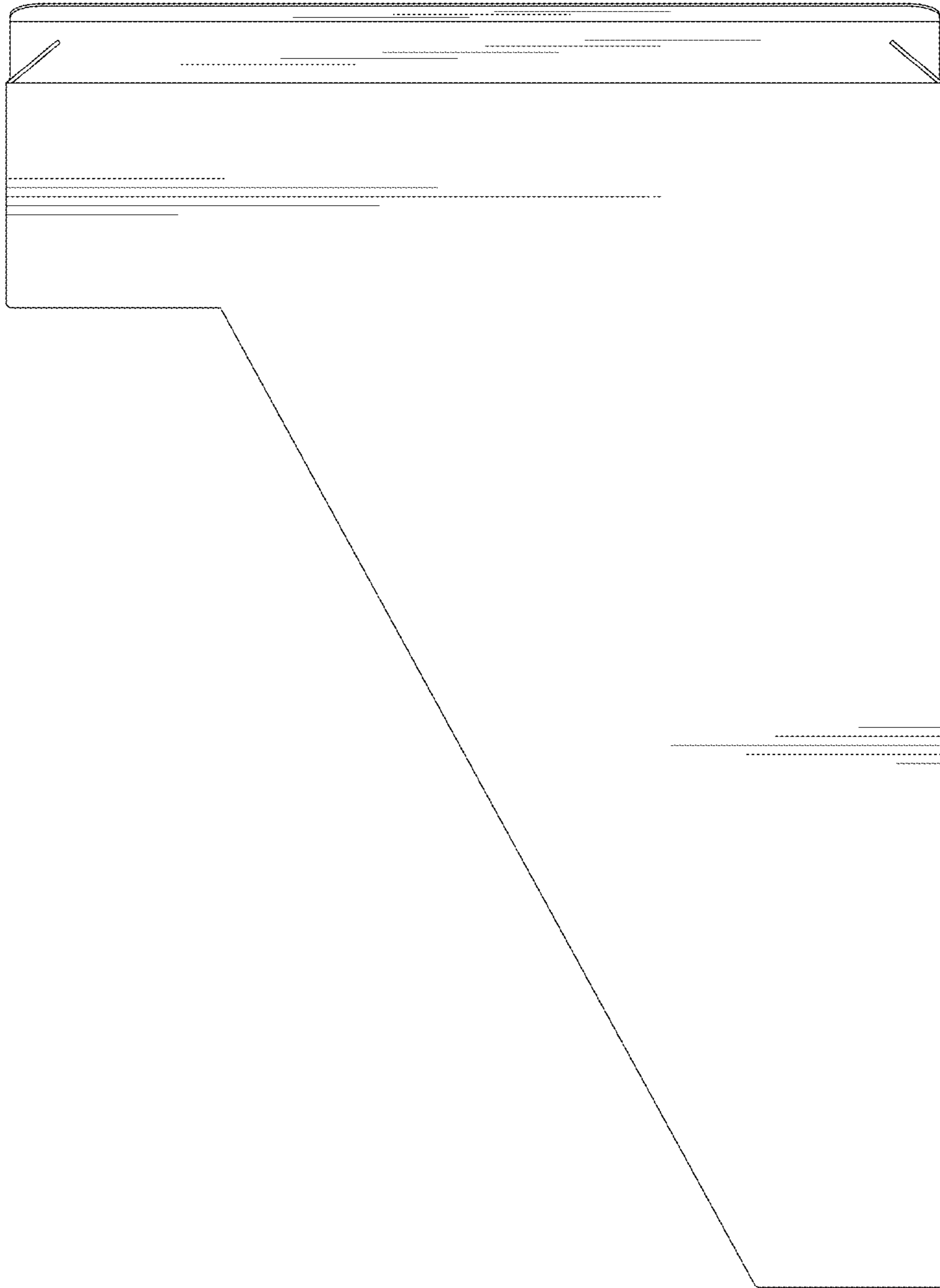


FIG. 3

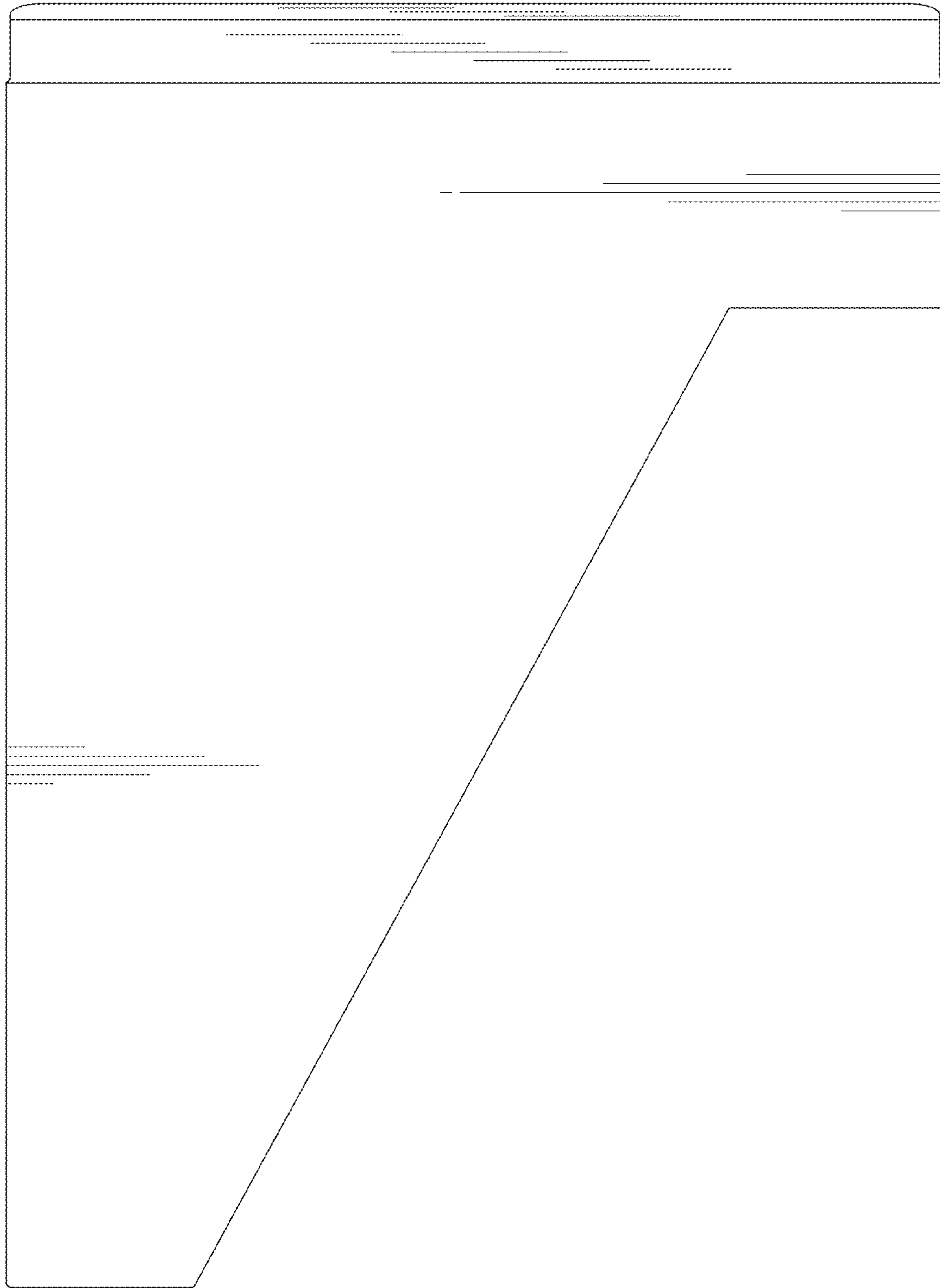


FIG. 4

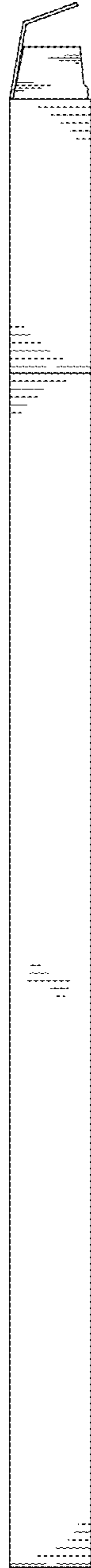


FIG. 5

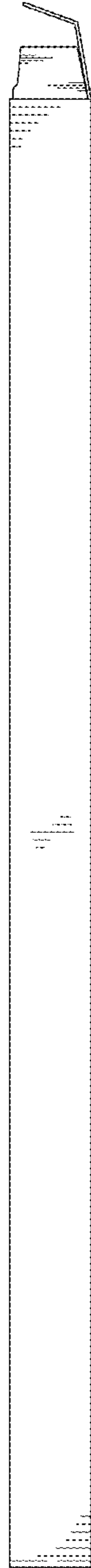


FIG. 6



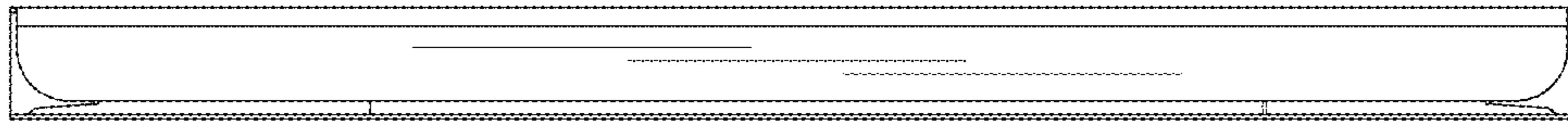


FIG. 7



FIG. 8