

US00D964848S

(12) **United States Design Patent**  
**Sawabe et al.**

(10) **Patent No.:** **US D964,848 S**

(45) **Date of Patent:** **\*\* Sep. 27, 2022**

(54) **MOUNTING BRACKET FOR IMAGE SENSOR**

(71) Applicant: **Mitsubishi Electric Corporation,**  
Tokyo (JP)

(72) Inventors: **Toshiyuki Sawabe,** Tokyo (JP);  
**Kosaku Yamagata,** Tokyo (JP)

(73) Assignee: **Mitsubishi Electric Corporation,**  
Tokyo (JP)

(\*\*) Term: **15 Years**

(21) Appl. No.: **29/810,186**

(22) Filed: **Oct. 1, 2021**

**Related U.S. Application Data**

(62) Division of application No. 29/656,491, filed on Jul. 12, 2018.

(30) **Foreign Application Priority Data**

Mar. 26, 2018 (JP) ..... 2018-006371  
Mar. 26, 2018 (JP) ..... 2018-006372  
Mar. 26, 2018 (JP) ..... 2018-006373

(51) **LOC (13) Cl.** ..... **08-05**

(52) **U.S. Cl.**  
USPC ..... **D8/380**

(58) **Field of Classification Search**  
USPC ..... D25/119; D8/330, 349, 350, 354, 355,  
D8/356, 363, 367, 380, 382, 383  
CPC ..... E05D 15/0669; E05D 15/0691  
See application file for complete search history.

(56) **References Cited**

**U.S. PATENT DOCUMENTS**

D451,786 S \* 12/2001 Wyatt ..... D8/380  
D616,276 S 5/2010 Friegang

D666,894 S 9/2012 Bombino et al.  
D727,716 S 4/2015 Langle  
D735,017 S 7/2015 Langle  
D747,225 S \* 1/2016 Decook ..... D8/381  
D785,626 S \* 5/2017 Fujiuchi ..... D14/453  
D785,627 S \* 5/2017 Fujiuchi ..... D14/420  
D785,628 S \* 5/2017 Fujiuchi ..... D14/453

(Continued)

*Primary Examiner* — Keli L Hill

*Assistant Examiner* — Harold E Blackwell, II

(74) *Attorney, Agent, or Firm* — Studebaker & Brackett  
PC

(57) **CLAIM**

The ornamental design for a mounting bracket for image sensor, as shown and described.

**DESCRIPTION**

FIG. 1 is a top, front, and right side perspective view of a mounting bracket for image sensor showing our new design; FIG. 2 is a bottom, rear, and left side perspective view thereof;

FIG. 3 is a front view thereof;

FIG. 4 is a left side view thereof;

FIG. 5 is a right side view thereof;

FIG. 6 is a top view thereof;

FIG. 7 is a bottom view thereof;

FIG. 8 is another bottom view thereof, showing the plane from which FIG. 9 cross-section is taken;

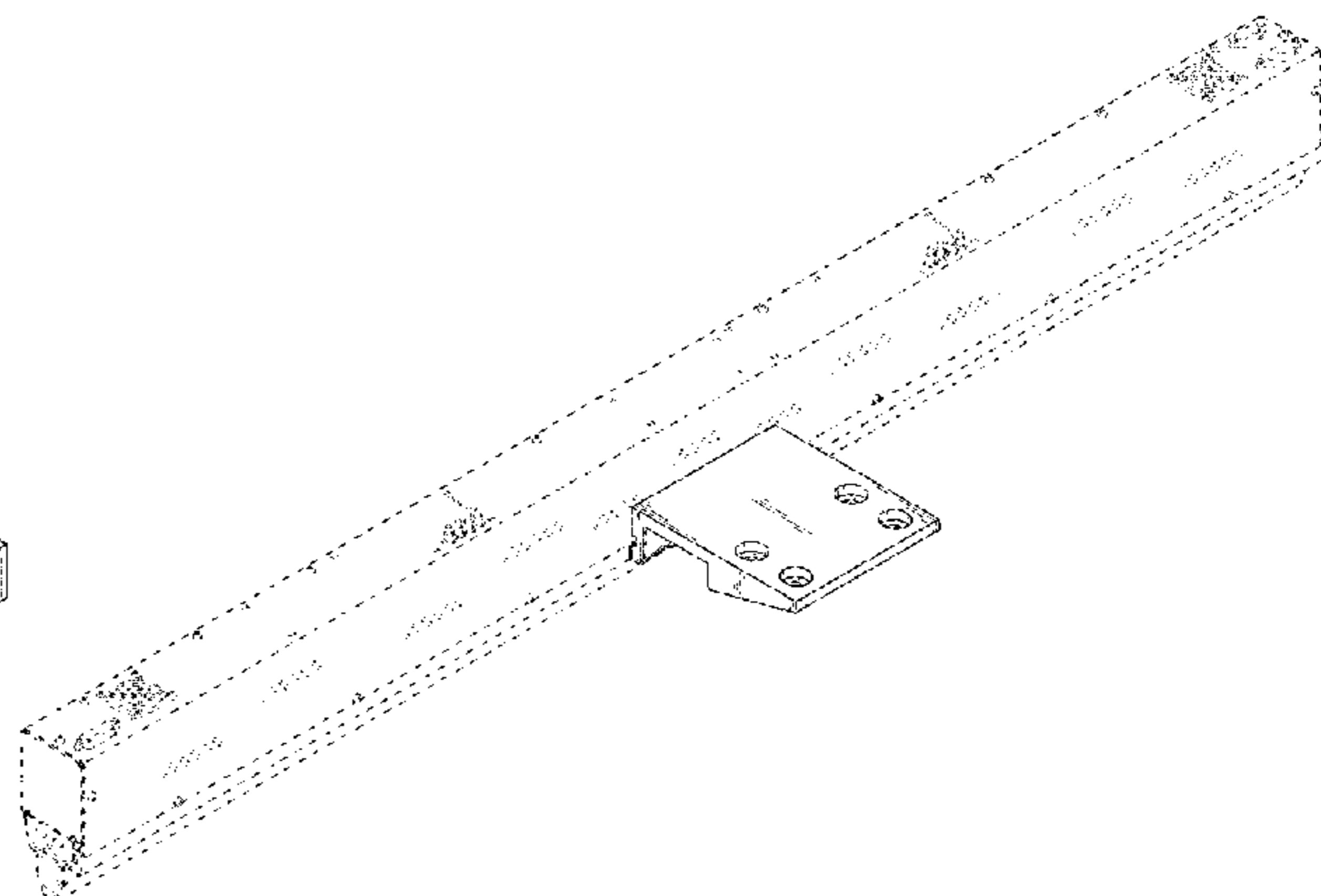
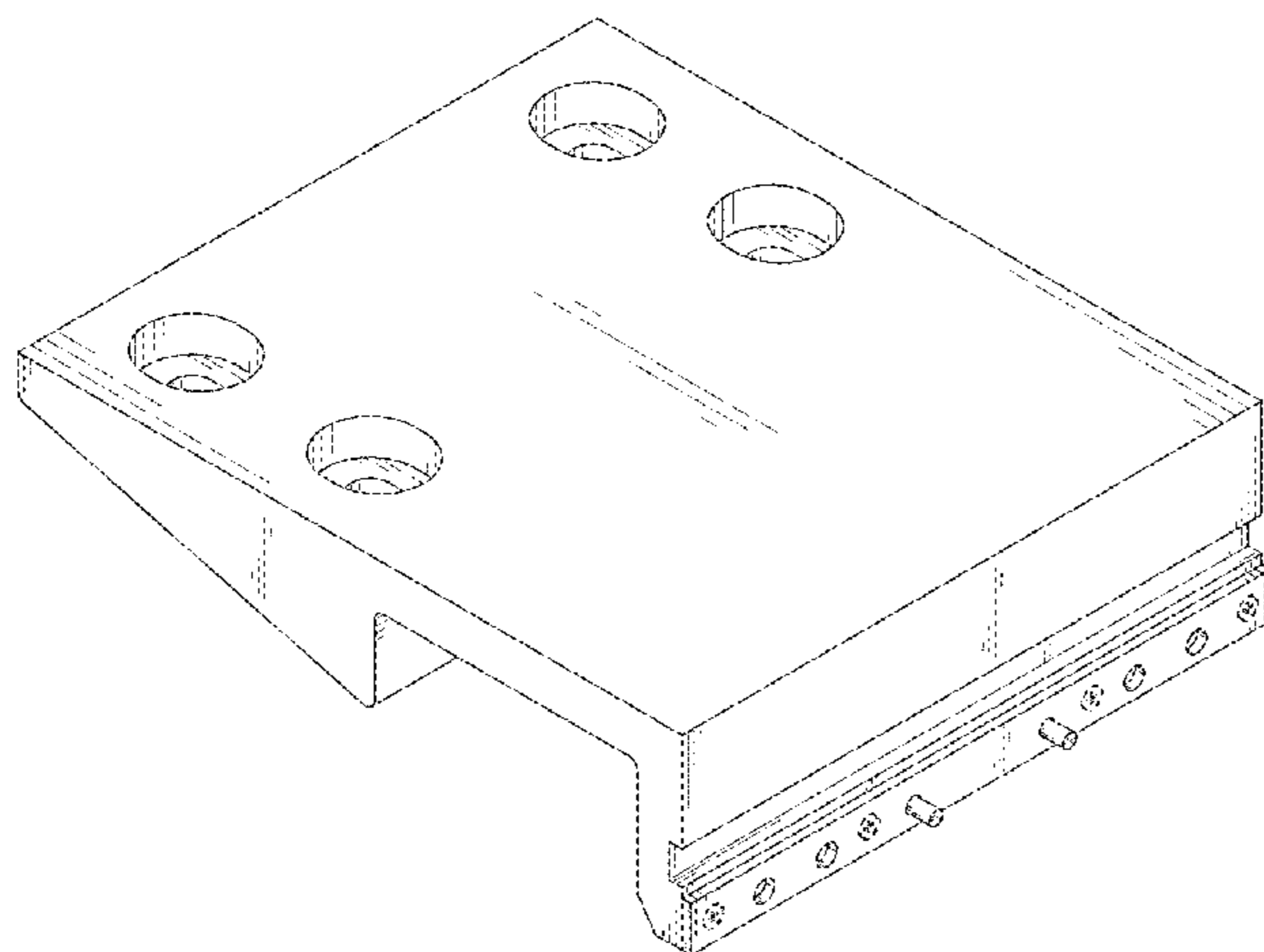
FIG. 9 is a sectional view taken along combined line A-B-C-D of FIG. 8; and,

FIG. 10 is an alternate perspective view thereof, shown in use.

The rear view is omitted because the rear view is symmetrical to the front view.

The broken line showing of the bar in FIG. 10 is included for the purpose of illustrating environment of the article; all other broken lines illustrate portions of the mounting bracket for image sensor which form no part of the claimed design.

**1 Claim, 10 Drawing Sheets**



(56)

**References Cited**

U.S. PATENT DOCUMENTS

D785,629	S *	5/2017	Fujiuchi .....	D14/453
D817,151	S	5/2018	Jensen	
D824,754	S	8/2018	Minkovich et al.	
D833,263	S	11/2018	Minkovich et al.	
D858,256	S *	9/2019	Smith .....	D8/354
D885,389	S	5/2020	Sawabe et al.	
D899,432	S *	10/2020	Sawabe .....	D14/453
D931,087	S *	9/2021	Yu .....	D8/363
D932,880	S *	10/2021	Trammell .....	D8/373
2010/0083588	A1 *	4/2010	Hockman .....	E04D 13/10 52/173.3
2016/0261763	A1 *	9/2016	Fujiuchi .....	H04N 1/02865
2018/0002958	A1 *	1/2018	Mironchuk .....	E05D 7/081
2018/0020882	A1 *	1/2018	Minkovich .....	E05D 15/0656 4/607
2018/0030747	A1 *	2/2018	Ferris .....	E06B 1/70
2018/0249035	A1 *	8/2018	Fujiuchi .....	H04N 1/00795
2020/0374412	A1	11/2020	Sawabe et al.	

\* cited by examiner

Fig. 1

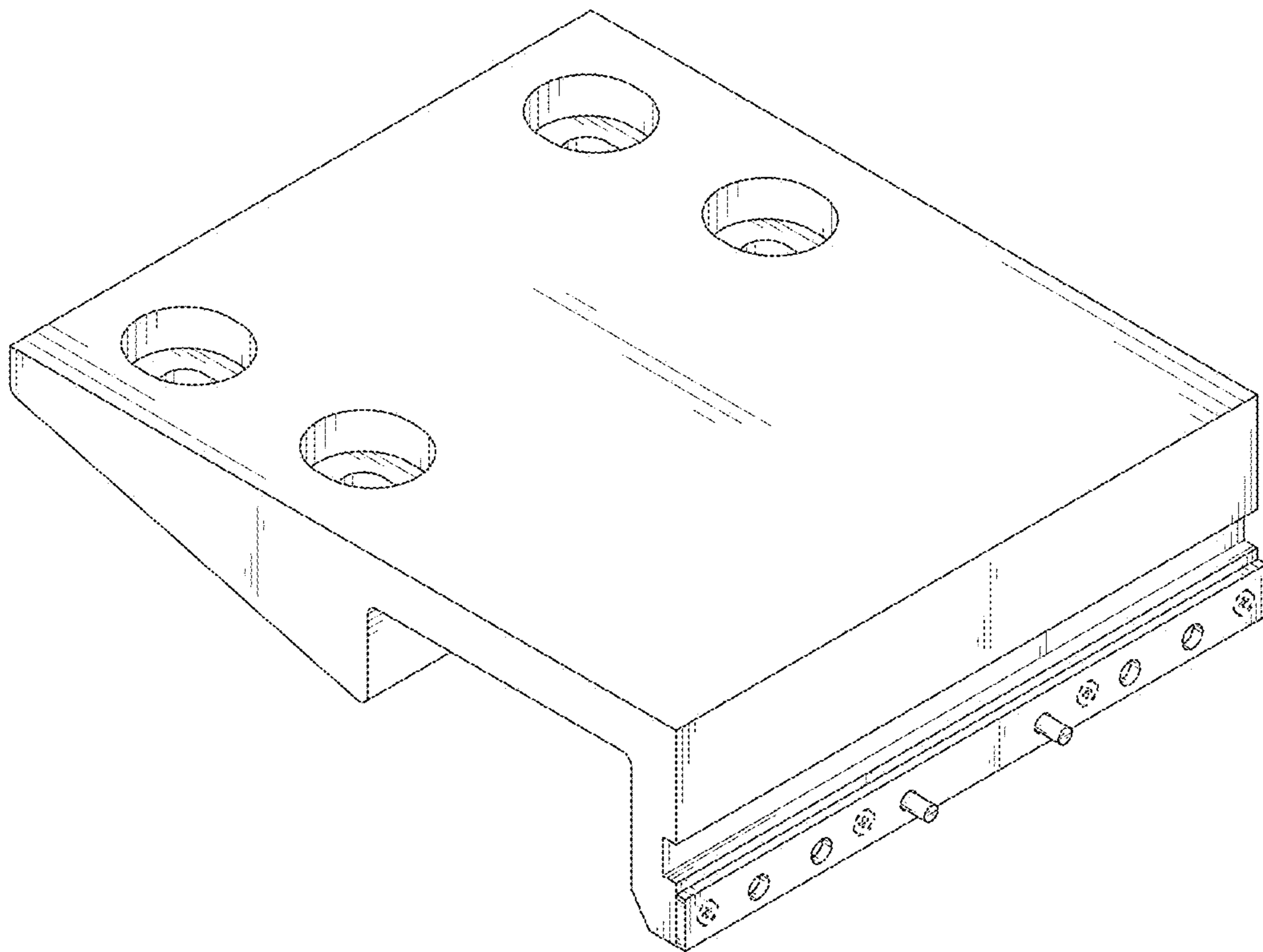


Fig.2

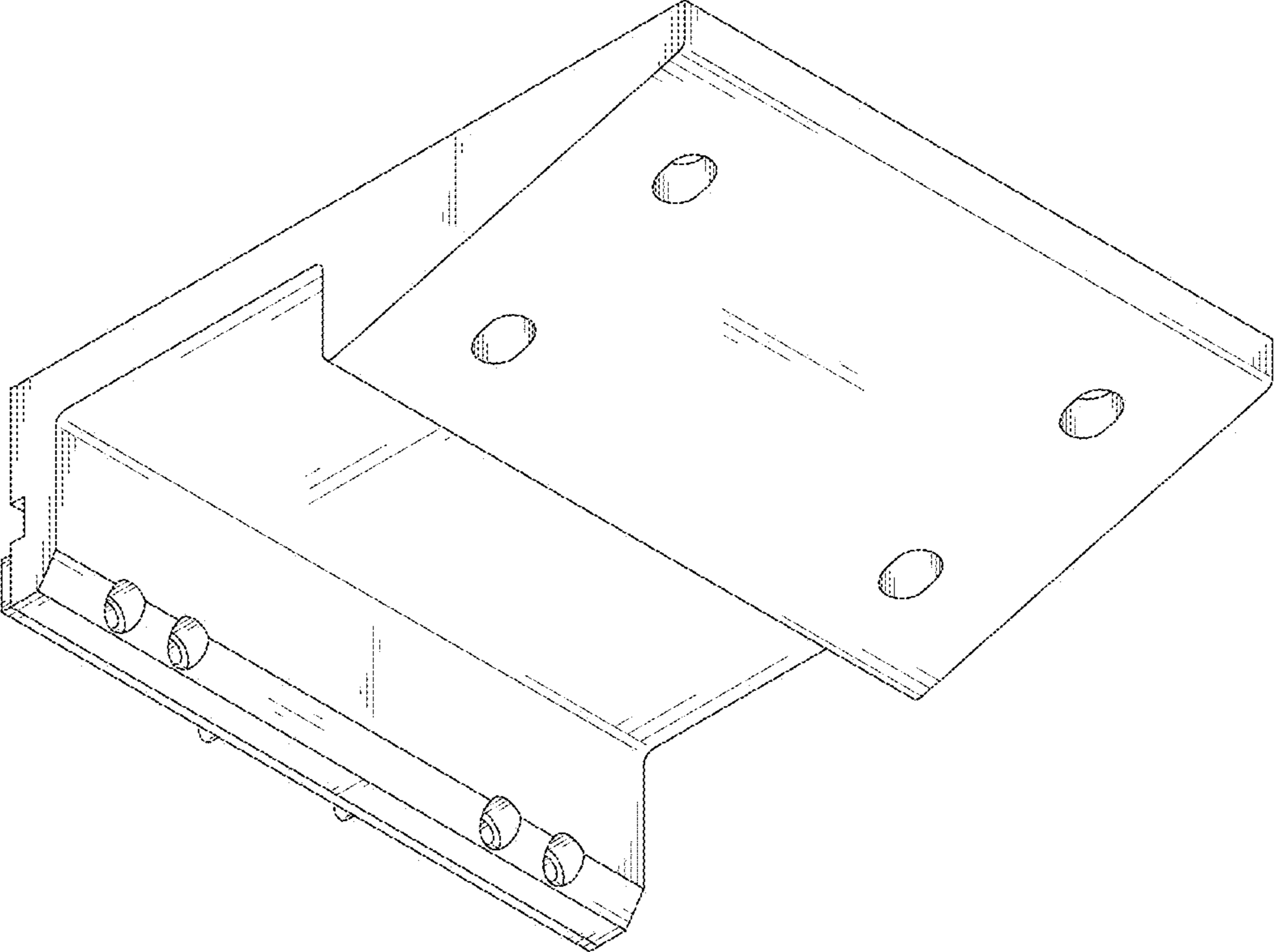


Fig.3

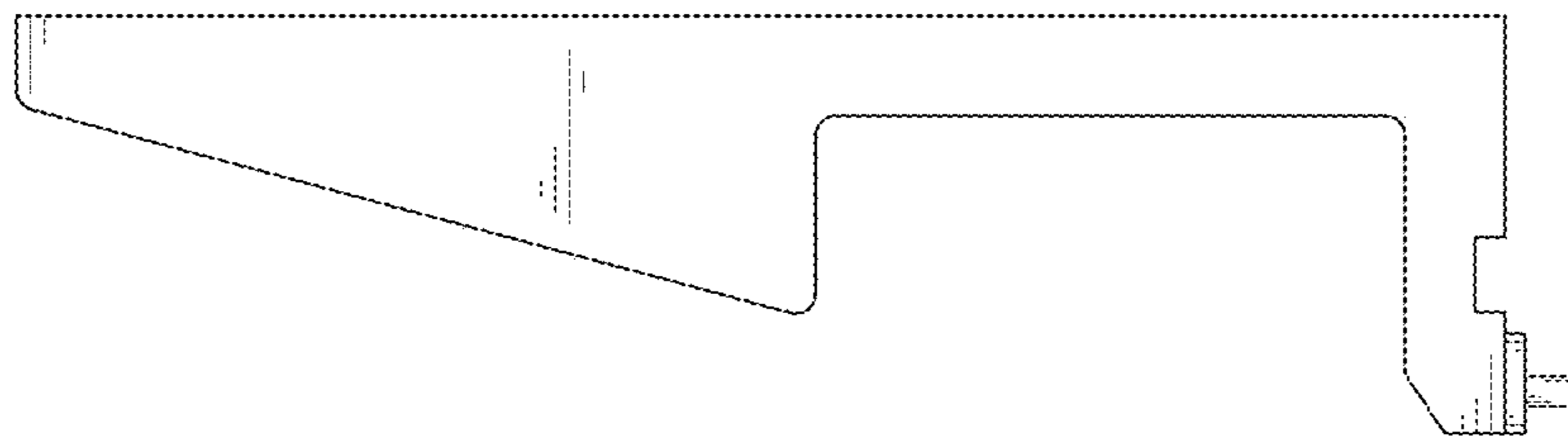


Fig.4

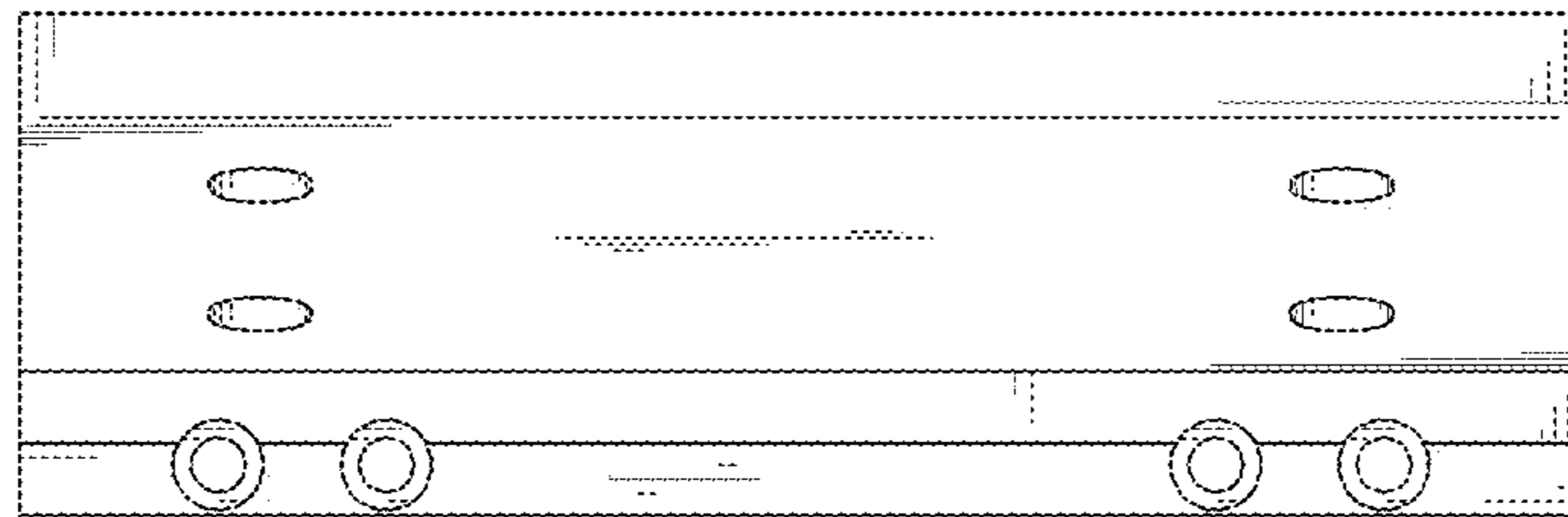


Fig.5

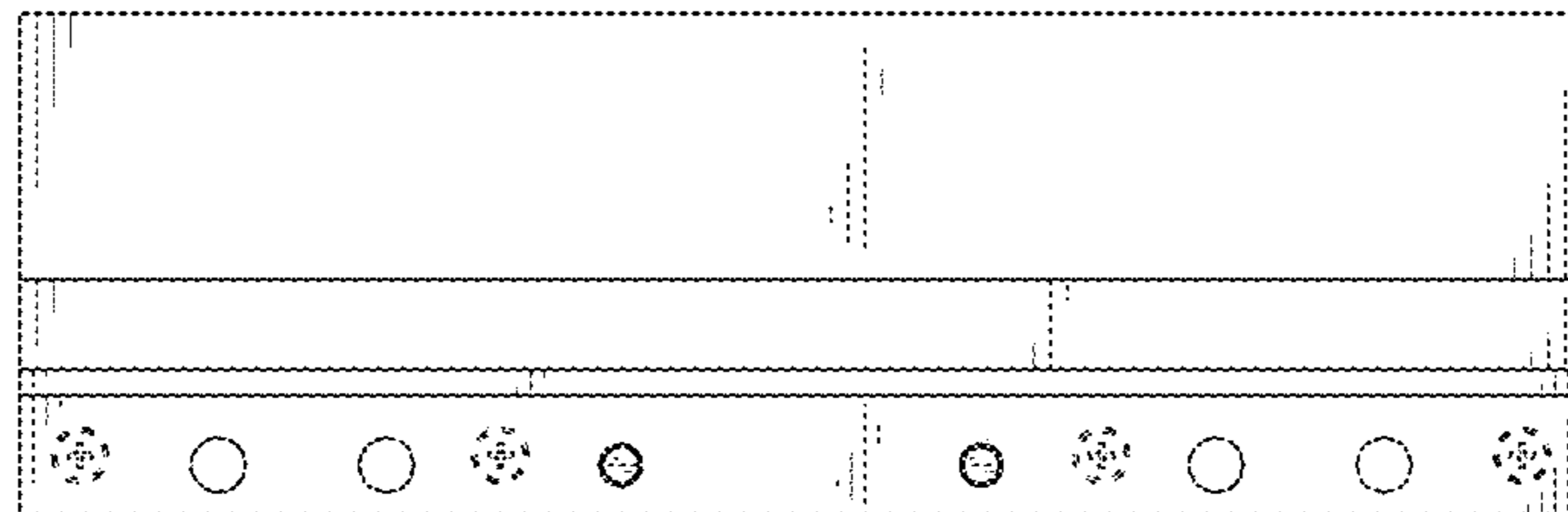


Fig.6

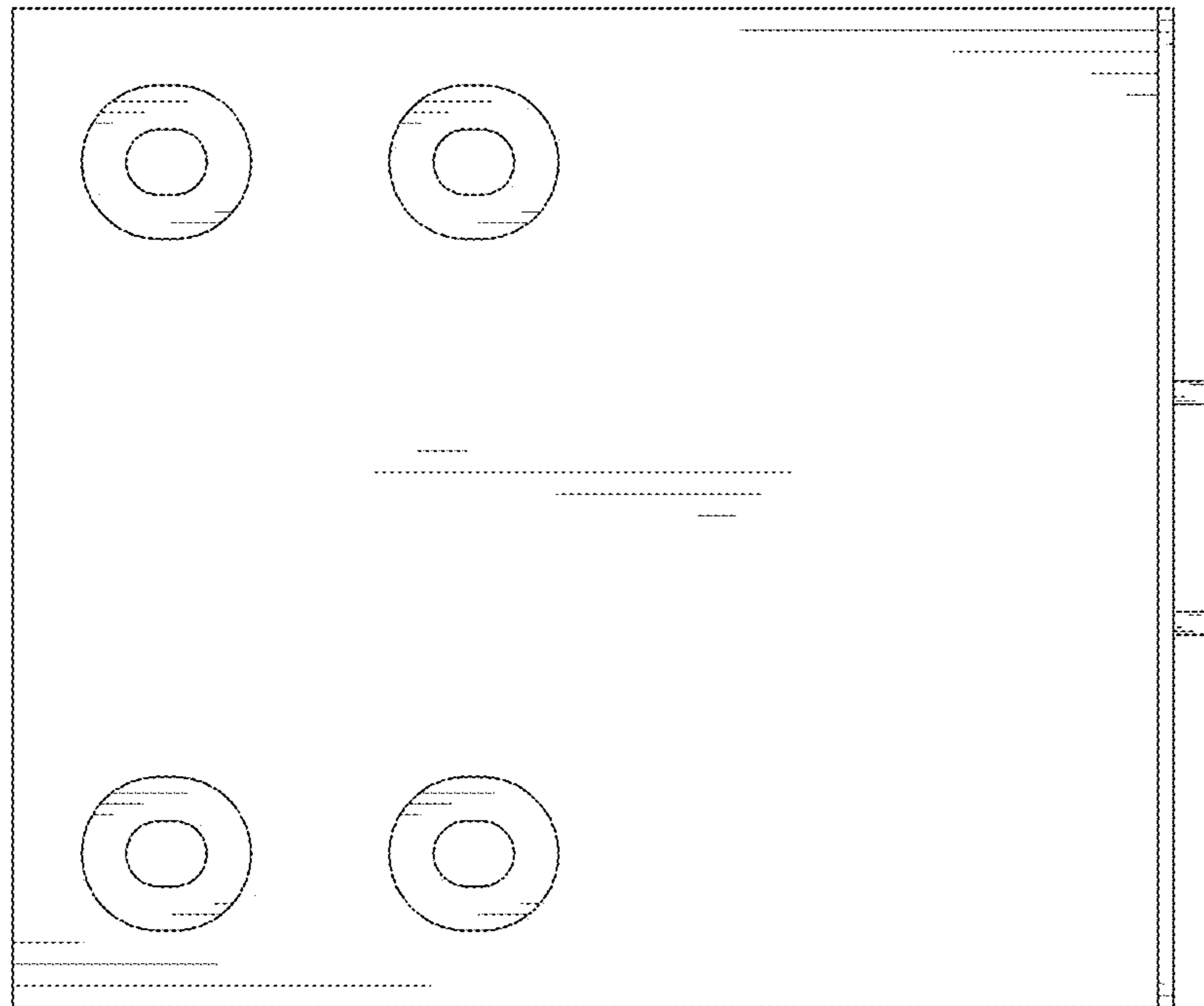




Fig.7

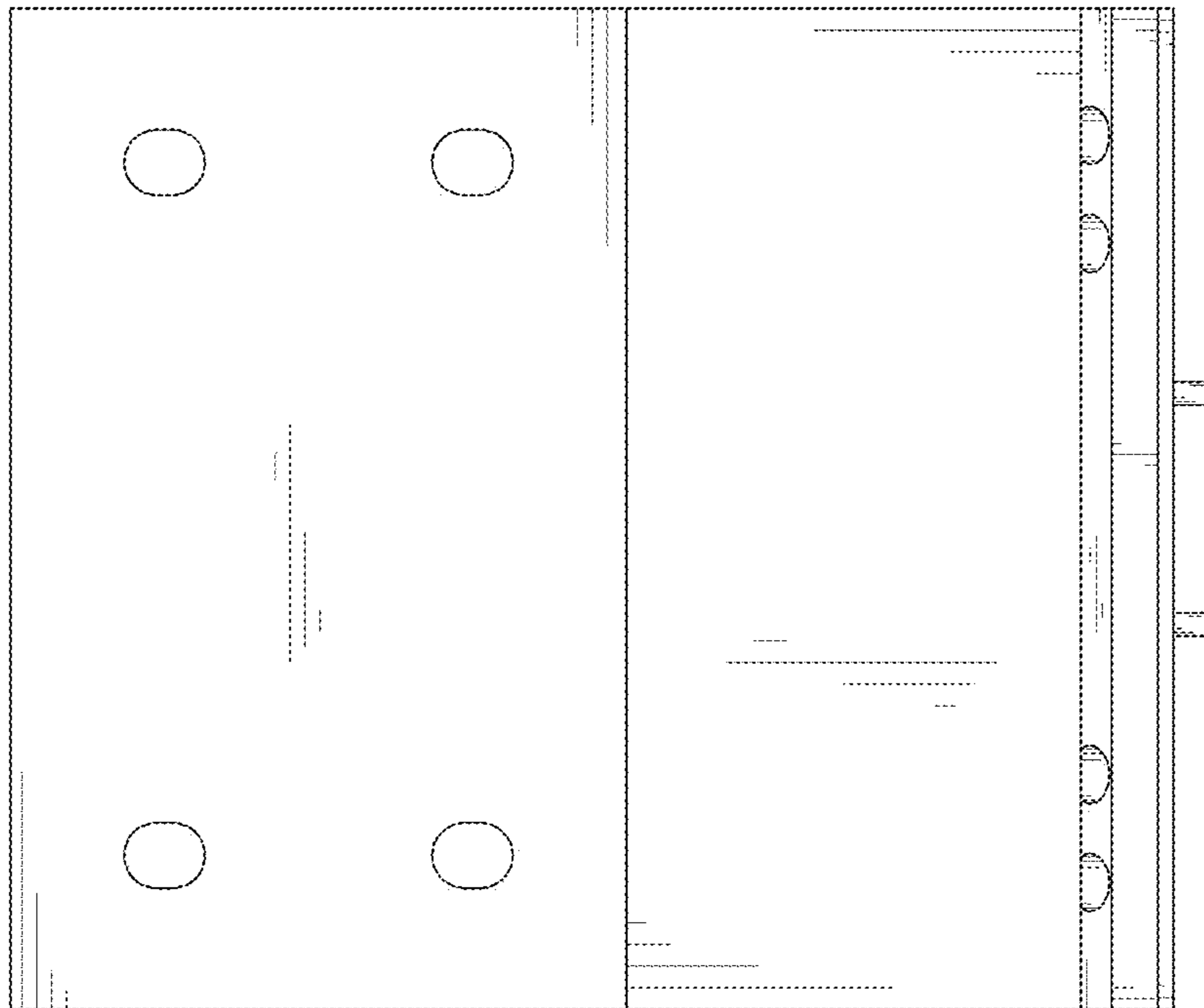


Fig.8

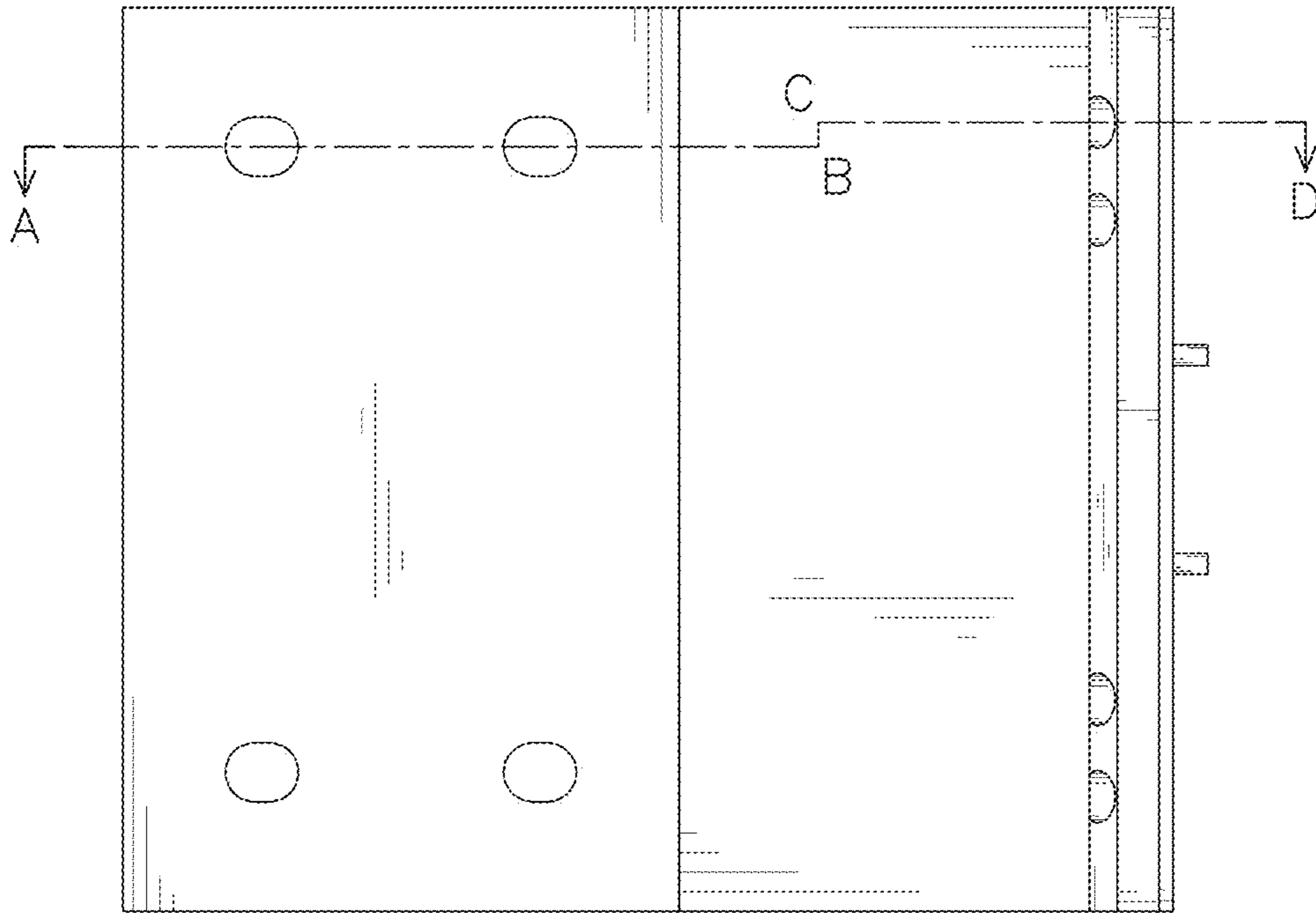


Fig.9

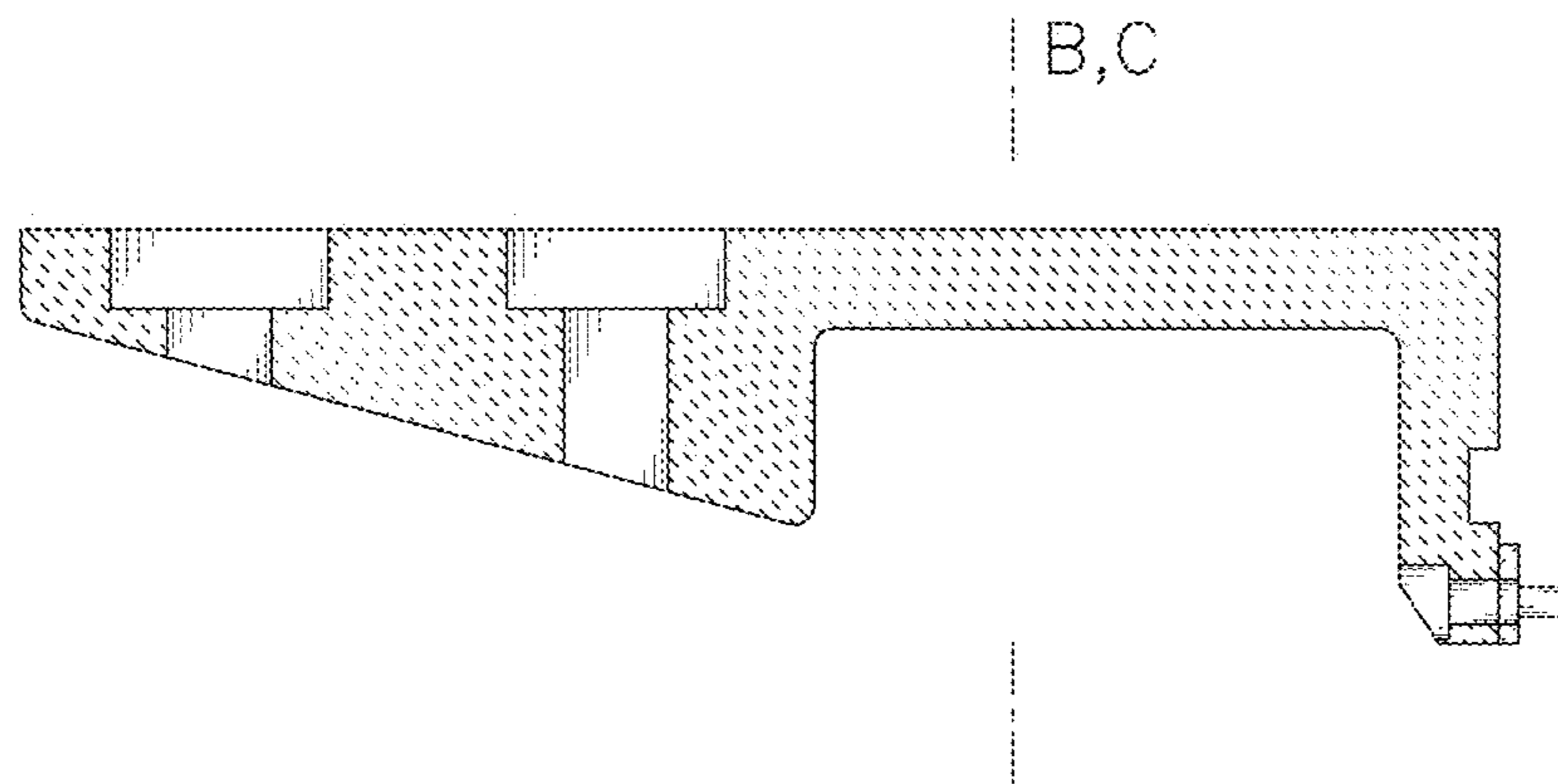


Fig.10

