

US00D964847S

(12) **United States Design Patent**
Sawabe et al.

(10) **Patent No.:** **US D964,847 S**

(45) **Date of Patent:** **** Sep. 27, 2022**

(54) **MOUNTING BRACKET FOR IMAGE SENSOR**

(71) Applicant: **Mitsubishi Electric Corporation,**
Tokyo (JP)

(72) Inventors: **Toshiyuki Sawabe,** Tokyo (JP);
Kosaku Yamagata, Tokyo (JP)

(73) Assignee: **Mitsubishi Electric Corporation,**
Tokyo (JP)

(**) Term: **15 Years**

(21) Appl. No.: **29/810,174**

(22) Filed: **Oct. 1, 2021**

Related U.S. Application Data

(62) Division of application No. 29/656,491, filed on Jul. 12, 2018.

(30) **Foreign Application Priority Data**

Mar. 26, 2018 (JP) 2018-006371
Mar. 26, 2018 (JP) 2018-006372
Mar. 26, 2018 (JP) 2018-006373

(51) **LOC (13) Cl.** **08-05**

(52) **U.S. Cl.**
USPC **D8/380**

(58) **Field of Classification Search**
USPC D25/119; D8/330, 349, 350, 354, 355,
D8/356, 363, 367, 380, 382, 383
CPC E05D 15/0669; E05D 15/0691
See application file for complete search history.

(56) **References Cited**

U.S. PATENT DOCUMENTS

D451,786 S * 12/2001 Wyatt D8/380
D616,276 S 5/2010 Friegang

D666,894 S 9/2012 Bombino et al.
D727,716 S 4/2015 Langle
D735,017 S 7/2015 Langle
D747,225 S * 1/2016 Decook D8/381
D785,626 S * 5/2017 Fujiuchi D14/453
D785,627 S * 5/2017 Fujiuchi D14/420
D785,628 S * 5/2017 Fujiuchi D14/453

(Continued)

Primary Examiner — Keli L Hill

Assistant Examiner — Harold E Blackwell, II

(74) *Attorney, Agent, or Firm* — Studebaker & Brackett
PC

(57) **CLAIM**

The ornamental design for a mounting bracket for image sensor, as shown and described.

DESCRIPTION

FIG. 1 is a top, front, and right side perspective view of a mounting bracket for image sensor showing our new design; FIG. 2 is a bottom, rear, and left side perspective view thereof;

FIG. 3 is a front view thereof;

FIG. 4 is a left side view thereof;

FIG. 5 is a right side view thereof;

FIG. 6 is a top view thereof;

FIG. 7 is a bottom view thereof;

FIG. 8 is another bottom view thereof, showing the plane from which FIG. 9 cross-section is taken;

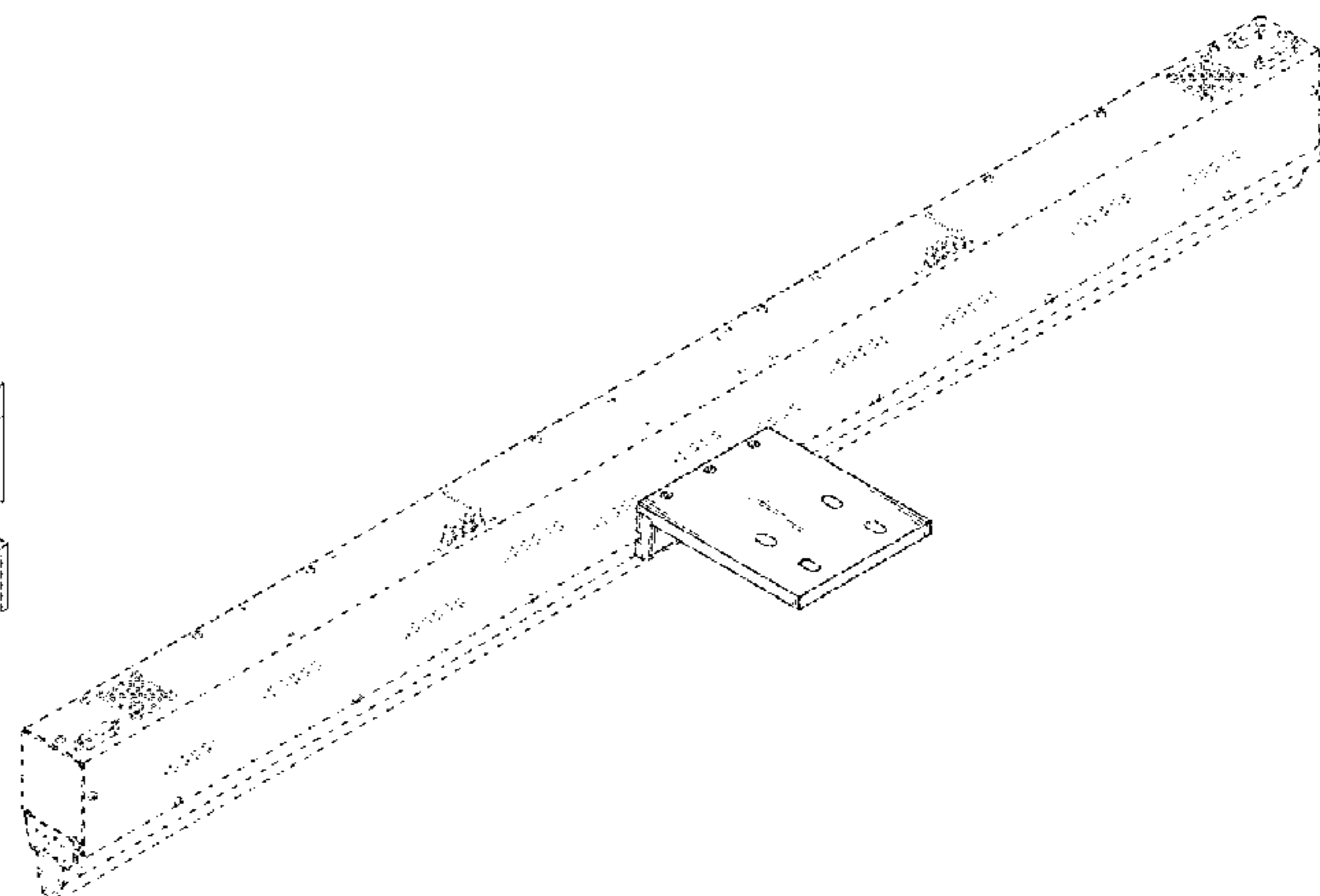
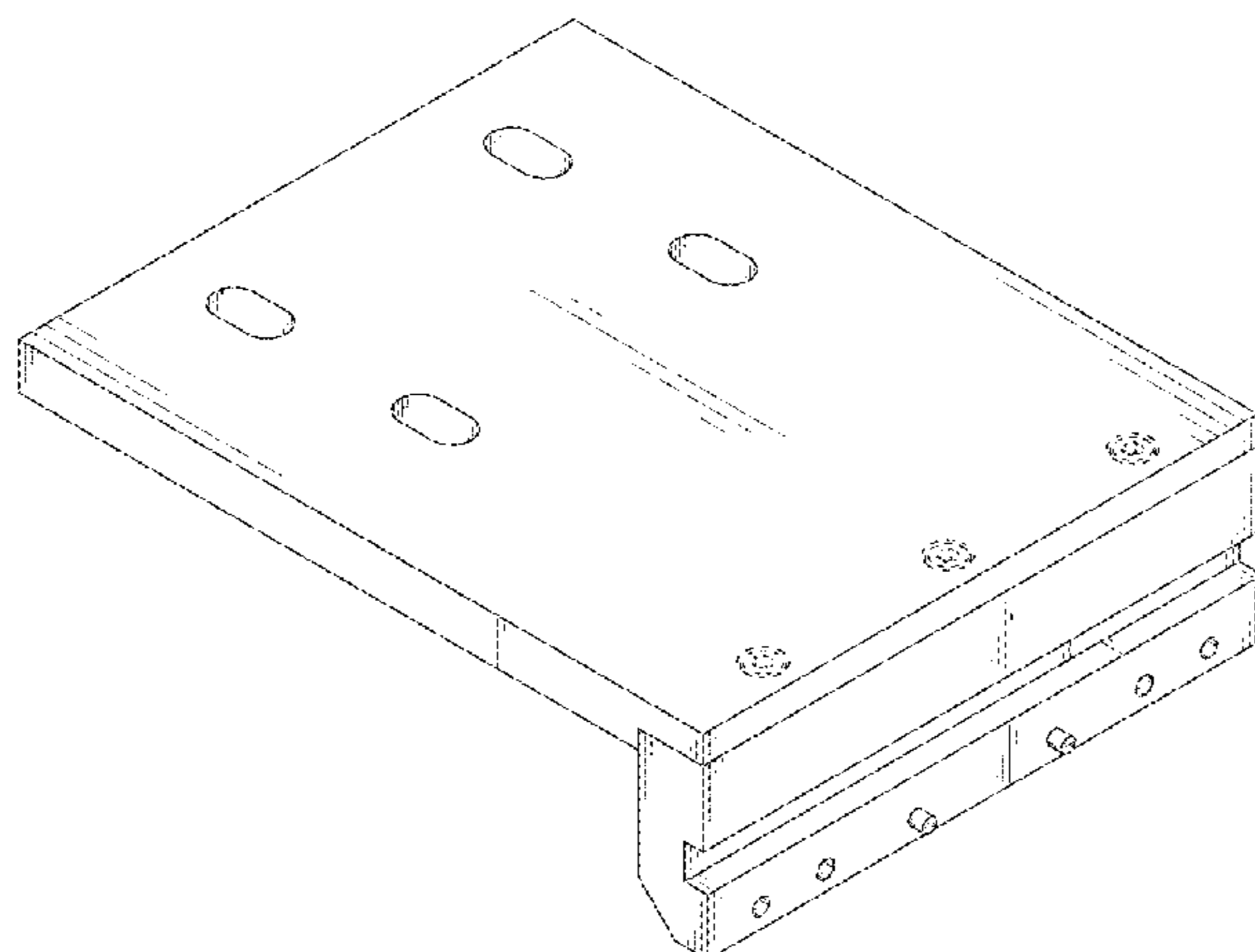
FIG. 9 is a sectional view taken along combined line A-B-C-D of FIG. 8; and,

FIG. 10 is an alternate perspective view thereof, shown in use.

The rear view is omitted because the rear view is symmetrical to the front view.

The broken line showing of the bar in FIG. 10 is included for the purpose of illustrating environment of the article; all other broken lines illustrate portions of the mounting bracket for image sensor which form no part of the claimed design.

1 Claim, 10 Drawing Sheets



(56)

References Cited

U.S. PATENT DOCUMENTS

D785,629 S * 5/2017 Fujiuchi D14/453
D817,151 S 5/2018 Jensen
D824,754 S 8/2018 Minkovich et al.
D833,263 S 11/2018 Minkovich et al.
D858,256 S * 9/2019 Smith D8/354
D885,389 S 5/2020 Sawabe et al.
D899,432 S * 10/2020 Sawabe D14/453
D931,087 S * 9/2021 Yu D8/363
D932,880 S * 10/2021 Trammell D8/373
2010/0083588 A1 * 4/2010 Hockman E04D 13/10
52/173.3
2016/0261763 A1 * 9/2016 Fujiuchi H04N 1/02865
2018/0002958 A1 * 1/2018 Mironchuk E05D 7/081
2018/0020882 A1 * 1/2018 Minkovich E05D 15/0656
4/607
2018/0030747 A1 * 2/2018 Ferris E06B 1/70
2018/0249035 A1 * 8/2018 Fujiuchi H04N 1/00795
2020/0374412 A1 11/2020 Sawabe et al.

* cited by examiner

Fig.1

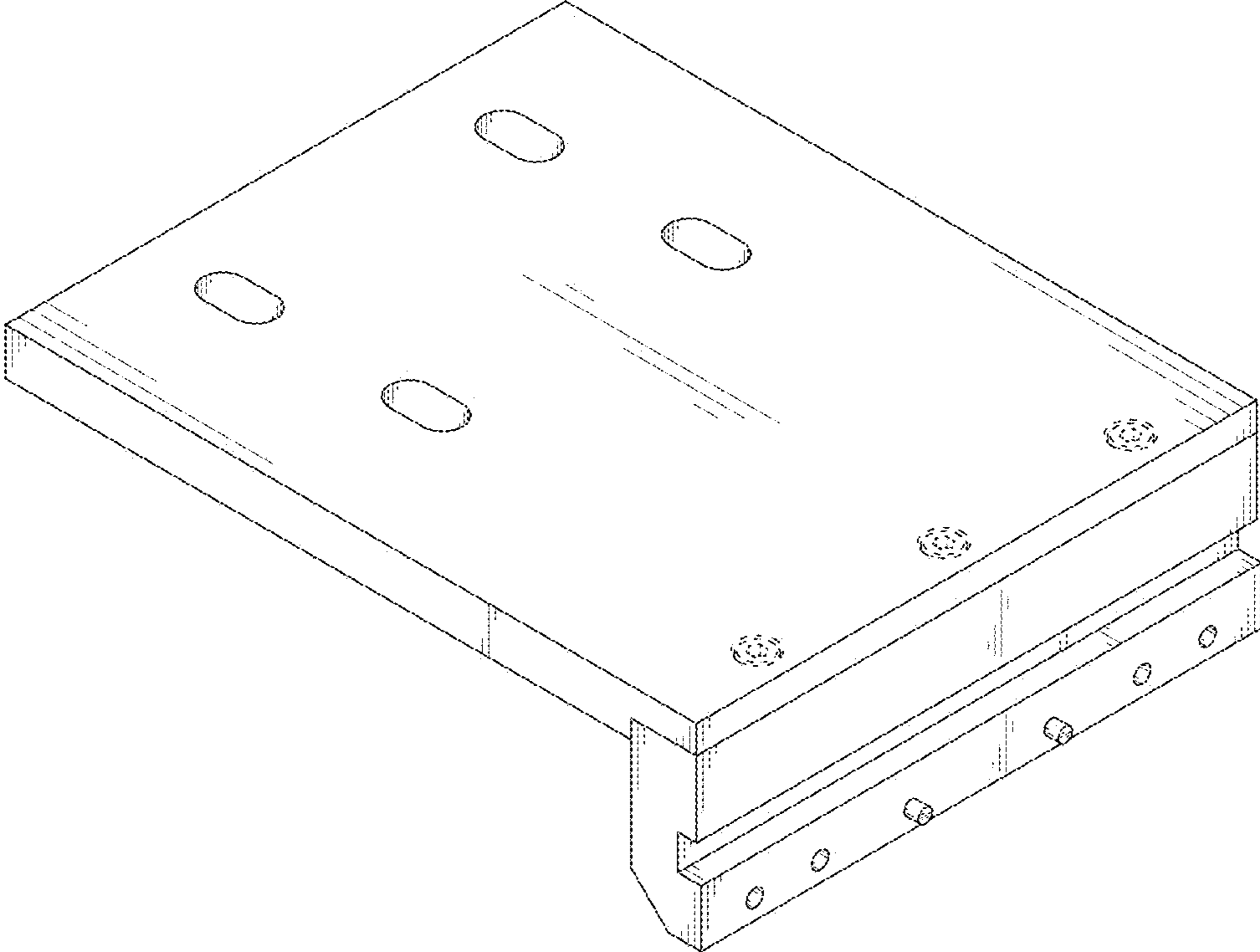


Fig.2

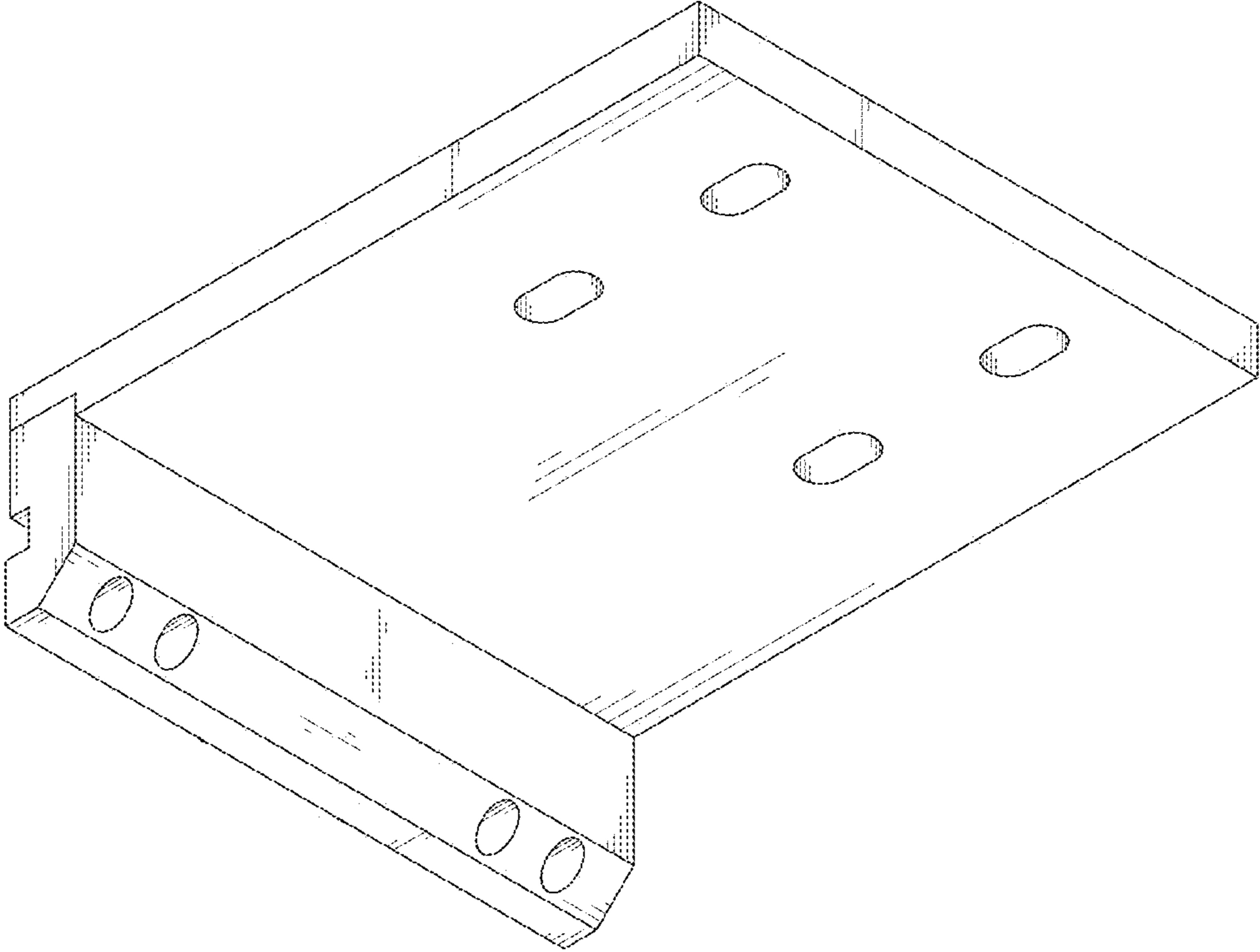


Fig.3

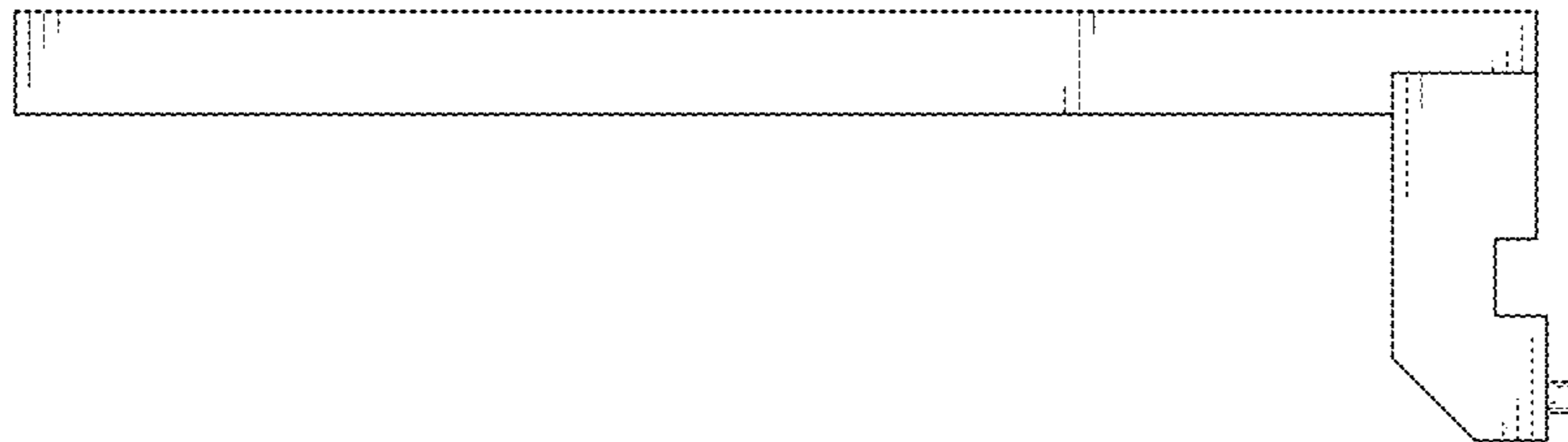


Fig.4

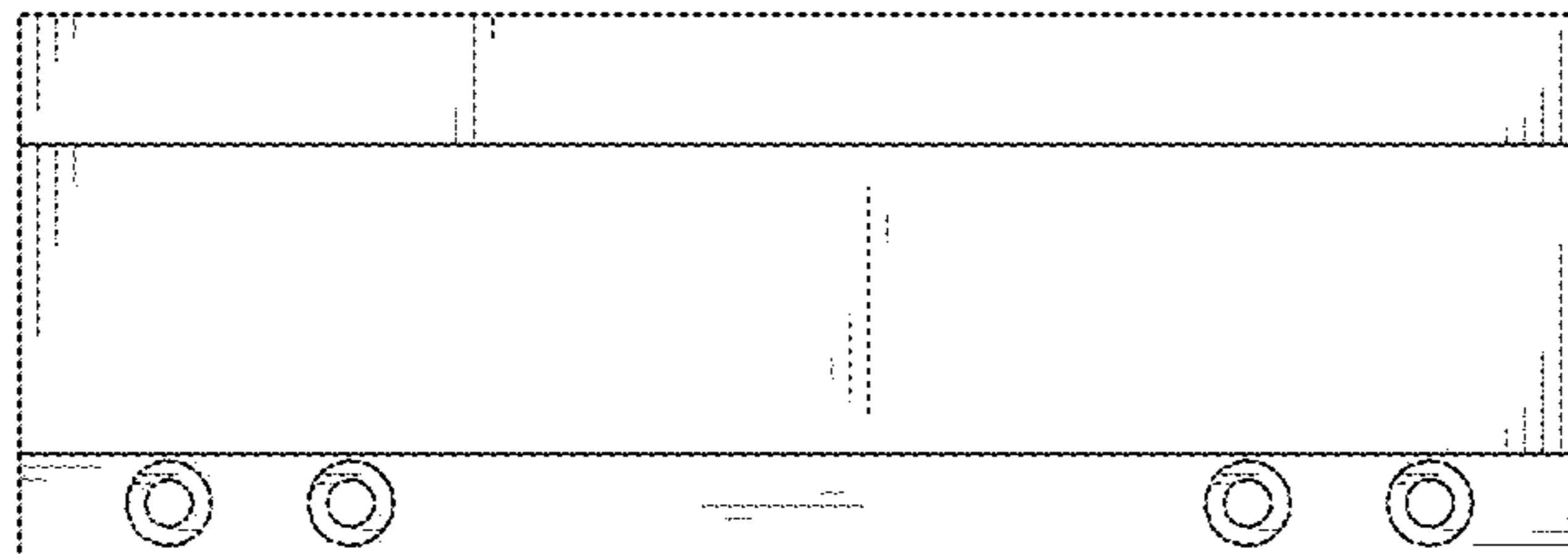


Fig.5

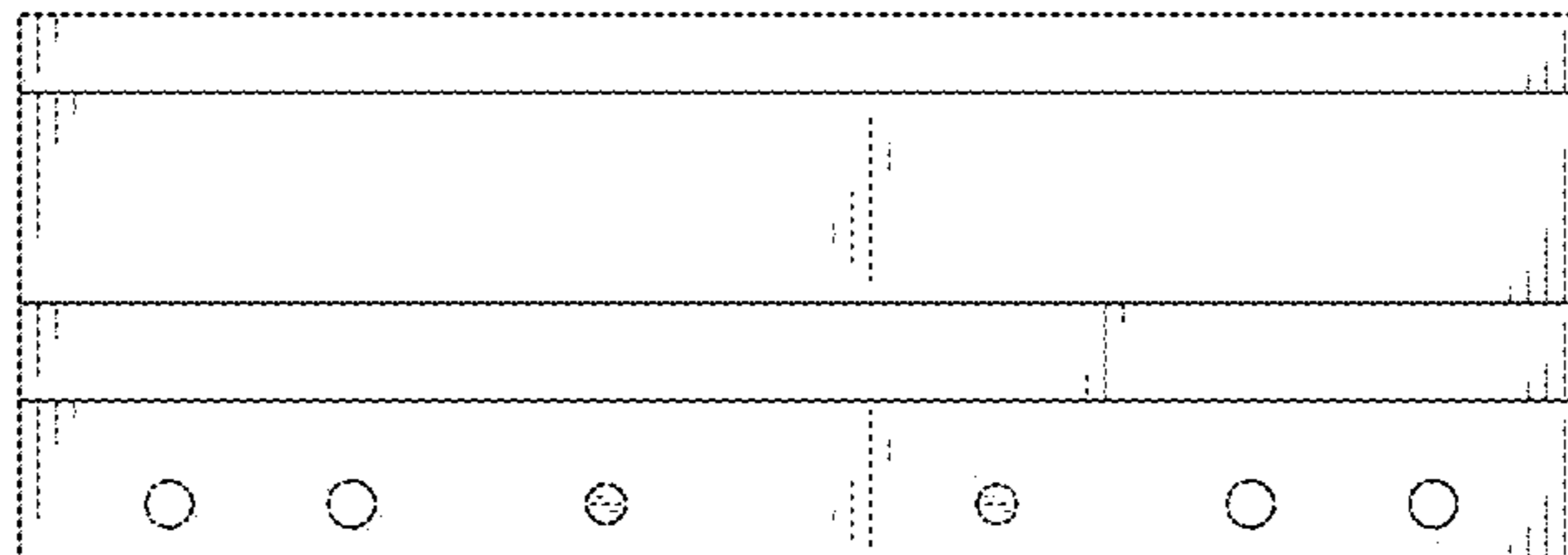


Fig.6

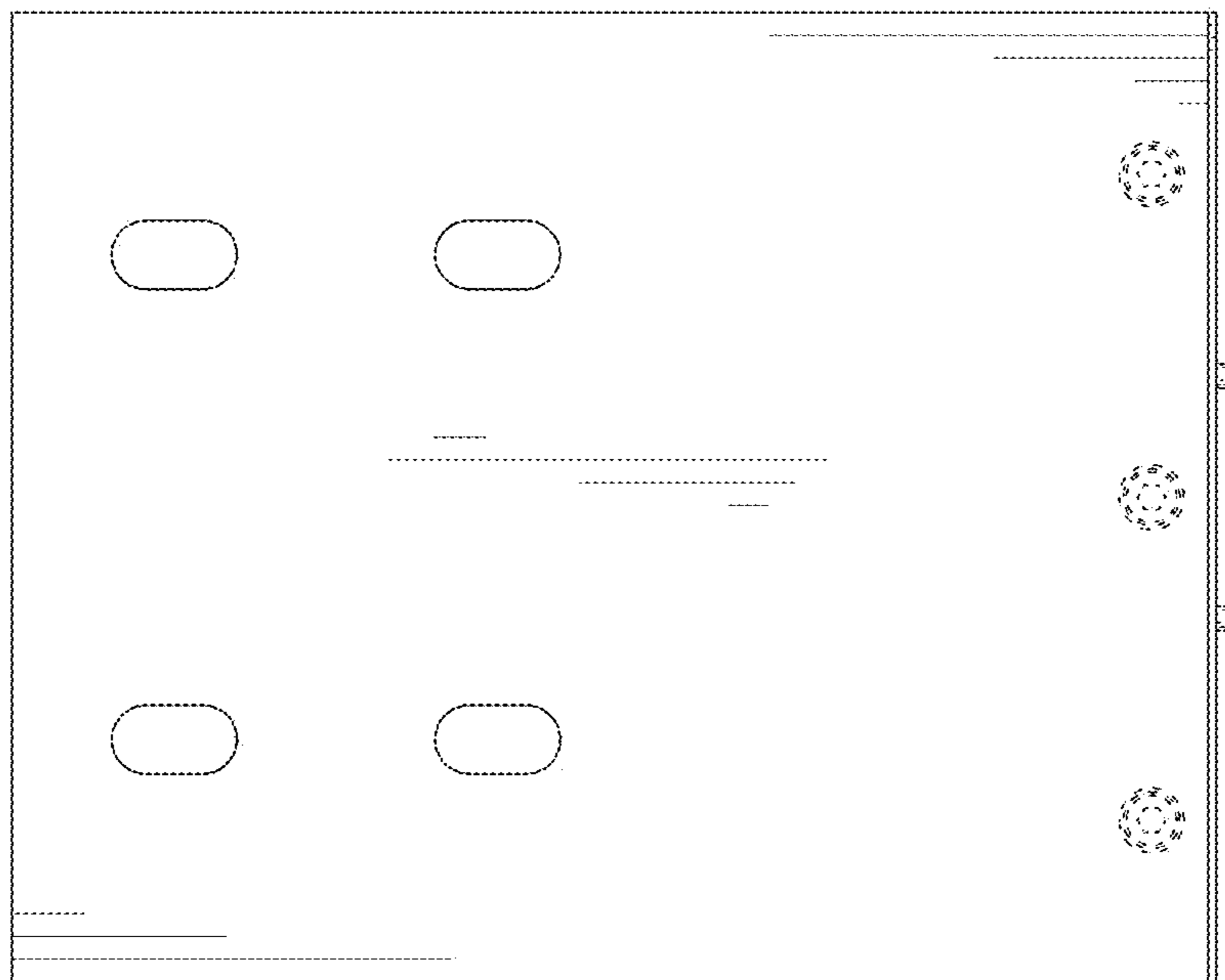


Fig.7

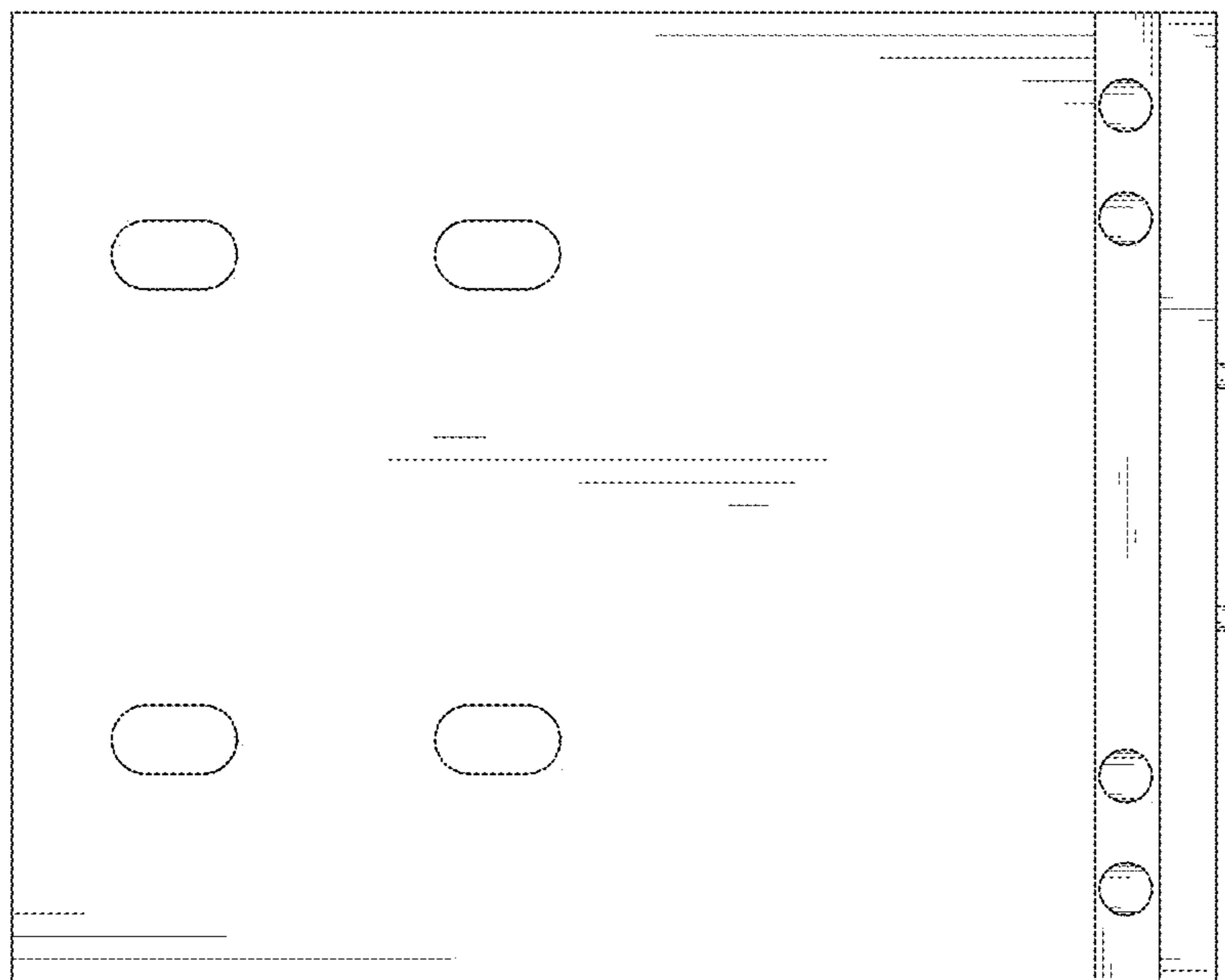


Fig.8

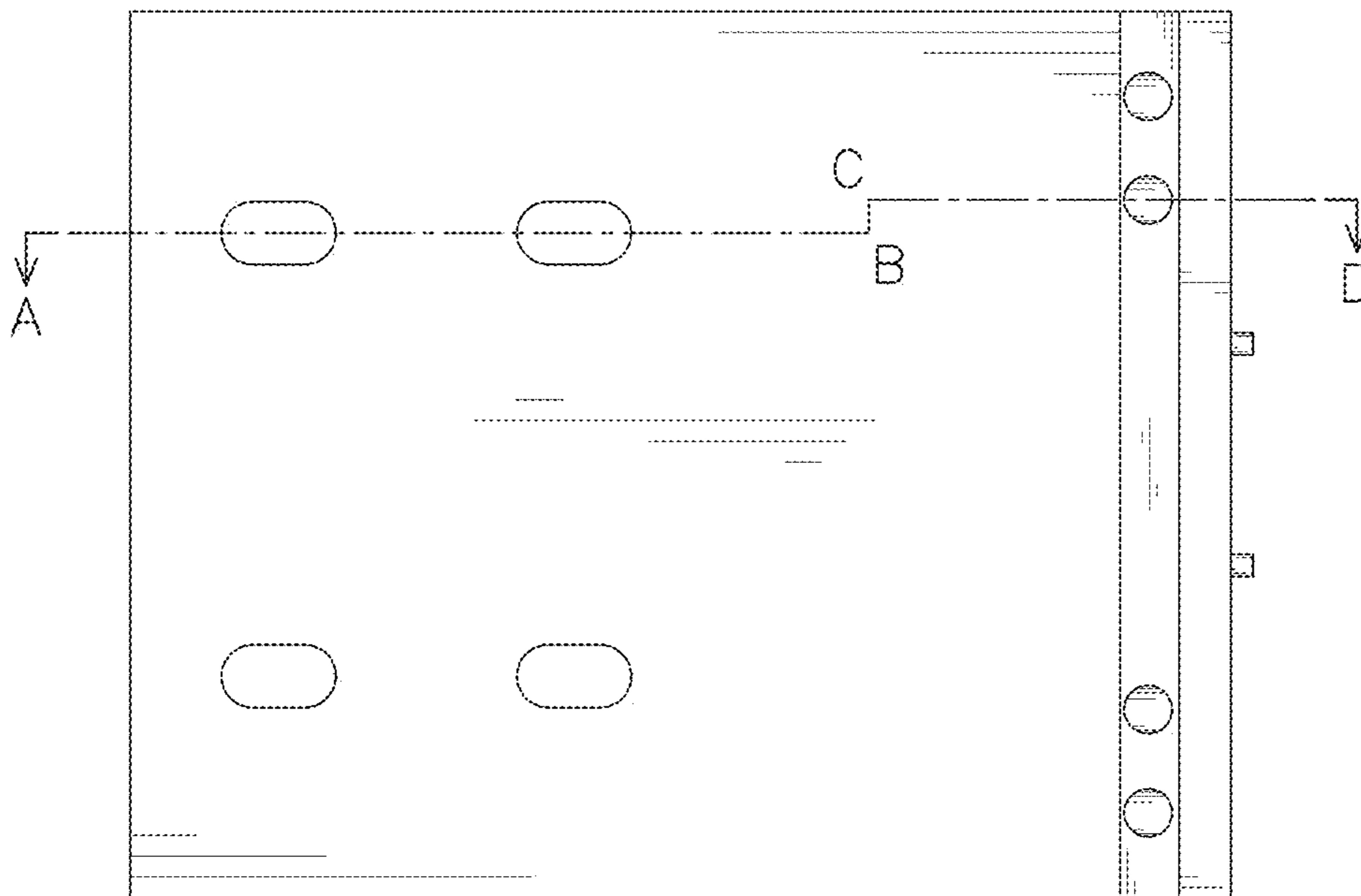


Fig.9

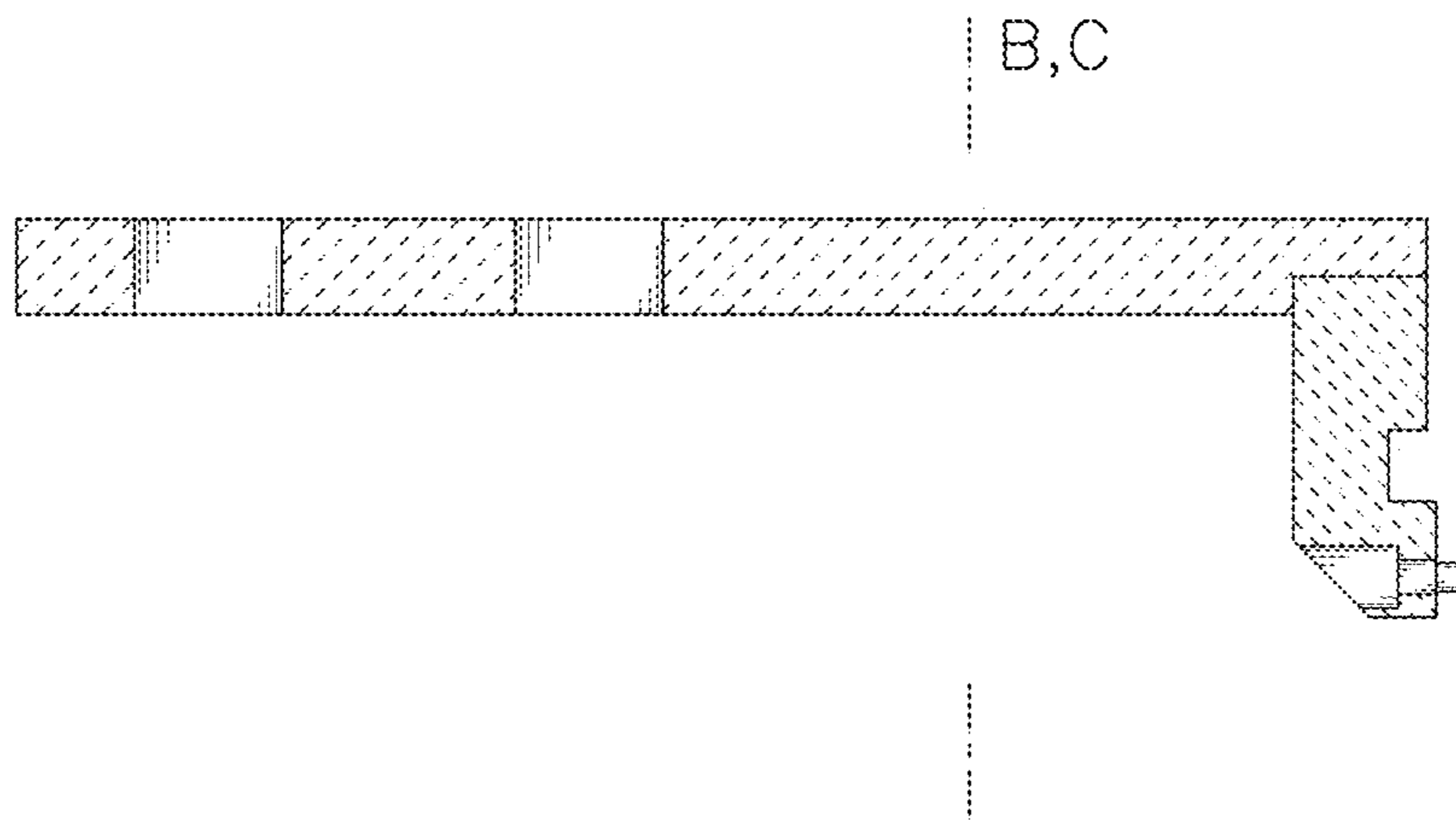


Fig.10

