

US00D964845S

(12) **United States Design Patent**  
**Chen**

(10) **Patent No.:** **US D964,845 S**  
(45) **Date of Patent:** **\*\* Sep. 27, 2022**

- (54) **WINDOW TIE DOWN HOOK**
- (71) Applicant: **HUBEI DADA LELE TECHNOLOGY CO., LTD.**, Hubei (CN)
- (72) Inventor: **Airong Chen**, Hubei (CN)
- (73) Assignee: **HUBEI DADA LELE TECHNOLOGY CO., LTD.**, Hubei (CN)
- (\*\*) Term: **15 Years**
- (21) Appl. No.: **29/801,575**
- (22) Filed: **Jul. 29, 2021**
- (51) **LOC (13) Cl.** ..... **08-11**
- (52) **U.S. Cl.**  
USPC ..... **D8/367**
- (58) **Field of Classification Search**  
USPC ..... D8/367, 356, 354, 349; D12/420, 223; 24/16 PB; 361/826  
CPC ..... B60R 7/043; B60R 7/08; A47C 7/52  
See application file for complete search history.

- D415,067 S \* 10/1999 Tung ..... D8/367
- D426,764 S \* 6/2000 Szabo ..... D8/367
- D480,946 S \* 10/2003 Estep, Jr. .... D8/367
- D549,559 S \* 8/2007 Polano ..... D8/367
- 7,322,655 B1 \* 1/2008 Williams ..... A47C 7/52  
297/423.15
- D573,875 S \* 7/2008 Anderson ..... D8/367
- D623,505 S \* 9/2010 Tu ..... D8/367
- D638,330 S \* 5/2011 Fahrendorff ..... D11/200
- D694,096 S \* 11/2013 DeFrancisci ..... D8/367
- D707,233 S \* 6/2014 Sirichai ..... D14/447
- D707,536 S \* 6/2014 Van Riper ..... D8/367
- 8,910,347 B1 \* 12/2014 Wilcox ..... B65D 63/109  
24/30.5 R
- 9,102,276 B1 \* 8/2015 Virgin ..... B60R 7/043
- D767,977 S \* 10/2016 Man ..... D8/367
- D790,345 S \* 6/2017 Nolan ..... D9/434
- 10,214,149 B2 \* 2/2019 Nolan ..... B60R 7/043
- 10,343,612 B1 \* 7/2019 Allred ..... B60R 7/043
- 10,391,920 B2 \* 8/2019 Squires ..... B60P 7/0823

(Continued)

*Primary Examiner* — Cynthia R Underwood  
(74) *Attorney, Agent, or Firm* — ScienBiziP, P.C.

(57) **CLAIM**

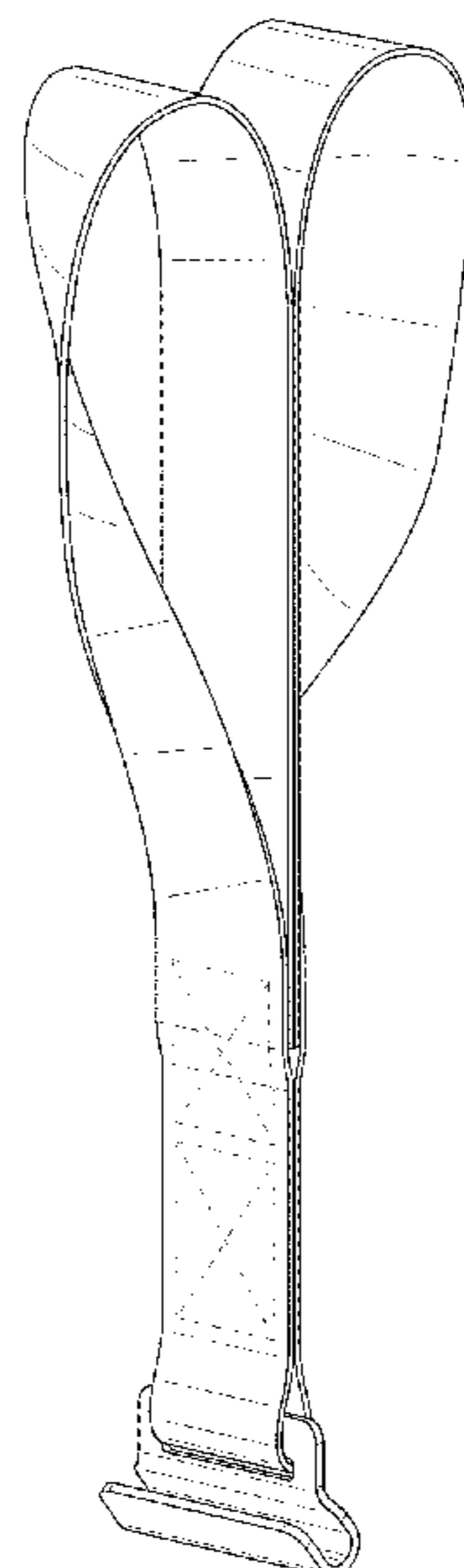
The ornamental design for a window tie down hook, as shown and described.

**DESCRIPTION**

FIG. 1 is a front, right, and top perspective view of a window tie down hook, showing my design.  
FIG. 2 is a front elevation view thereof.  
FIG. 3 is a rear elevation view thereof.  
FIG. 4 is a left side elevation view thereof.  
FIG. 5 is a right side elevation view thereof.  
FIG. 6 is a top plan view thereof; and,  
FIG. 7 is a bottom plan view thereof.  
The broken lines shown in the drawings are included for the purpose of illustrating portions of the window tie down hook that form no part of the claimed design.

**1 Claim, 7 Drawing Sheets**

- (56) **References Cited**  
U.S. PATENT DOCUMENTS
- 3,919,740 A \* 11/1975 Scherb ..... A22C 15/006  
452/187
- 4,885,824 A \* 12/1989 Schwab ..... B65D 63/14  
24/17 B
- 5,020,192 A \* 6/1991 Gerlach ..... F16G 11/14  
24/129 R
- 5,094,417 A \* 3/1992 Creed ..... A47G 29/083  
248/339
- 5,325,568 A \* 7/1994 Bruhm ..... B60P 7/0823  
24/301
- 5,647,619 A \* 7/1997 DeLisio ..... E05C 17/042  
292/288
- D398,220 S \* 9/1998 Woods ..... D8/367



(56)

**References Cited**

U.S. PATENT DOCUMENTS

10,471,899	B2 *	11/2019	Ackeret .....	B60R 7/08
D878,909	S *	3/2020	Krake .....	D8/367
D885,873	S *	6/2020	Deng .....	D8/367
D899,234	S	10/2020	Chen	
D915,181	S	4/2021	Chen	
D929,852	S *	9/2021	Carmo .....	D8/367
D931,089	S *	9/2021	Guo .....	D8/367
2011/0101055	A1 *	5/2011	O'Neill .....	B60R 7/043
				224/275
2011/0203441	A1 *	8/2011	Naylor .....	G10G 5/005
				84/327

\* cited by examiner

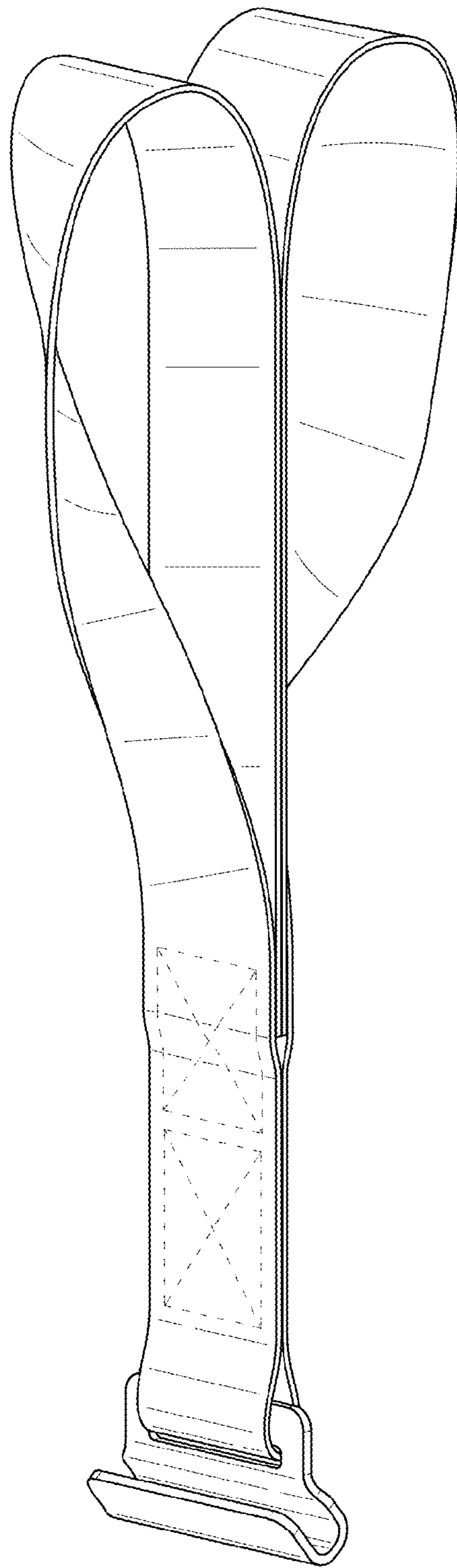


FIG.1

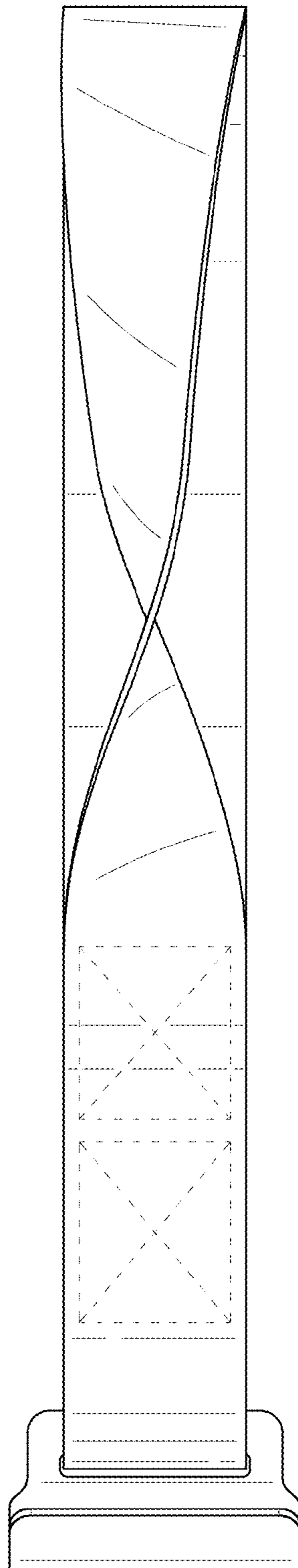


FIG.2

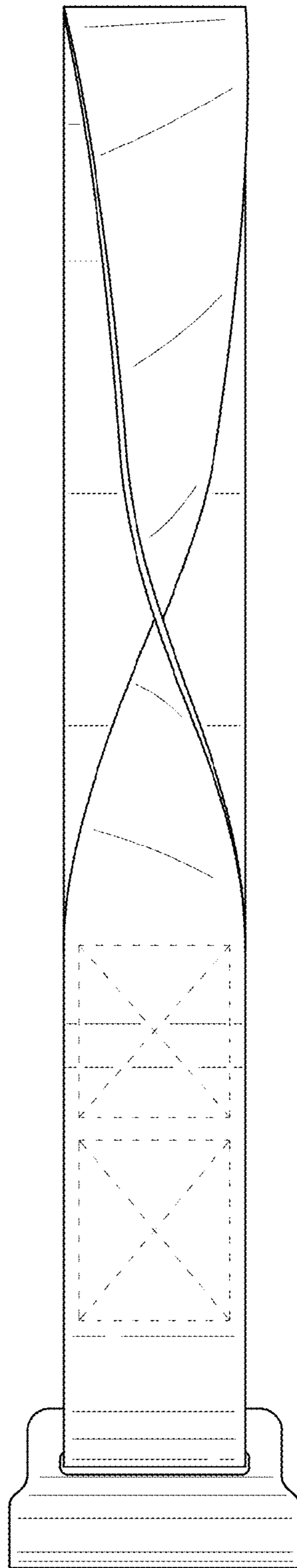


FIG.3

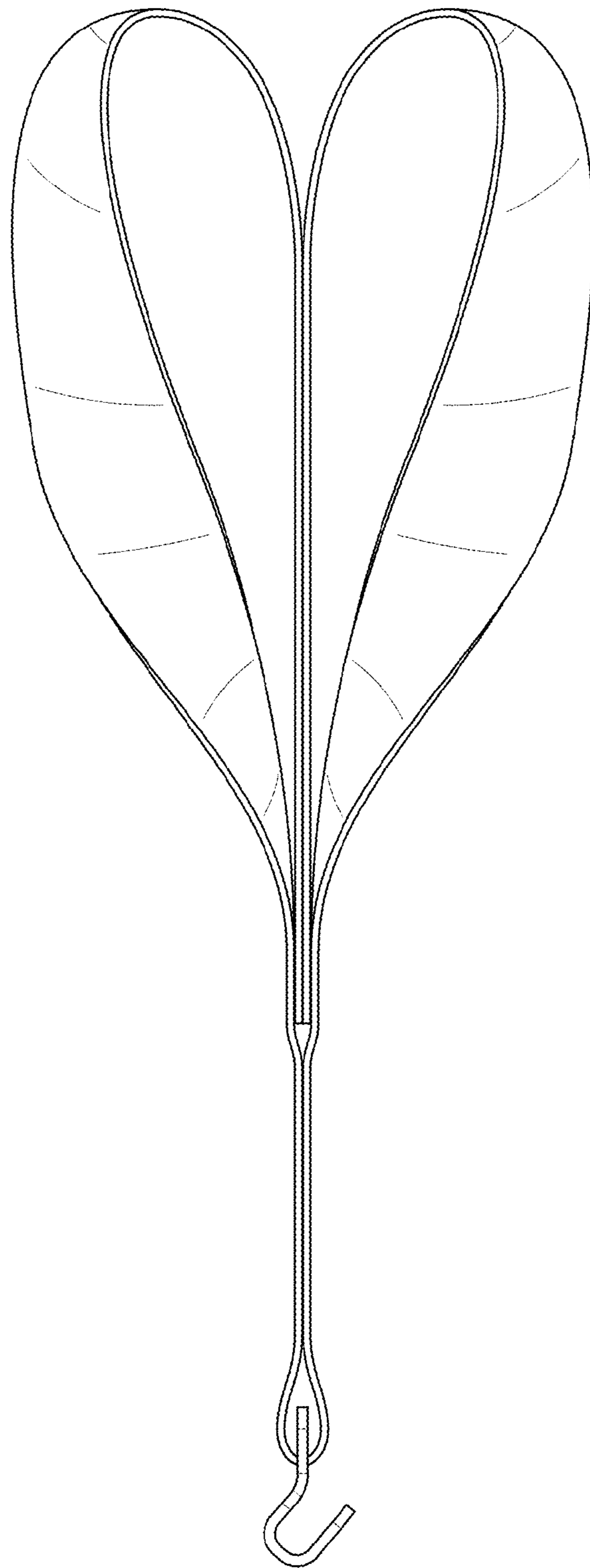


FIG.4

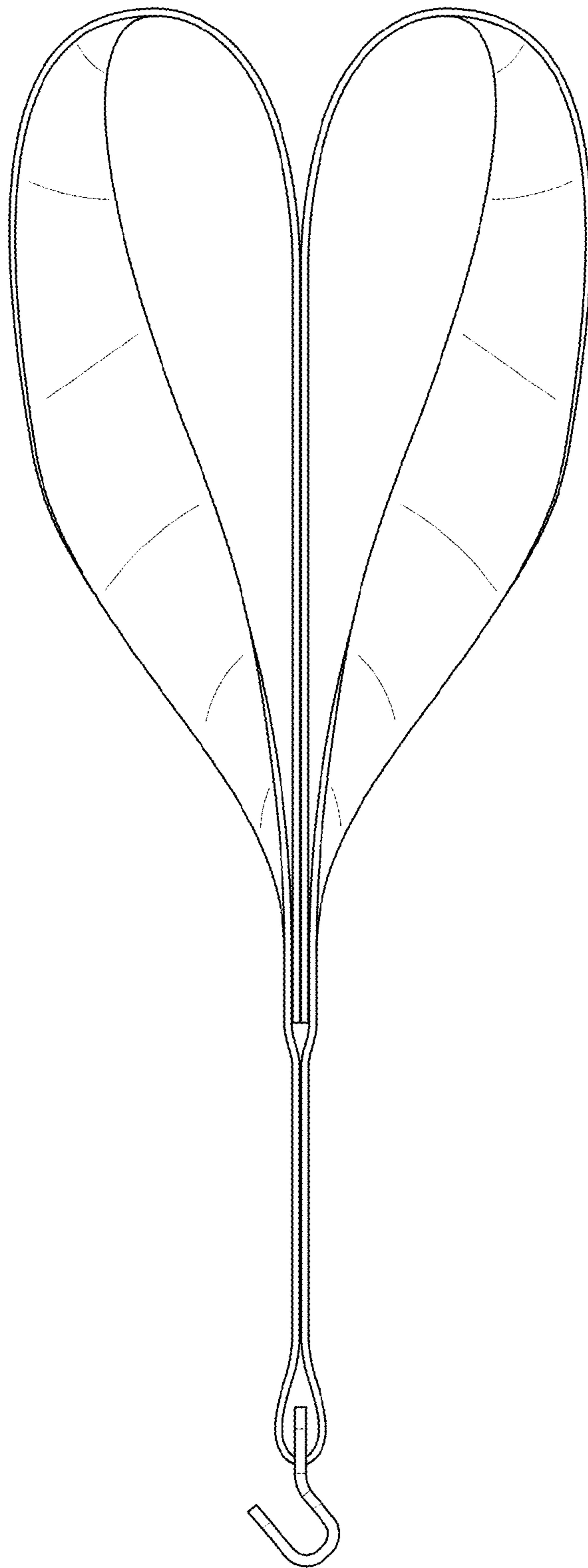


FIG.5

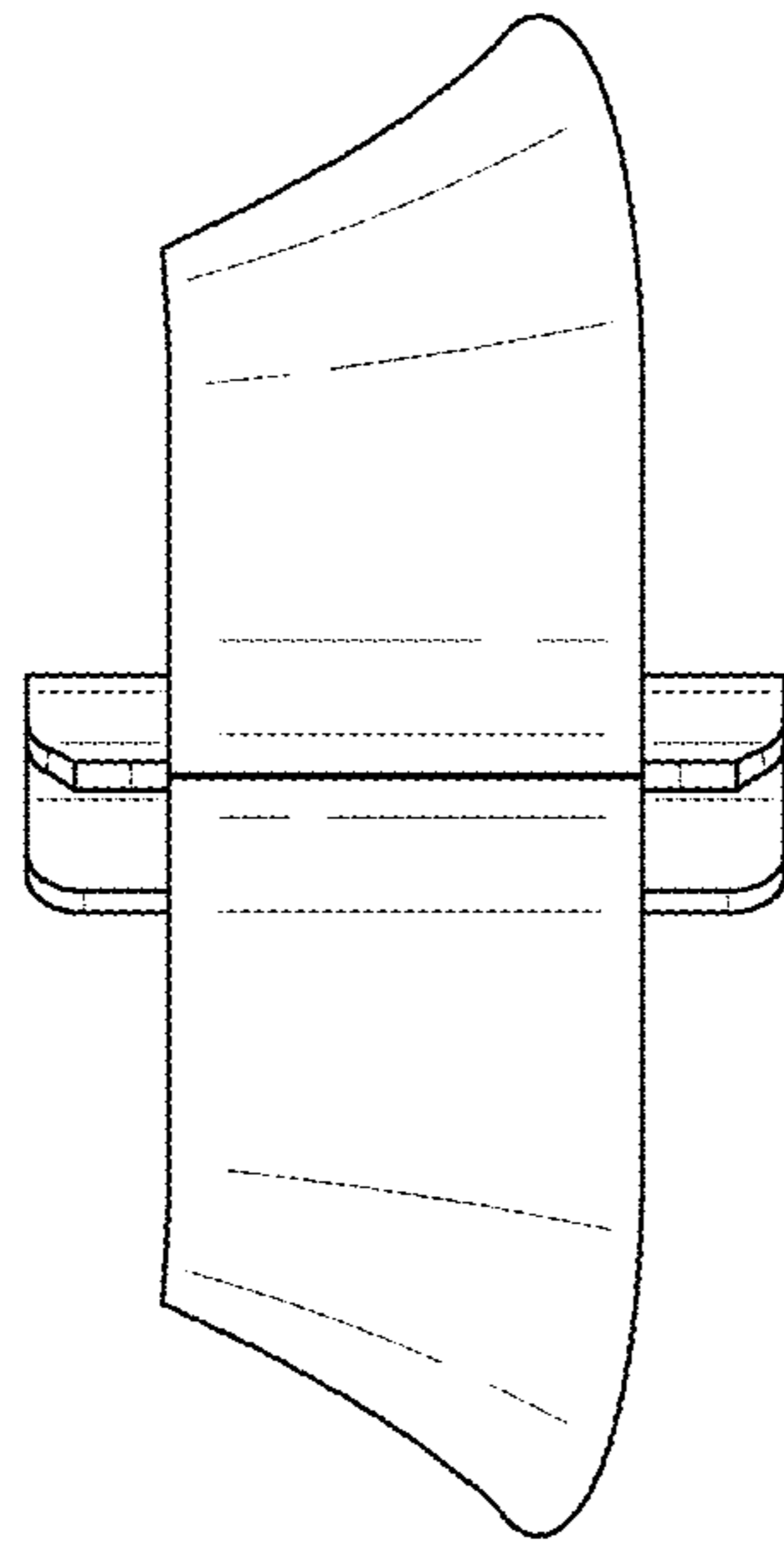


FIG.6



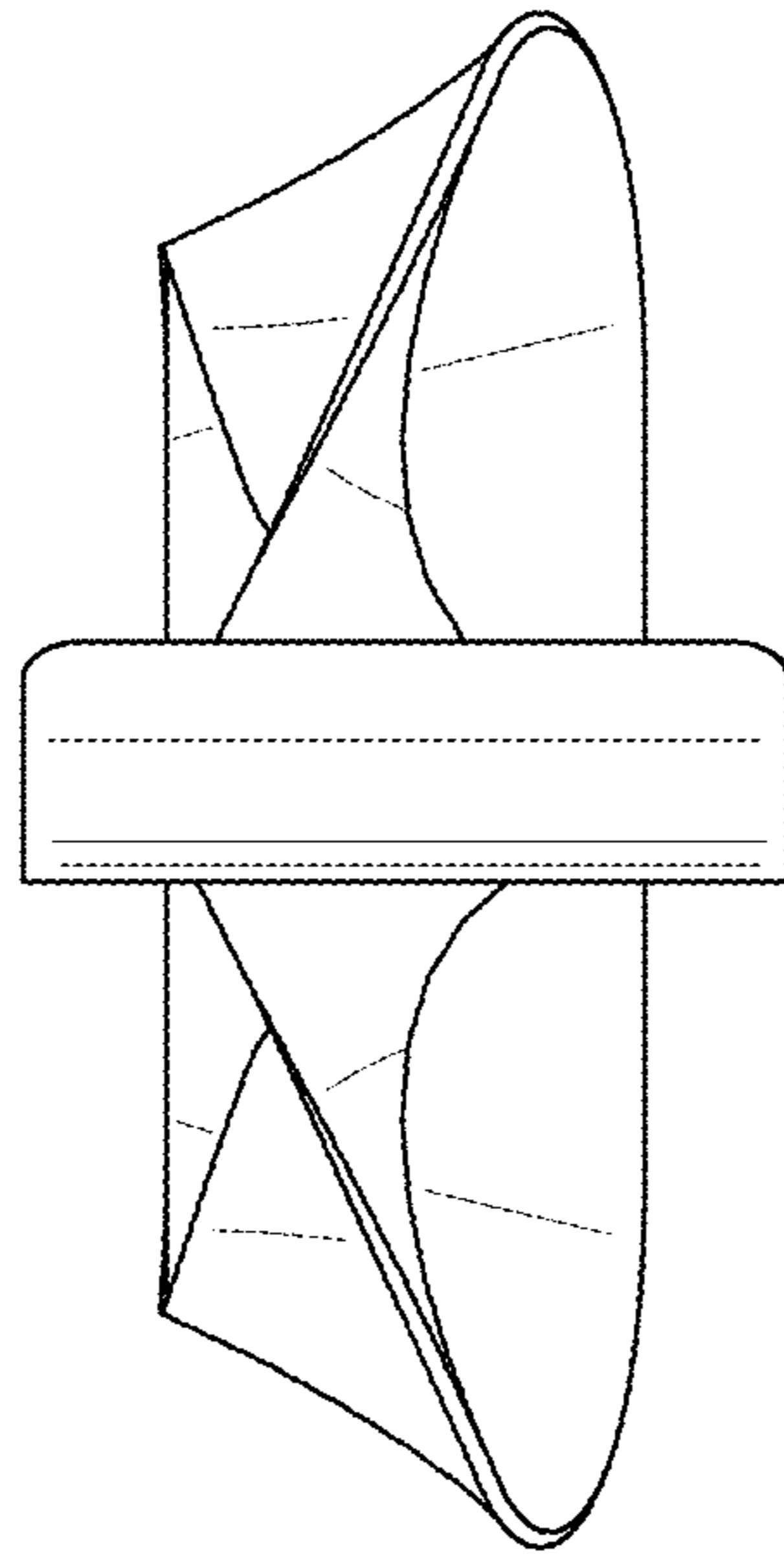


FIG. 7