



US00D964844S

(12) **United States Design Patent** (10) **Patent No.:** **US D964,844 S**
McGowan et al. (45) **Date of Patent:** **** Sep. 27, 2022**

(54) **HANGING BRACKET**
(71) Applicant: **MCS Industries, Inc.**, Easton, PA (US)
(72) Inventors: **Steven Patrick McGowan**, Perkasio, PA (US); **Robert Terry Coyle, Jr.**, Palmer, PA (US); **Richard Joseph Ehrhardt**, Easton, PA (US)
(73) Assignee: **MCS Industries, Inc.**

3,736,684 A 6/1973 Grad
3,805,862 A 4/1974 Jirovetz
3,830,278 A 8/1974 Packer
3,861,639 A 1/1975 Morrill
3,883,974 A 5/1975 Ashton
(Continued)

(**) Term: **15 Years**
(21) Appl. No.: **29/678,648**

FOREIGN PATENT DOCUMENTS

BE 1004375 A3 11/1992
CN 1650078 A 8/2005
(Continued)

(22) Filed: **Jan. 30, 2019**
(51) **LOC (13) Cl.** **08-05**
(52) **U.S. Cl.**
USPC **D8/354; D8/373**
(58) **Field of Classification Search**
USPC D8/373, 358, 359, 354, 71, 330, 336,
D8/351, 356, 360.1, 363, 364, 367, 370,
D8/372, 379, 381, 382, 395, 396
CPC B63B 21/26; B65B 57/005
See application file for complete search history.

OTHER PUBLICATIONS

International Search Report and Written Opinion of corresponding PCT/US2019/015815, dated May 14, 2019, pp. 1-26.
(Continued)

Primary Examiner — Keli L Hill
Assistant Examiner — Harold E Blackwell, II
(74) *Attorney, Agent, or Firm* — Belles Katz LLC

(56) **References Cited**

U.S. PATENT DOCUMENTS

796,838 A 8/1905 Fraser
1,340,711 A 5/1920 Greenwald
2,010,660 A 8/1935 Ferris
2,204,862 A 6/1940 Lehman
2,299,443 A 10/1942 Walmsley
2,448,137 A 8/1948 Cody
2,606,730 A 8/1952 Bryn
2,639,109 A 5/1953 Hoag
2,900,750 A 8/1959 Buelow
3,254,438 A 6/1966 Filary
3,255,544 A 6/1966 Bruce
3,552,708 A 1/1971 Hillstrom
3,665,629 A 5/1972 Shore
3,668,799 A 6/1972 Sharron
3,698,114 A 10/1972 Hirsch et al.

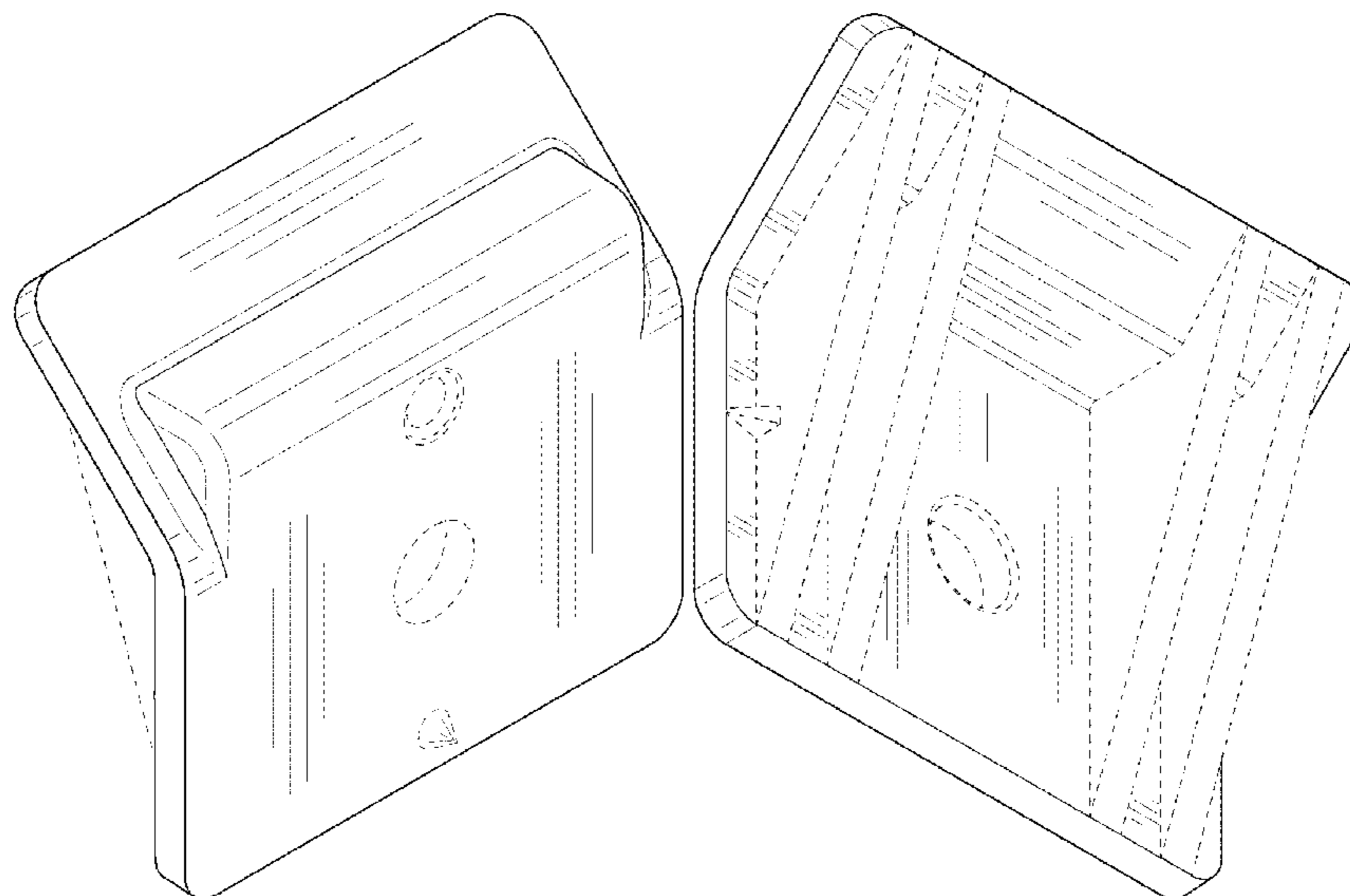
(57) **CLAIM**

The ornamental design for a hanging bracket, as shown and described.

DESCRIPTION

FIG. 1 is a top front perspective view of a hanging bracket according to our new design;
FIG. 2 is a bottom rear perspective view thereof;
FIG. 3 is a front view thereof;
FIG. 4 is a rear view thereof;
FIG. 5 is a left side view thereof;
FIG. 6 is a right side view thereof;
FIG. 7 is a top view thereof; and,
FIG. 8 is a bottom view thereof.
The broken lines in the drawings illustrate portions of a hanging bracket which form no part of the claimed design.

1 Claim, 6 Drawing Sheets



(56)

References Cited

U.S. PATENT DOCUMENTS

| | | | | | |
|---------------|---------|-------------------------------------|-------------------|---------|-----------------------------------|
| 3,912,407 A | 10/1975 | Heininger | 6,305,112 B1 | 10/2001 | Hansen |
| 3,914,062 A | 10/1975 | Heininger | 6,322,039 B1 | 11/2001 | De Luccia |
| 3,922,806 A | 12/1975 | Saad | 6,377,320 B1 | 4/2002 | Ananian |
| 3,946,512 A | 3/1976 | Shapiro | 6,454,235 B1 | 9/2002 | O'Banion |
| 4,055,909 A | 11/1977 | Perry | 6,634,127 B2 | 10/2003 | Bauer |
| 4,055,910 A | 11/1977 | Schmidt | 6,682,033 B1 | 1/2004 | Cohen |
| 4,078,326 A | 3/1978 | Reim | 6,719,481 B2 * | 4/2004 | Hoffmann F16B 7/18 403/3 |
| 4,095,361 A | 6/1978 | Ledenican | 6,830,228 B2 | 12/2004 | Ernst |
| 4,120,446 A | 10/1978 | Fuemmeler | 6,962,016 B1 | 11/2005 | Meyer |
| D251,286 S * | 3/1979 | Cook D8/371 | 7,198,244 B2 | 4/2007 | Deline |
| 4,161,977 A | 7/1979 | Baslow | 7,309,053 B2 | 12/2007 | Lin |
| 4,216,597 A | 8/1980 | Kocina et al. | 7,313,880 B2 | 1/2008 | Yamagishi |
| 4,228,982 A | 10/1980 | Sellera | D572,122 S * | 7/2008 | Cave A47G 1/168 D8/373 |
| 4,233,765 A | 11/1980 | O'Mullan et al. | 7,708,252 B2 | 5/2010 | Vander Berg |
| 4,235,030 A | 11/1980 | Astolfi | 7,770,315 B2 | 8/2010 | Bauer et al. |
| 4,311,295 A | 1/1982 | Jamar, Jr. | 7,802,769 B1 | 9/2010 | Lindsey |
| 4,348,826 A | 9/1982 | Reim | 7,891,124 B1 | 2/2011 | Willis |
| 4,391,054 A | 7/1983 | Schovee | 8,215,043 B1 | 7/2012 | Roy |
| 4,428,135 A | 1/1984 | Sobel | 8,333,026 B2 | 12/2012 | Southard |
| 4,462,176 A | 7/1984 | Schovee | 8,534,627 B2 | 9/2013 | Kressin |
| 4,466,591 A | 8/1984 | Alonzo | 8,641,001 B2 | 2/2014 | Heffernon |
| 4,478,006 A | 10/1984 | Johnson, Jr. | 8,671,583 B2 | 3/2014 | Leonard |
| RE31,799 E | 1/1985 | Paskerian | 8,793,910 B2 | 8/2014 | Froio et al. |
| 4,499,679 A | 2/1985 | Sherman | 8,864,095 B1 | 11/2014 | Marks |
| 4,507,884 A | 4/1985 | Kazanjan | D734,657 S * | 7/2015 | Wu D8/373 |
| D279,449 S * | 7/1985 | Finger, Jr. D20/43 | 9,480,350 B2 | 11/2016 | Kressin et al. |
| 4,531,315 A | 7/1985 | Sobel | 9,609,964 B1 | 4/2017 | Munson |
| 4,538,936 A | 9/1985 | Zeidl | 9,826,845 B2 | 11/2017 | Krake |
| 4,555,432 A | 11/1985 | Bossons | 9,949,581 B2 | 4/2018 | Kacius et al. |
| 4,557,457 A | 12/1985 | Cockfield et al. | 10,039,394 B2 | 8/2018 | Pyle |
| 4,571,866 A | 2/1986 | Cole | 10,051,982 B2 | 8/2018 | Jackson |
| 4,596,488 A | 6/1986 | Schendan | 10,098,483 B2 | 10/2018 | Krake |
| 4,606,526 A | 8/1986 | Rabinowitz | 10,180,155 B2 | 1/2019 | Brown |
| 4,641,441 A | 2/1987 | Roth | 10,253,796 B2 | 4/2019 | Carroll |
| 4,689,906 A | 9/1987 | Sherman | 10,349,759 B2 | 7/2019 | Wiggins |
| 4,712,761 A | 12/1987 | Wassell | 10,517,411 B2 | 12/2019 | Forrest |
| 4,718,184 A | 1/1988 | Sherman | D884,464 S * | 5/2020 | Krake D8/373 |
| 4,738,039 A | 4/1988 | Sun | 10,799,044 B1 | 10/2020 | Zhao |
| 4,776,117 A | 10/1988 | Astolfi | 2001/0034989 A1 | 11/2001 | Geiberger |
| 4,804,161 A | 2/1989 | Wallo | 2003/0038222 A1 | 2/2003 | Holmes |
| 4,809,859 A | 3/1989 | Chung | 2003/0145502 A1 | 8/2003 | Roy |
| 4,859,112 A | 8/1989 | Nakayama | 2005/0109910 A1 | 5/2005 | Vander Berg et al. |
| 4,862,612 A | 9/1989 | Sugihara | 2006/0218839 A1 | 10/2006 | Vineyard |
| 4,932,146 A | 6/1990 | Long | 2007/0023605 A1 | 2/2007 | Schlais |
| 4,973,187 A * | 11/1990 | Sauder E06B 3/9688 403/231 | 2007/0199181 A1 | 8/2007 | Eichert et al. |
| 4,974,352 A | 12/1990 | Shwu-Jen | 2007/0210234 A1 | 9/2007 | Lin |
| 4,980,983 A | 1/1991 | Champley | 2008/0163524 A1 | 7/2008 | Broehl et al. |
| 5,012,601 A | 5/1991 | Garland et al. | 2009/0026343 A1 | 1/2009 | Bauer |
| 5,058,297 A | 10/1991 | McGinnis | 2009/0165319 A1 | 7/2009 | Gallien |
| 5,058,353 A | 10/1991 | Gartner | 2010/0043268 A1 | 2/2010 | Powell |
| 5,101,586 A | 4/1992 | Zennedijan | 2011/0258897 A1 | 10/2011 | Dorsey |
| 5,110,234 A | 5/1992 | Makinen | 2013/0180142 A1 | 5/2013 | Alexander et al. |
| 5,178,355 A | 1/1993 | Herzig | 2014/0115935 A1 | 5/2014 | Mason |
| 5,249,765 A | 10/1993 | Garcia | 2014/0231604 A1 | 8/2014 | Long |
| 5,255,458 A | 10/1993 | Piel | 2014/0346310 A1 | 11/2014 | Yang |
| 5,265,358 A | 11/1993 | Borod | 2014/0360068 A1 | 12/2014 | Bigoney |
| 5,303,895 A | 4/1994 | Hart | 2016/0230926 A1 | 8/2016 | Marley, Jr. |
| 5,307,575 A | 5/1994 | Ivansson | 2016/0235224 A1 | 8/2016 | Yang |
| 5,335,434 A | 8/1994 | Shultz et al. | 2017/0035223 A1 | 2/2017 | Kressin |
| 5,450,702 A | 9/1995 | Barnett | 2017/0055730 A1 | 3/2017 | Krake et al. |
| 5,454,542 A | 10/1995 | Hart | 2017/0055732 A1 | 3/2017 | Krake et al. |
| 5,537,716 A | 7/1996 | Komamura | 2017/0059084 A1 * | 3/2017 | Krake A47G 1/162 |
| 5,799,429 A | 9/1998 | Speshyock | 2017/0290449 A1 | 10/2017 | Snyder |
| D400,081 S * | 10/1998 | Ibaragi D8/354 | 2017/0367506 A1 | 12/2017 | Pyle |
| 5,832,646 A | 11/1998 | Albin et al. | 2018/0116431 A1 | 5/2018 | Thompson |
| 5,899,427 A | 5/1999 | Schuite | 2018/0199736 A1 | 7/2018 | Spiro |
| 5,961,090 A | 10/1999 | Parkin | 2018/0238489 A1 | 8/2018 | Murphy |
| 6,032,378 A | 3/2000 | Null | 2019/0008292 A1 | 1/2019 | Krake et al. |
| 6,053,468 A | 4/2000 | Francis | 2019/0021524 A1 | 1/2019 | Yang |
| 6,095,478 A | 8/2000 | Barnes | 2019/0307268 A1 | 10/2019 | Stas |
| 6,171,540 B1 | 1/2001 | Ibaragi | | | |
| 6,179,515 B1 | 1/2001 | Grieser et al. | | | |
| 6,241,210 B1 | 6/2001 | Brindisi | | | |
| 6,286,802 B1 | 9/2001 | Munson | | | |

(56)

References Cited

U.S. PATENT DOCUMENTS

2019/0350387 A1 11/2019 Bastian
2020/0281376 A1 9/2020 Gallien

FOREIGN PATENT DOCUMENTS

CN 102792095 A 11/2012
CN 107427130 A 12/2017
GB 2089207 6/1982
GB 2127741 4/1984

OTHER PUBLICATIONS

High & mighty, 20lb Wall Hanger, <https://designedtobestuckup.com/wall-hangers/20lb-wall-hanger>. US.

Amazon.com, Hangman Z-Hanger Heavy Duty Mirror, Picture and Panel Hanger—Aluminum: Z-18, https://www.amazon.com/Hangman-Z-Hanger-Mirror-Picture-Aluminum/dp/B000VW5T0I/ref=asc_df_B000VW5T0I/?tag=hyprod-20&linkCode=df0&hvadid=193151859311&hvpos=1o5&hvnetw=g&hvrnd=293558049205463793&hvpon=&hvptwo=&hvqmt=&hvdev=c&hvdvcmld=&hvlocint=&hvlocphy=9007324&hvtargid=pla-308990981248&pssc=1. US.

Hangman Products, <https://hangmanproducts.com/collections/hanging-solutions/pictures-framed-art>. US.

* cited by examiner

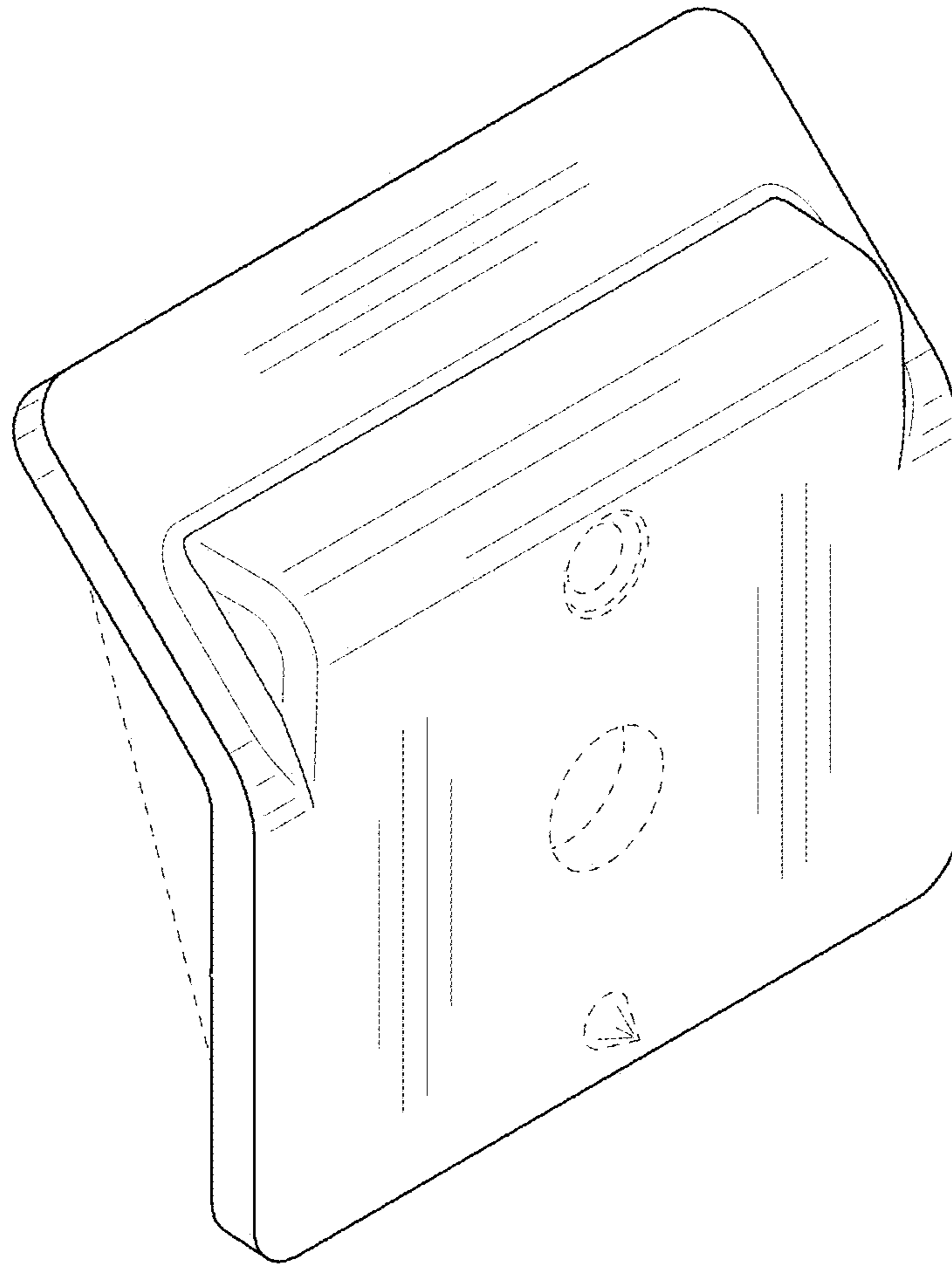


FIG. 1

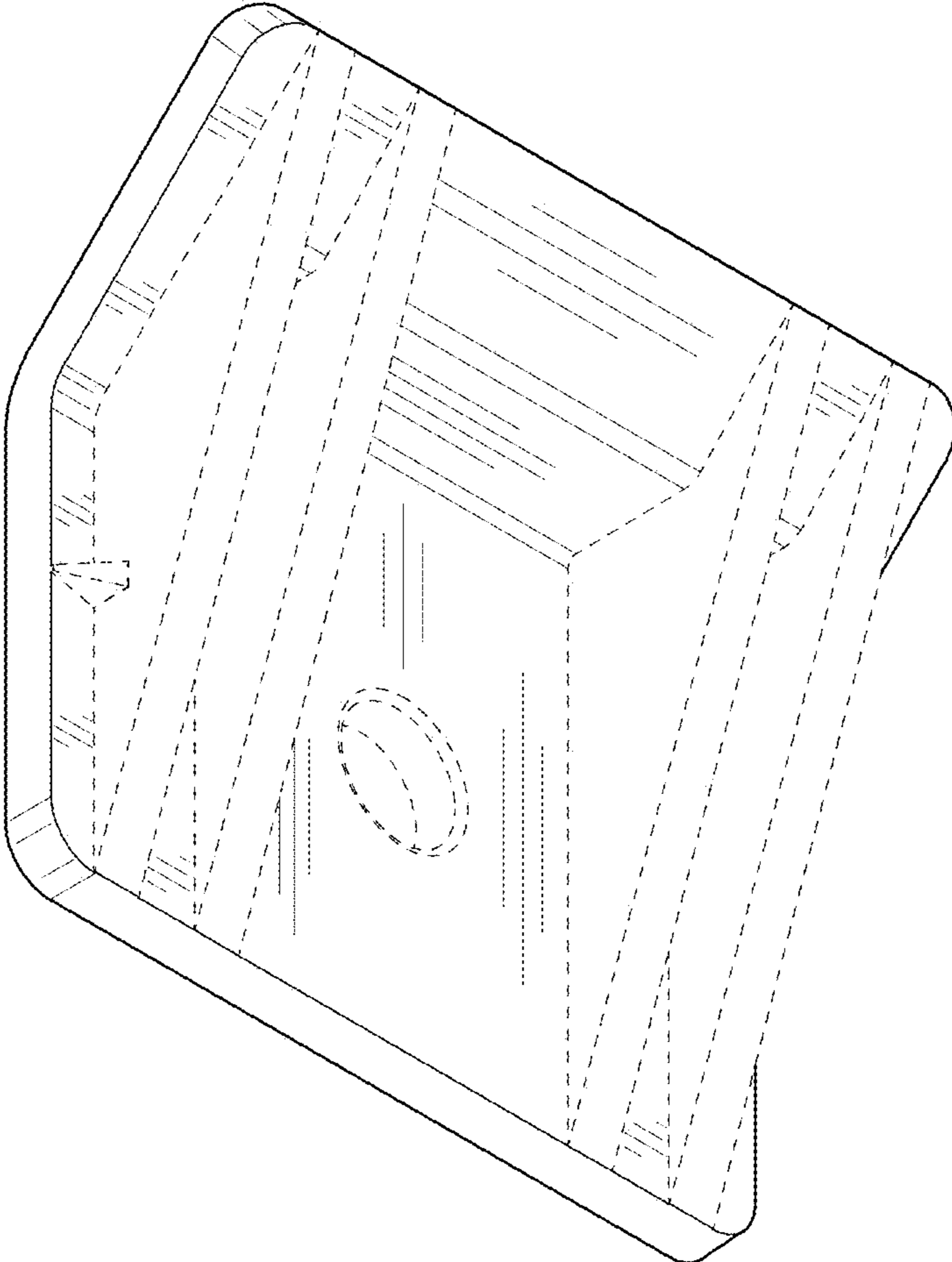


FIG. 2

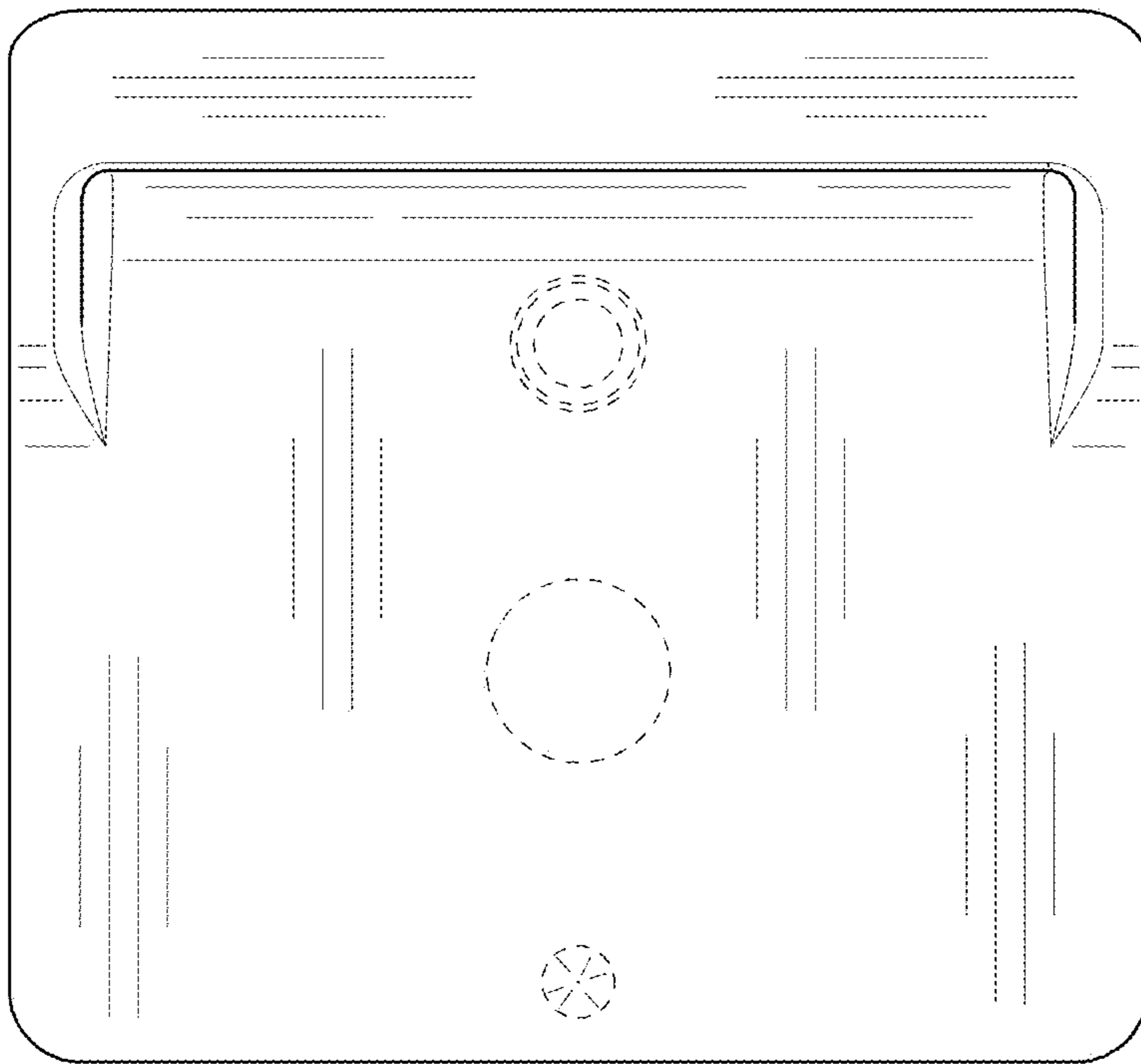


FIG. 3

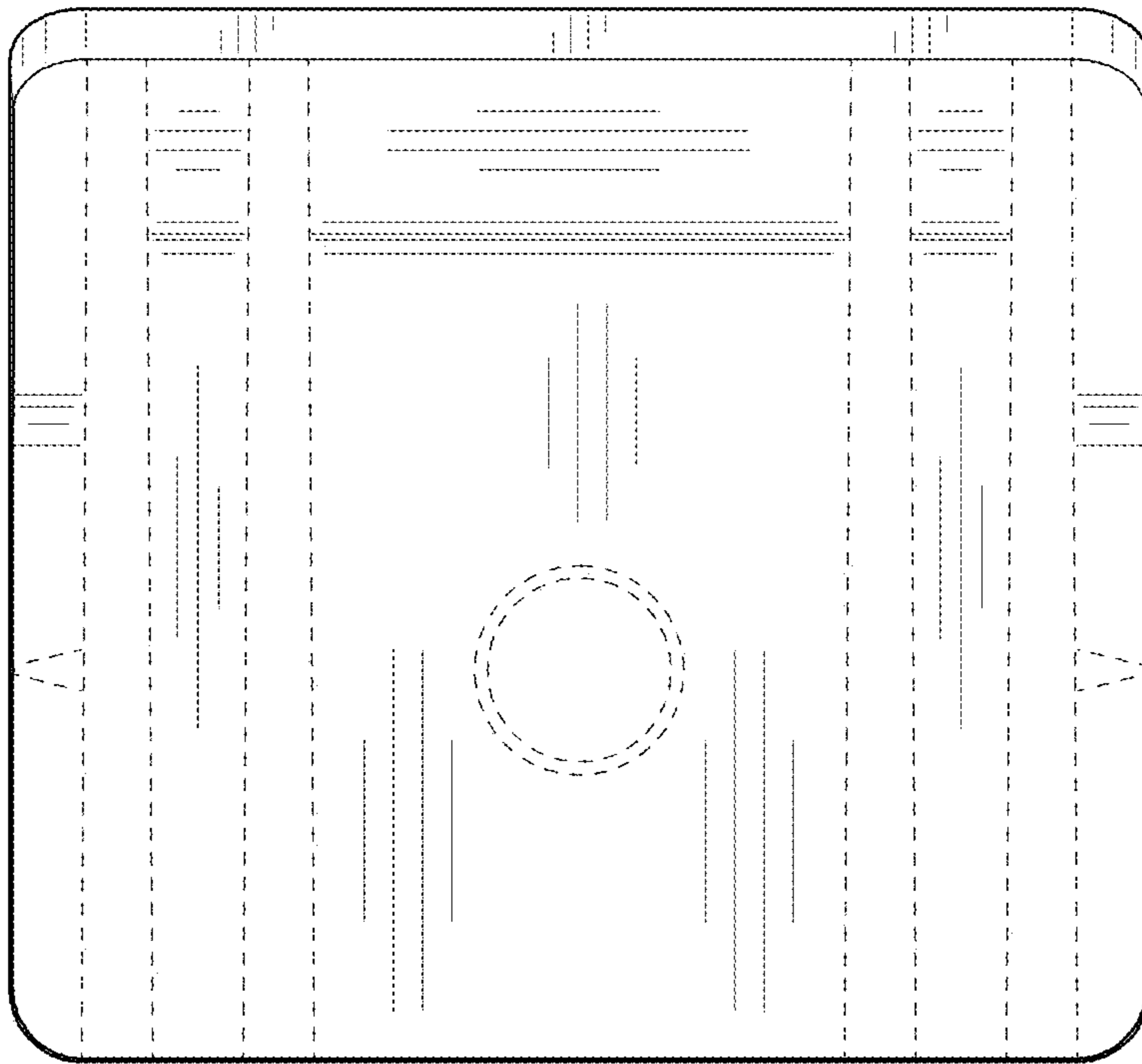


FIG. 4

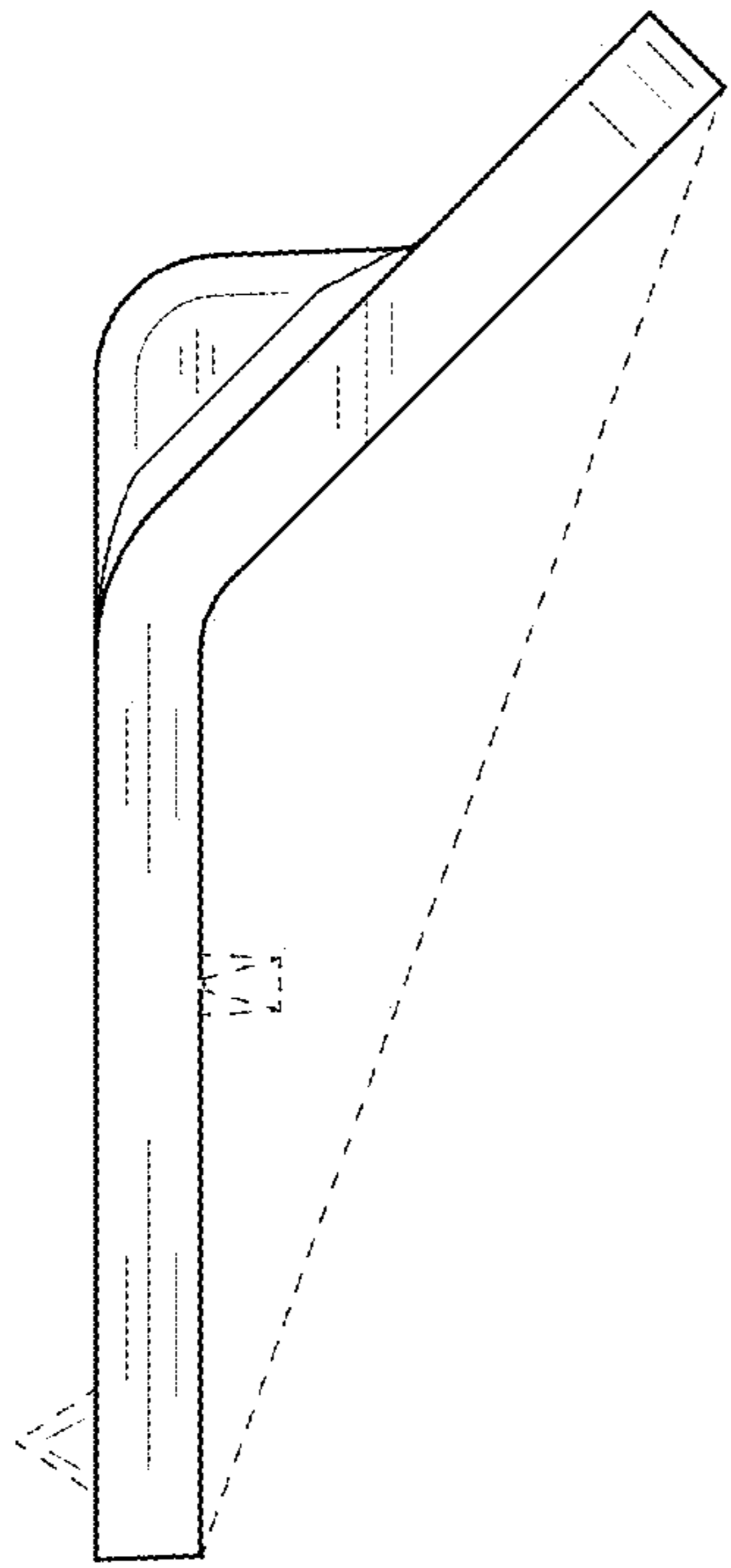


FIG. 5

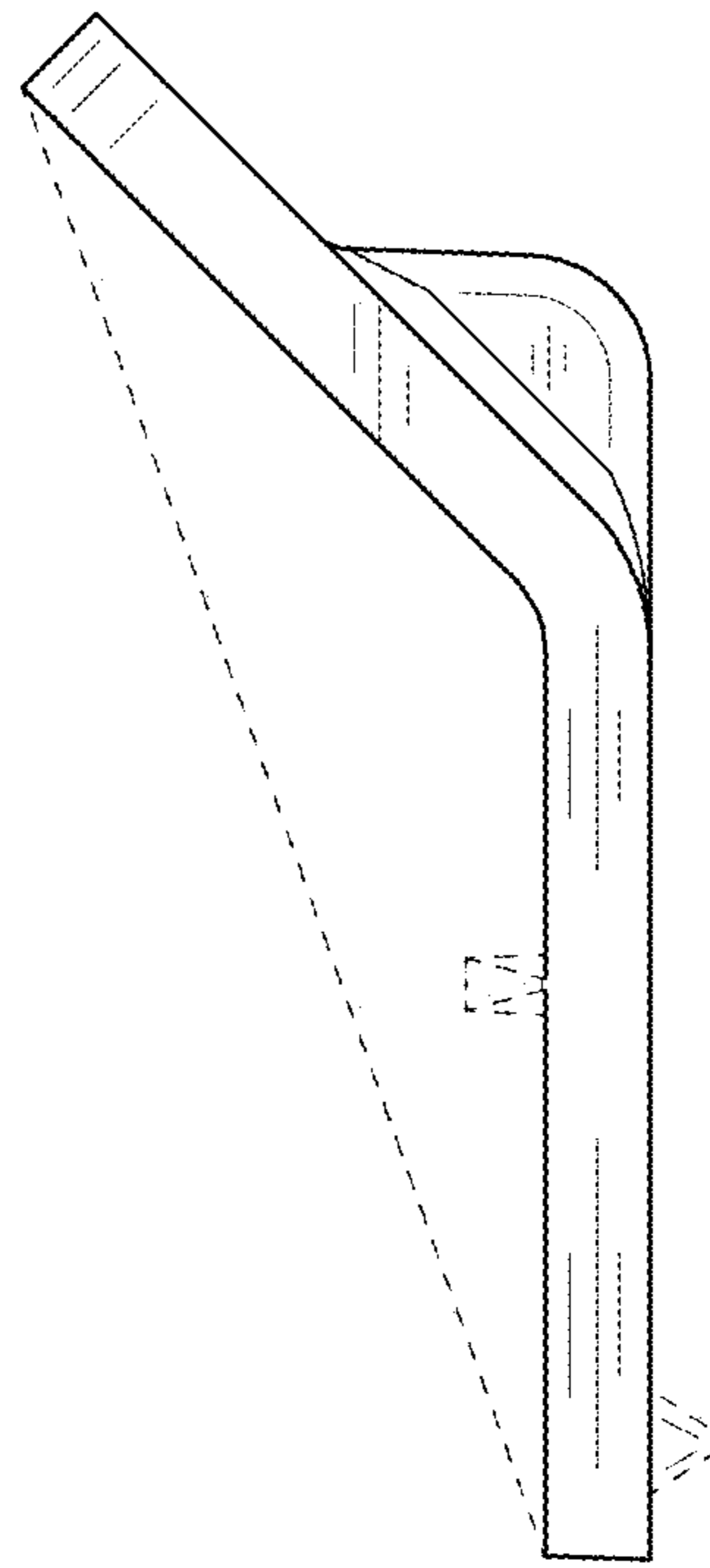


FIG. 6

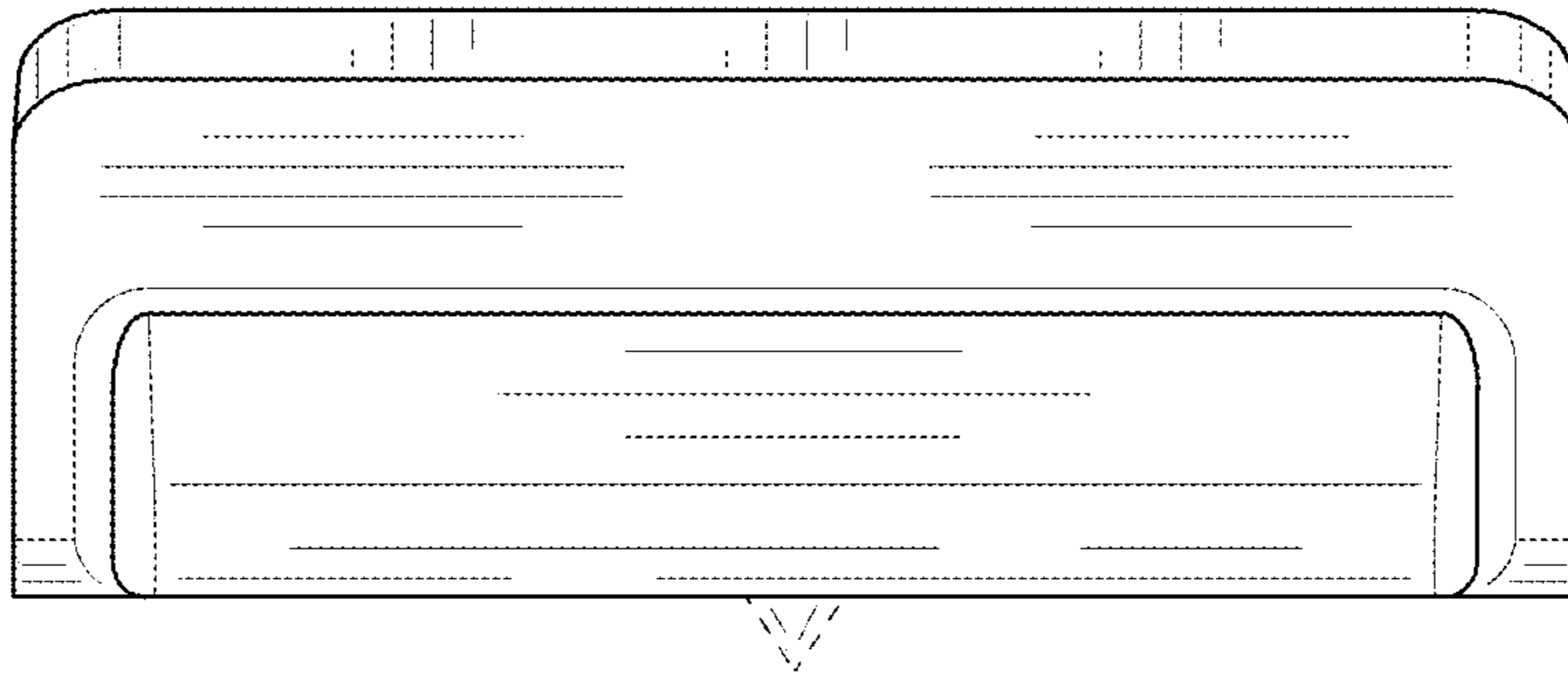


FIG. 7

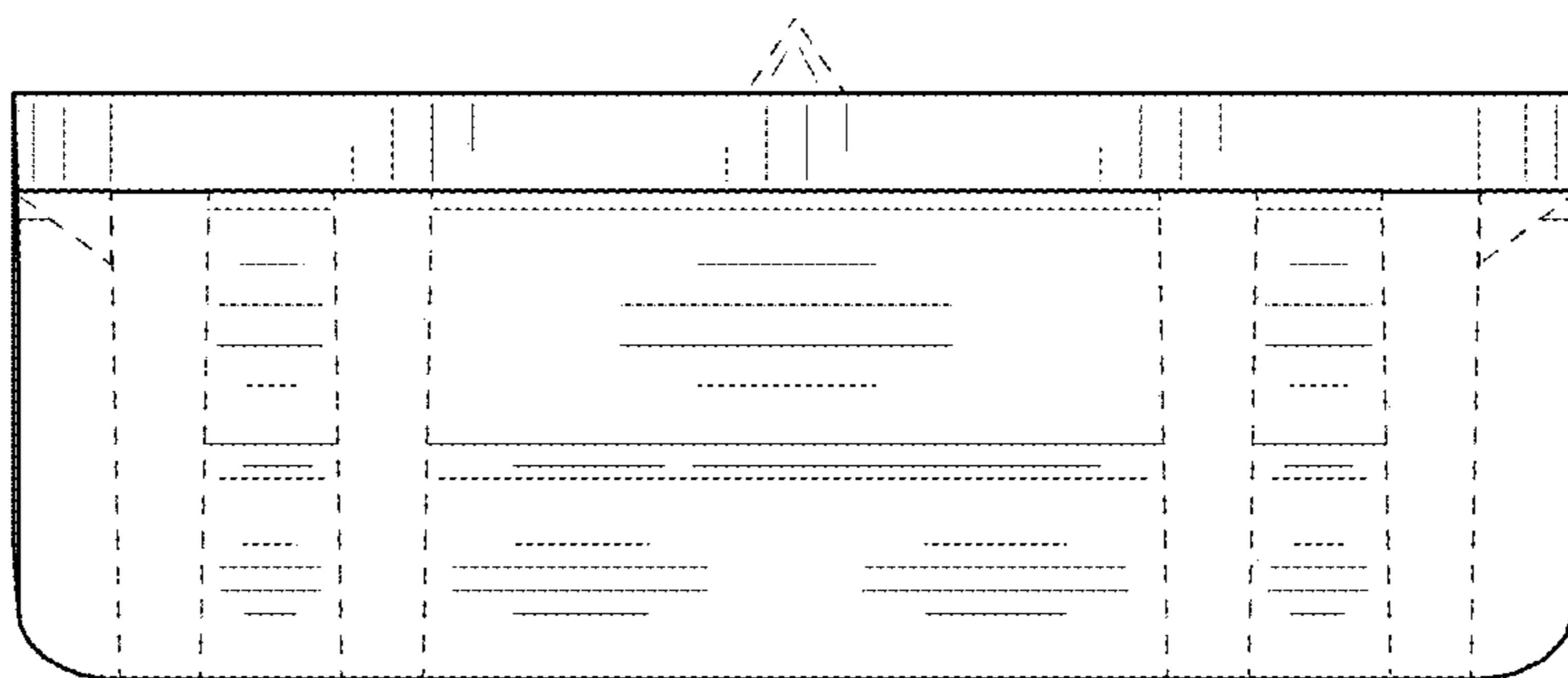


FIG. 8