

US00D964843S

(12) **United States Design Patent**
Peng

(10) **Patent No.:** **US D964,843 S**

(45) **Date of Patent:** **** Sep. 27, 2022**

(54) **ELECTRONIC HORSESHOE LOCK**

(71) Applicant: **Shenzhen Omni Intelligent Technology Co., Ltd**, Shenzhen (CN)

(72) Inventor: **Jiong Peng**, Shenzhen (CN)

(**) Term: **15 Years**

(21) Appl. No.: **29/789,979**

(22) Filed: **Oct. 28, 2021**

(51) **LOC (13) Cl.** **08-07**

(52) **U.S. Cl.**
USPC **D8/334**; D8/333

(58) **Field of Classification Search**
USPC D8/71, 331, 333, 334, 339, 347, 400;
D12/114
CPC B62H 5/147; B62H 5/003; B62H 5/14;
B62H 5/00; E05B 71/00; E05B 47/00
See application file for complete search history.

(56) **References Cited**

U.S. PATENT DOCUMENTS

2,647,390	A *	8/1953	Paulson	B62H 5/147 70/227
3,965,709	A *	6/1976	Belke	B62H 5/147 70/227
5,197,310	A *	3/1993	Pedersen	B62H 5/147 70/227
5,802,889	A *	9/1998	Arnold	B62H 5/14 211/5
7,032,416	B1 *	4/2006	Wu	B60R 25/093 70/226
D559,078	S	1/2008	Baczuk et al.		
D660,683	S	5/2012	Golling		
D701,745	S *	4/2014	Stevens	D8/334
9,512,649	B2 *	12/2016	Mohamed	E05B 47/0012
D786,654	S *	5/2017	Oliva Camacho	D8/331
9,932,759	B2 *	4/2018	Mohamed	E05B 45/06
D822,452	S *	7/2018	Fan	D8/333

D836,493	S *	12/2018	Lai	D12/114
D836,906	S *	1/2019	Benson	D3/207
D911,148	S *	2/2021	Yi	D8/330
11,066,117	B2 *	7/2021	Hu	B62H 5/00
2006/0150691	A1 *	7/2006	Truss	E05B 67/22 70/39
2014/0000322	A1 *	1/2014	Williams	B62H 5/003 70/18
2014/0352369	A1 *	12/2014	Dasbach	B62H 5/147 70/15

(Continued)

OTHER PUBLICATIONS

“AXA Solid Plus Ring Lock”, Jan. 16, 2016, Amazon.com, site visited Jul. 25, 2022: <https://www.amazon.com/AXA-Solid-Antivol-cadre-Noir/dp/B00VG8W0FS> (Year: 2016).*

(Continued)

Primary Examiner — Jack Reickel
Assistant Examiner — Michael A Kervin

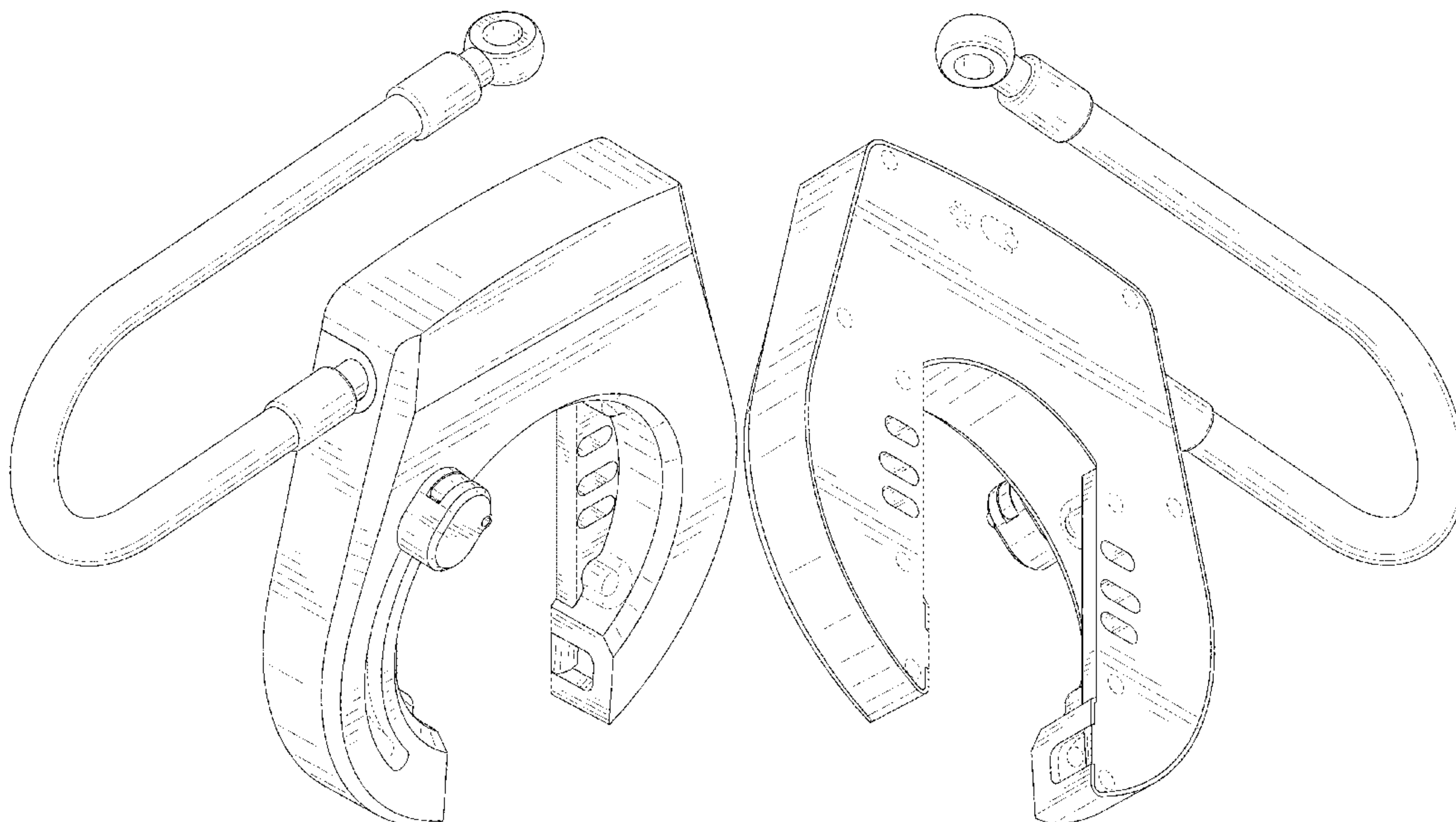
(57) **CLAIM**

The ornamental design for an electronic horseshoe lock, as shown and described.

DESCRIPTION

FIG. 1 is a perspective view of an electronic horseshoe lock, showing my new design;
FIG. 2 is another perspective view thereof;
FIG. 3 is a front view thereof;
FIG. 4 is a rear view thereof;
FIG. 5 is a left side view thereof;
FIG. 6 is a right side view thereof;
FIG. 7 is a top plan view thereof; and,
FIG. 8 is a bottom plan view thereof.
The broken line showing of an electronic horseshoe lock is for the purpose of illustrating portions of the article and forms no part of the claimed design.

1 Claim, 8 Drawing Sheets



(56)

References Cited

U.S. PATENT DOCUMENTS

2016/0090754 A1* 3/2016 Mohamed E05B 39/005
70/15
2017/0043828 A1* 2/2017 Mohamed E05B 45/06
2018/0015974 A1* 1/2018 Yang E05B 39/005
2018/0080256 A1* 3/2018 Yang E05B 17/10
2018/0118294 A1* 5/2018 Anuth B62H 5/003
2019/0047646 A1* 2/2019 Mohamed H04W 12/06
2019/0106170 A1* 4/2019 Hagen E05B 67/003
2019/0292815 A1* 9/2019 Hu E05B 71/00
2019/0368223 A1* 12/2019 Liu E05B 15/16
2020/0023917 A1* 1/2020 Hu E05B 71/00
2020/0223503 A1* 7/2020 Hu B62J 99/00
2020/0332564 A1* 10/2020 Baum E05B 67/003
2020/0361552 A1* 11/2020 Radenbaugh E05B 73/0011
2022/0145670 A1* 5/2022 Ku E05B 71/00

OTHER PUBLICATIONS

“Trelock Ring Lock”, Jun. 22, 2017, Amazon.com, site visited Jul. 25, 2022: <https://www.amazon.com/Trelock-Frame-Lock-Rs-453/dp/B01MQTQNET> (Year: 2017).*

“M-Wave Ring Frame Lock”, Nov. 7, 2017, Amazon.com, site visited Jul. 25, 2022: <https://www.amazon.com/M-Wave-231461-Antivol-cadre-Noir/dp/B00B2H5WUI> (Year: 2017).*

* cited by examiner

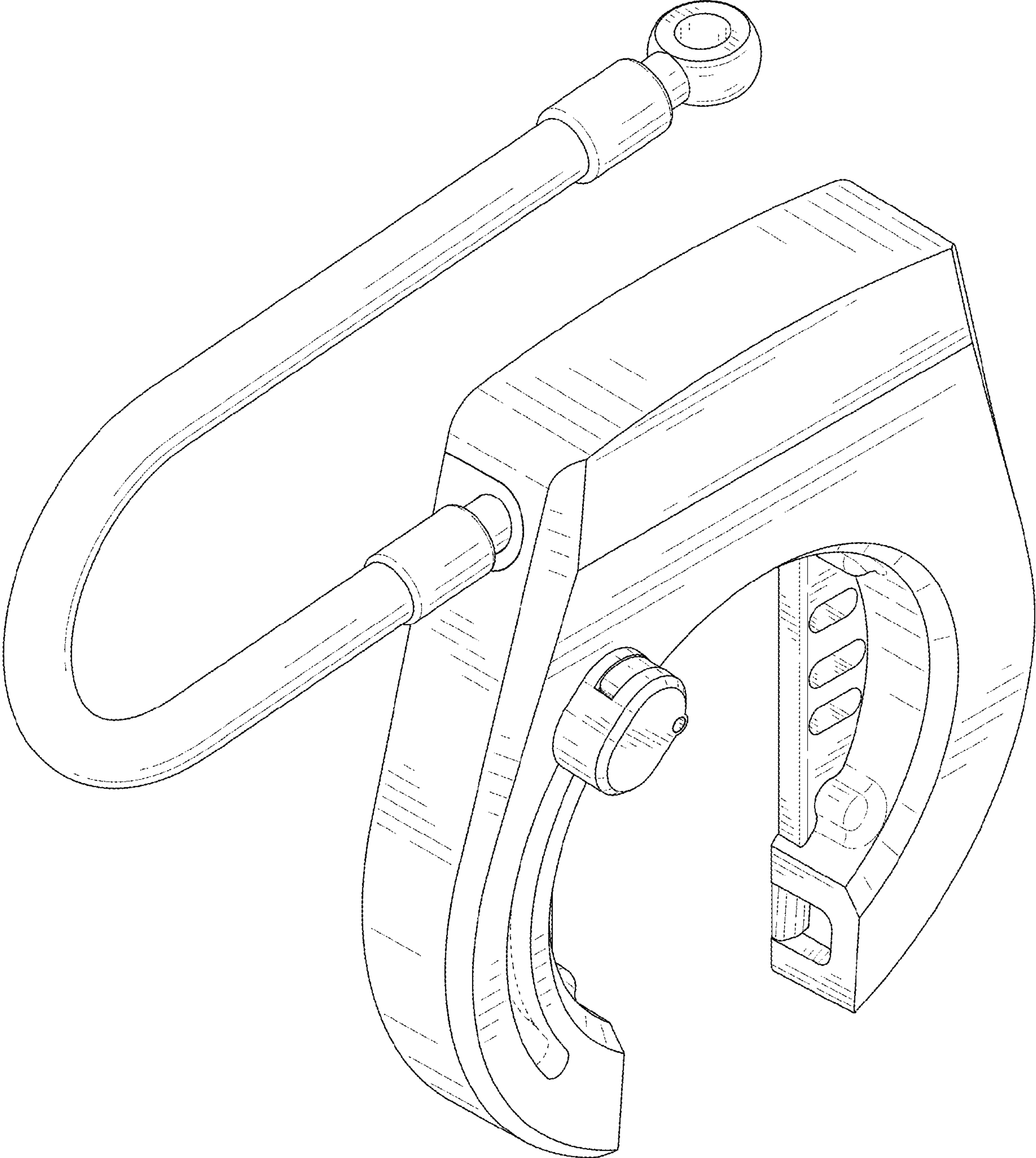


FIG. 1

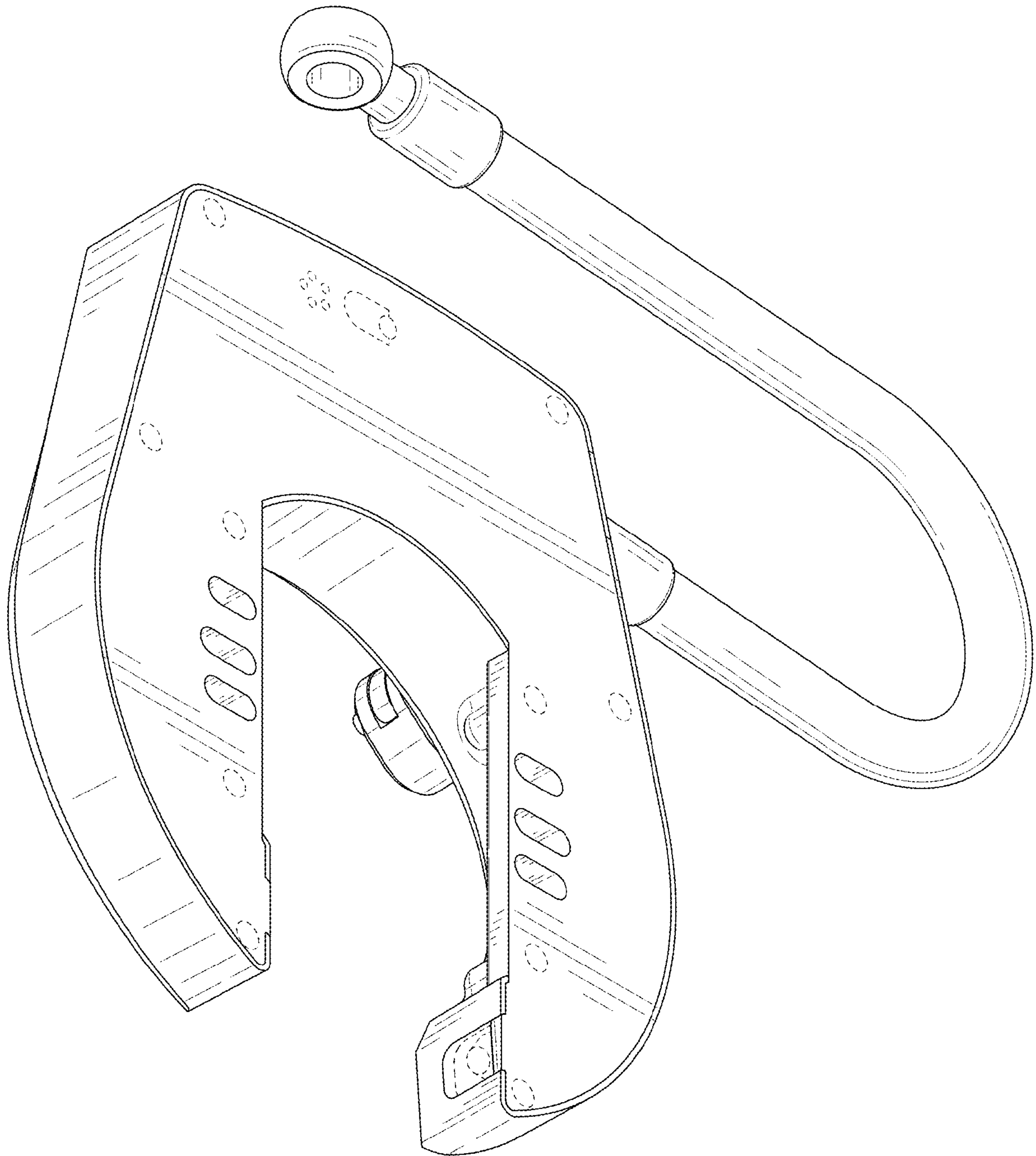


FIG. 2

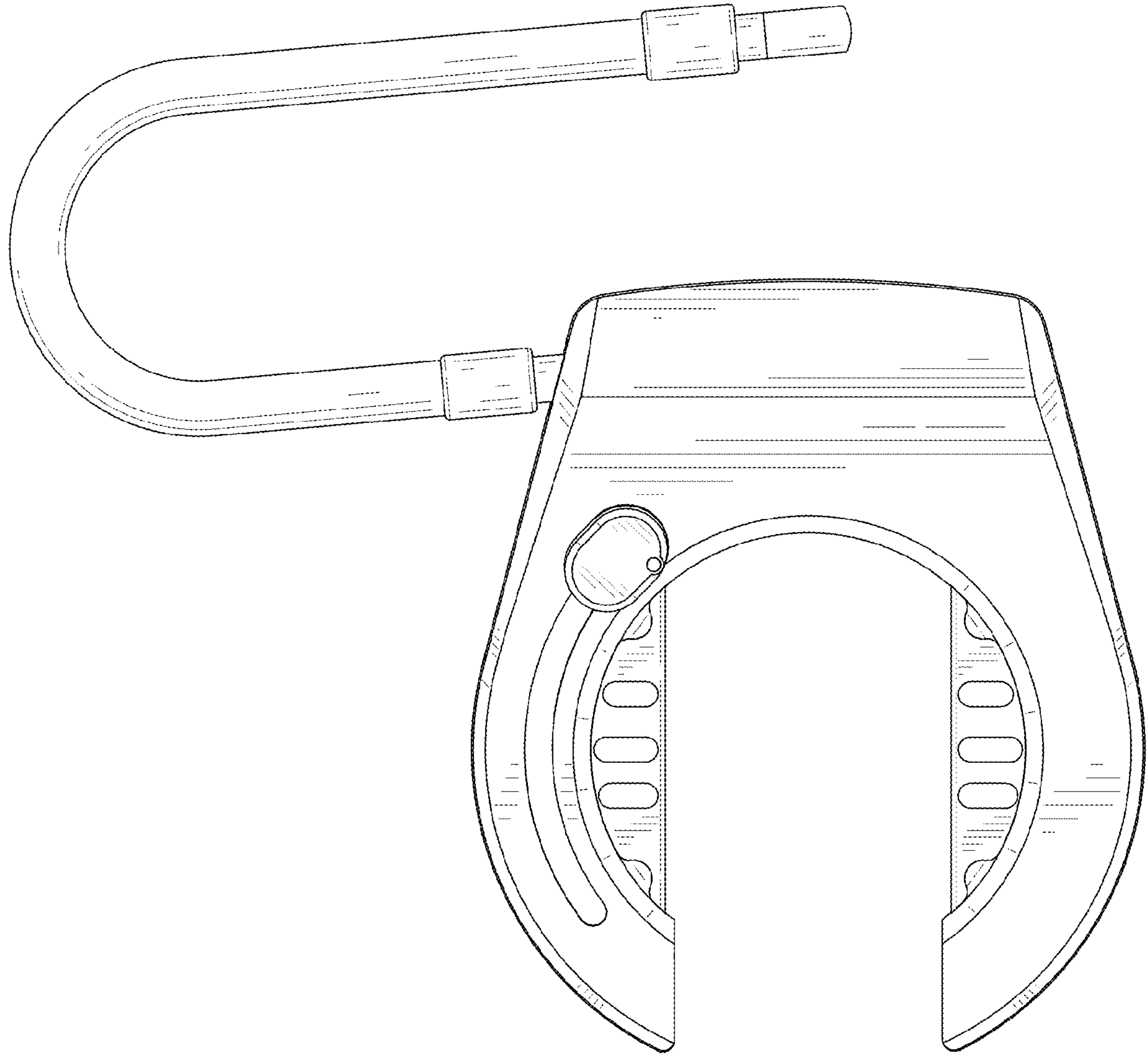


FIG. 3

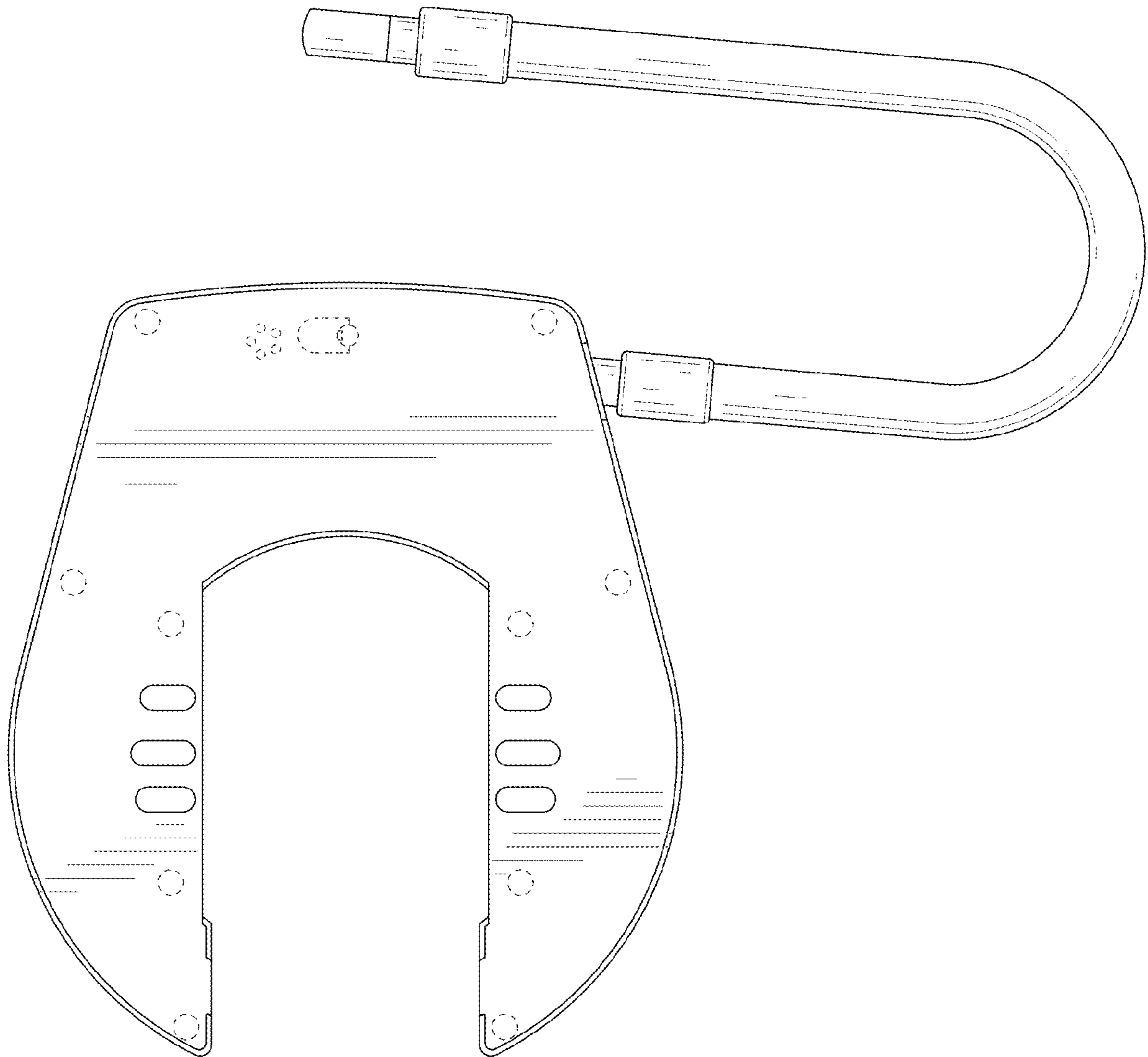


FIG. 4

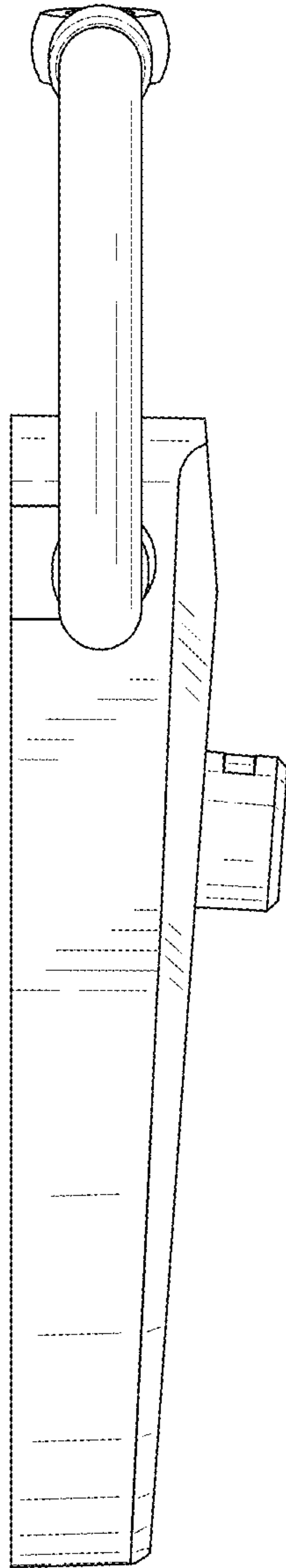


FIG. 5

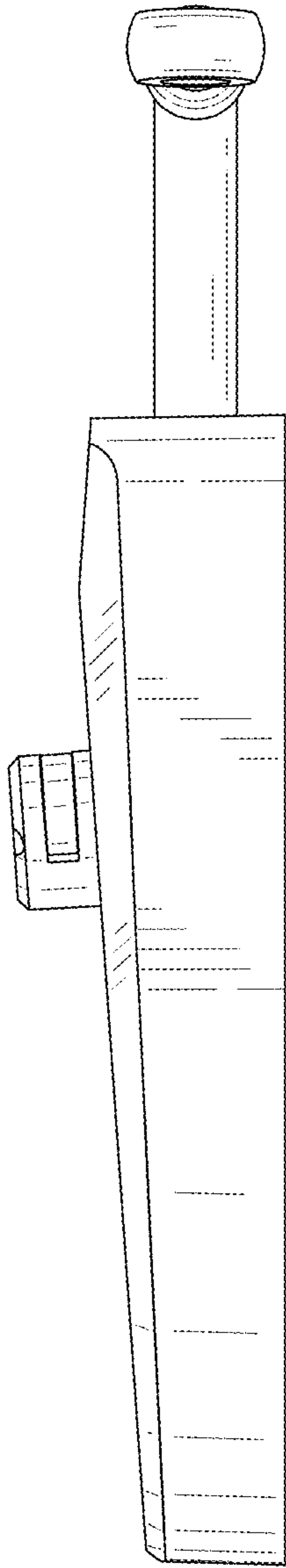


FIG. 6

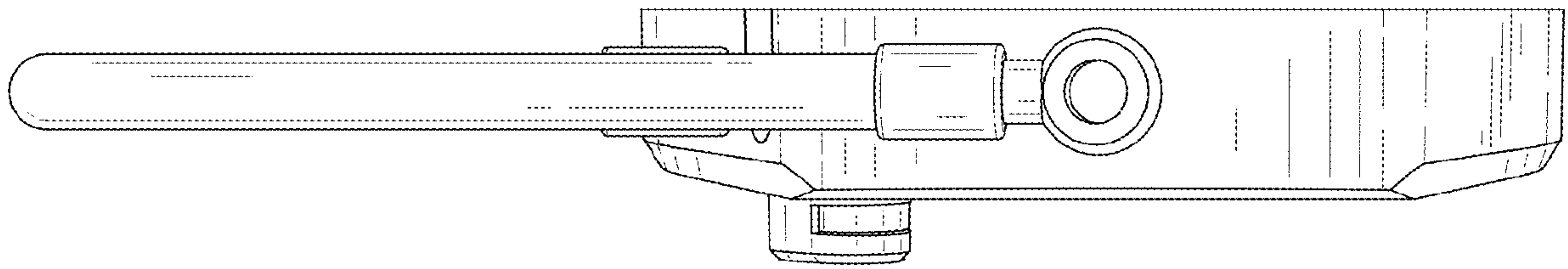


FIG. 7

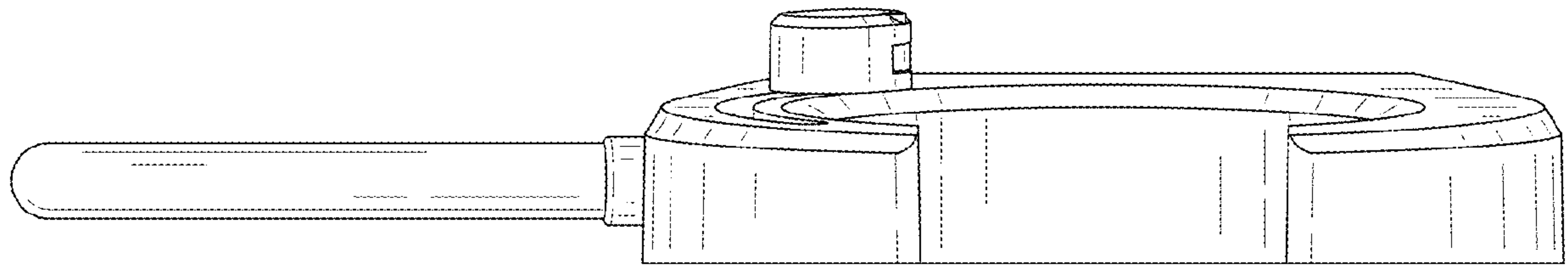


FIG. 8