



US00D964842S

(12) **United States Design Patent**  
**Sun**

(10) **Patent No.:** **US D964,842 S**

(45) **Date of Patent:** **\*\* Sep. 27, 2022**

(54) **CHILD SAFETY LOCK**

(71) Applicant: **Ningbo Beilun Jinjiu Cultural And Sport Products Co., Ltd, Ningbo (CN)**

(72) Inventor: **Dingyue Sun, Ningbo (CN)**

(73) Assignee: **Ningbo Beilun Jinjiu Cultural And Sport Products Co., Ltd, Ningbo (CN)**

(\*\*) Term: **15 Years**

(21) Appl. No.: **29/831,770**

(22) Filed: **Mar. 23, 2022**

(30) **Foreign Application Priority Data**

Oct. 15, 2021 (CN) ..... 202130676738.0

(51) **LOC (13) Cl.** ..... **08-07**

(52) **U.S. Cl.**  
USPC ..... **D8/331**

(58) **Field of Classification Search**

USPC ..... D8/71, 331, 333-334, 339, 347, 400  
CPC ..... E05B 65/0014; E05B 57/00; E05B 65/44;  
F25D 29/006; Y10S 292/65

See application file for complete search history.

(56) **References Cited**

**U.S. PATENT DOCUMENTS**

- 2,608,711 A \* 9/1952 Moore ..... F25D 23/028  
292/DIG. 28
- 3,059,952 A \* 10/1962 Wittman ..... E05C 19/18  
292/264
- 4,469,358 A \* 9/1984 Abbott ..... E05B 65/0014  
292/288
- D289,793 S \* 5/1987 Blake ..... D23/309
- 4,715,629 A \* 12/1987 Robinson ..... F25D 29/006  
292/288
- 5,328,434 A \* 7/1994 Carroll ..... A63B 23/0211  
482/148

- 5,810,404 A \* 9/1998 Horne ..... E05C 19/182  
292/288
- 5,908,213 A \* 6/1999 Tippetts ..... E05C 19/184  
292/288
- D625,579 S \* 10/2010 Lee ..... D8/349

(Continued)

**OTHER PUBLICATIONS**

“Nefficar Child Safety Locks”, May 30, 2019, YouTube.com, site visited Jul. 27, 2022: [https://www.youtube.com/watch?v=8\\_TLzp8zhx4](https://www.youtube.com/watch?v=8_TLzp8zhx4) (Year: 2019).\*

(Continued)

*Primary Examiner* — Jack Reickel

*Assistant Examiner* — Michael A Kervin

(74) *Attorney, Agent, or Firm* — Zhihua Han

(57) **CLAIM**

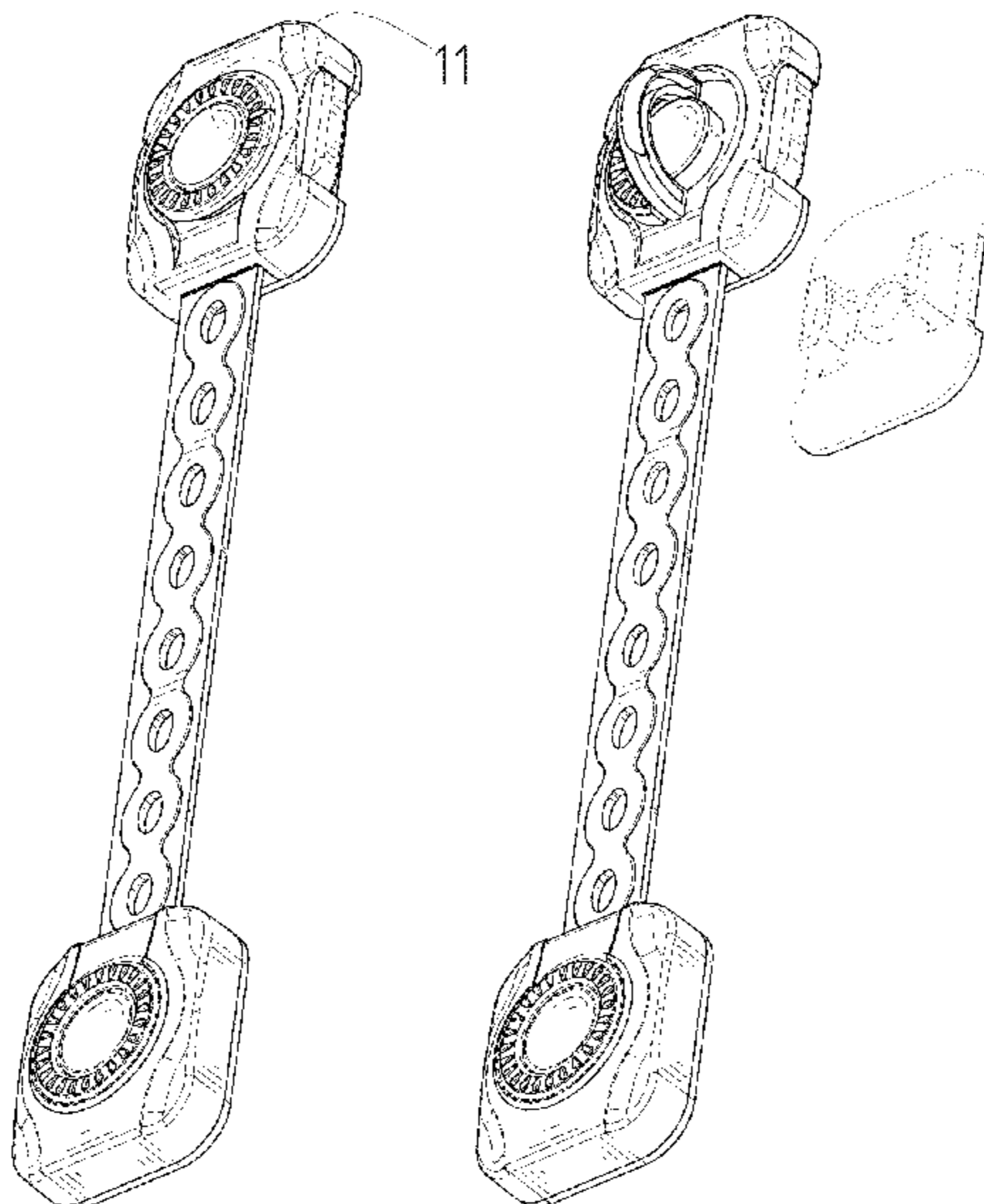
The ornamental design for a child safety lock, as shown and described.

**DESCRIPTION**

FIG. 1 is a first perspective view of a child safety lock showing my new design;  
 FIG. 2 is a second perspective view thereof;  
 FIG. 3 is a front view thereof;  
 FIG. 4 is a back view thereof;  
 FIG. 5 is a left side view thereof;  
 FIG. 6 is a right side view thereof;  
 FIG. 7 is a top view thereof;  
 FIG. 8 is a bottom view thereof;  
 FIG. 9 is a perspective view of another state of the child safety lock thereof;  
 FIG. 10 is a perspective view of another state of the child safety lock thereof; and,  
 FIG. 11 is an enlarged view of the selected portion 11 in FIG. 1.

The broken lines shown in the drawings depict portions of the child safety lock that form no part of the claimed design.

**1 Claim, 11 Drawing Sheets**



(56)

**References Cited**

U.S. PATENT DOCUMENTS

D639,137	S	6/2011	Ray, II	
D721,569	S	1/2015	Ziegler	
D780,554	S *	3/2017	Marsden .....	D8/330
D792,129	S *	7/2017	Best .....	D6/624
D803,026	S *	11/2017	Herskovitz .....	D8/331
D836,419	S *	12/2018	Marsden .....	D8/343
D837,687	S *	1/2019	Marsden .....	D11/216
D883,772	S *	5/2020	Maraia .....	D8/356
D890,596	S *	7/2020	Piggott .....	D8/331
D899,891	S *	10/2020	Xie .....	D8/330
D901,280	S	11/2020	Jin	
D941,117	S *	1/2022	Rampen .....	F16M 11/16
				D8/339
2013/0081434	A1 *	4/2013	Grant .....	E05B 47/026
				70/1.5

OTHER PUBLICATIONS

“How to Install Baby Proofing Child Safety Cabinet & Drawer Locks”, Dec. 17, 2020, YouTube.com, site visited Jul. 27, 2022: <https://www.youtube.com/watch?v=sFsIWYITI38> (Year: 2020).\*

\* cited by examiner

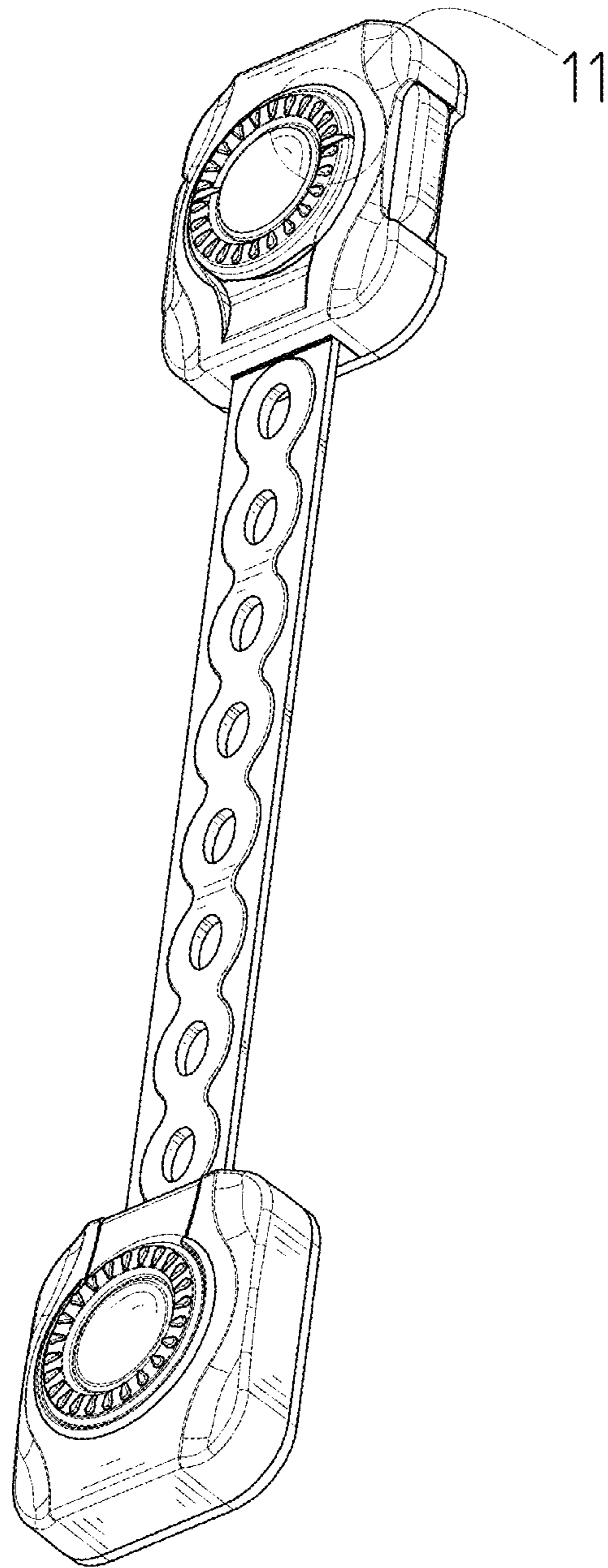


FIG. 1

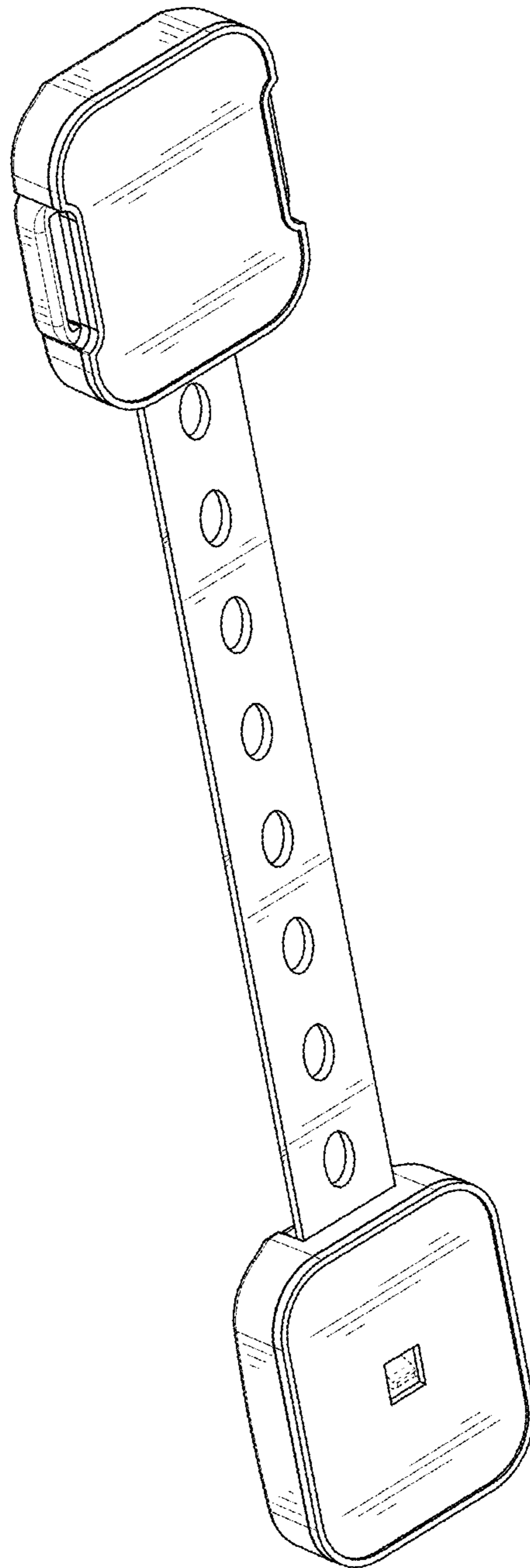


FIG. 2

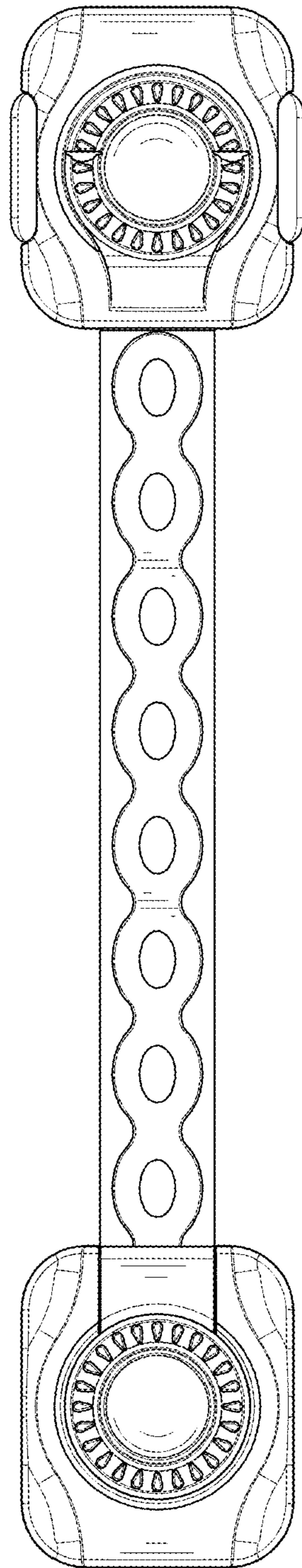


FIG. 3

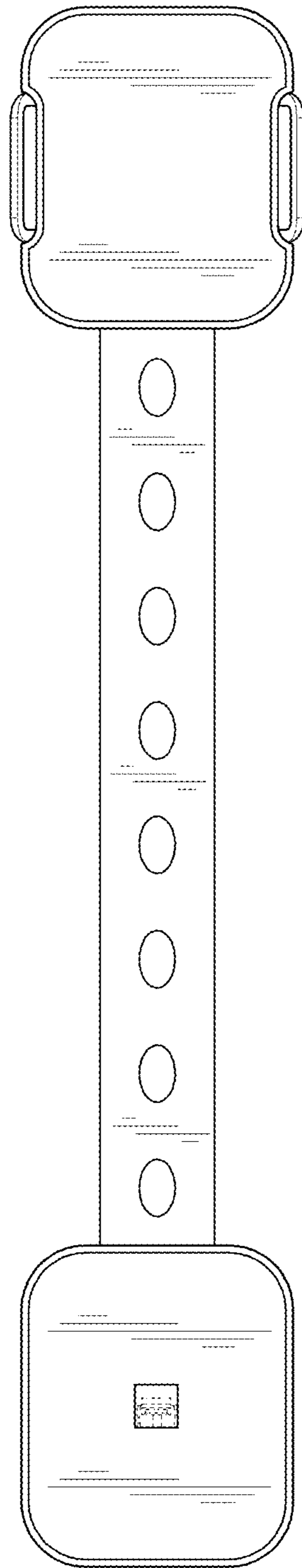


FIG. 4

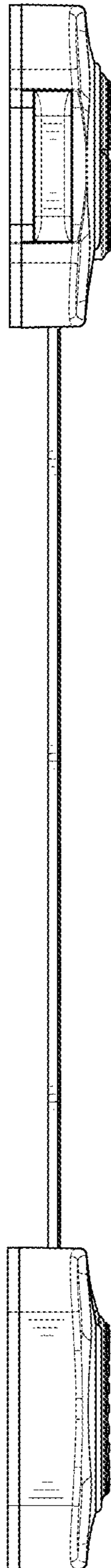


FIG. 5

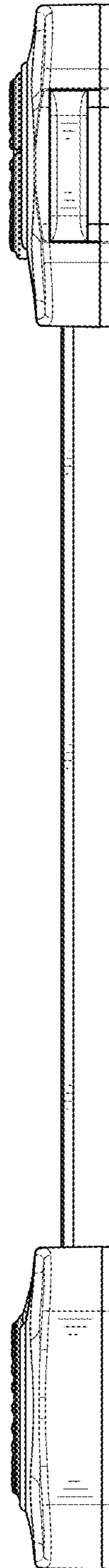


FIG. 6



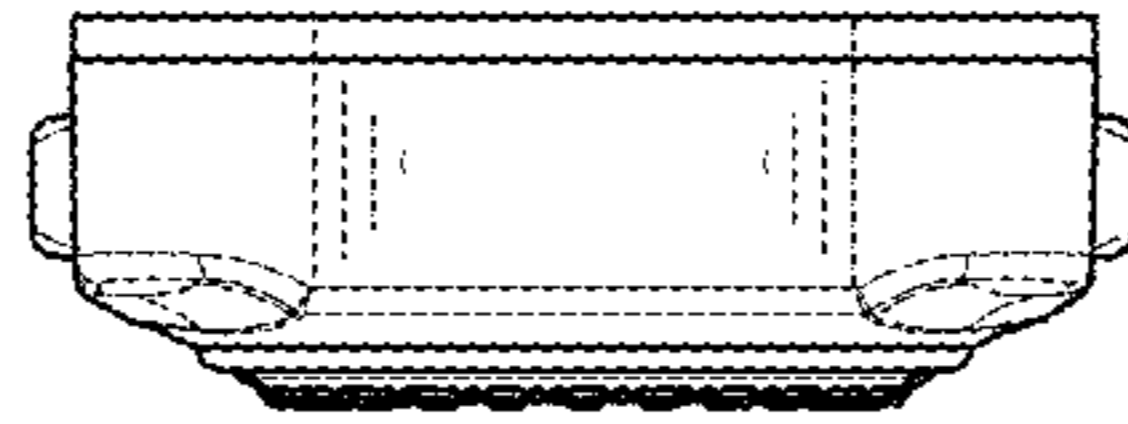


FIG. 7

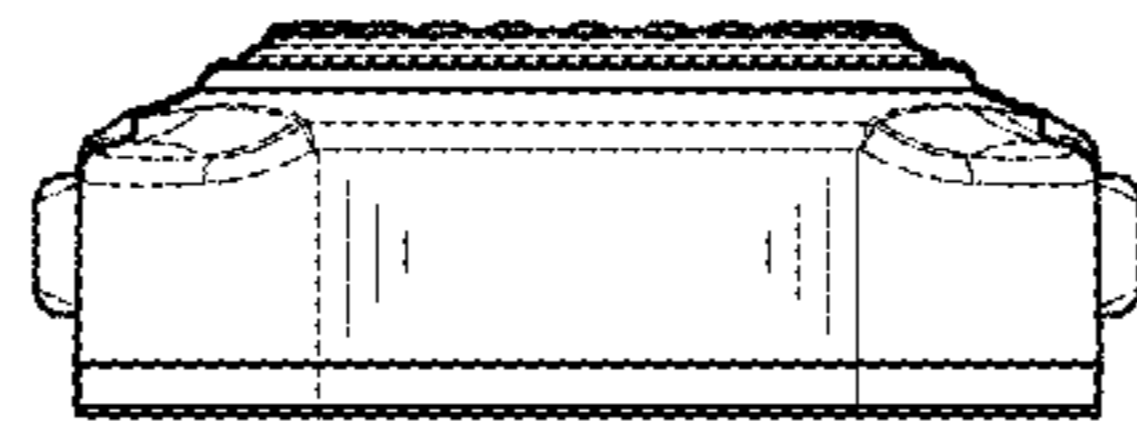


FIG. 8

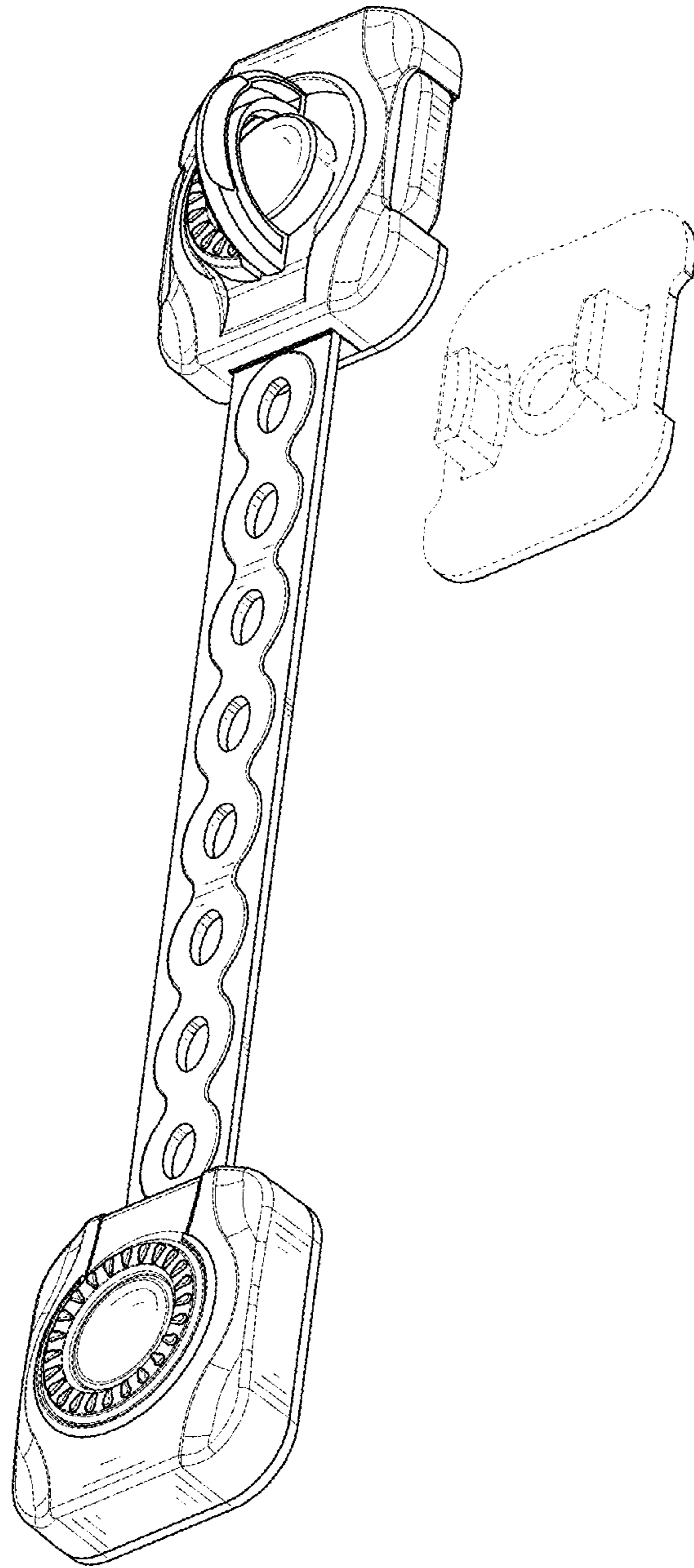


FIG. 9

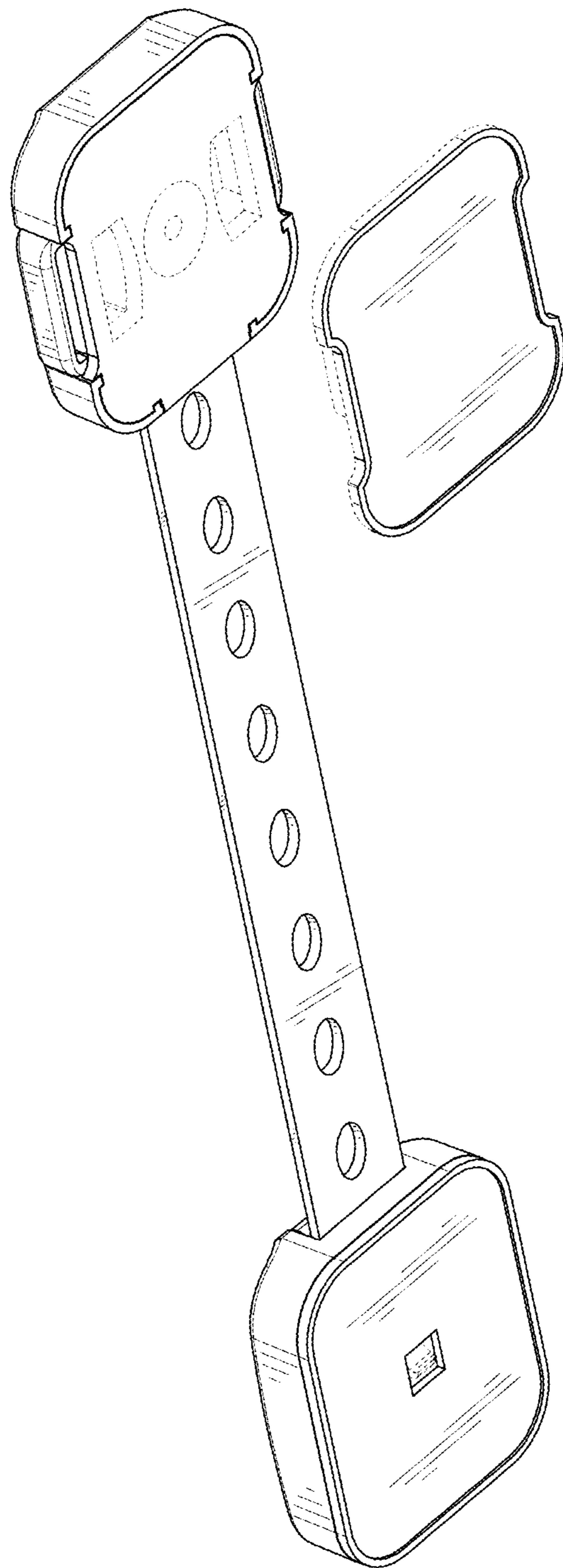


FIG. 10

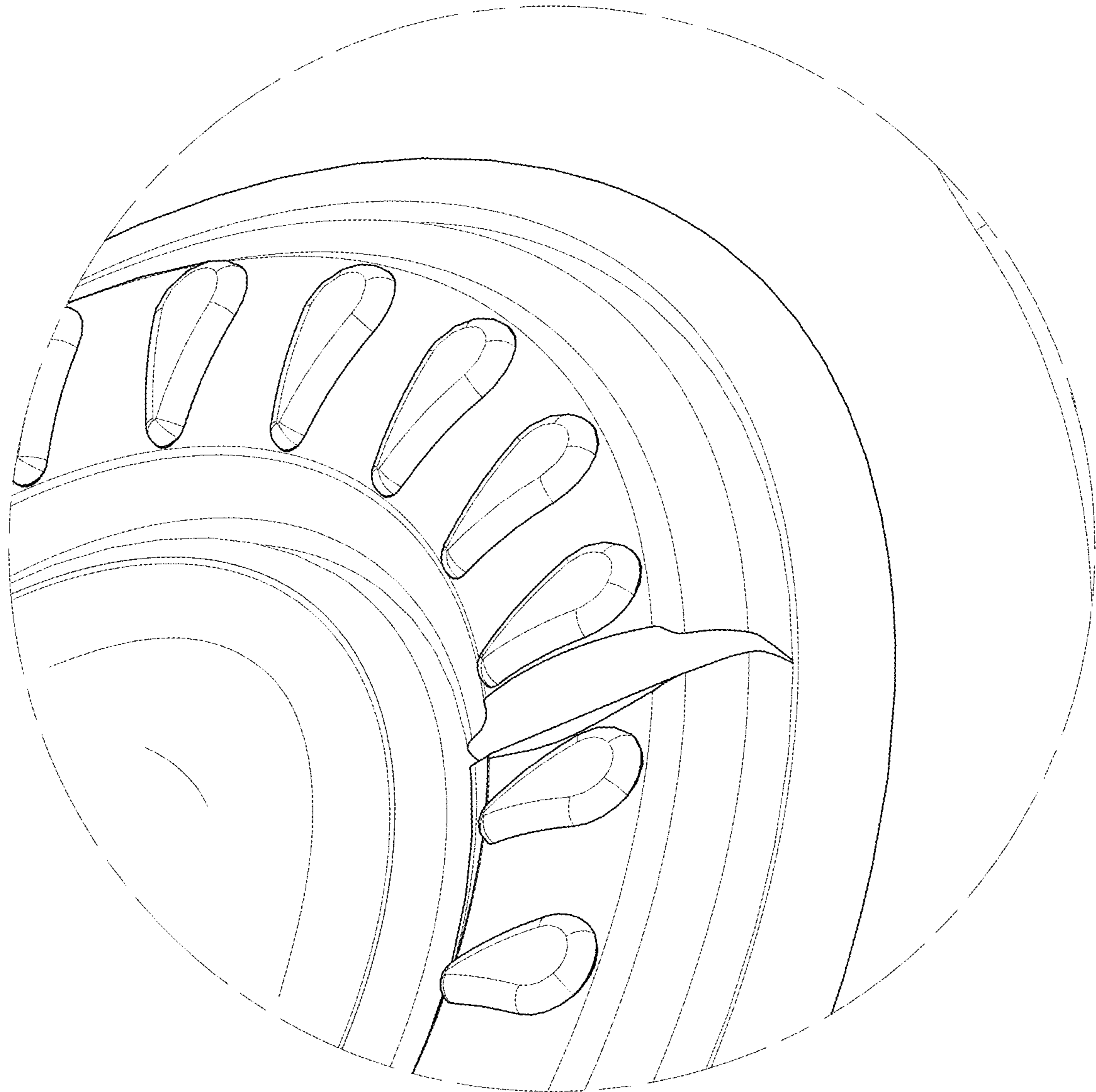


FIG. 11