

US00D964841S

(12) **United States Design Patent** (10) **Patent No.:** **US D964,841 S**
Perez-Castro et al. (45) **Date of Patent:** **** Sep. 27, 2022**

(54) **HOOD LATCH**

(71) Applicant: **OMIX-ADA, INC.**, Ann Arbor, MI (US)

(72) Inventors: **Elvis Isai Perez-Castro**, Avondale Estates, GA (US); **Eric Lance Russell**, Lilburn, GA (US); **Adam Paul Garrison**, Maysville, GA (US)

(73) Assignee: **OMIX-ADA, INC.**, Ann Arbor, MI (US)

(**) Term: **15 Years**

(21) Appl. No.: **29/774,311**

(22) Filed: **Mar. 16, 2021**

(51) **LOC (13) Cl.** **08-07**

(52) **U.S. Cl.**
USPC **D8/331**

(58) **Field of Classification Search**
USPC D8/308, 331, 336, 338-339; D12/190
CPC E05C 19/14; Y10S 292/49; Y10S 292/14
See application file for complete search history.

(56) **References Cited**

U.S. PATENT DOCUMENTS

4,540,206	A *	9/1985	Frame	E05C 19/14 292/DIG. 60
4,801,165	A *	1/1989	Pyle	E05C 19/14 292/249
D367,218	S	2/1996	Ford et al.		
D371,953	S	7/1996	Ford et al.		
D371,954	S	7/1996	Ford et al.		
D374,806	S	10/1996	Ford et al.		
D377,141	S *	1/1997	Ford	D8/331
5,607,195	A *	3/1997	Antonucci	E05C 19/06 403/66
5,624,142	A	4/1997	Watson et al.		
D380,369	S *	7/1997	Antonucci	D8/342
5,992,908	A *	11/1999	Yared	E05C 3/06 292/DIG. 31

D424,406	S	5/2000	Frey		
D429,618	S *	8/2000	Tieu	D8/331
6,257,631	B1 *	7/2001	Sokurenko	E05C 19/14 292/DIG. 49
D454,292	S *	3/2002	Plummer	D8/331
D533,434	S *	12/2006	Riblett	D8/343
D548,565	S *	8/2007	Vickers	D8/331
D692,290	S *	10/2013	Stanesc	D8/331
D778,707	S	2/2017	Tonelli		

(Continued)

OTHER PUBLICATIONS

“DNA Motoring HOODL-JW97 Pair of Hood Latches”, Dec. 14, 2017, Amazon.com, site visited Jul. 13, 2022: <https://www.amazon.com/DNA-MOTORING-HOODL-JW97-Latches-Wrangler/dp/B07886JB25> (Year: 2017).*

(Continued)

Primary Examiner — Jack Reickel

Assistant Examiner — Michael A Kervin

(74) *Attorney, Agent, or Firm* — The Dobrusin Law Firm, P.C.

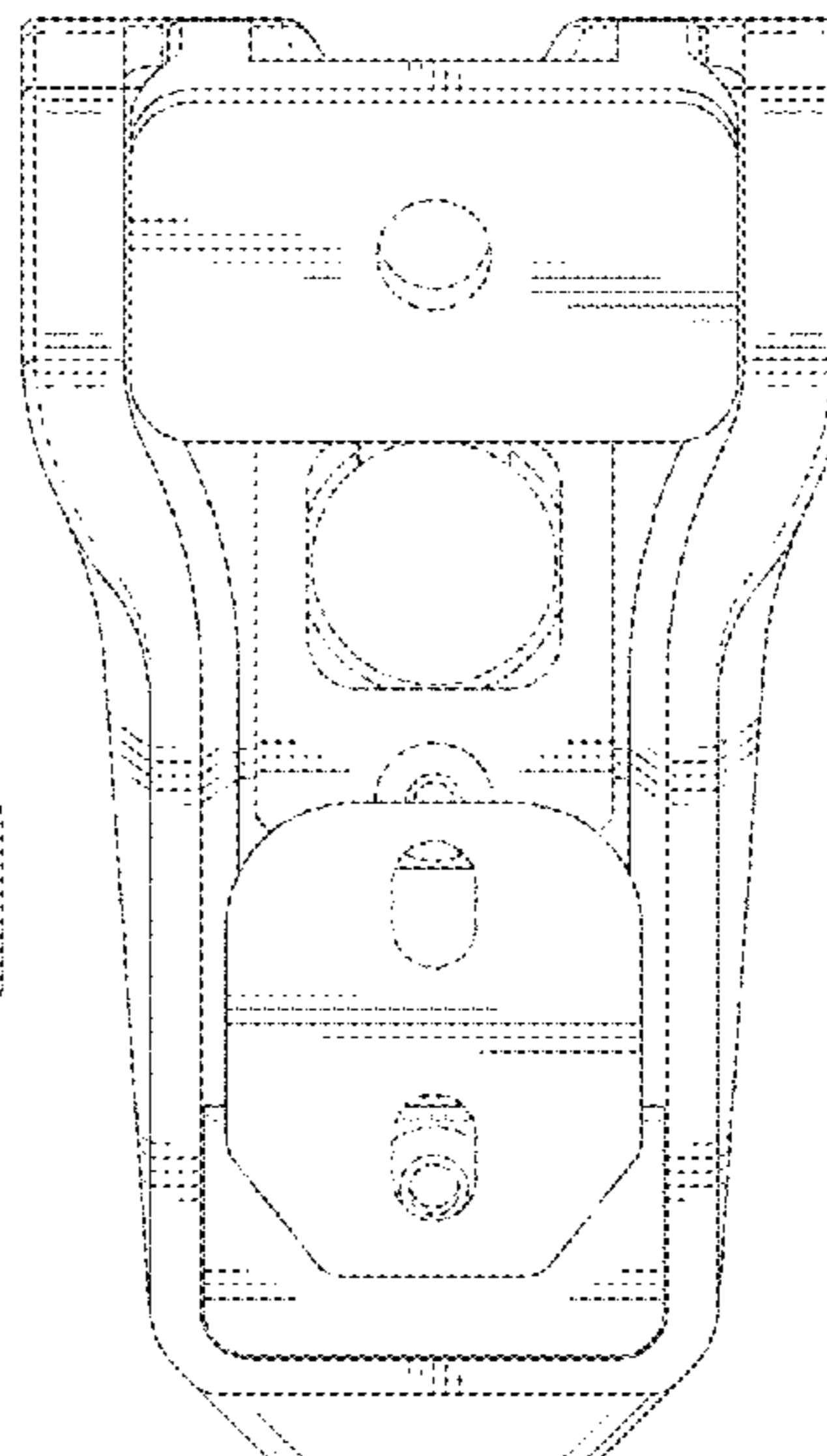
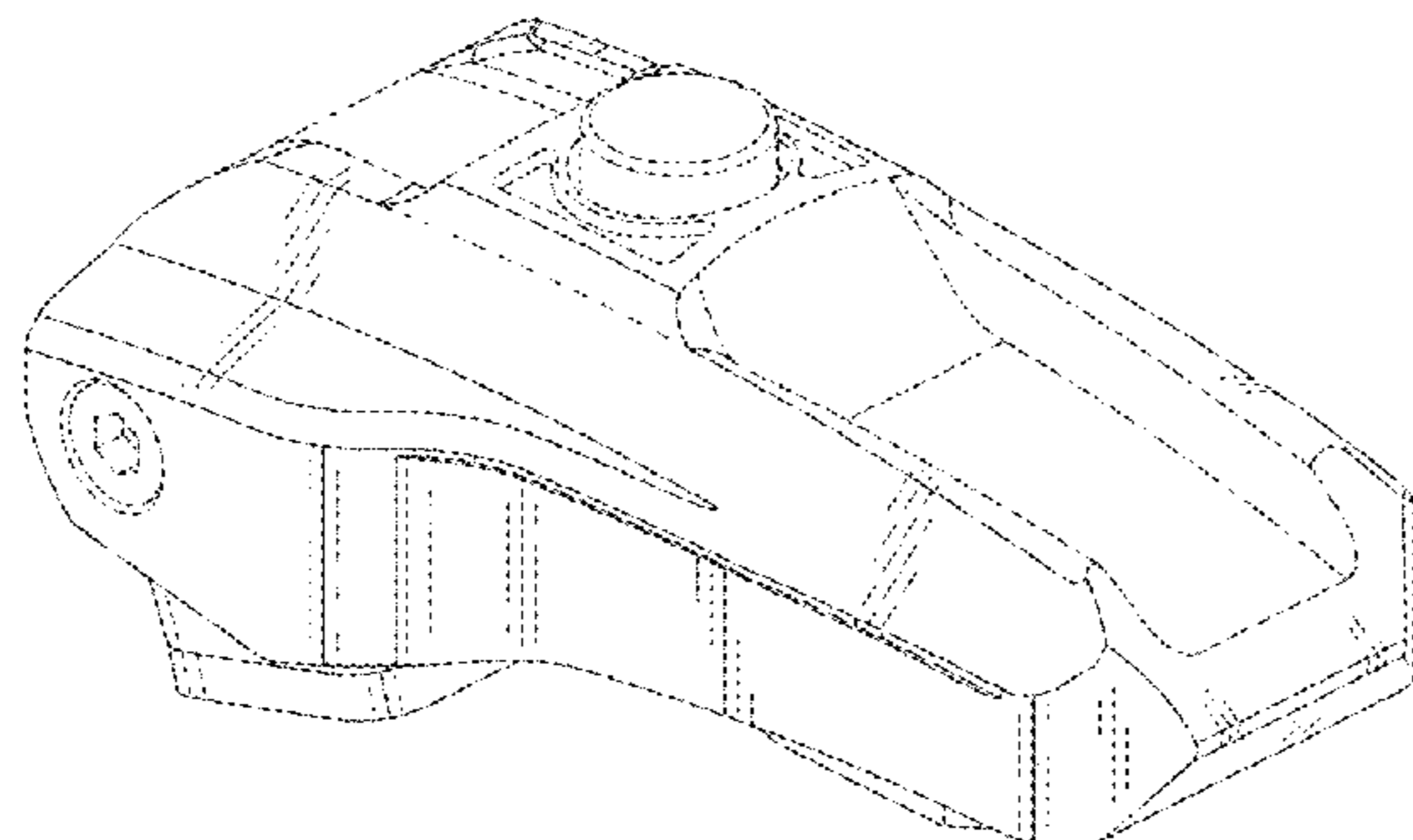
(57) **CLAIM**

The ornamental design for a hood latch, as shown and described.

DESCRIPTION

FIG. 1 is a perspective view of a hood latch showing our new design;
FIG. 2 is a top view thereof;
FIG. 3 is a bottom view thereof;
FIG. 4 is a side view thereof;
FIG. 5 is another side view thereof;
FIG. 6 is a front view thereof; and,
FIG. 7 is a back view thereof.
In the drawings, broken lines depict portions of the hood latch that form no part of the claimed design.

1 Claim, 6 Drawing Sheets



(56)

References Cited

U.S. PATENT DOCUMENTS

D784,112 S * 4/2017 Onorato D8/336
9,765,555 B2 9/2017 Evans et al.
D835,552 S * 12/2018 Goodrich D12/190
D840,270 S 2/2019 Goodrich et al.
D840,271 S 2/2019 Goodrich et al.
D844,523 S * 4/2019 Goodrich D12/169
D900,588 S * 11/2020 Rolfs D8/331
D922,176 S * 6/2021 Bullock B65D 81/3834
D8/336
2016/0053518 A1* 2/2016 Evans E05B 83/243
292/336.3
2019/0112844 A1* 4/2019 Ford E05B 17/10
2020/0087958 A1* 3/2020 Siiskonen E05B 13/10

OTHER PUBLICATIONS

“JL Original Black Stainless Steel Latch Locking Hood Catch Kit”,
Sep. 12, 2018, Amazon.com, site visited Jul. 13, 2022: <https://www.amazon.com/Wrangler-Original-Stainless-Locking-2007-2018/dp/B07H94WH72> (Year: 2018).*

“Rugged Ridge 11210.32 Gen 2 Aluminum Locking Hood Catches”,
Mar. 3, 2022, Amazon.com, site visited Jul. 13, 2022: <https://www.amazon.com/Rugged-Ridge-11210-32-2007-2022-Gladiator/dp/B09TTYQ2GN> (Year: 2022).*

* cited by examiner

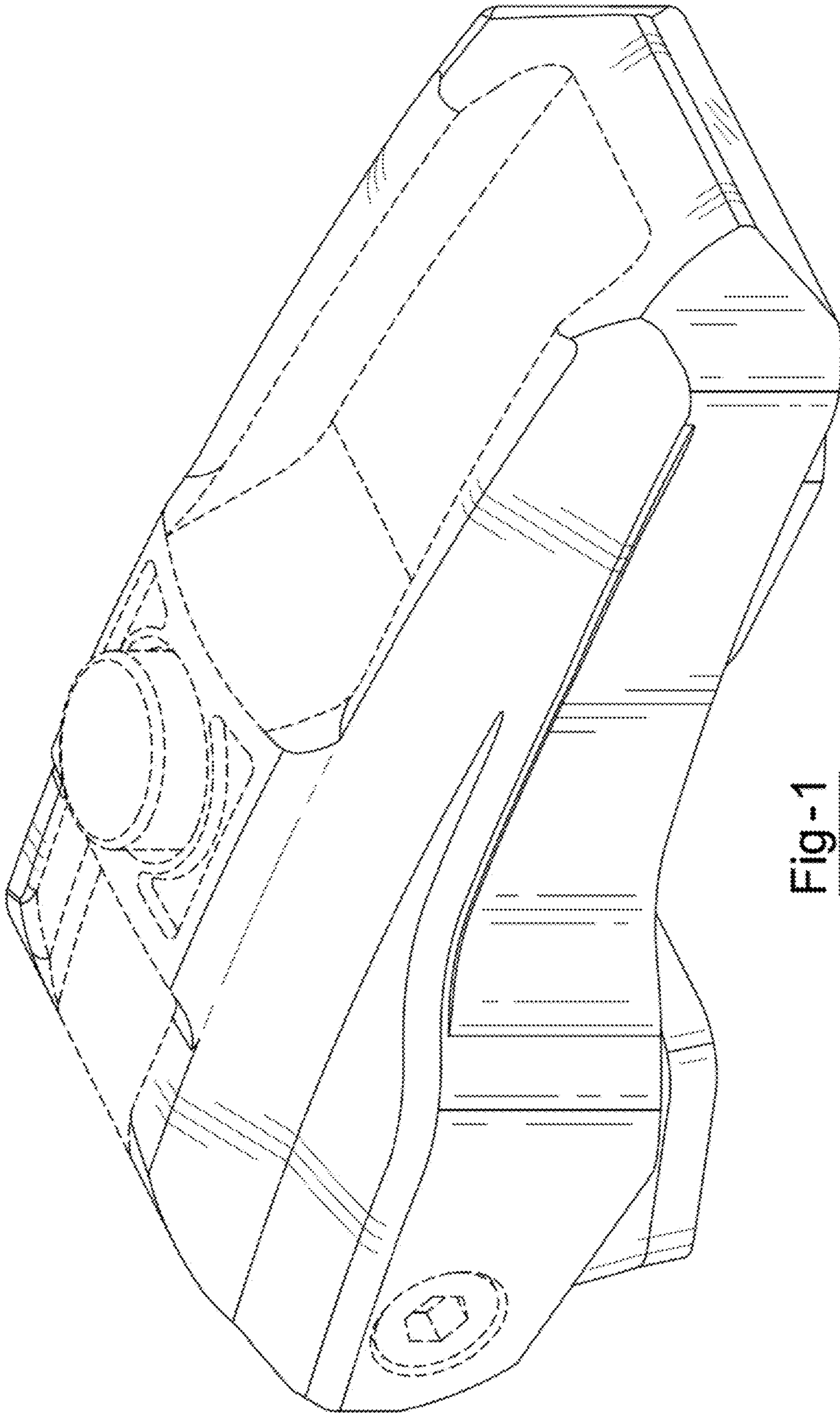


Fig-1

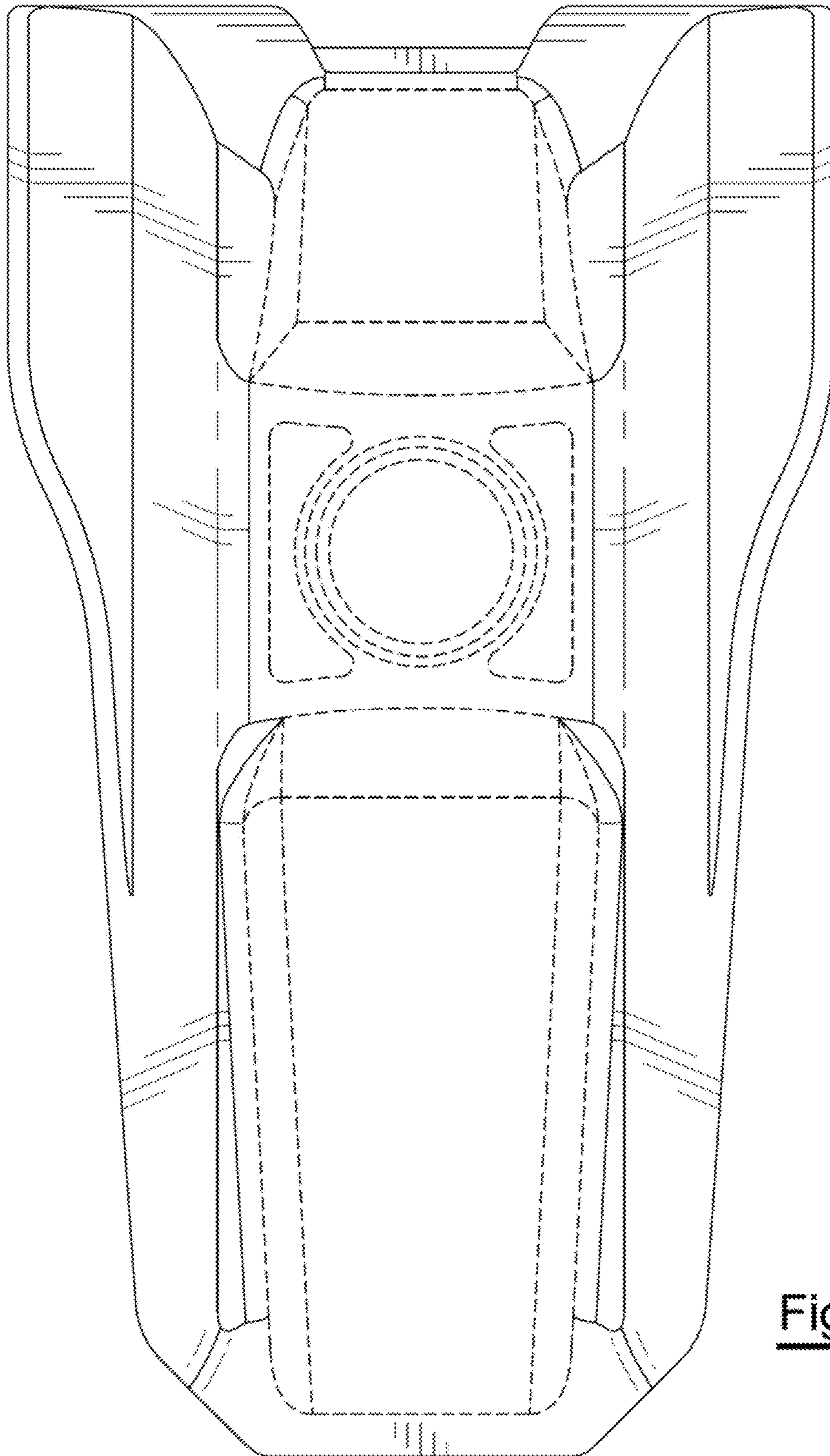


Fig-2

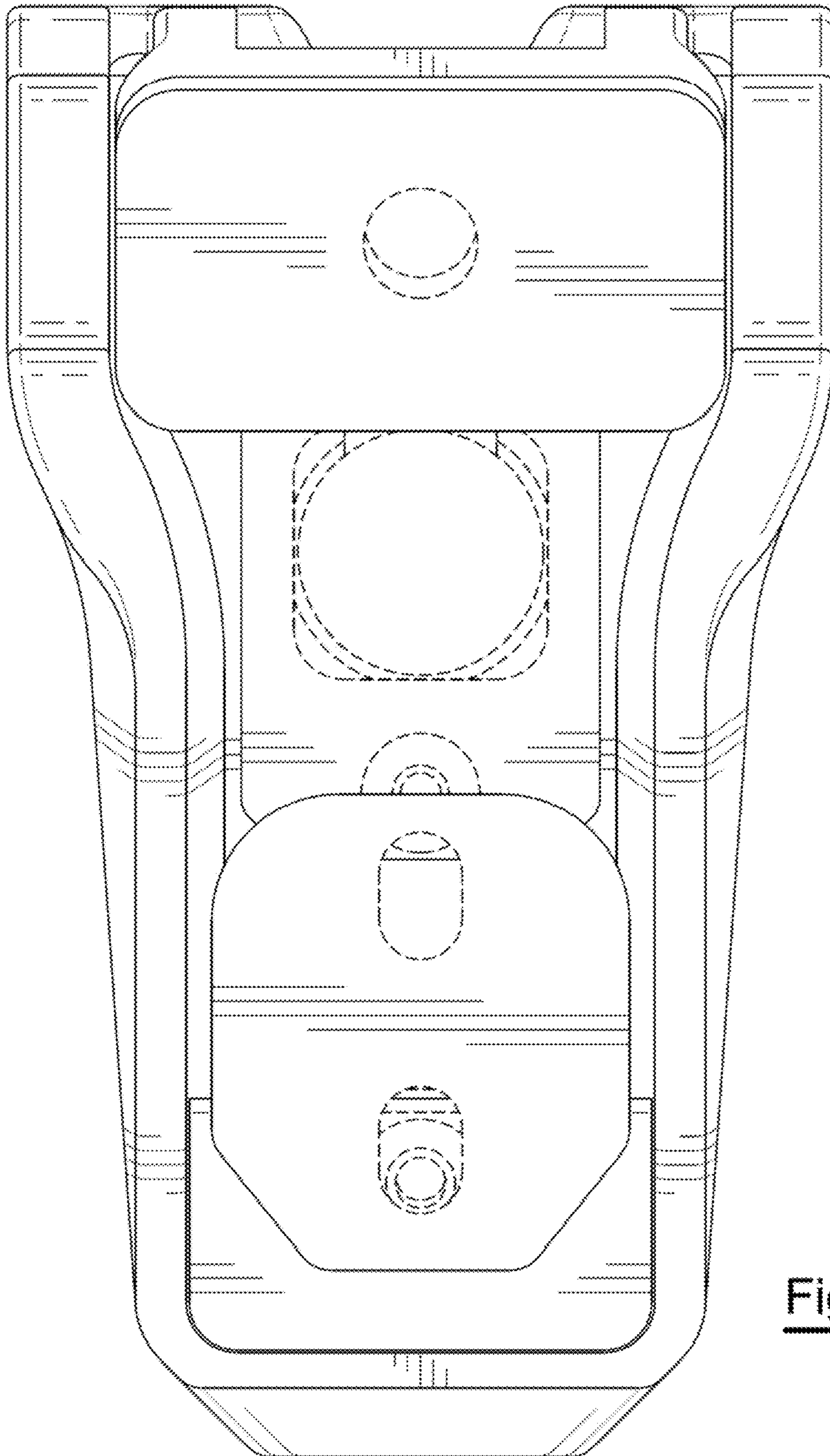


Fig-3

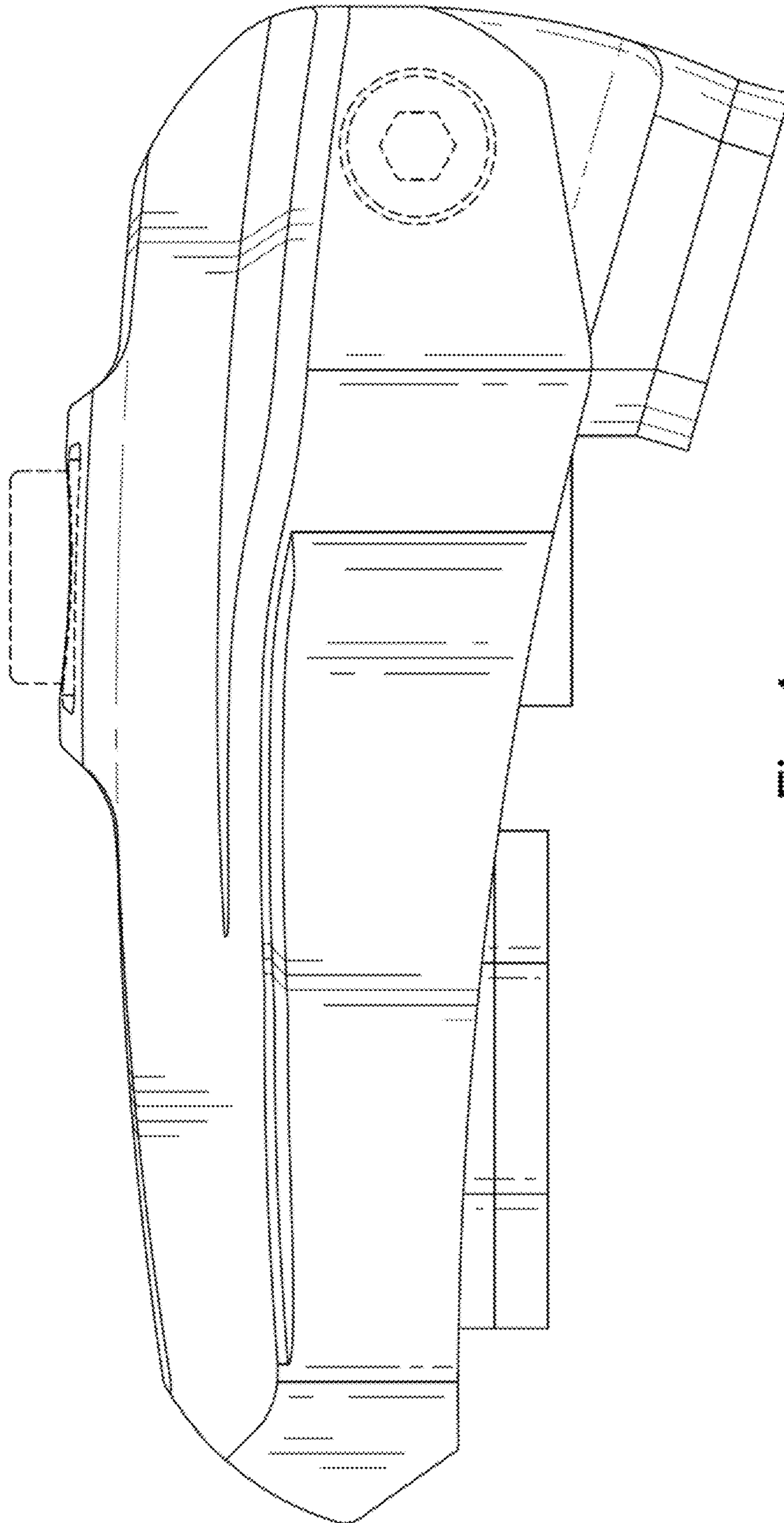


Fig -4

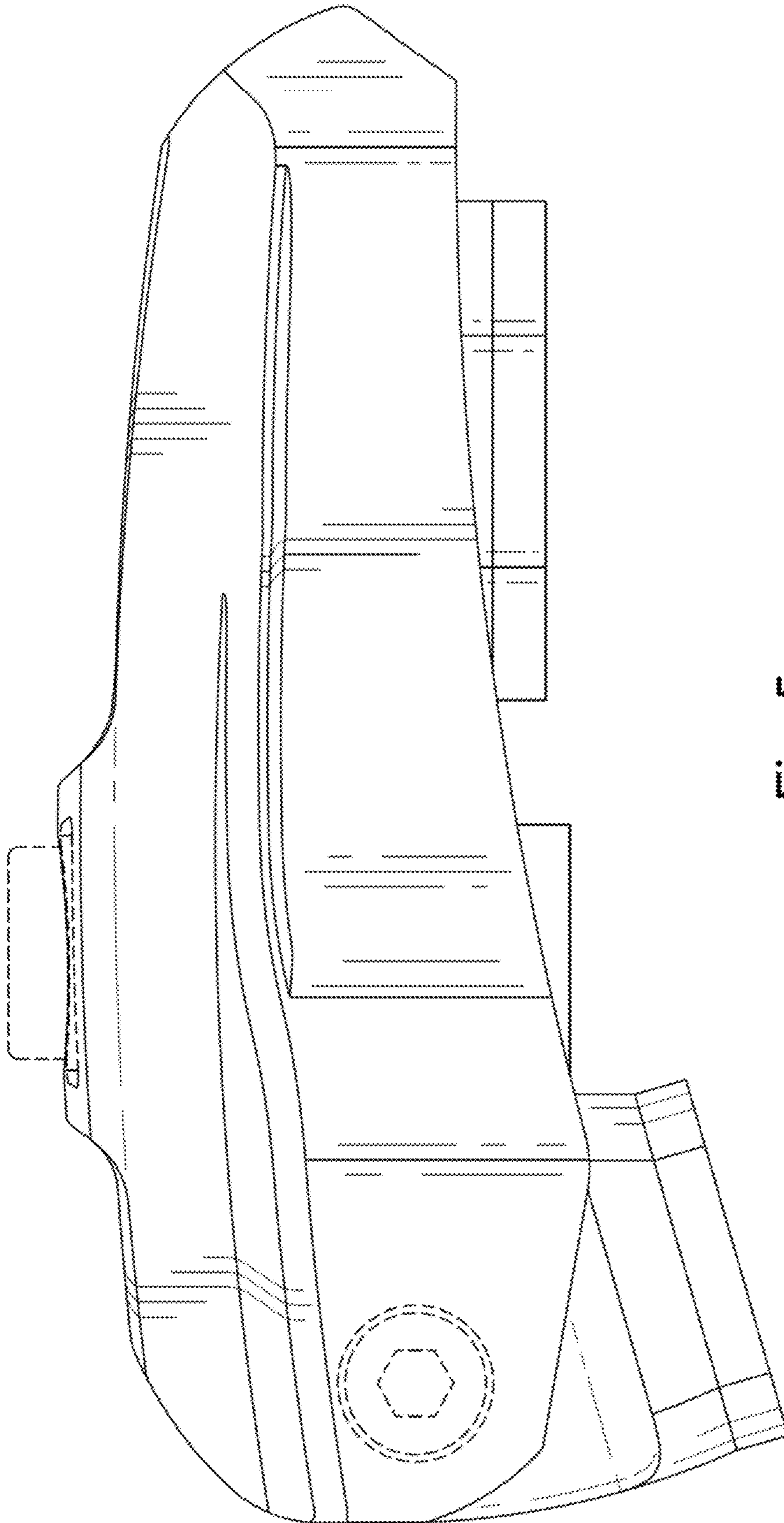


Fig - 5

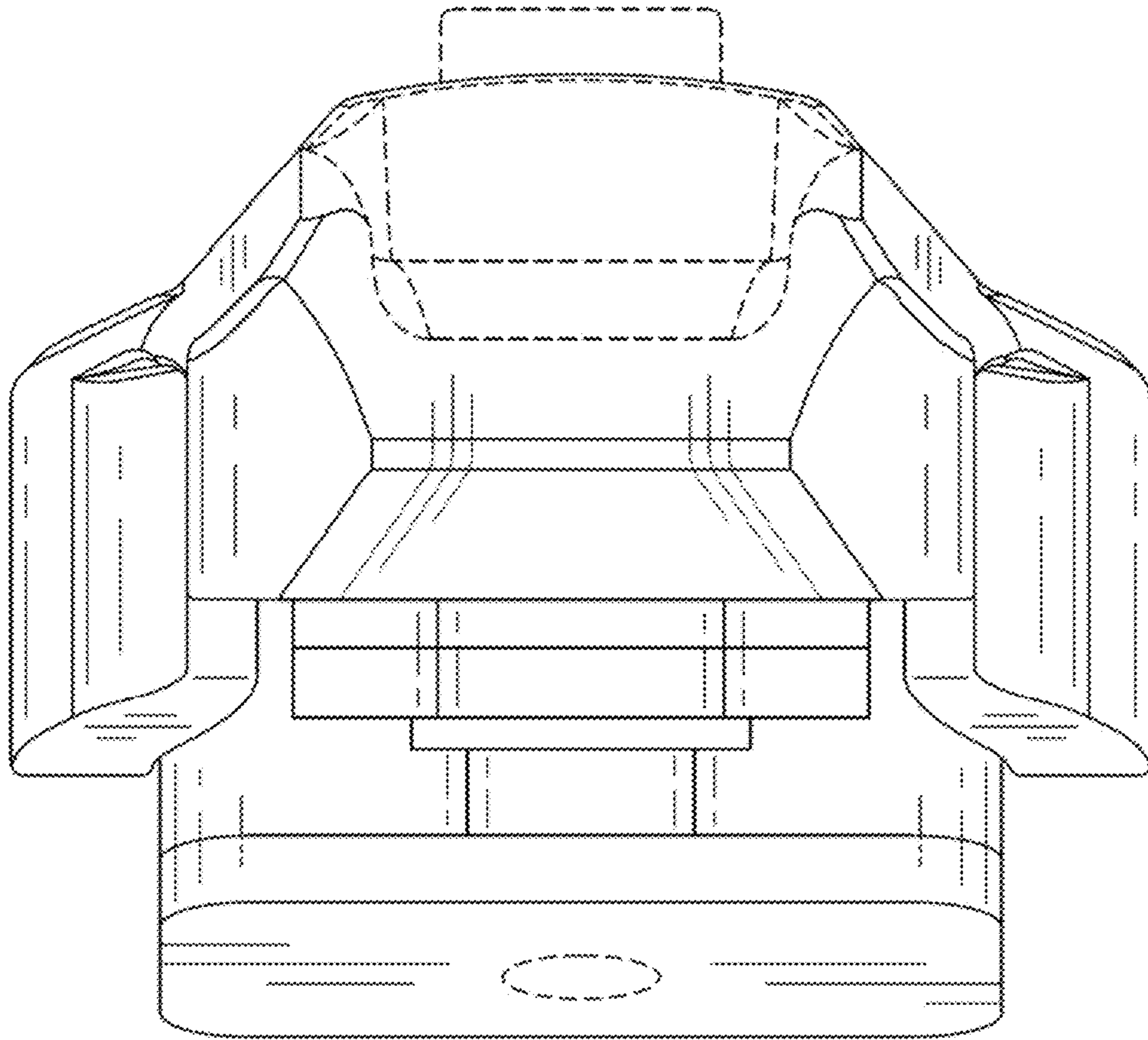


Fig -6

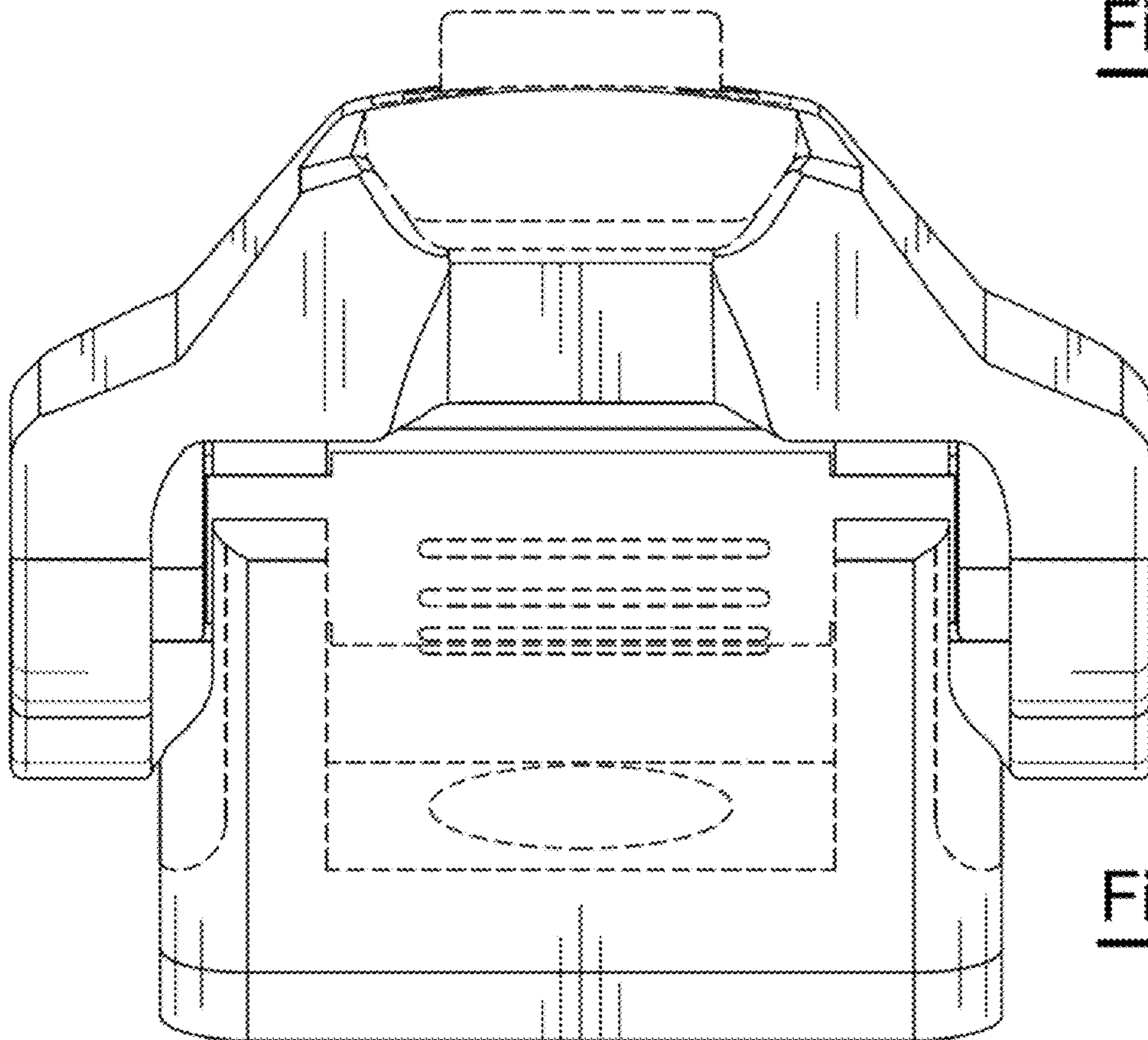


Fig -7