



US00D964840S

(12) **United States Design Patent** (10) **Patent No.:** **US D964,840 S**
Richardson (45) **Date of Patent:** **** Sep. 27, 2022**

(54) **BELT WHIP HANDLE**
(71) Applicant: **Donald George Richardson,**
Henderson, NV (US)
(72) Inventor: **Donald George Richardson,**
Henderson, NV (US)
(**) Term: **15 Years**

D300,851 S *	4/1989	Grieshaber	D24/133
D341,682 S *	11/1993	Musetti	D30/153
D375,994 S *	11/1996	Collins	D22/117
D550,841 S *	9/2007	Berci	D24/133
D708,038 S *	7/2014	Edson	D8/300
D883,767 S *	5/2020	Hoyos Ariza	D8/307
D896,057 S *	9/2020	Cesin	D8/107
2011/0130207 A1 *	6/2011	Hasenyager	F41B 15/02 463/47.2
2013/0180084 A1 *	7/2013	Edson	B25G 1/102 16/430

(21) Appl. No.: **29/832,696**
(22) Filed: **Mar. 29, 2022**
(51) **LOC (13) Cl.** **08-06**
(52) **U.S. Cl.**
USPC **D8/307; D22/117**
(58) **Field of Classification Search**
USPC D8/107, 300, 303, 307; D15/142;
D7/393, 395; D21/133; D28/9, 62;
D22/117
CPC Y10T 16/44; Y10T 74/20612; Y10T
74/20287; Y10T 74/20732; Y10T
74/20828; Y10T 16/466; Y10T 74/20864;
Y10T 16/469; Y10T 74/20822; Y10T
16/4713; Y10T 74/20396; B25B 23/16;
B25G 1/102; B25G 1/105; B25G 1/10;
B25G 1/00; B25G 1/063; B25G 1/005;
B25G 1/01; B25G 1/043; B25G 1/085;
F41B 7/043; F41B 15/00
See application file for complete search history.

* cited by examiner

Primary Examiner — Lauren R Calve
(74) *Attorney, Agent, or Firm* — QuickPatents, LLC;
Kevin Prince

(57) **CLAIM**

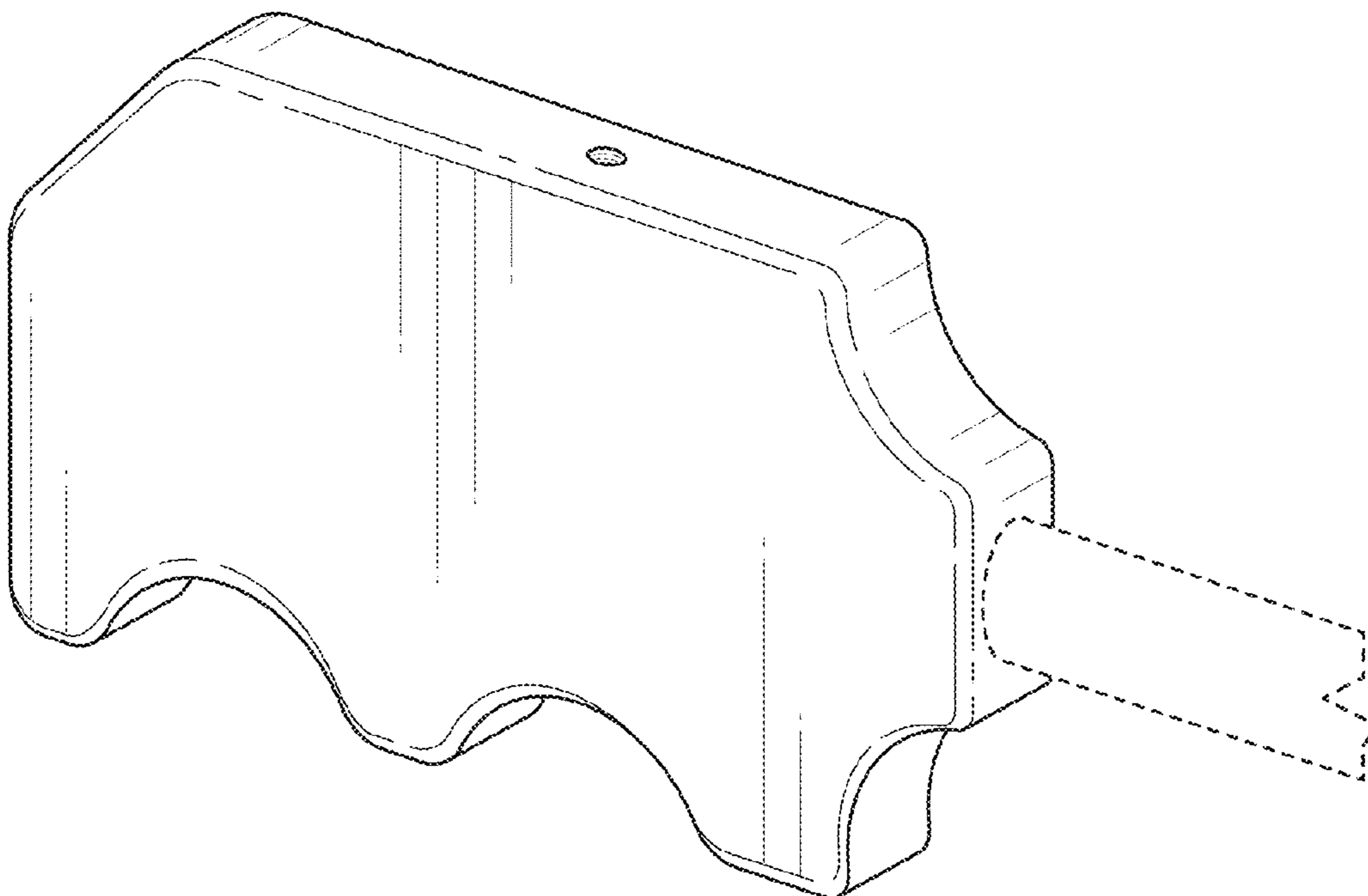
The ornamental design for a belt whip handle, as shown and described.

DESCRIPTION

FIG. 1 is a perspective view of a belt whip handle, showing my new design in use;
FIG. 2 is a front elevational view of the belt whip handle;
FIG. 3 is a rear elevational view thereof;
FIG. 4 is a top plan view thereof;
FIG. 5 is a bottom plan view thereof;
FIG. 6 is a left-side elevational view thereof, the right-side elevational view being a mirror image thereof; and,
FIG. 7 is a cross-sectional view thereof, taken along line 7--7 of FIG. 4.
The broken lines showing a portion of a whip in FIG. 1 depict environmental matter and form no part of the claimed design.

(56) **References Cited**
U.S. PATENT DOCUMENTS
D214,786 S * 7/1969 Meiluta D8/307
4,391,226 A * 7/1983 Guthrie A01K 27/005
119/797

1 Claim, 4 Drawing Sheets



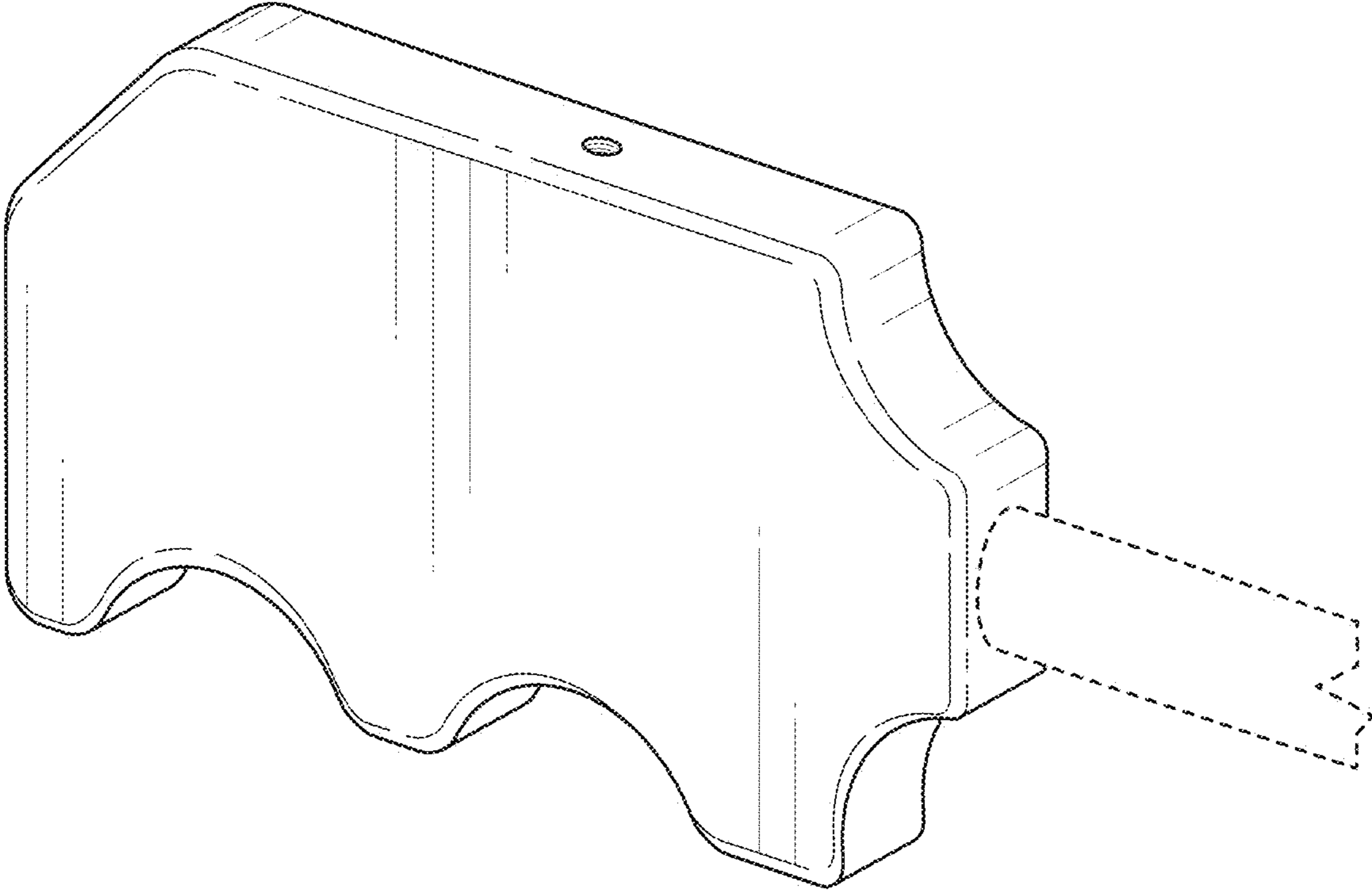


FIG. 1

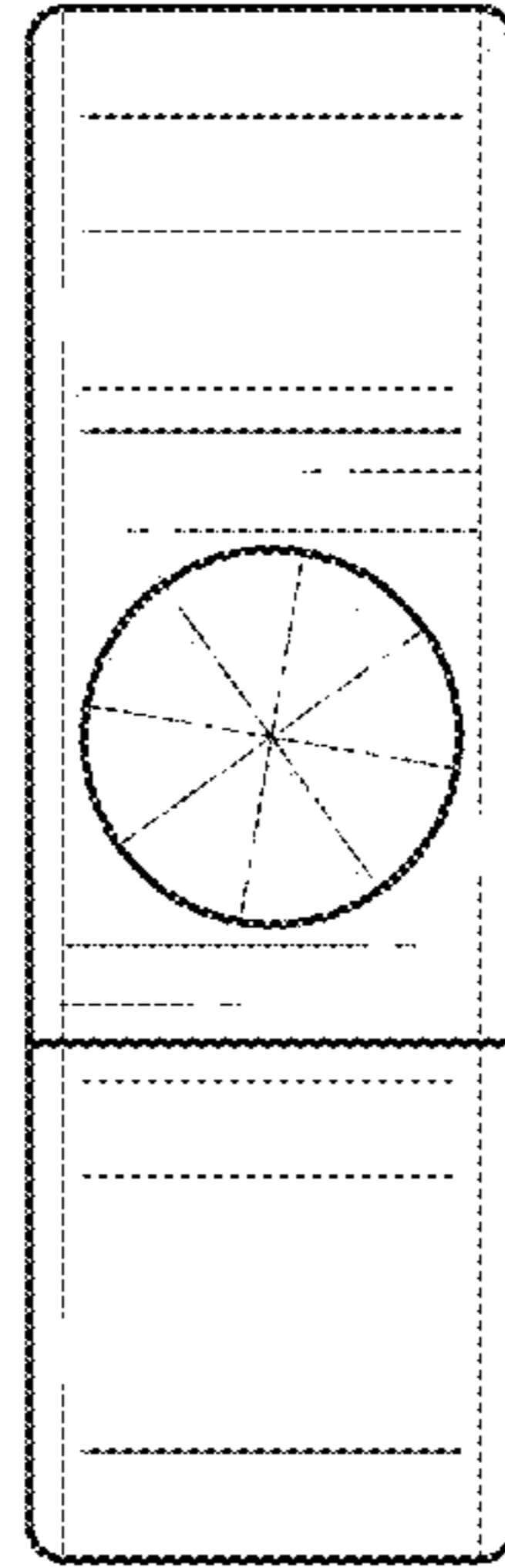


FIG. 2

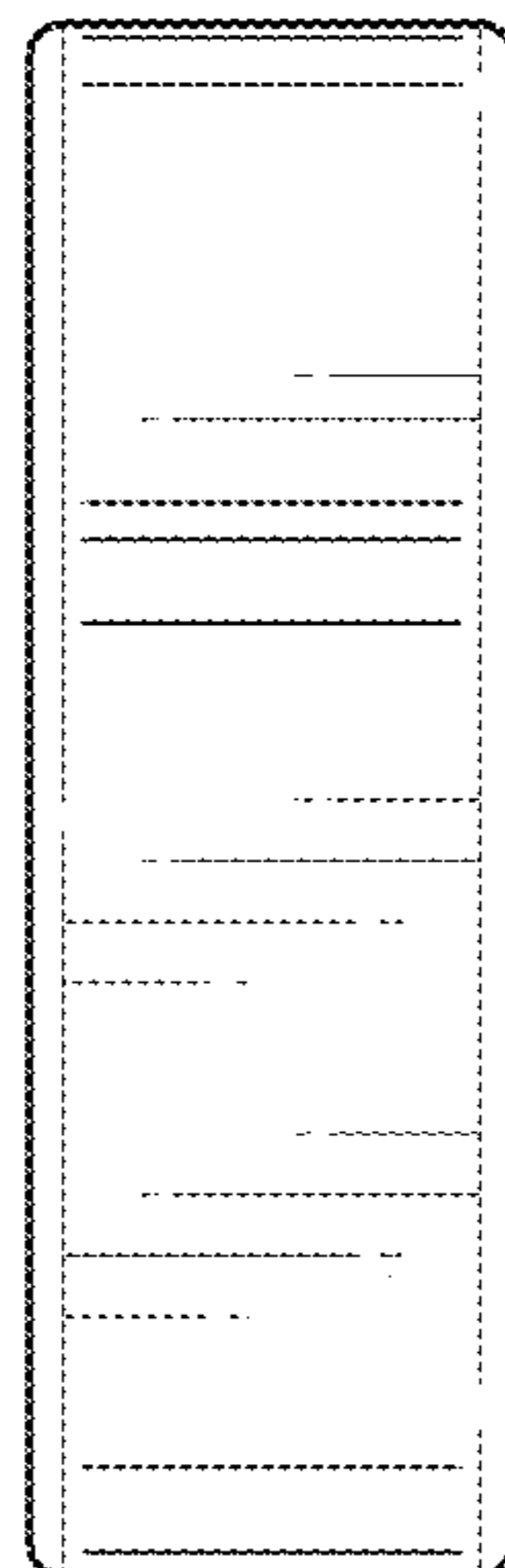
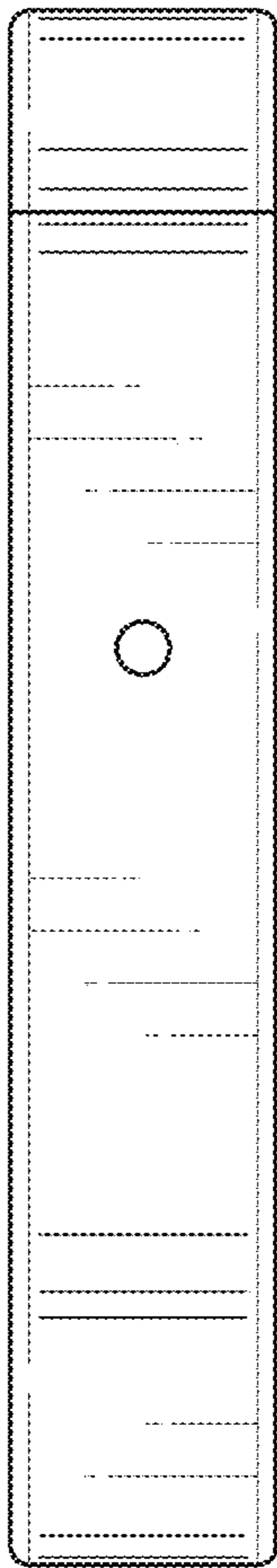


FIG. 3

7 ←



7 ←

FIG. 4

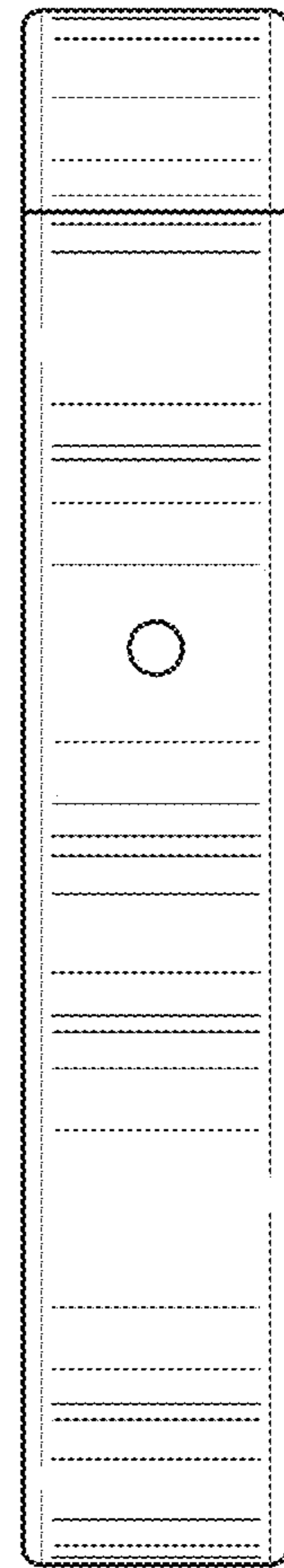


FIG. 5

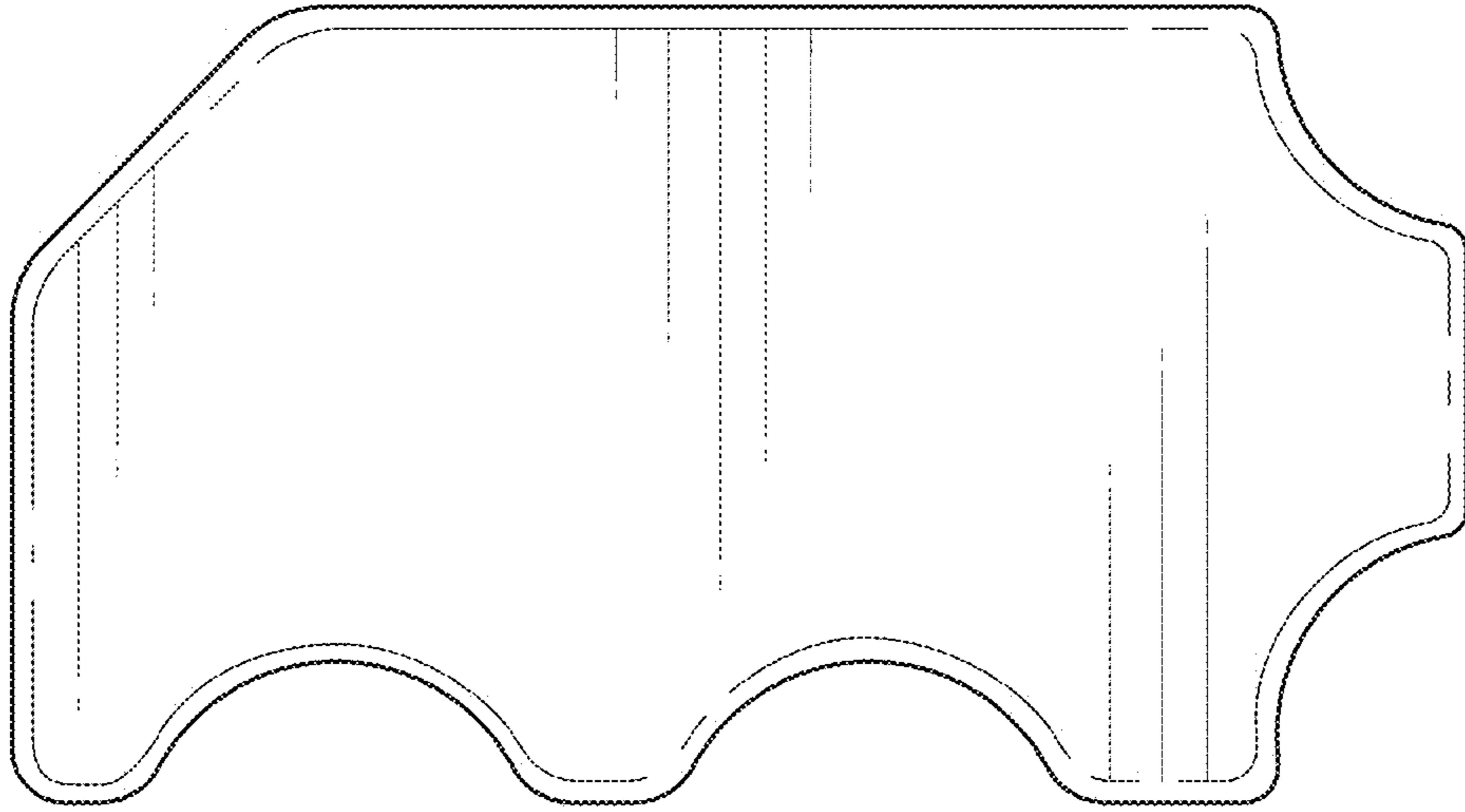


FIG. 6

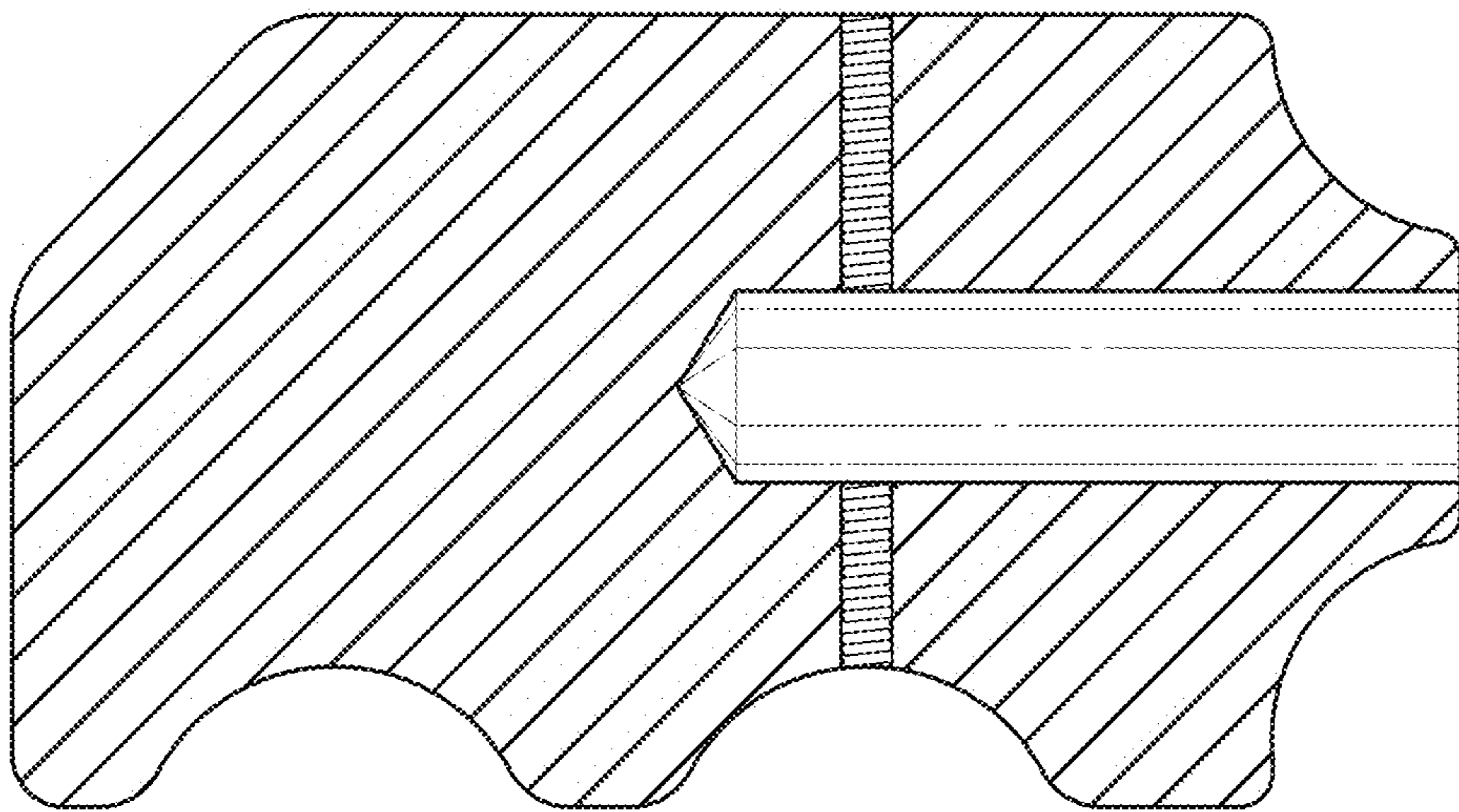


FIG. 7