

US00D964839S

(12) **United States Design Patent**
Zloto

(10) **Patent No.:** **US D964,839 S**

(45) **Date of Patent:** **** *Sep. 27, 2022**

- (54) **TOILET SEAT HANDLE**
- (71) Applicant: **Adam Loren Zloto**, San Francisco, CA (US)
- (72) Inventor: **Adam Loren Zloto**, San Francisco, CA (US)
- (73) Assignee: **Lifty Loo LLC**, San Francisco, CA (US)
- (*) Notice: This patent is subject to a terminal disclaimer.
- (**) Term: **15 Years**
- (21) Appl. No.: **29/687,253**
- (22) Filed: **May 3, 2019**
- (51) **LOC (13) Cl.** **08-07**
- (52) **U.S. Cl.**
USPC **D8/307; D8/313**
- (58) **Field of Classification Search**
USPC D8/107, 300, 301, 307, 308, 312, 313;
D23/270, 303, 309, 310, 311
CPC Y10T 16/19; Y10T 16/643; Y10T 16/191;
Y10T 16/95; Y10T 24/4088; Y10T
292/1049; A47K 13/10; A47K 13/105;
A47K 13/24; E03D 5/04; E03D 5/092
See application file for complete search history.

- 5,553,332 A * 9/1996 Hazard A47K 13/105
4/246.1
- D406,884 S * 3/1999 Goss D23/311
- D422,688 S * 4/2000 Hopps D23/311
- 6,212,694 B1 * 4/2001 Porzio A47K 13/105
16/905
- D630,928 S * 1/2011 Pavese D8/307
- D657,653 S * 4/2012 Pettus D8/307
- D670,992 S * 11/2012 Gauthia D8/307
- 2004/0174267 A1 * 9/2004 Benkhardt G09F 27/00
340/686.1

* cited by examiner

Primary Examiner — Lauren R Calve

(74) *Attorney, Agent, or Firm* — Dunlap Bennett & Ludwig, PLLC

(57) **CLAIM**

The ornamental design for a toilet seat handle, as shown and described.

DESCRIPTION

FIG. 1 is a top front perspective view of the toilet seat handle showing my new design.

FIG. 2 is a bottom rear perspective view thereof.

FIG. 3 is a front elevation view thereof.

FIG. 4 is a rear elevation view thereof.

FIG. 5 is a right side elevational view thereof.

FIG. 6 is a left side elevational view thereof.

FIG. 7 is a top plan view thereof.

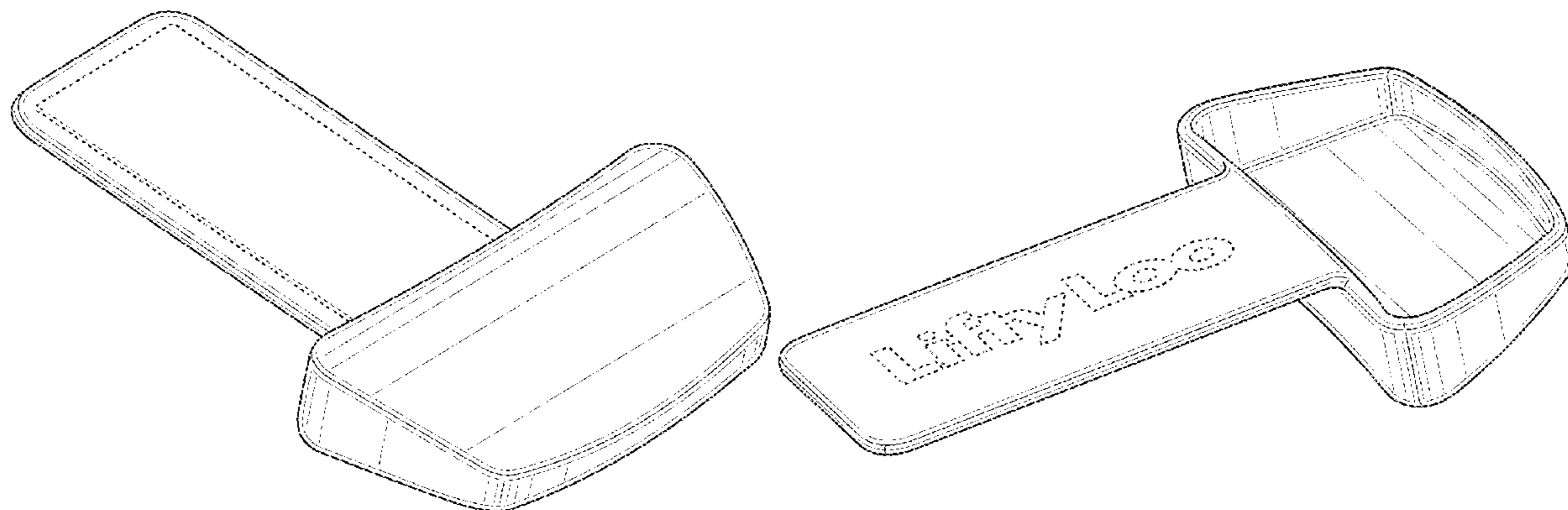
FIG. 8 is a bottom plan view thereof; and,

FIG. 9 is a top front perspective in use view showing the toilet seat handle applied to a toilet seat.

The broken lines shown in the drawings illustrate portions of the toilet seat handle that form no part of the claimed design. The broken lines in FIG. 9 showing the toilet seat handle in use illustrate environment and forms no part of the claim.

1 Claim, 4 Drawing Sheets

- (56) **References Cited**
U.S. PATENT DOCUMENTS
- 4,519,105 A * 5/1985 Blanck A47K 13/10
4/246.1
- D348,499 S * 7/1994 McAllister D21/731
- D363,344 S * 10/1995 Hazard D8/307
- 5,511,252 A * 4/1996 Kreemer A47K 13/105
4/246.1



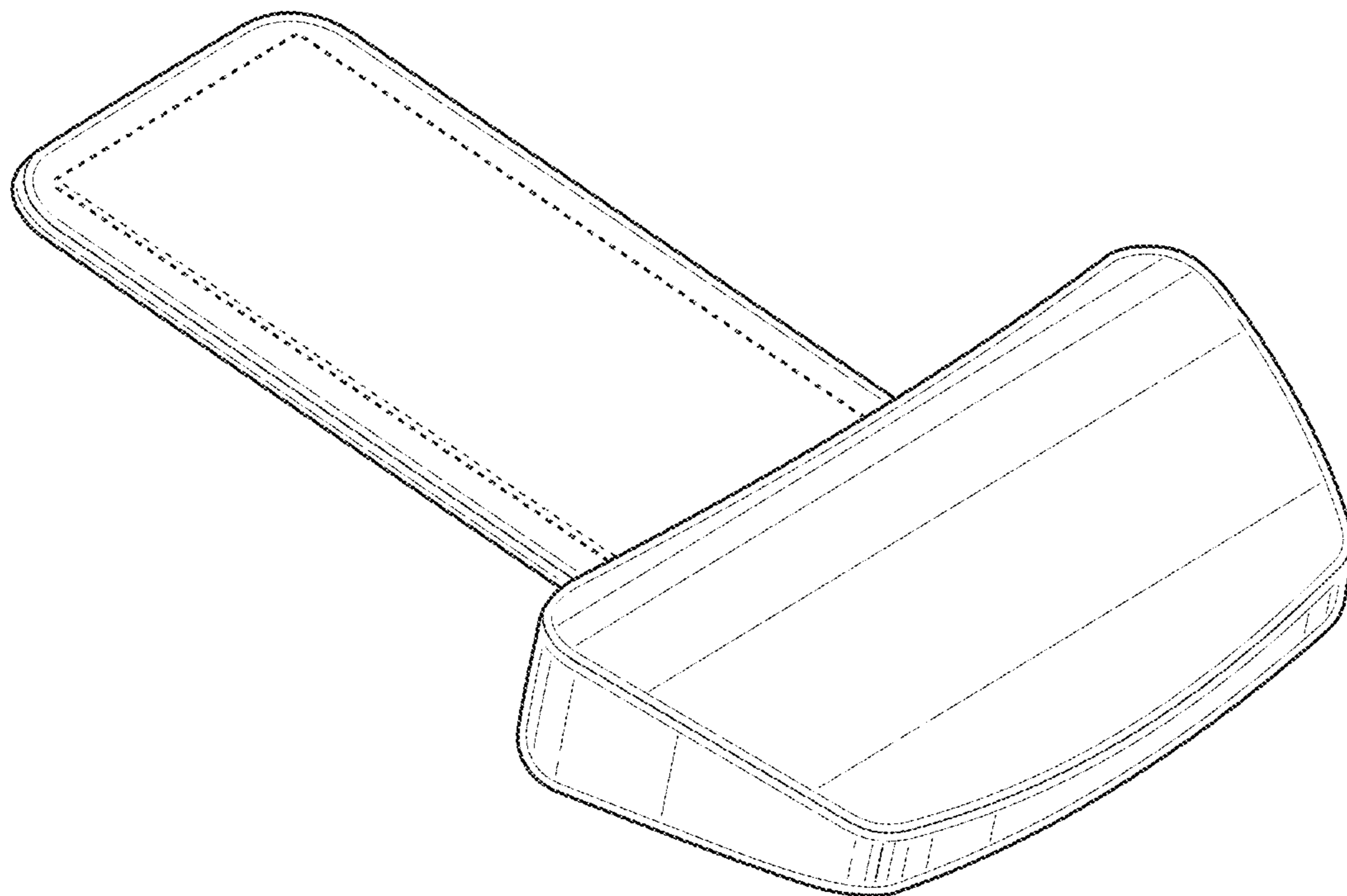


FIG. 1

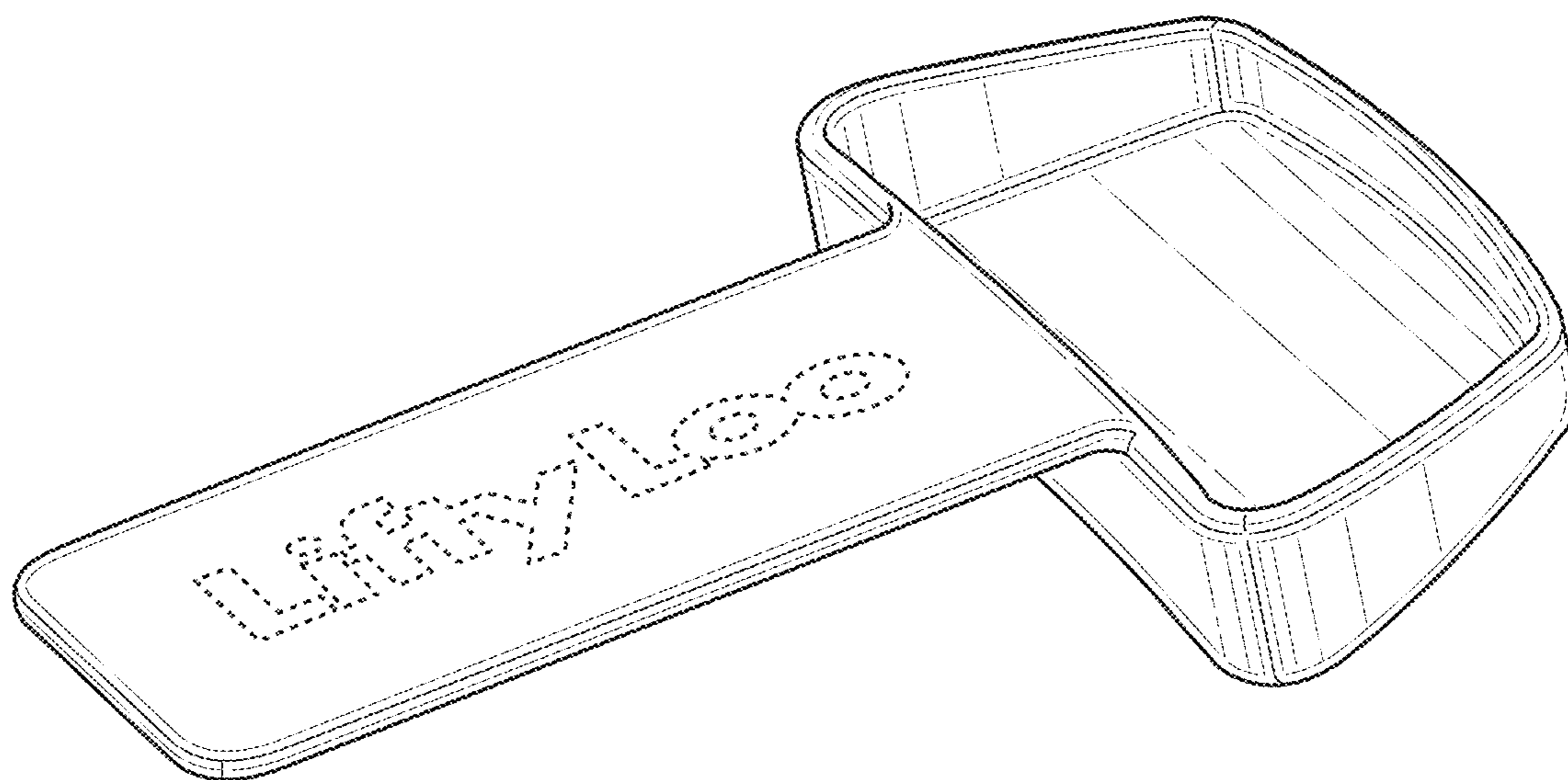


FIG. 2

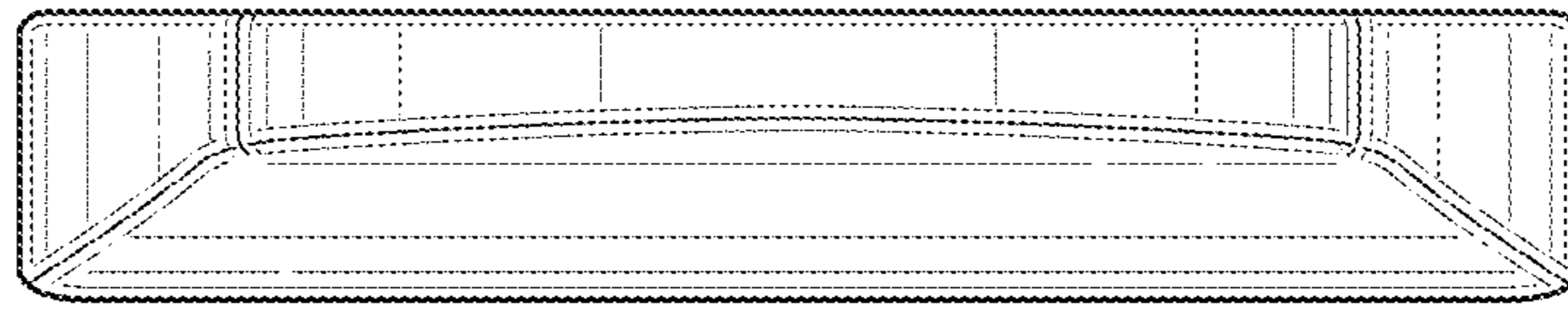


FIG. 3

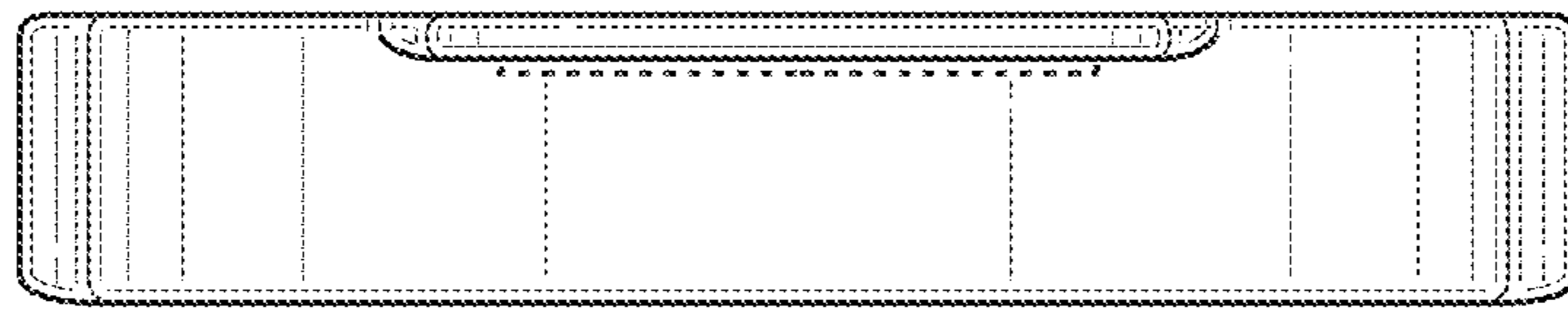


FIG. 4

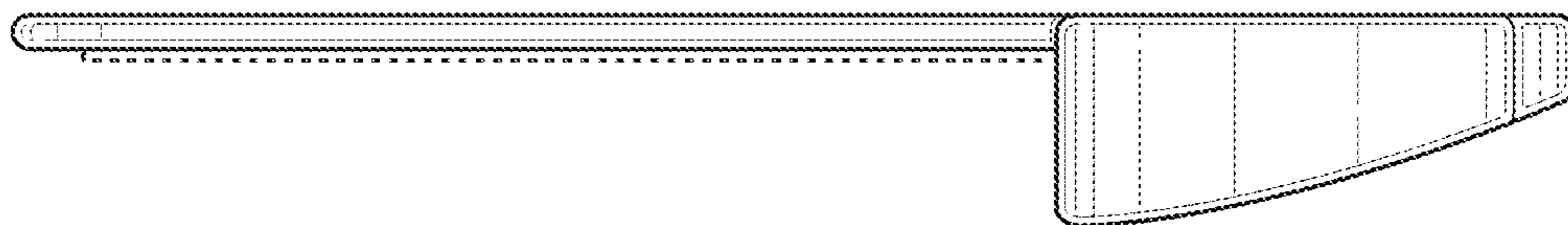


FIG. 5

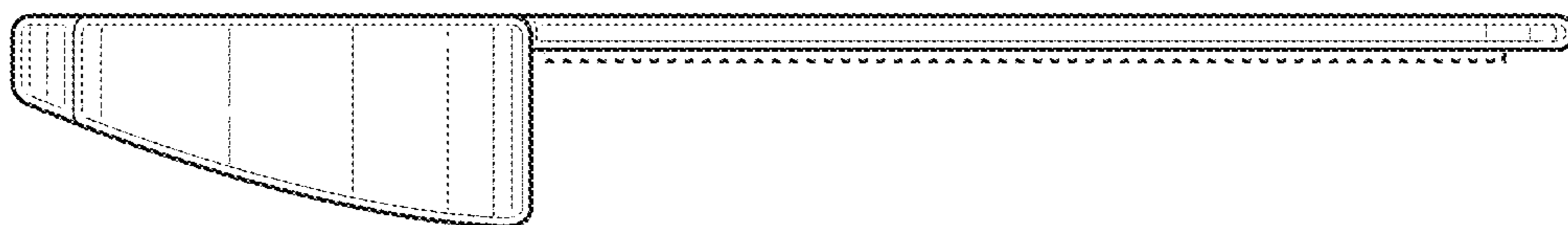


FIG. 6

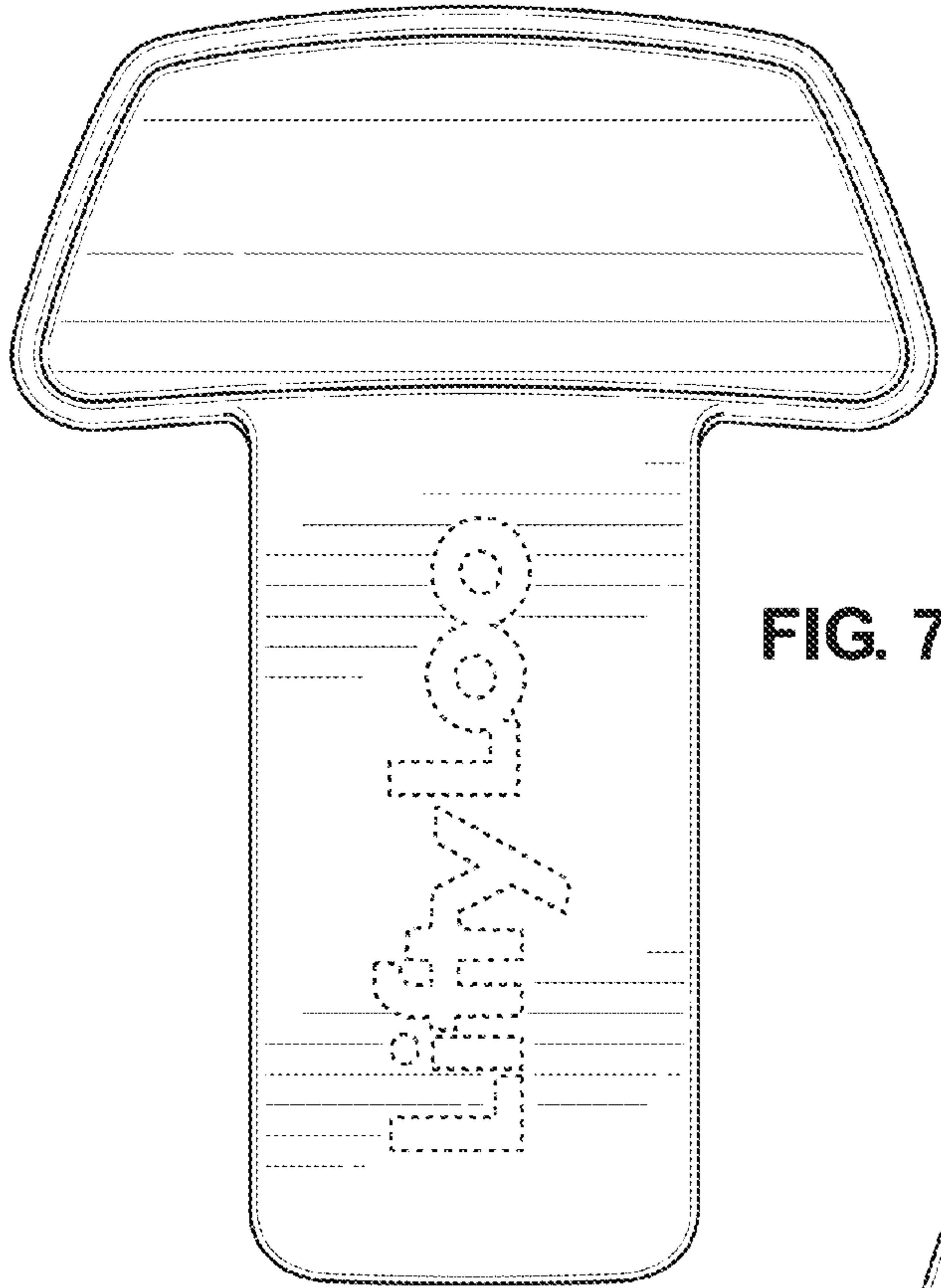


FIG. 7

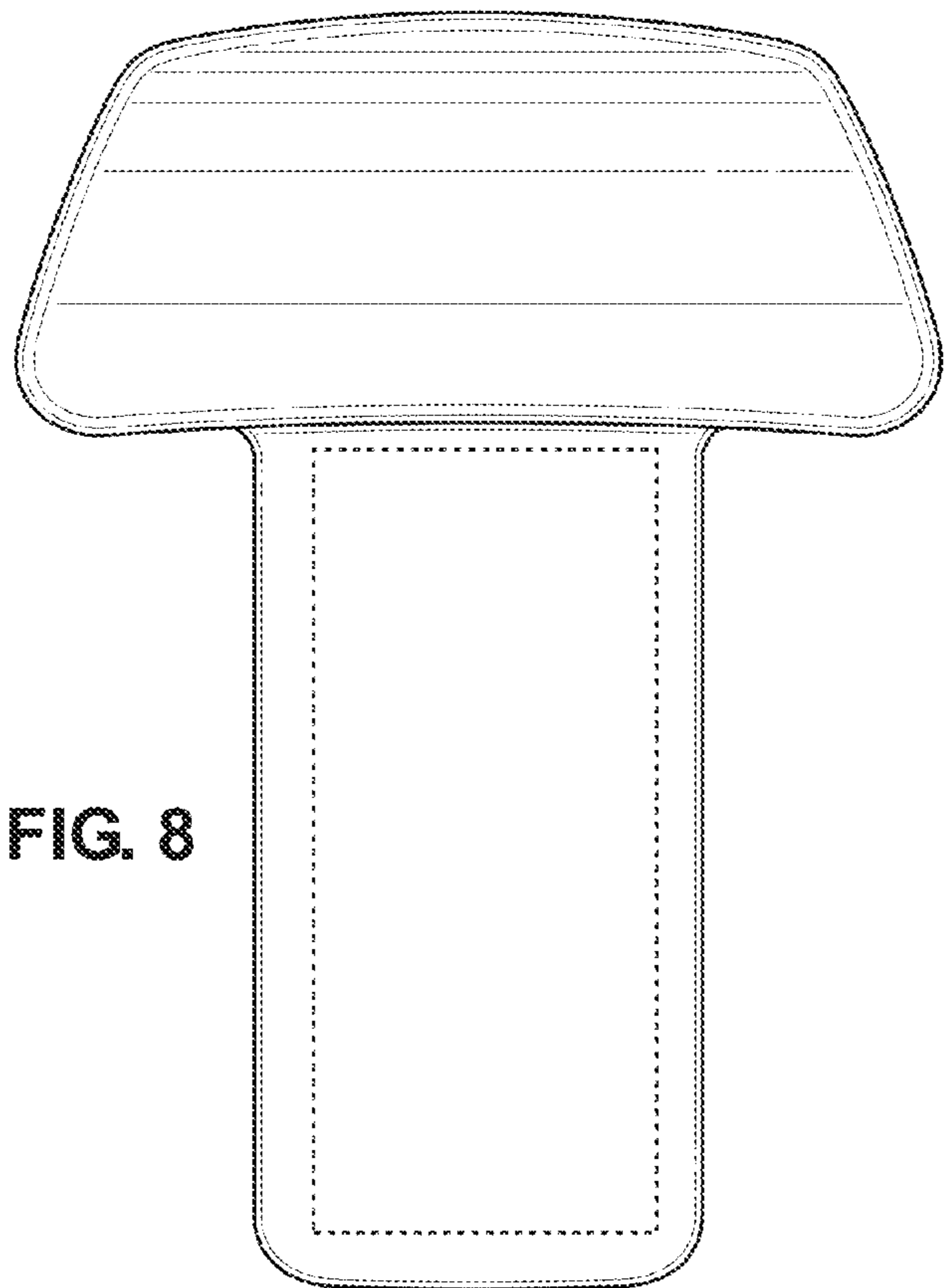


FIG. 8

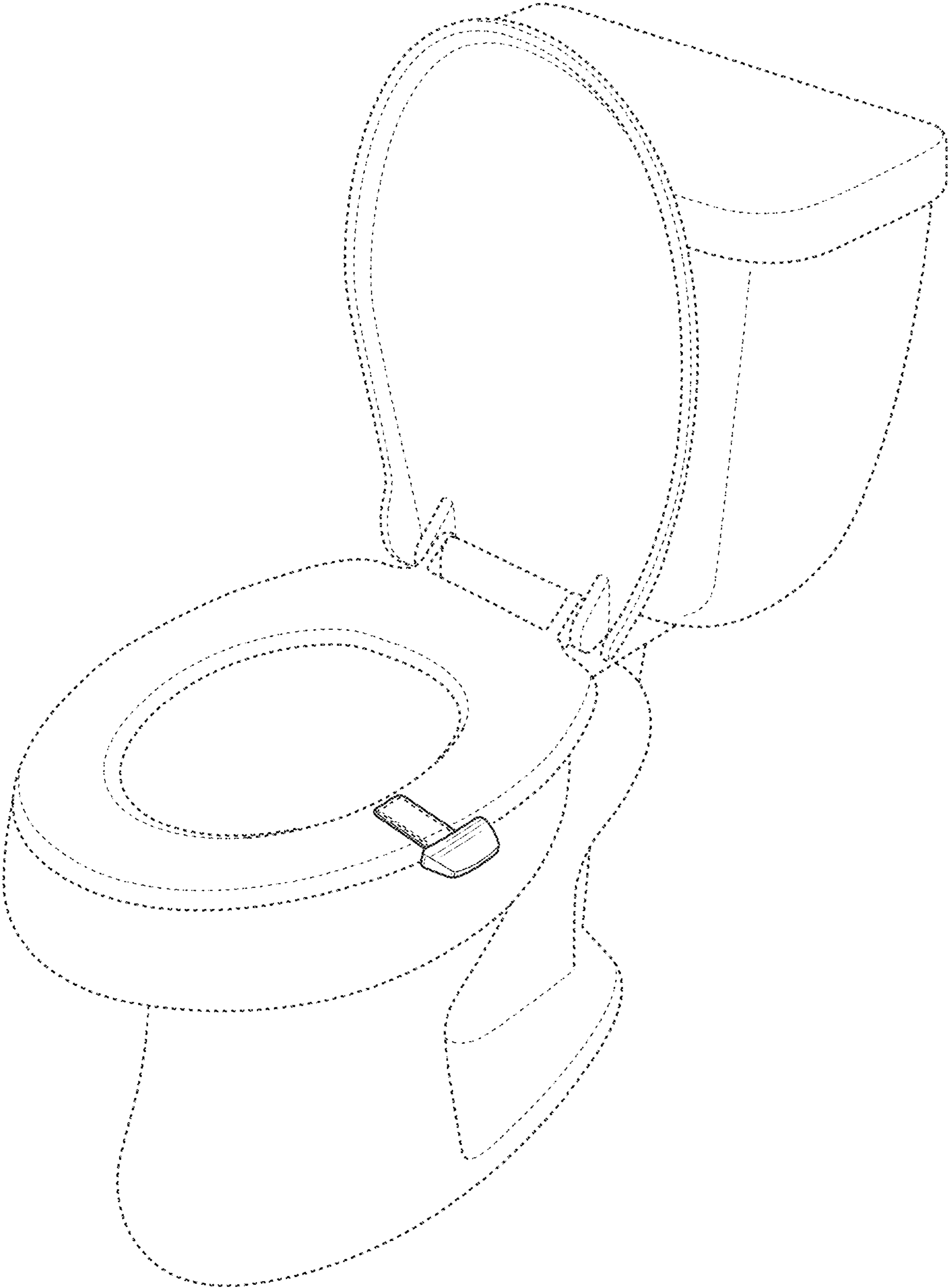


FIG. 9