



US00D964838S

(12) **United States Design Patent** (10) **Patent No.:** **US D964,838 S**
Liu (45) **Date of Patent:** **** Sep. 27, 2022**

(54) **DOOR KNOB**
(71) Applicant: **Shenzhen Rundian Innovation Technology Co., Ltd.**, Shenzhen (CN)
(72) Inventor: **Kezhi Liu**, Shenzhen (CN)
(73) Assignee: **Shenzhen Rundian Innovation Technology Co., Ltd.**, Shenzhen (CN)
(**) Term: **15 Years**
(21) Appl. No.: **29/816,984**
(22) Filed: **Nov. 26, 2021**
(51) **LOC (13) Cl.** **08-06**
(52) **U.S. Cl.**
USPC **D8/301**; D8/331
(58) **Field of Classification Search**
USPC D8/300–302, 307–309, 310, 311, 330, D8/331
CPC Y10T 16/44; Y10T 74/20612; Y10T 74/20732; Y10T 16/458; Y10T 16/498; Y10T 16/469; Y10T 16/476; Y10T 74/20744; Y10T 74/20864; Y10T 16/4628; Y10T 74/20642; Y10T 16/473; Y10T 74/20762; Y10T 74/2042; Y10T 74/20828; Y10T 16/459; Y10T 16/4713; Y10T 74/2014; Y10T 16/50; Y10T 74/20438; Y10T 74/20582; Y10T 74/20738; Y10T 16/48; Y10T 74/20618; Y10T 74/20684; Y10T 74/20624; Y10T 74/20468; Y10T 16/61; Y10T 16/4719; Y10T 16/86; Y10S 16/30; Y10S 292/31; Y10S 292/53; Y10S 16/12; Y10S 292/23; Y10S 292/27; Y10S 292/30; Y10S 292/63; E05B 85/16; E05B 1/0015; E05B 77/06; E05B 79/06; E05B 85/18; E05B

85/12; E05B 85/10; E05B 7/00; E05B 1/0053; E05B 77/265

See application file for complete search history.

(56) **References Cited**

U.S. PATENT DOCUMENTS

4,876,867	A *	10/1989	Leneave	E05B 13/001
				70/420
D445,015	S *	7/2001	Weinerman	D8/352
D578,374	S *	10/2008	Kim	D8/302
D721,567	S	1/2015	Corpuz, Jr. et al.	
D844,408	S *	4/2019	Lu	D8/301
D911,812	S *	3/2021	Moyer	D8/330
D923,454	S *	6/2021	Chen	D8/331
11,306,508	B2 *	4/2022	Lu	E05B 47/068

* cited by examiner

Primary Examiner — Lauren R Calve

(74) *Attorney, Agent, or Firm* — ScienBiziP, P.C.

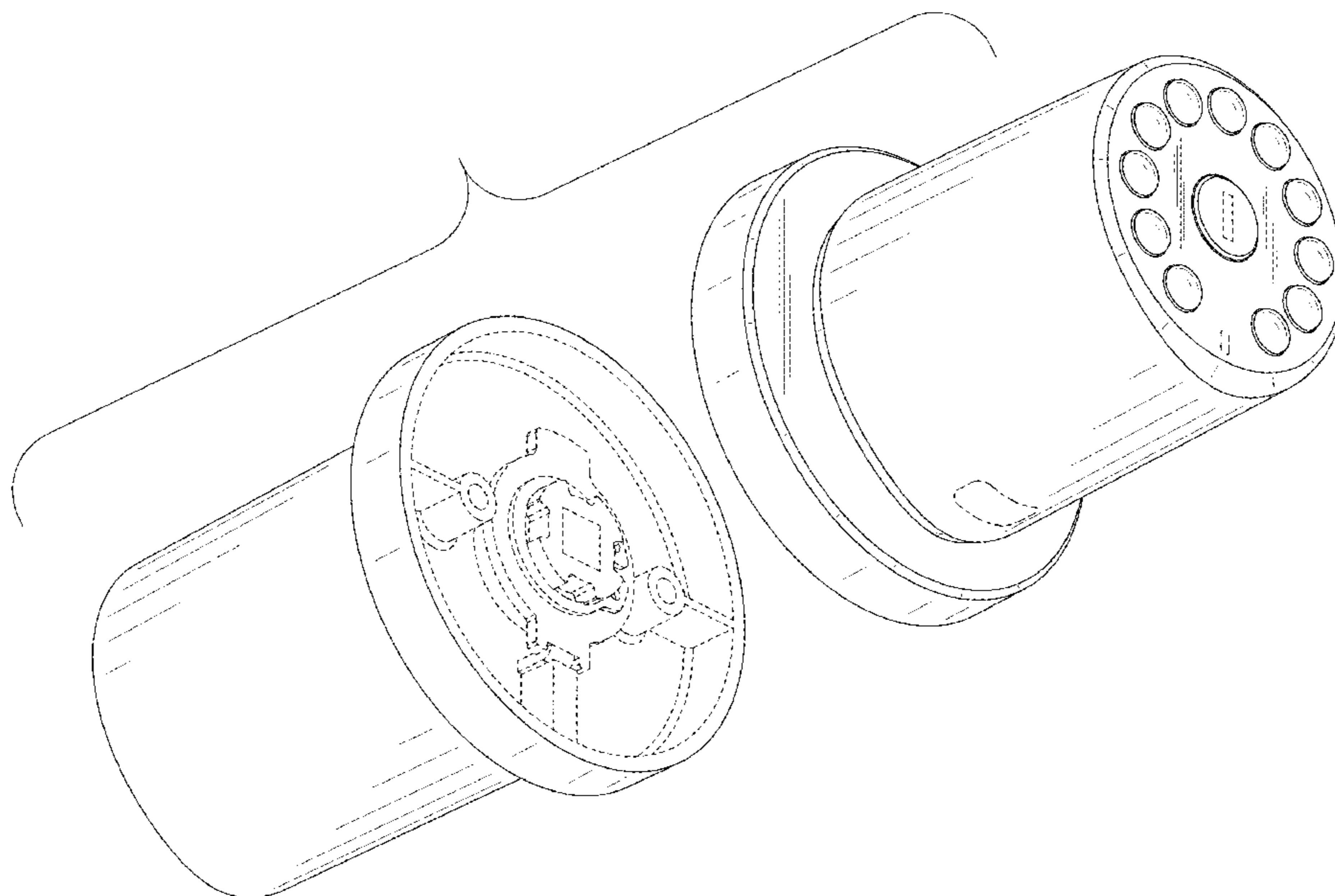
(57) **CLAIM**

The ornamental design for a door knob, as shown and described.

DESCRIPTION

FIG. 1 is a front, right and top perspective view of a door knob, showing my design.
FIG. 2 is a rear, left and bottom perspective view thereof.
FIG. 3 is a front elevation view thereof.
FIG. 4 is a rear elevation view thereof.
FIG. 5 is a left side elevation view thereof.
FIG. 6 is a right side elevation view thereof.
FIG. 7 is a top plan view thereof; and,
FIG. 8 is a bottom plan view thereof.
The broken lines shown in the drawings are included for the purpose of illustrating portions of the door knob that form no part of the claimed design.

1 Claim, 8 Drawing Sheets



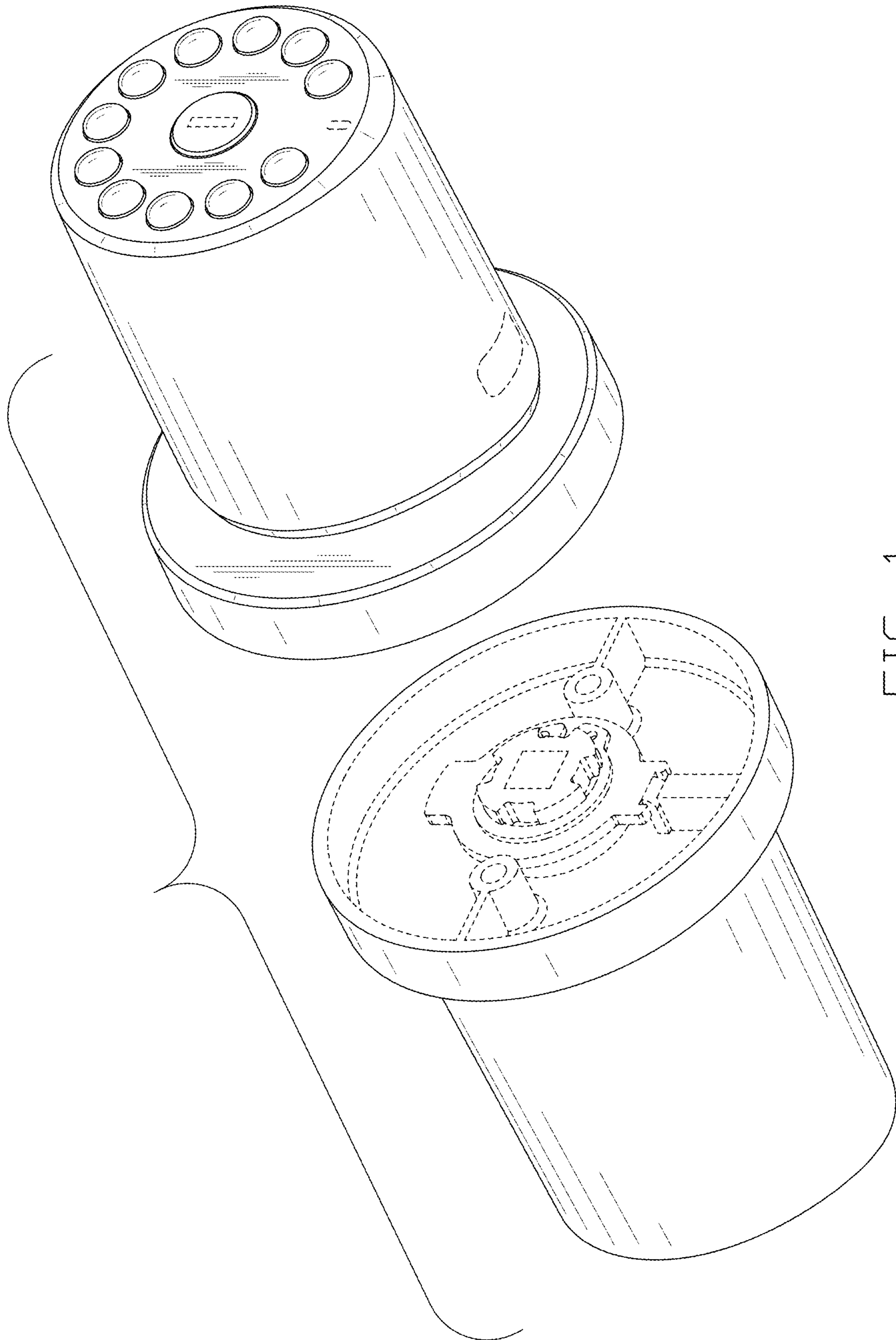


FIG. 1

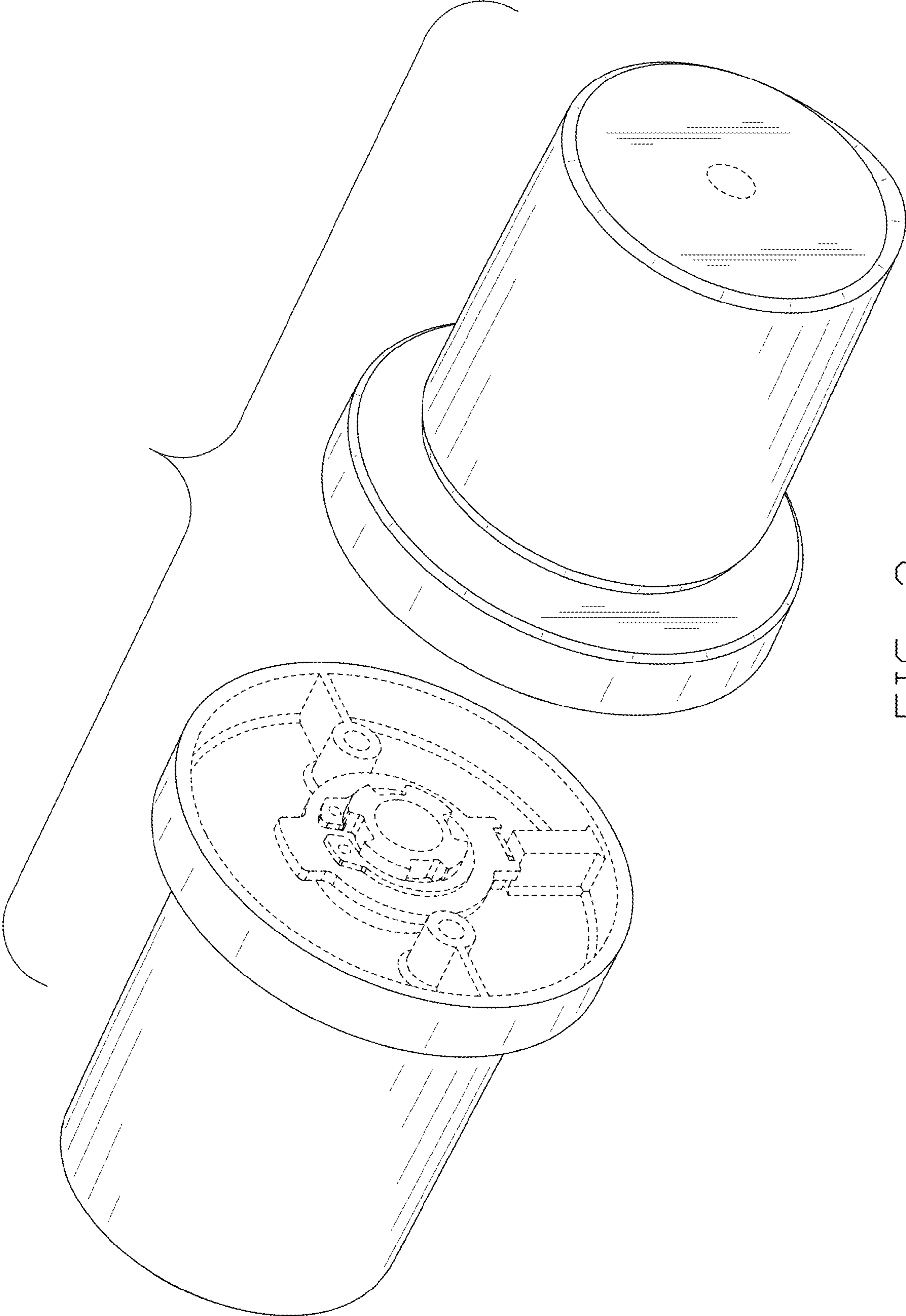


FIG. 2

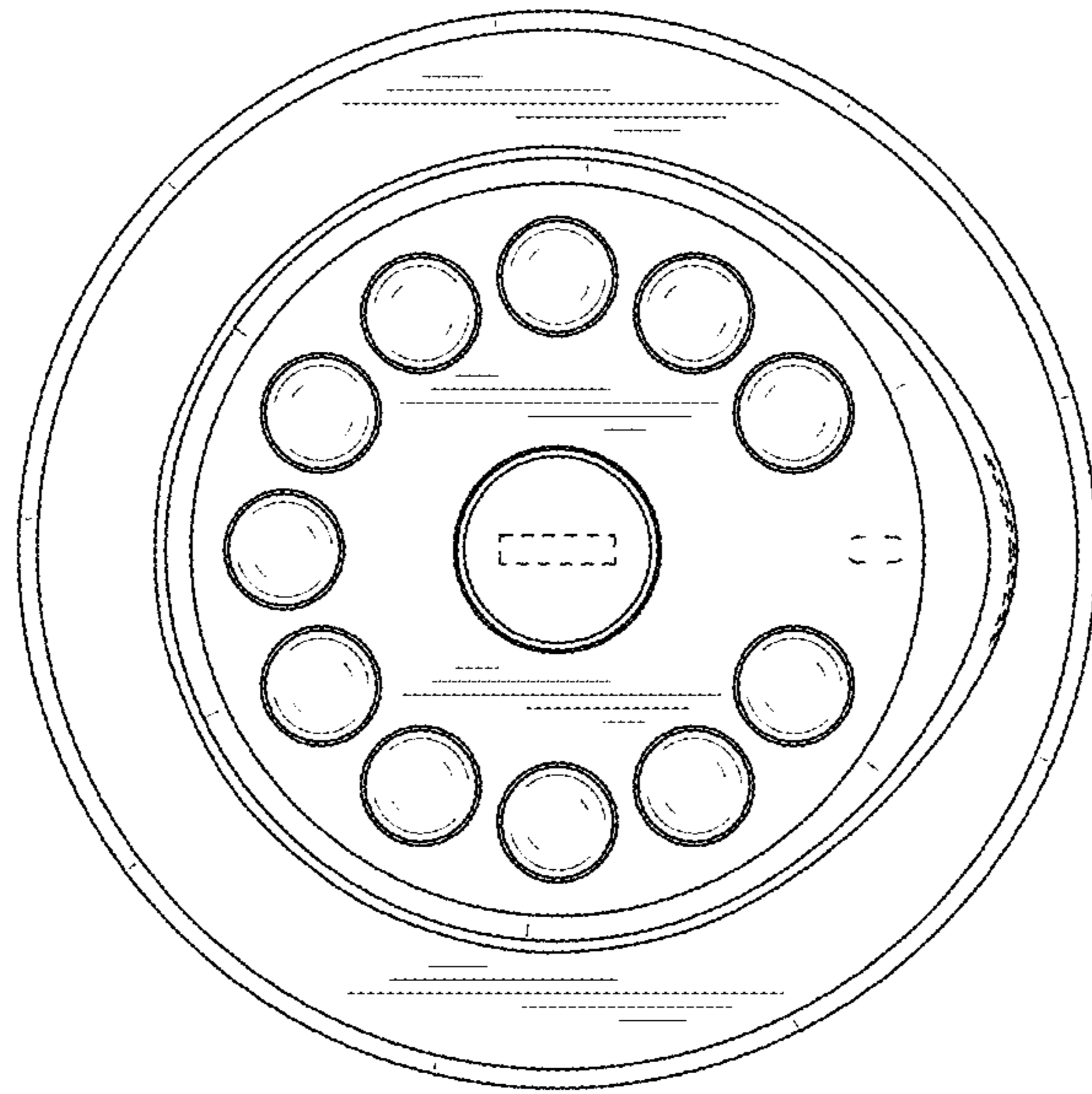


FIG. 3

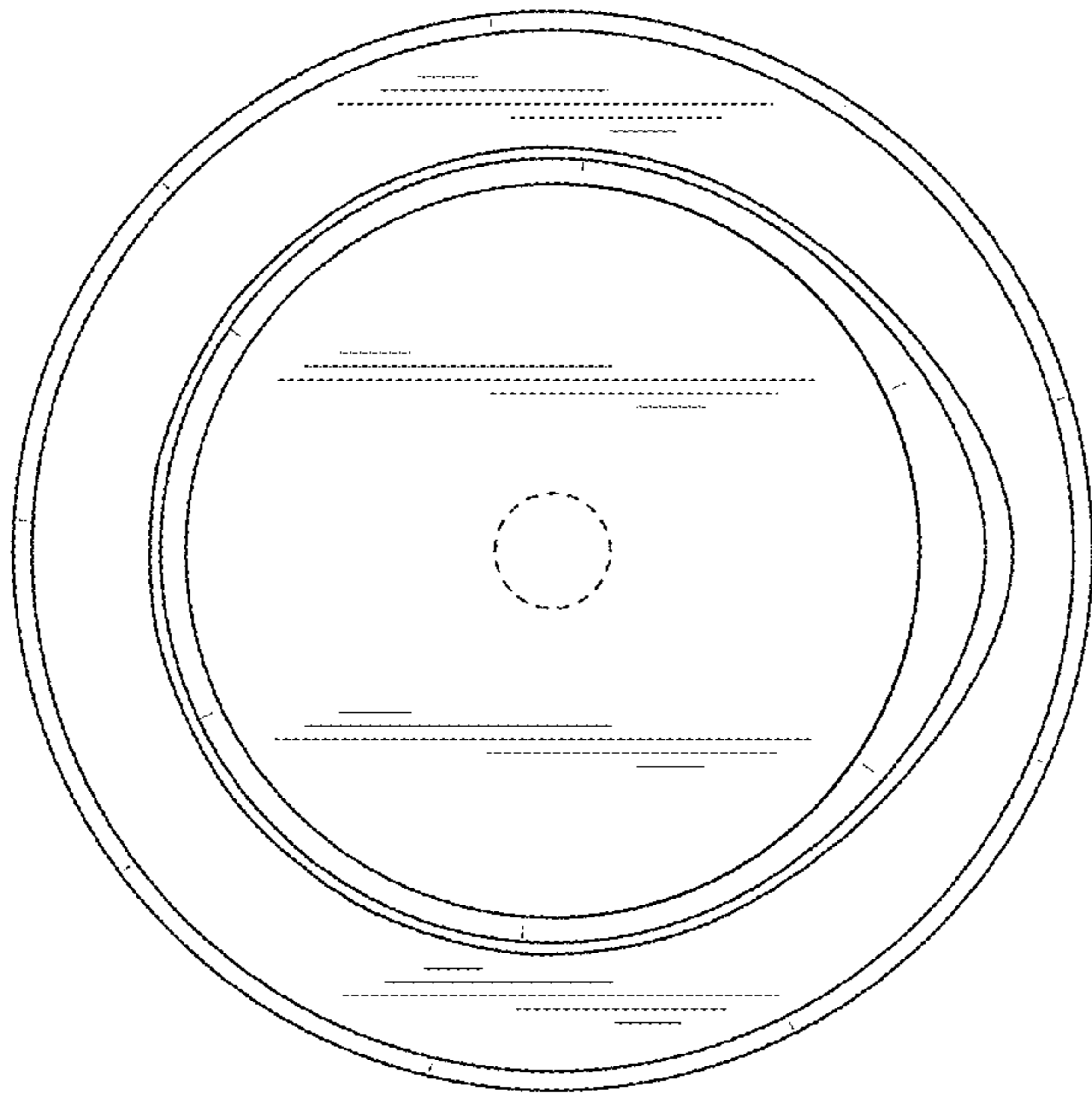


FIG. 4

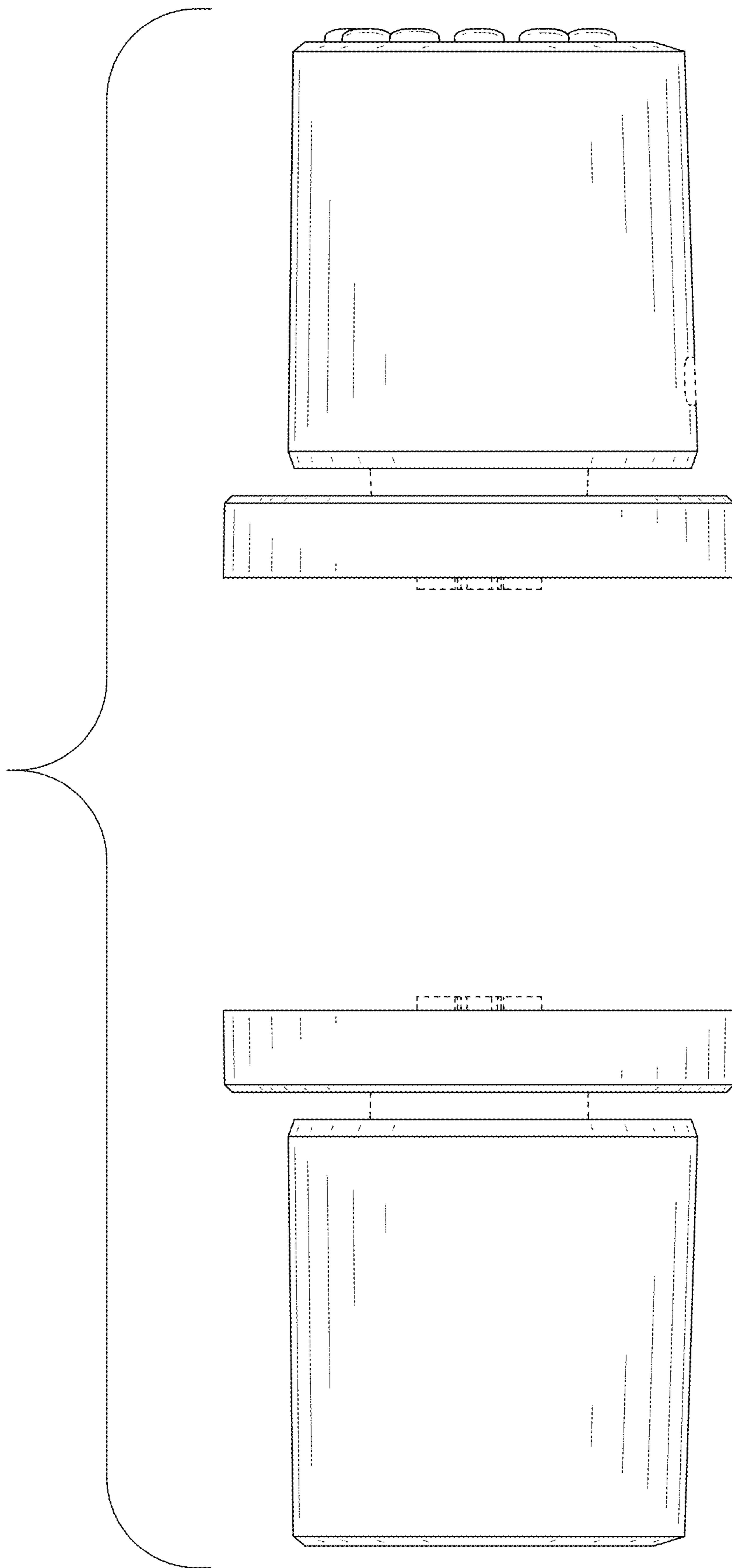


FIG. 5

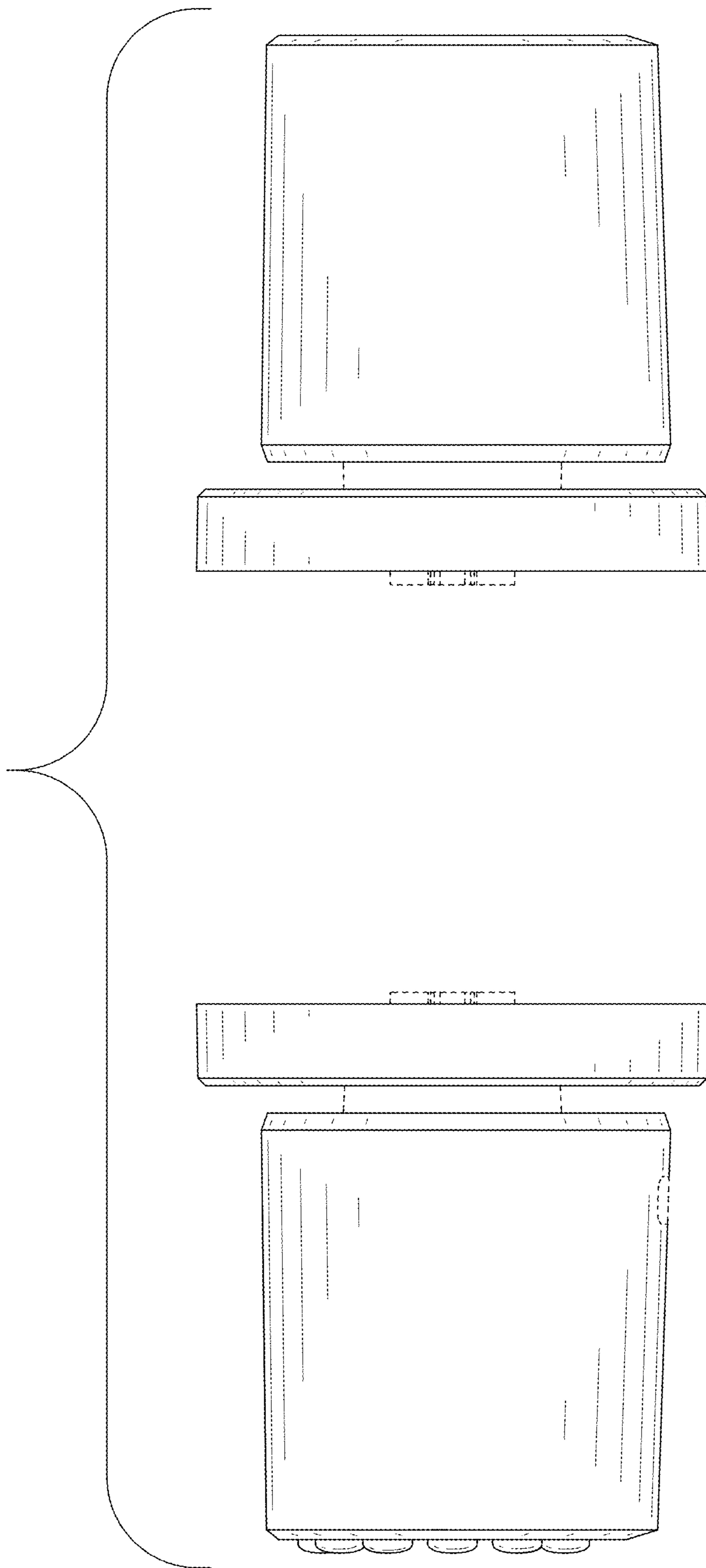


FIG. 6

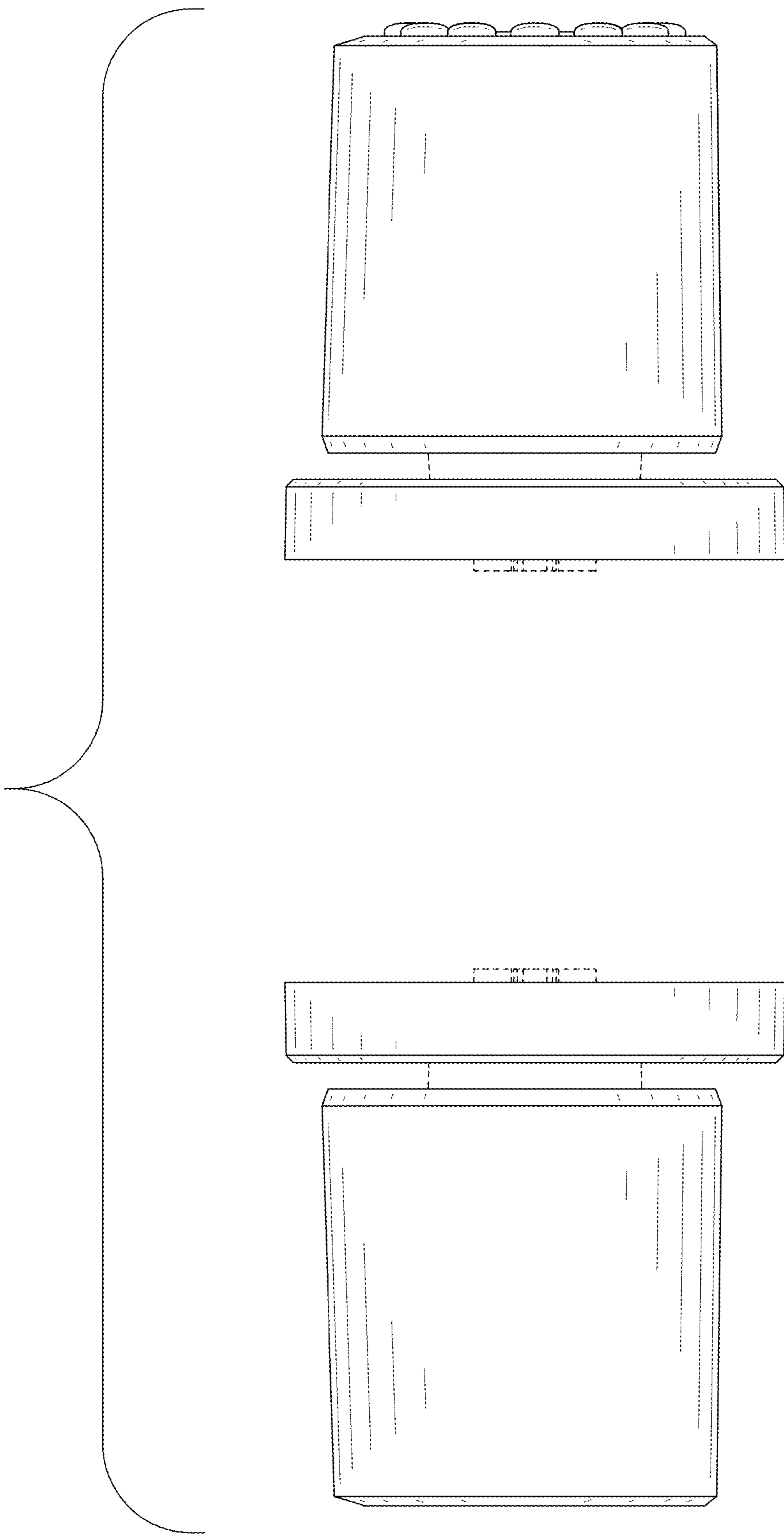


FIG. 7

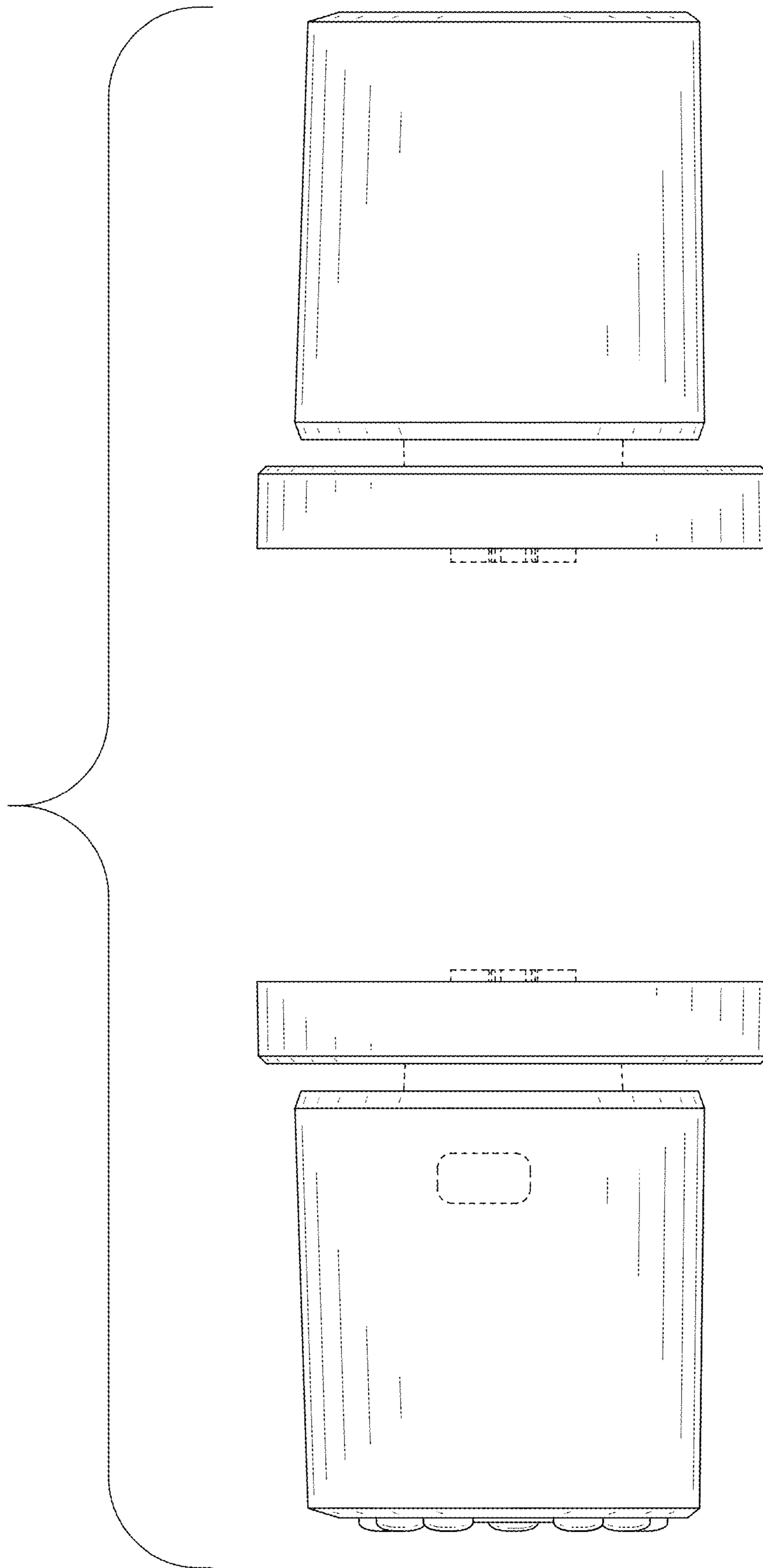


FIG. 8