



US00D964836S

(12) **United States Design Patent**
Tseng et al.

(10) **Patent No.:** **US D964,836 S**

(45) **Date of Patent:** **** Sep. 27, 2022**

- (54) **COLD KNIFE HOLDER**
- (71) Applicants: **Yu-Yang Tseng**, Taichung (TW);
Heng-Yi Hsu, Tainan (TW)
- (72) Inventors: **Yu-Yang Tseng**, Taichung (TW);
Heng-Yi Hsu, Tainan (TW)
- (**) Term: **15 Years**
- (21) Appl. No.: **29/775,420**
- (22) Filed: **Mar. 23, 2021**
- (51) **LOC (13) Cl.** **08-03**
- (52) **U.S. Cl.**
USPC **D8/98; D8/14**
- (58) **Field of Classification Search**
USPC D8/14, 51, 98, 107, 300
CPC B26B 5/00; B25G 3/02; B25G 1/00; Y10T
279/17786
See application file for complete search history.

- 7,716,841 B2 * 5/2010 Kang B25F 1/02
30/294
- 7,874,074 B1 * 1/2011 Rodriguez-Vega B26B 5/005
30/298
- 2006/0225289 A1 * 10/2006 Glodowski B25G 1/00
30/294

* cited by examiner

Primary Examiner — Philip S Hyder
(74) *Attorney, Agent, or Firm* — Egbert, McDaniel & Swartz, PLLC

(57) **CLAIM**

The ornamental design for a cold knife holder, as shown and described.

DESCRIPTION

FIG. 1 is an upper perspective view of a cold knife holder showing our new design;
 FIG. 2 is a front view thereof;
 FIG. 3 is a rear view thereof;
 FIG. 4 is a side view thereof;
 FIG. 5 is an opposite side view thereof;
 FIG. 6 is a top plan view thereof;
 FIG. 7 is a bottom plan view thereof; and,
 FIG. 8 is a perspective view thereof, shown in condition of use with a car disclosed in broken lines to illustrate environmental matter.

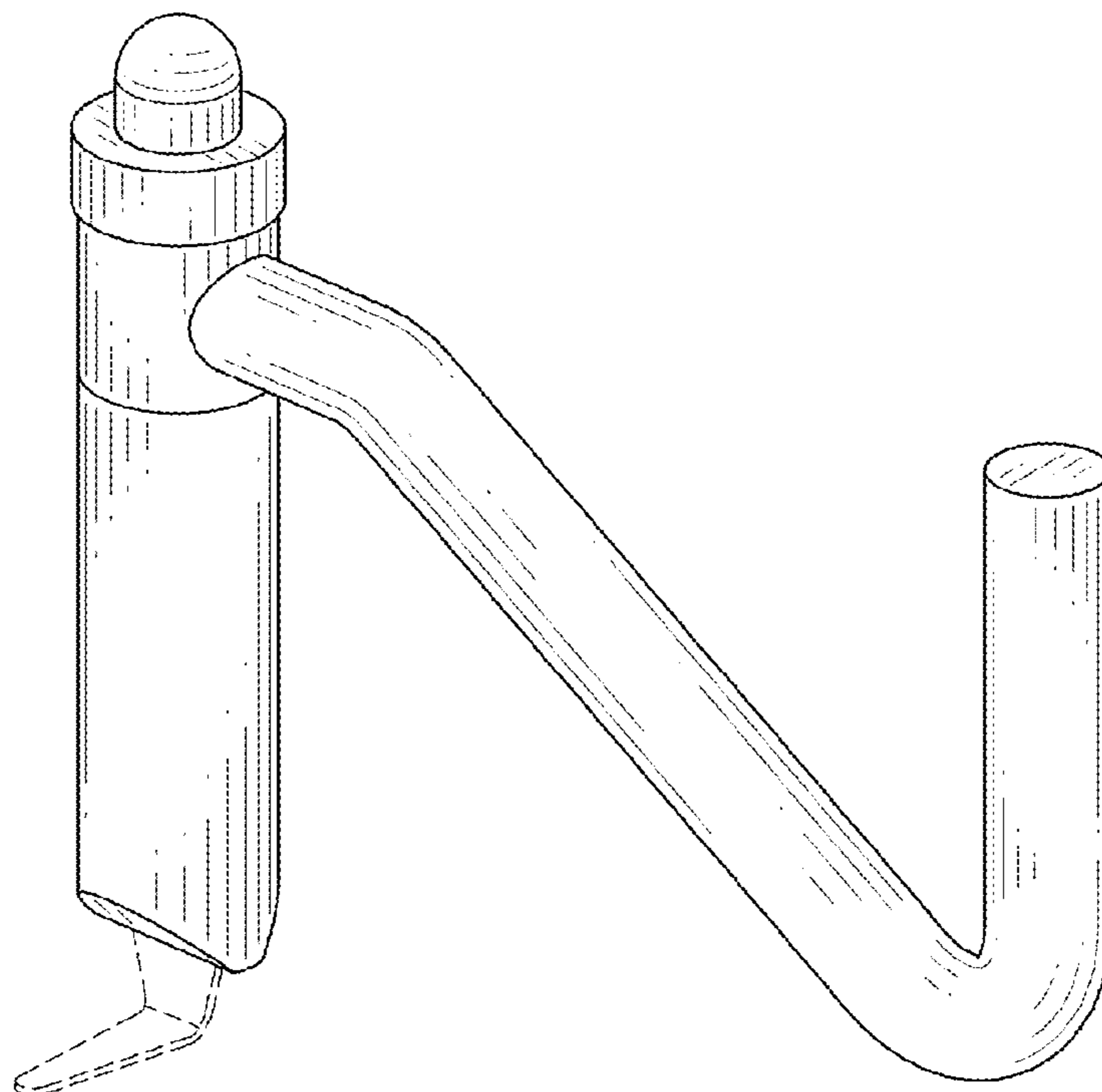
The knife blade shown in broken lines in FIGS. 1-8 forms no part of the claimed design. The broken lines showing a car in FIG. 8 represents environmental matter and forms no part of the claimed design.

(56) **References Cited**

U.S. PATENT DOCUMENTS

- 4,539,467 A * 9/1985 Wenger H05B 3/00
83/171
- 5,400,510 A * 3/1995 Glodowski B26B 29/06
30/298
- 5,784,788 A * 7/1998 Cothery B26B 5/00
30/294
- 6,256,889 B1 * 7/2001 Zuro B26B 5/00
30/314
- 7,308,763 B2 * 12/2007 Glodowski B26B 5/00
30/294
- 7,596,871 B1 * 10/2009 Nilsson B25G 3/02
30/340

1 Claim, 8 Drawing Sheets



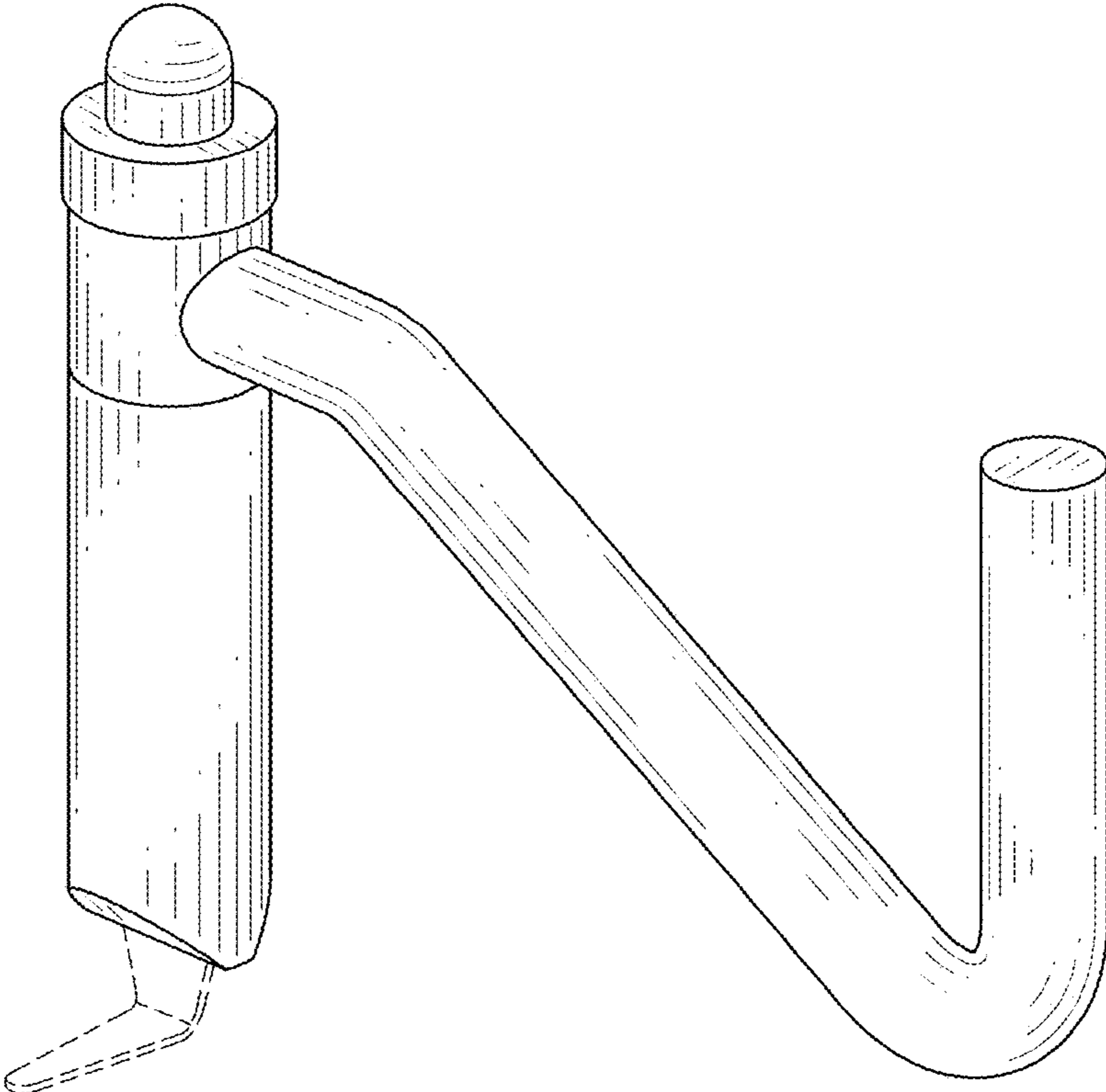


FIG.1

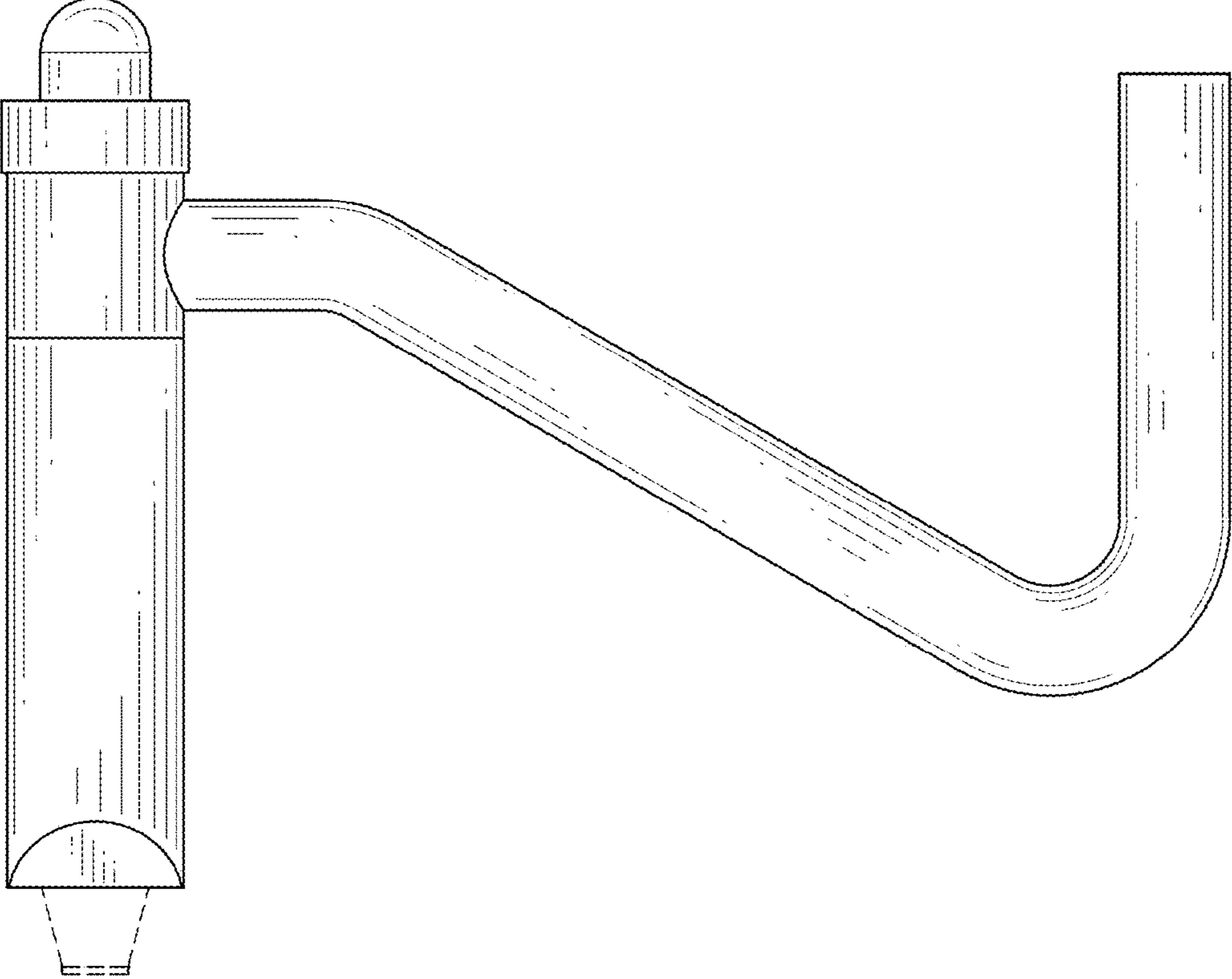


FIG.2

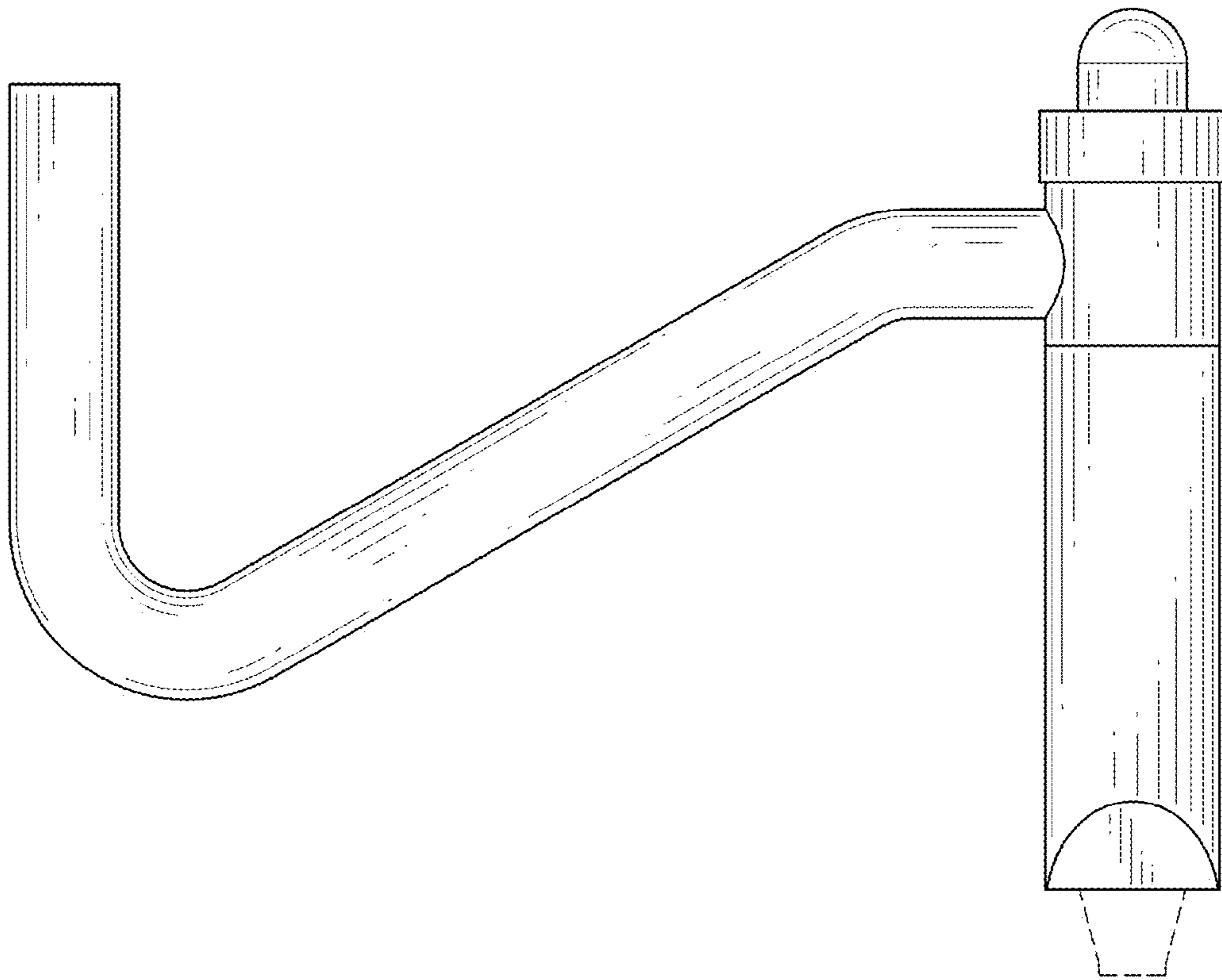


FIG.3

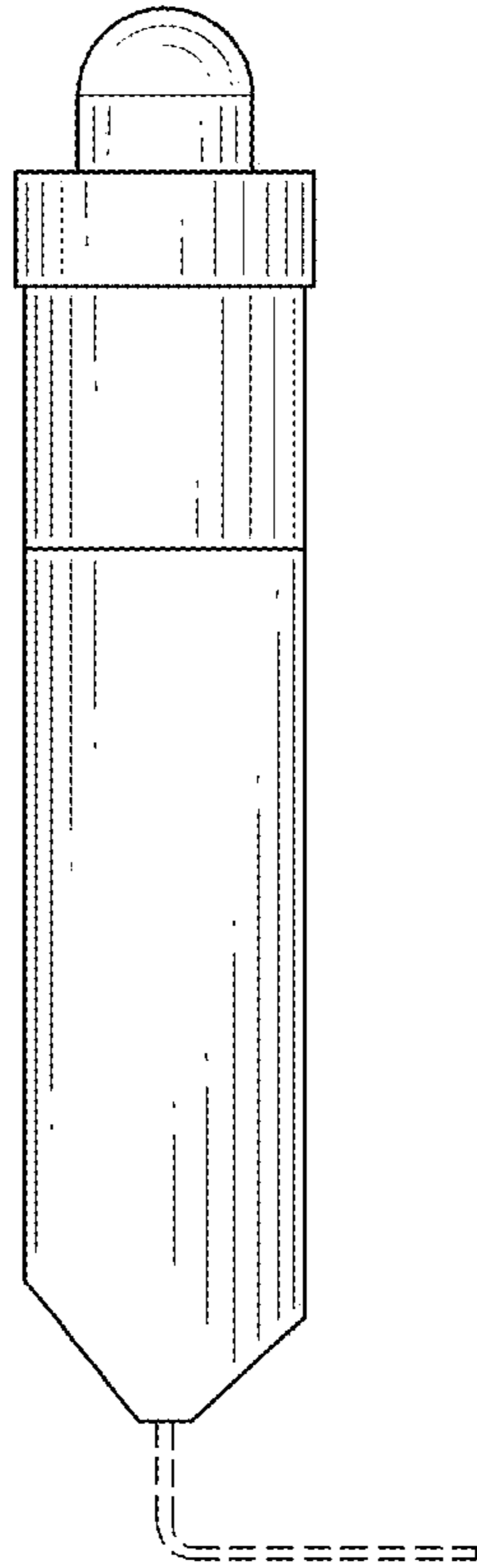


FIG.4

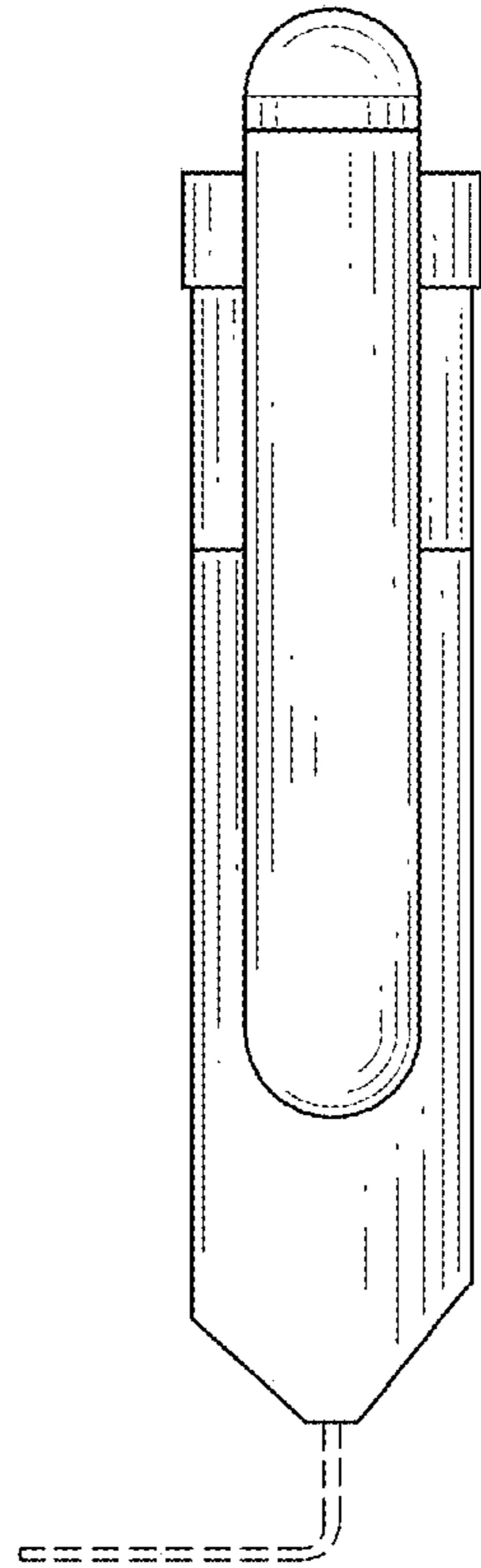


FIG.5

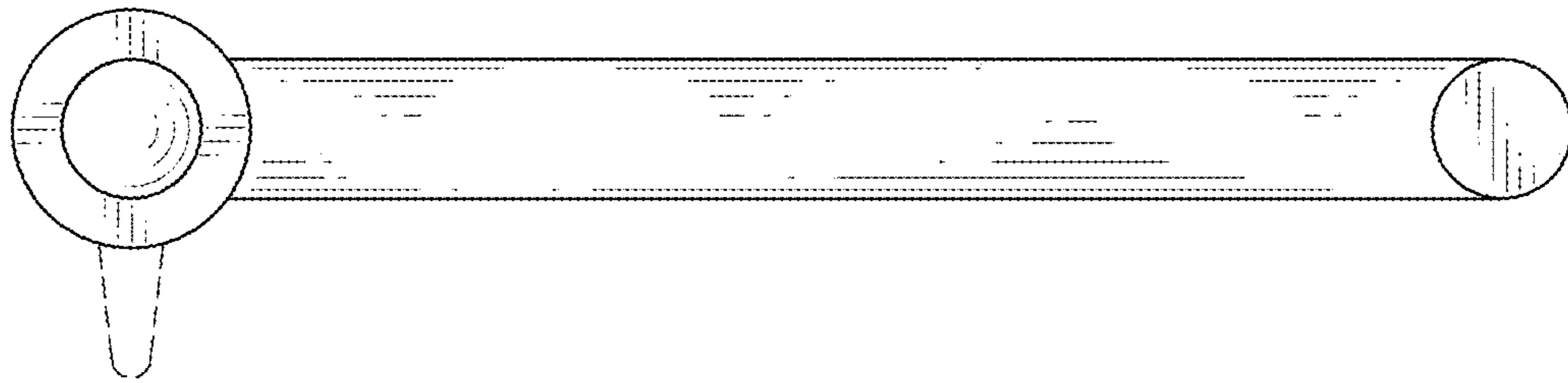


FIG.6

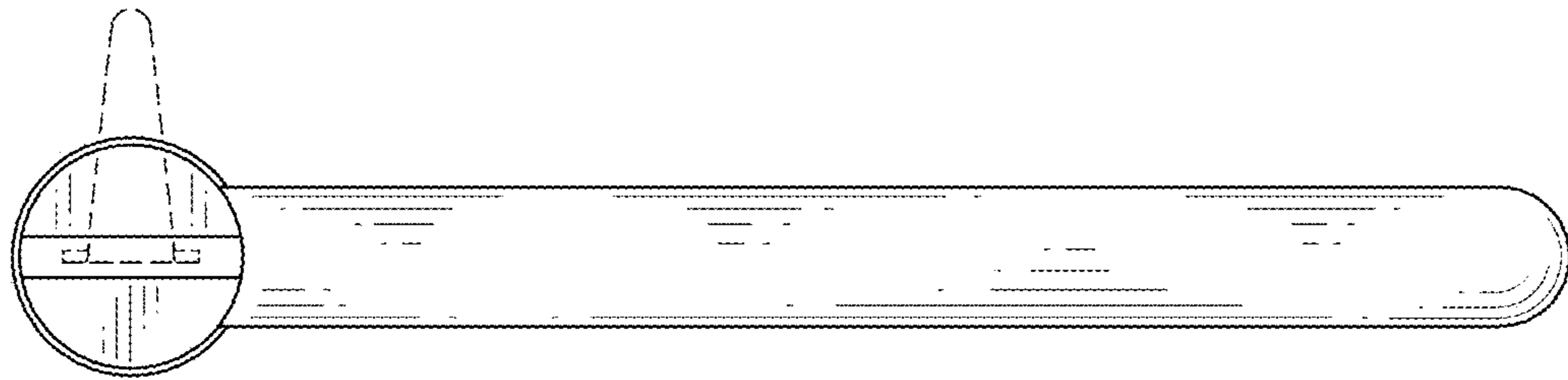


FIG.7

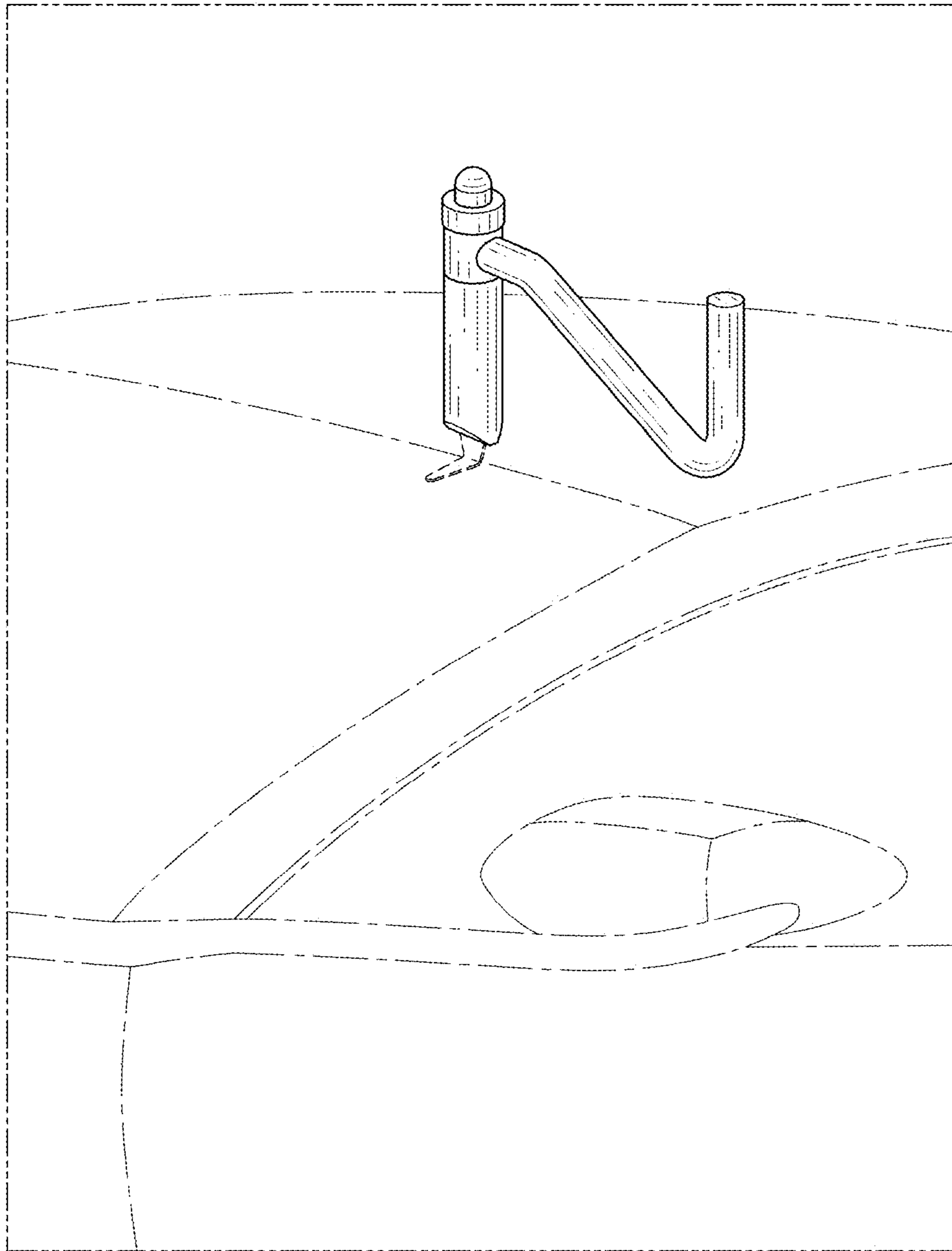


FIG.8