

US00D964833S

(12) **United States Design Patent** (10) **Patent No.:** **US D964,833 S**  
**Williams et al.** (45) **Date of Patent:** **\*\* Sep. 27, 2022**

(54) **SPRAY PAINT APPLICATOR**  
(71) Applicant: **AerVOE Industries, Inc.**, Gardnerville, NV (US)  
(72) Inventors: **David A. Williams**, Genoa, NV (US); **Keiran Creek**, Carson City, NV (US)  
(73) Assignee: **AERVOE INDUSTRIES, INC.**, Gardnerville, NV (US)  
(\*\*) Term: **15 Years**  
(21) Appl. No.: **29/735,779**  
(22) Filed: **May 24, 2020**  
(51) **LOC (13) Cl.** ..... **08-05**  
(52) **U.S. Cl.**  
USPC ..... **D8/51**  
(58) **Field of Classification Search**  
USPC ..... D8/29.1, 80, 52, 54, 56, 57, 58, 24, 21, D8/25, 394, 14, 105, 27, 14.1, 51, 68, D8/672, 130, 112; D10/49, 99; D13/123; D15/13, 140; D23/213  
CPC ..... B65D 83/203; E01C 23/227; A63C 19/06; A63C 2019/067  
See application file for complete search history.

(56) **References Cited**  
U.S. PATENT DOCUMENTS  
3,716,195 A \* 2/1973 Silva ..... B65D 83/203 D8/51  
4,099,482 A \* 7/1978 Smrt ..... B65D 83/203 118/712  
5,368,202 A \* 11/1994 Smrt ..... B65D 83/203 222/174  
5,518,148 A \* 5/1996 Smrt ..... B65D 83/202 222/174  
6,295,757 B1 \* 10/2001 Fields, II ..... A01M 21/043 47/1.5  
6,663,307 B2 \* 12/2003 Kopanic ..... A47L 13/22 222/174

6,698,774 B2 \* 3/2004 Duncan ..... E01C 23/163 280/79.6  
D489,738 S \* 5/2004 Radermacher ..... D15/140  
7,040,510 B1 \* 5/2006 Hester ..... B05B 11/3056 222/509

(Continued)

**FOREIGN PATENT DOCUMENTS**

EM 001768920-0002 \* 10/2010  
EM 002060244-0001 \* 7/2012  
EM 002773267-0003 \* 9/2015

**OTHER PUBLICATIONS**

Marking Spray Paint Rolling Applicator, Google.com, [online], [site visited Feb. 15, 2022], Available from internet URL: [https://benchmarksupply.com/keson-34-in-hand-held-spray-applicator-with-roller-pa35/?gclid=EAIaIQobChMlioKX14-e9glVIQalCR3d8QqLEAQYAiABEgKrnvD\\_BwE](https://benchmarksupply.com/keson-34-in-hand-held-spray-applicator-with-roller-pa35/?gclid=EAIaIQobChMlioKX14-e9glVIQalCR3d8QqLEAQYAiABEgKrnvD_BwE) (Year: NA).\*

(Continued)

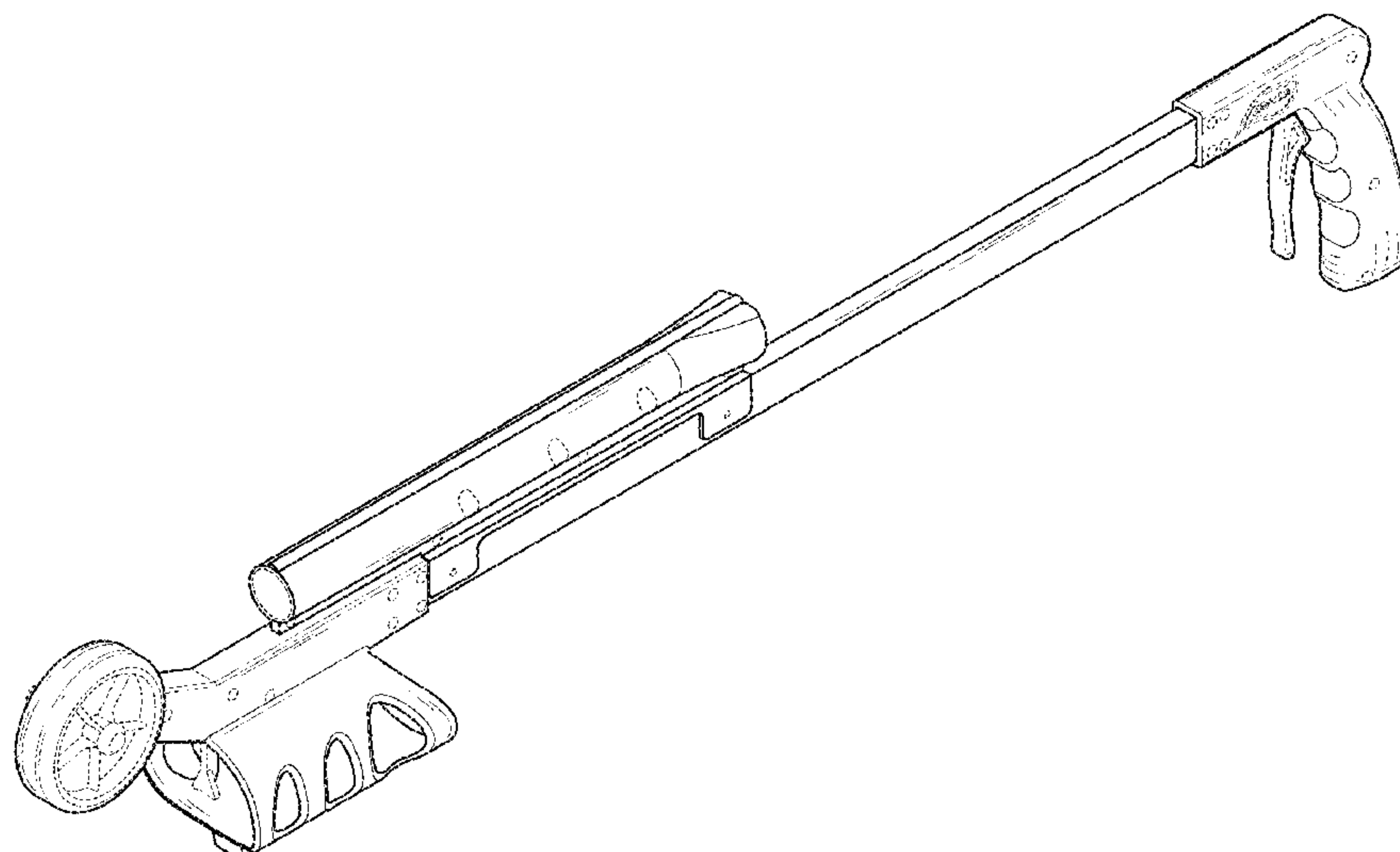
*Primary Examiner* — Omeed Agilee  
*Assistant Examiner* — Rozita Mozaffarian  
(74) *Attorney, Agent, or Firm* — Martensen IP; Chad G. Clark

(57) **CLAIM**  
The ornamental design for a spray paint applicator, as shown and described.

**DESCRIPTION**

FIG. 1 is a perspective view of a spray paint applicator showing the new design;  
FIG. 2 is a left side view thereof;  
FIG. 3 is a right side view thereof;  
FIG. 4 is an enlarged front view thereof;  
FIG. 5 is an enlarged back view thereof;  
FIG. 6 is a top view thereof; and,  
FIG. 7 is a bottom view thereof.  
The broken lines in the drawings depict parts of the spray paint applicator that form no part of the claimed design.

**1 Claim, 7 Drawing Sheets**



(56)

**References Cited**

U.S. PATENT DOCUMENTS

7,100,540 B2 \* 9/2006 Vaughan ..... F22D 5/26  
 122/DIG. 10  
 8,267,286 B2 \* 9/2012 Smrt ..... B65D 83/203  
 222/402.1  
 8,430,272 B2 \* 4/2013 Porter ..... B65D 83/203  
 222/174  
 9,114,415 B2 \* 8/2015 Williams ..... B65D 75/5883  
 9,131,823 B2 \* 9/2015 Maczuzak ..... A47L 13/22  
 9,421,568 B1 \* 8/2016 Reith ..... B05B 15/62  
 9,527,655 B2 \* 12/2016 Kaufman ..... B65D 83/40  
 9,731,308 B1 \* 8/2017 Conrad, Jr. .... B05B 12/1409  
 D903,446 S \* 12/2020 Wnuk ..... D8/14.1  
 11,048,010 B2 \* 6/2021 Haddy ..... B05B 12/002  
 11,117,150 B1 \* 9/2021 Olsson ..... B05B 9/01  
 2010/0272885 A1 \* 10/2010 Olsson ..... B65D 83/203  
 118/75

2015/0056369 A1 \* 2/2015 Kohn ..... G01C 15/04  
 239/289  
 2017/0259988 A1 \* 9/2017 Carrette ..... A63C 19/06  
 2019/0135528 A1 \* 5/2019 Olsson ..... B05B 12/20

OTHER PUBLICATIONS

Wheeler Hand-Held , Google.com, [online], [site visited Feb. 15, 2022], Available from internet URL: [https://www.jpccatalog.com/Products/Wheeler-Hand-Held\\_425-K07096.aspx?utm\\_source=google&utm\\_medium=organic-shopping-pla&onatalp=2546991096&fph=0\\_752580a199981b3a656c6876e726e25a](https://www.jpccatalog.com/Products/Wheeler-Hand-Held_425-K07096.aspx?utm_source=google&utm_medium=organic-shopping-pla&onatalp=2546991096&fph=0_752580a199981b3a656c6876e726e25a) (Year: NA).\*

Marking Wand With Flag Holder- , Google.com, [online], [site visited Feb. 15, 2022], Available from internet URL: <https://georgiaunderground.net/products/marking-wand-with-flag-holder.html?sku=KRYLON> (Year: NA).\*

\* cited by examiner

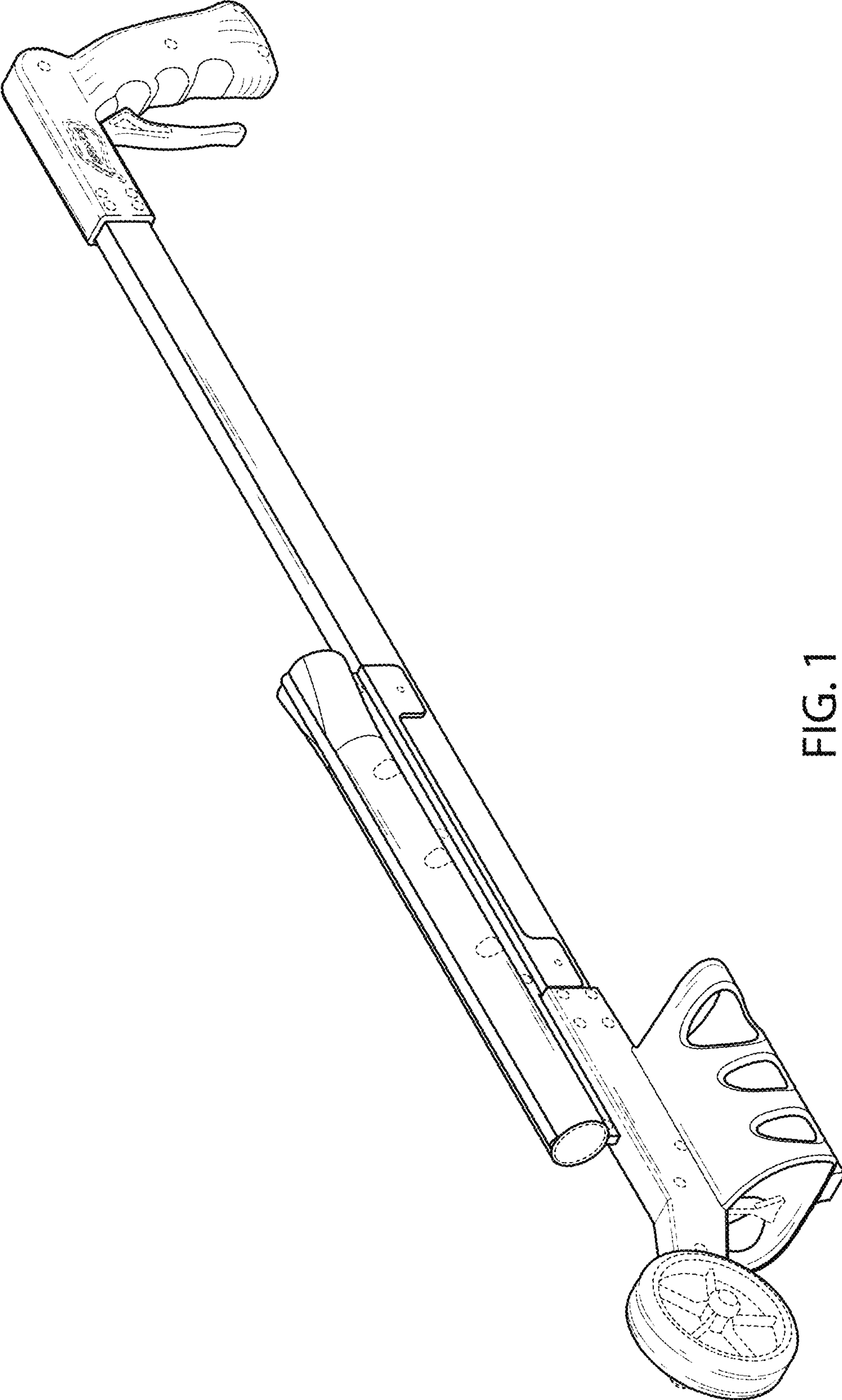


FIG. 1

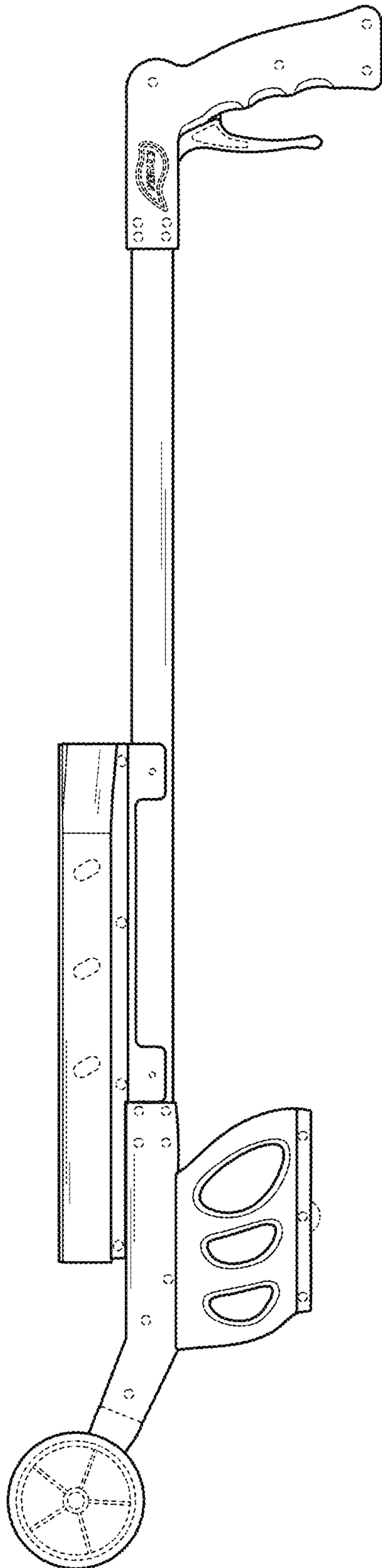


FIG. 2

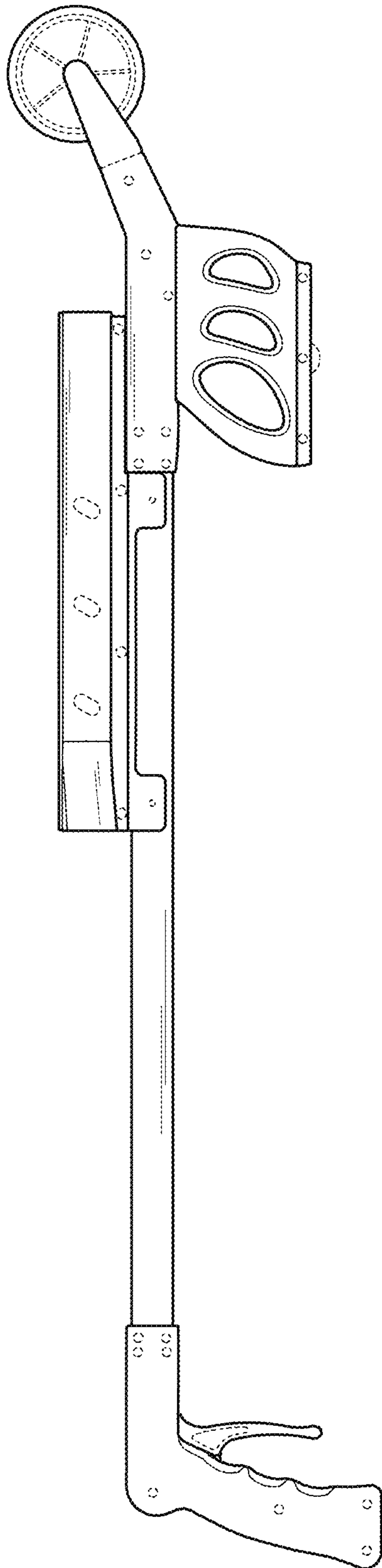


FIG. 3



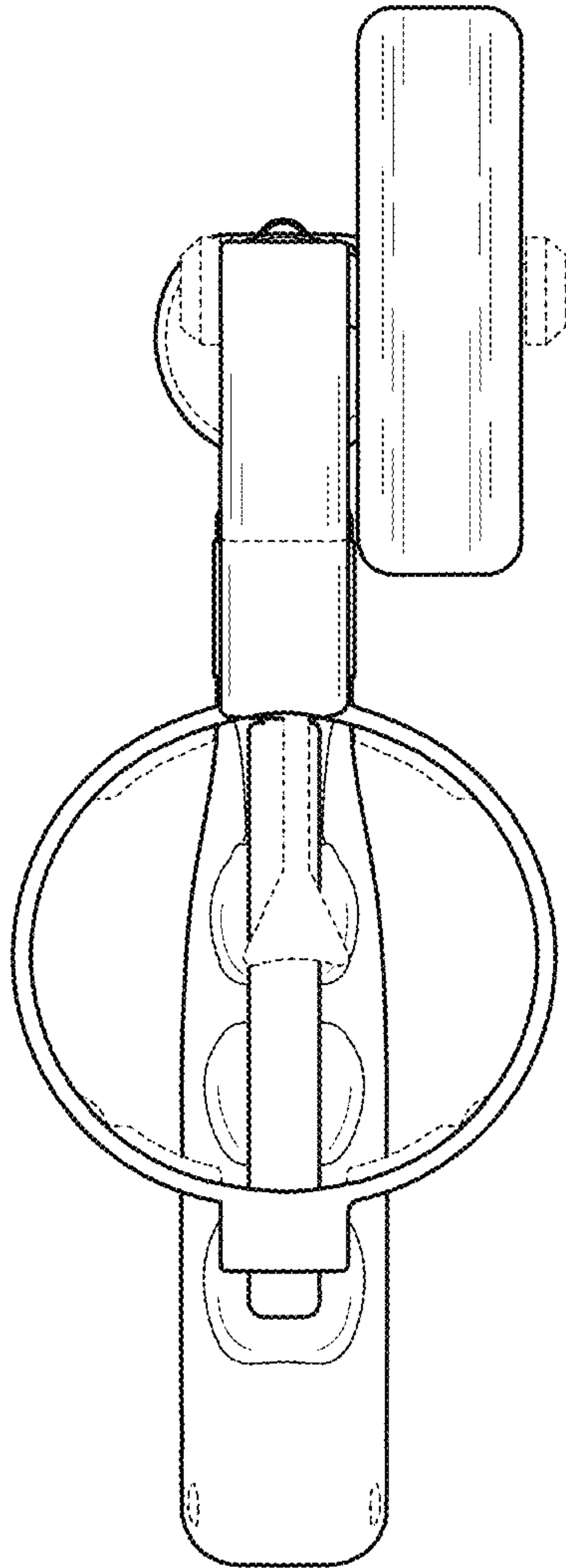


FIG. 4

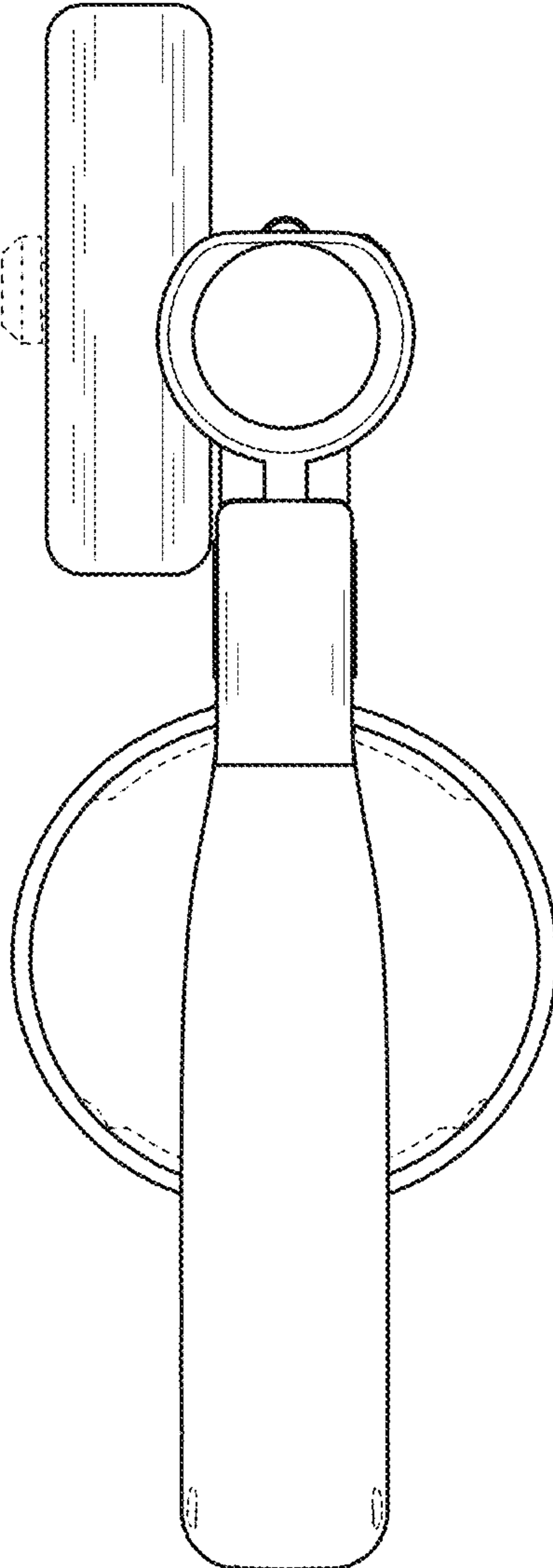


FIG. 5

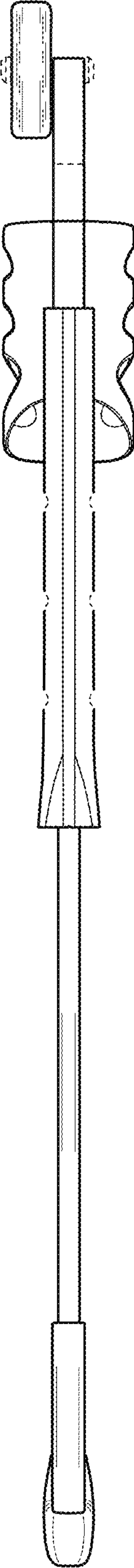


FIG. 6



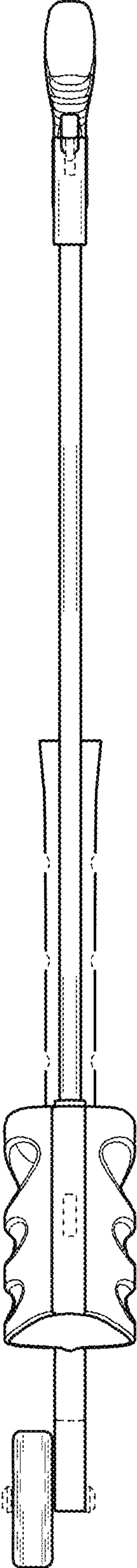


FIG. 7