



US00D964832S

(12) **United States Design Patent** (10) **Patent No.:** **US D964,832 S**  
**Yin** (45) **Date of Patent:** **\*\* Sep. 27, 2022**

(54) **BOTTLE OPENER**  
(71) Applicant: **HUANGSHI FUSUN TRADE CO LTD**, Hubei (CN)

D696,088 S \* 12/2013 Shrock ..... D8/40  
D727,704 S \* 4/2015 Krenkler ..... D8/40  
D763,046 S \* 8/2016 Hume ..... D8/33  
D792,179 S \* 7/2017 Hsieh ..... D8/40  
D802,389 S 11/2017 Kellermann et al.  
D831,454 S \* 10/2018 Lee ..... D8/40  
D923,443 S 6/2021 Banda et al.

(72) Inventor: **Fuwen Yin**, Hubei (CN)

(\*\*) Term: **15 Years**

\* cited by examiner

(21) Appl. No.: **29/813,703**

*Primary Examiner* — Philip S Hyder

(22) Filed: **Nov. 1, 2021**

(57) **CLAIM**

(51) **LOC (13) Cl.** ..... **07-99**

The ornamental design for a bottle opener, as shown and described.

(52) **U.S. Cl.**  
USPC ..... **D8/40; D8/33**

(58) **Field of Classification Search**  
USPC ..... D8/18, 33-43  
CPC .... B67B 7/00; B67B 7/04; B67B 7/06; B67B 7/30; B67B 7/34; B67B 7/14; B67B 7/16; B67B 7/18; B67B 7/20; B67B 7/44  
See application file for complete search history.

**DESCRIPTION**

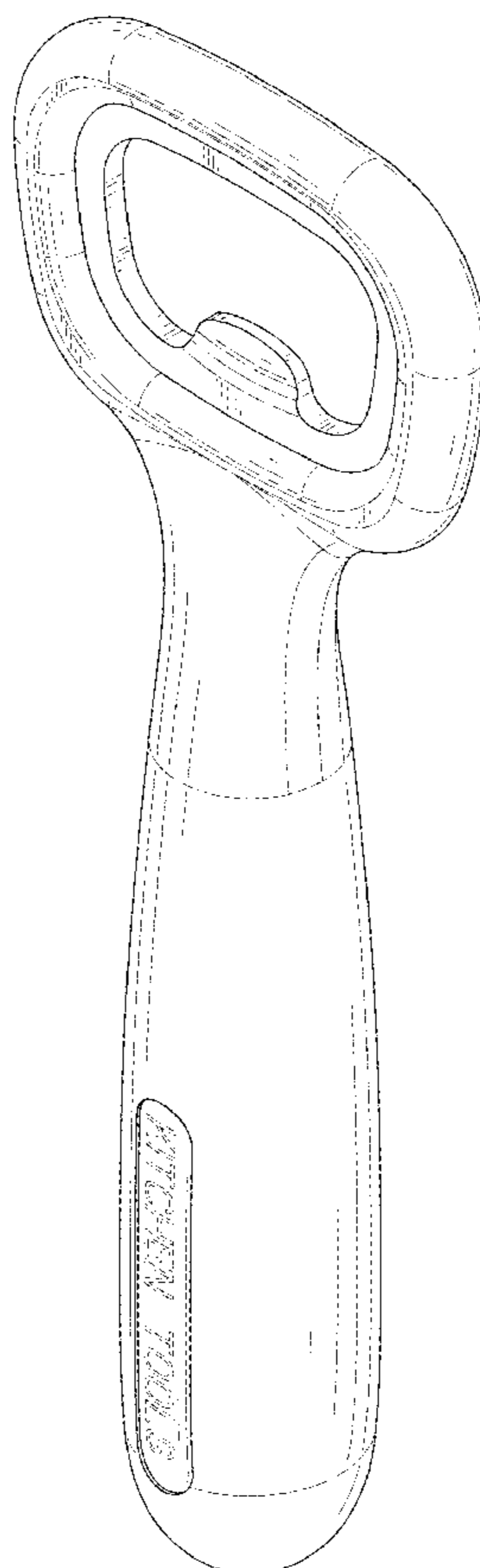
(56) **References Cited**

**U.S. PATENT DOCUMENTS**

D394,790 S \* 6/1998 Joergensen ..... D8/33  
D456,227 S \* 4/2002 Tse ..... D8/33  
D479,967 S \* 9/2003 Schulein ..... D8/40  
D495,572 S \* 9/2004 Yeung ..... D8/40  
D519,010 S \* 4/2006 Oas ..... D8/34  
D637,463 S \* 5/2011 Silvers ..... D8/18

FIG. 1 is a front and top perspective view of a bottle opener, showing my new design;  
FIG. 2 is a rear and bottom perspective view thereof;  
FIG. 3 is a front elevation view thereof;  
FIG. 4 is a rear elevation view thereof;  
FIG. 5 is a left side elevation view thereof;  
FIG. 6 is a right side elevation view thereof;  
FIG. 7 is a top plan view thereof; and,  
FIG. 8 is a bottom plan view thereof.  
The broken lines in the figures illustrate portions of the bottle opener that form no part of the claimed design.

**1 Claim, 8 Drawing Sheets**



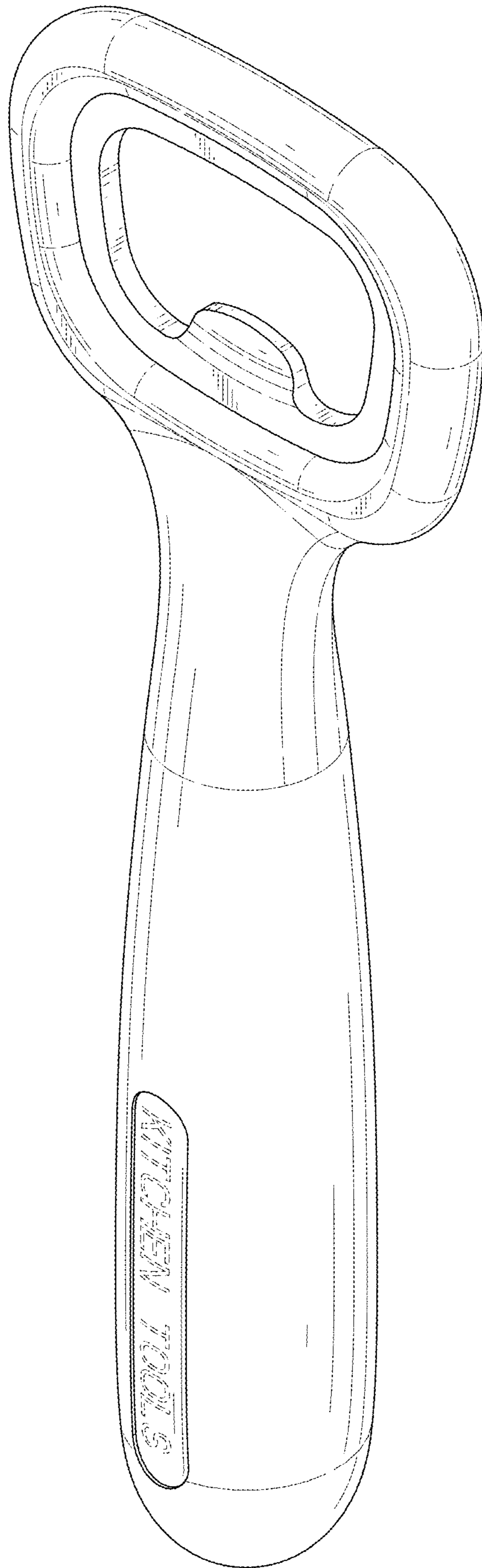


FIG. 1

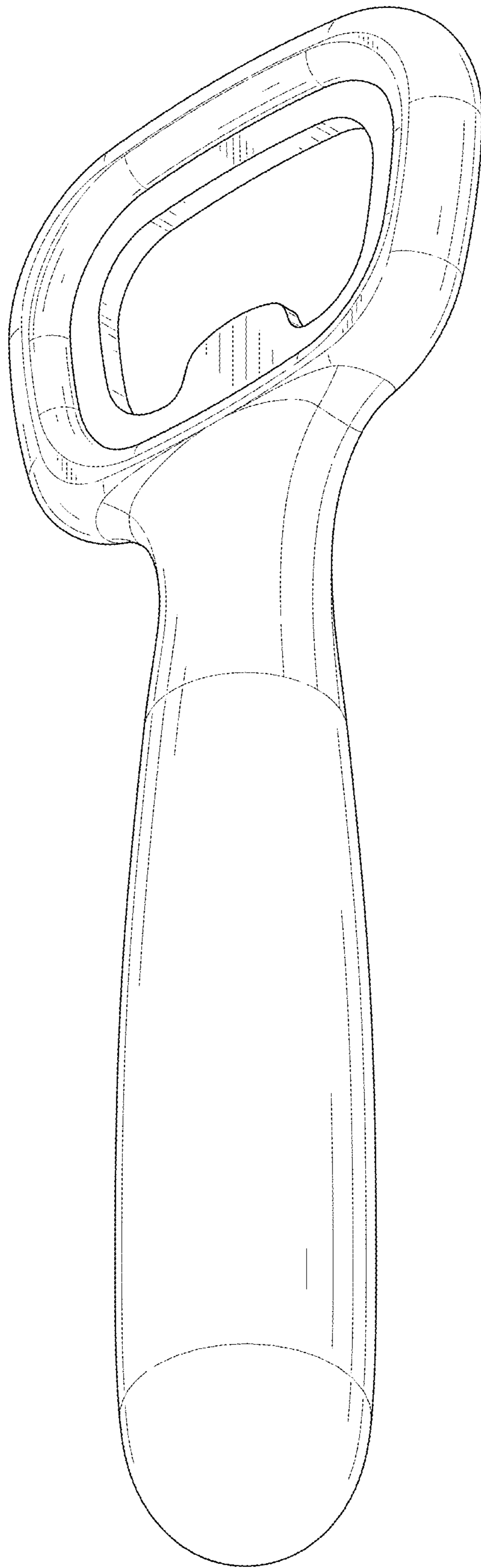


FIG. 2

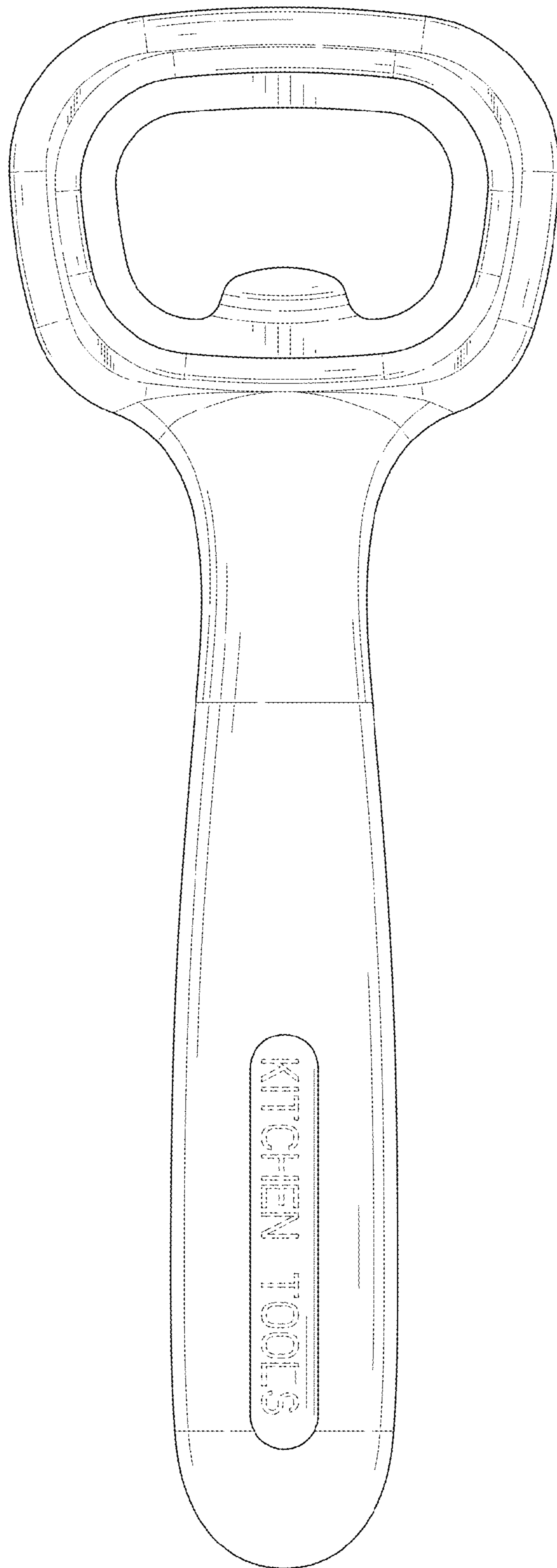


FIG. 3

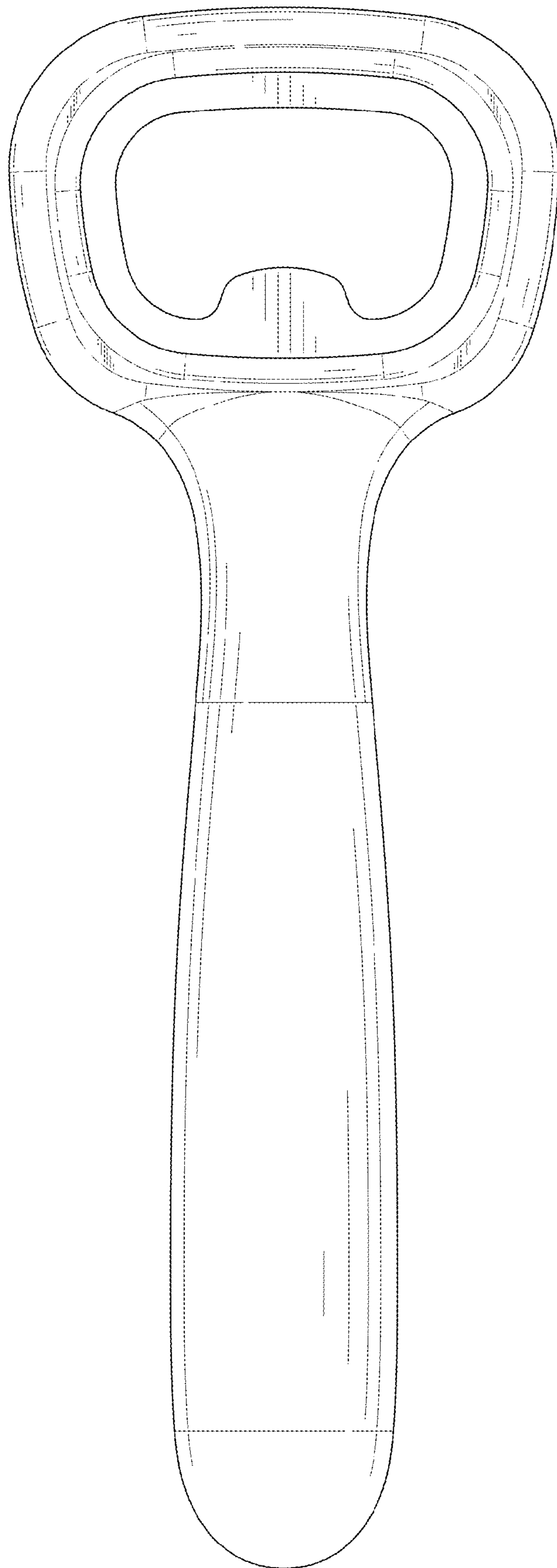


FIG. 4

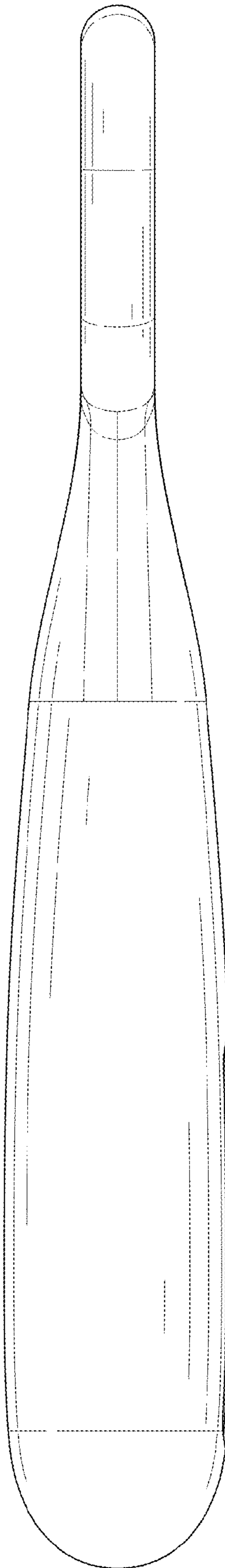


FIG. 5

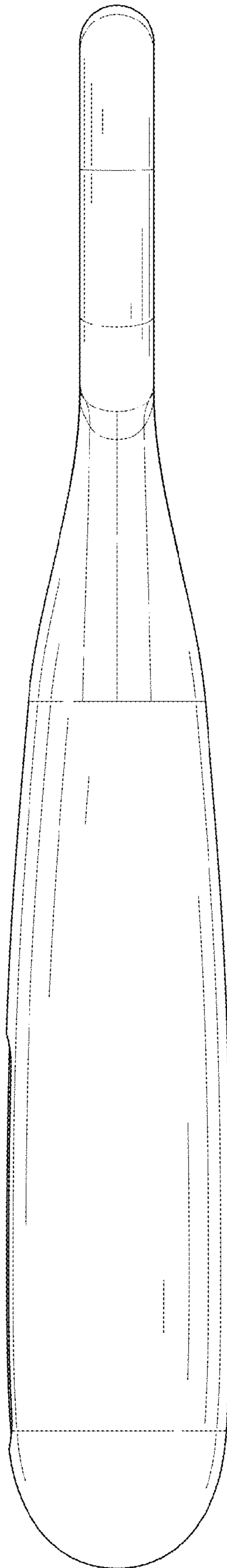


FIG. 6

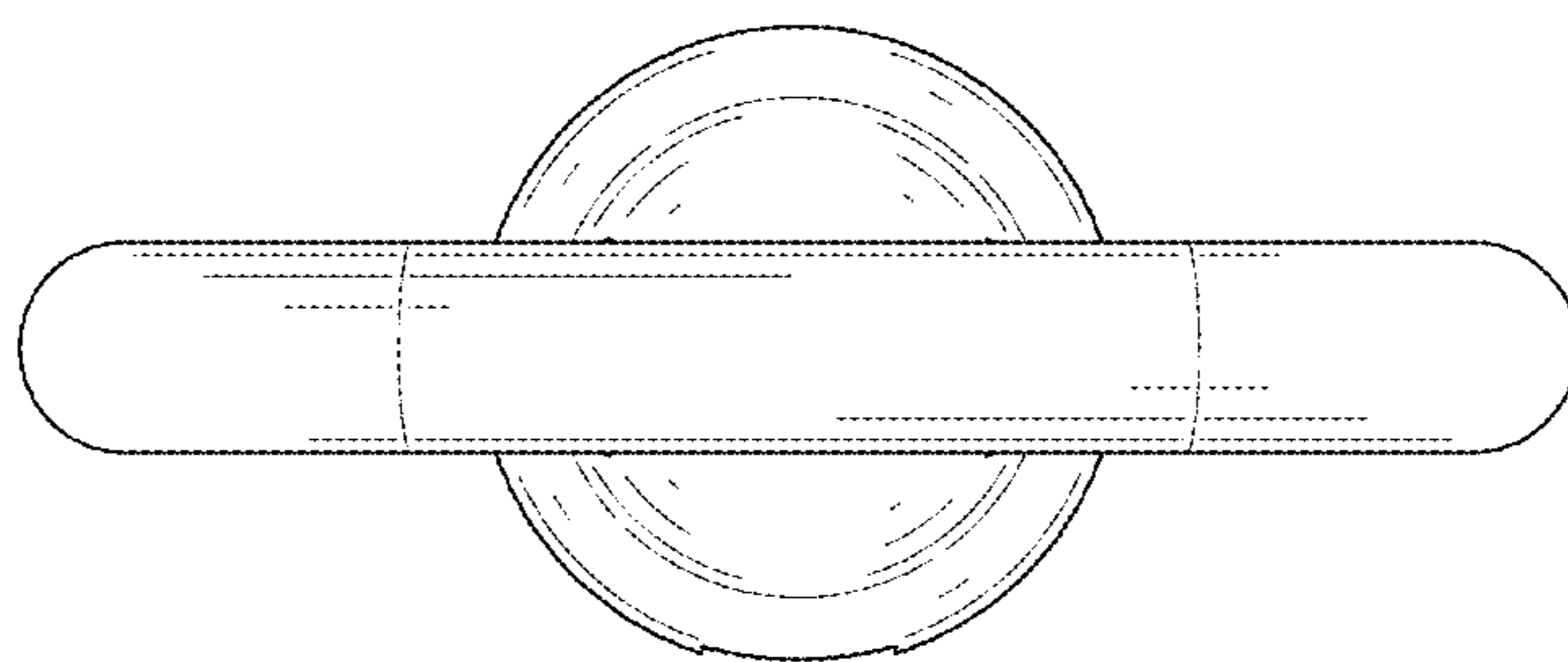


FIG. 7



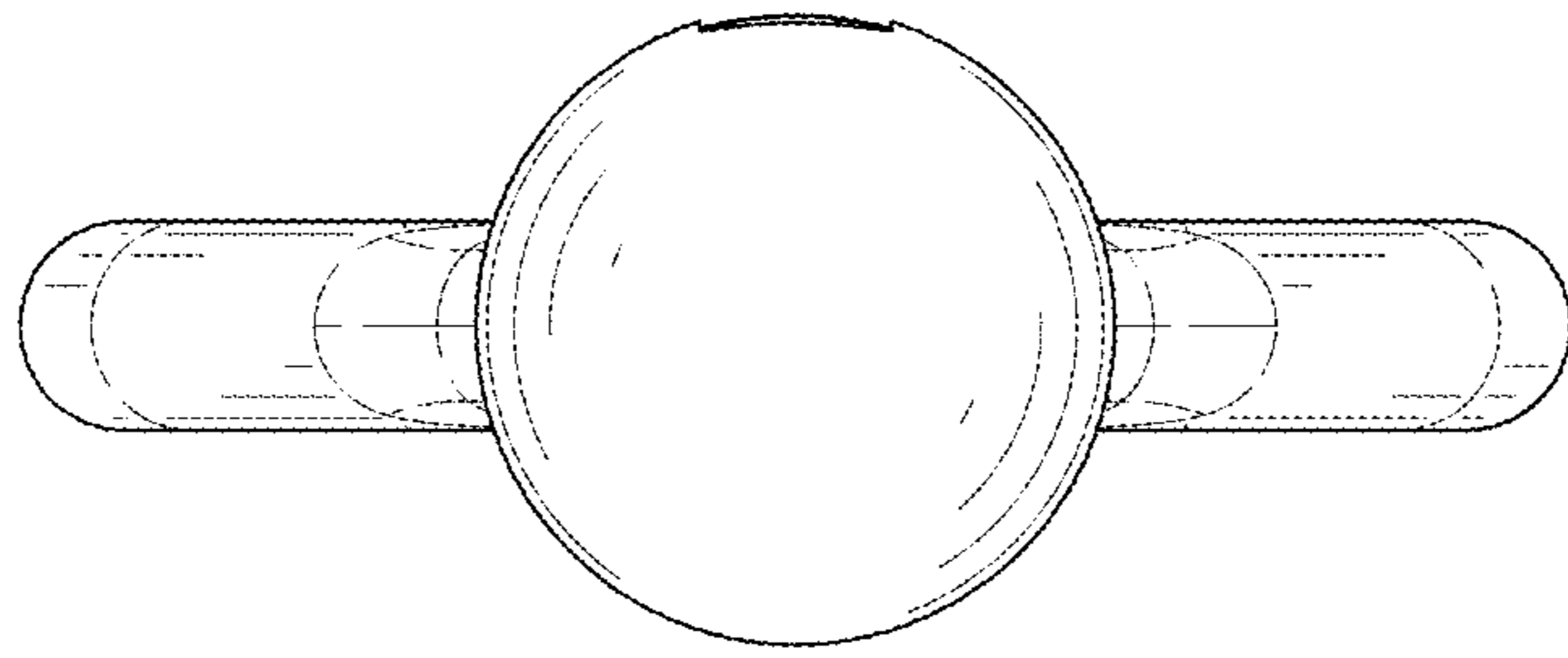


FIG. 8