



US00D964831S

(12) **United States Design Patent**
Hu

(10) **Patent No.:** **US D964,831 S**

(45) **Date of Patent:** **** Sep. 27, 2022**

(54) **SOCKET TOOL**

(71) Applicant: **Qinglan Hu**, Pingxiang (CN)

(72) Inventor: **Qinglan Hu**, Pingxiang (CN)

(**) Term: **15 Years**

(21) Appl. No.: **29/783,805**

(22) Filed: **May 14, 2021**

(51) **LOC (13) Cl.** **08-05**

(52) **U.S. Cl.**
USPC **D8/29**

(58) **Field of Classification Search**

USPC D8/21-29

CPC B25B 13/06; B25B 13/10; B25B 23/0035;

B25B 23/02; B25B 23/14; B25B 13/00;

B25G 1/043; F16L 55/1108; F16L

55/1152; F16B 7/0433; G09F 13/20;

G09F 2003/0251; G09F 3/02; B23B

2231/0248

See application file for complete search history.

(56) **References Cited**

U.S. PATENT DOCUMENTS

D570,169 S * 6/2008 Lin D8/29

D636,651 S 4/2011 Wang et al.

D637,051 S * 5/2011 Li D8/29

D709,343 S 7/2014 Huang

D749,388 S * 2/2016 Lee D8/29

D801,769 S * 11/2017 Chou D8/29

D834,903 S 12/2018 Lee

D854,899 S * 7/2019 Su D8/29

(Continued)

FOREIGN PATENT DOCUMENTS

CN 306475449 * 10/2020

CN 307105581 * 9/2021

(Continued)

OTHER PUBLICATIONS

LYHLYA, Adjustable Socket Wrench Universal Socket Adaptive,
Date first available Mar. 27, 2021, [online]retrieved Apr. 26, 2022,

available from https://www.amazon.com/Adjustable-Universal-Adaptive-All-Fitting-Attachment/dp/B0916QY553/ref=asc_df_B0916QY553/?tag=hyprod-20&linkCode=df0&hvadid=563689353499&hvp (Year: 2021).*

(Continued)

Primary Examiner — Keli L Hill

Assistant Examiner — Sara S Sahneh

(74) *Attorney, Agent, or Firm* — Jeenam Park

(57) **CLAIM**

The ornamental design for an socket tool, as shown and described.

DESCRIPTION

FIG. 1 is a perspective view of a socket tool showing my new design according to a first embodiment;

FIG. 2 is a front view thereof;

FIG. 3 is a rear view thereof;

FIG. 4 is a left side view thereof;

FIG. 5 is a right side view thereof;

FIG. 6 is a bottom plan view thereof;

FIG. 7 is a top plan view thereof;

FIG. 8 is a perspective view in a use state;

FIG. 9 is a perspective view in another use state;

FIG. 10 is a perspective view of a socket tool showing my new design according to a second embodiment;

FIG. 11 is a front view thereof;

FIG. 12 is a rear view thereof;

FIG. 13 is a left side view thereof;

FIG. 14 is a right side view thereof;

FIG. 15 is a bottom plan view thereof;

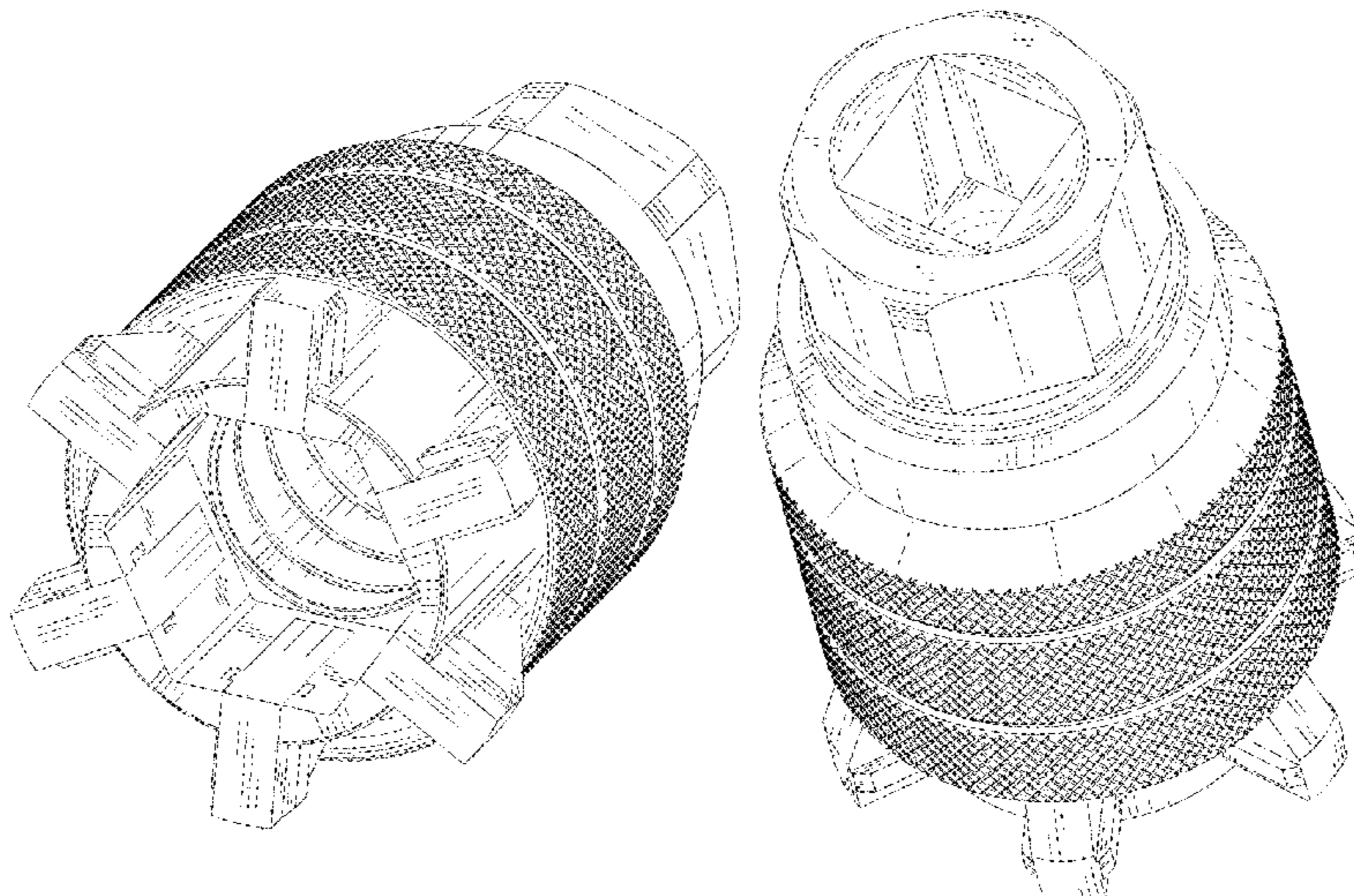
FIG. 16 is a top plan view thereof;

FIG. 17 is a perspective view in a use state; and,

FIG. 18 is a perspective view in another use state.

The broken lines shown in the drawings depict portions of the socket tool in which the design is embodied, that form no part of the claimed design.

1 Claim, 18 Drawing Sheets



(56)

References Cited

U.S. PATENT DOCUMENTS

D899,915 S * 10/2020 Chen D8/370
2012/0085202 A1 * 4/2012 Huang B25B 13/10
81/90.3
2018/0354104 A1 * 12/2018 Su B25B 23/0035
2019/0039226 A1 * 2/2019 Lin B25B 13/06
2020/0016728 A1 * 1/2020 Clifton B25B 13/48
2020/0368880 A1 * 11/2020 Chiang B25B 13/06
2021/0283756 A1 * 9/2021 Kukucka B25B 13/50
2021/0367375 A1 * 11/2021 Anderson B25B 23/0028

FOREIGN PATENT DOCUMENTS

EM 008539423-0002 * 5/2021
ID D0000032582-0001 * 12/2011
JP D1630401 * 11/2018

OTHER PUBLICATIONS

EFFECTEER, Adjustable Socket with Drill Adapter, Date first available Aug. 10, 2021, [online]retrieved Apr. 26, 2022,available from https://www.amazon.com/Adjustable-Adapter-Standard-10-19mm-Christmas/dp/B09C89P67P/ref=psdc_553424_t1_B0916QY553?th=1 (Year: 2021).*

BTMIEY, Universal Adjustable Socket Wrench, Date first available Aug. 19, 2021, [online]retrieved Apr. 26, 2022,available from https://www.amazon.com/Universal-Adjustable-Socket-Ratchet-Adapter/dp/B09D3KMFVFX/ref=pd_di_sccai_cn_sccl_2_44/142-8601271-8577630?pd_rd_w=liOXB&pf_rd_p=1ed8df3a-0df8-4988-98b9-25 (Year: 2021).*

* cited by examiner

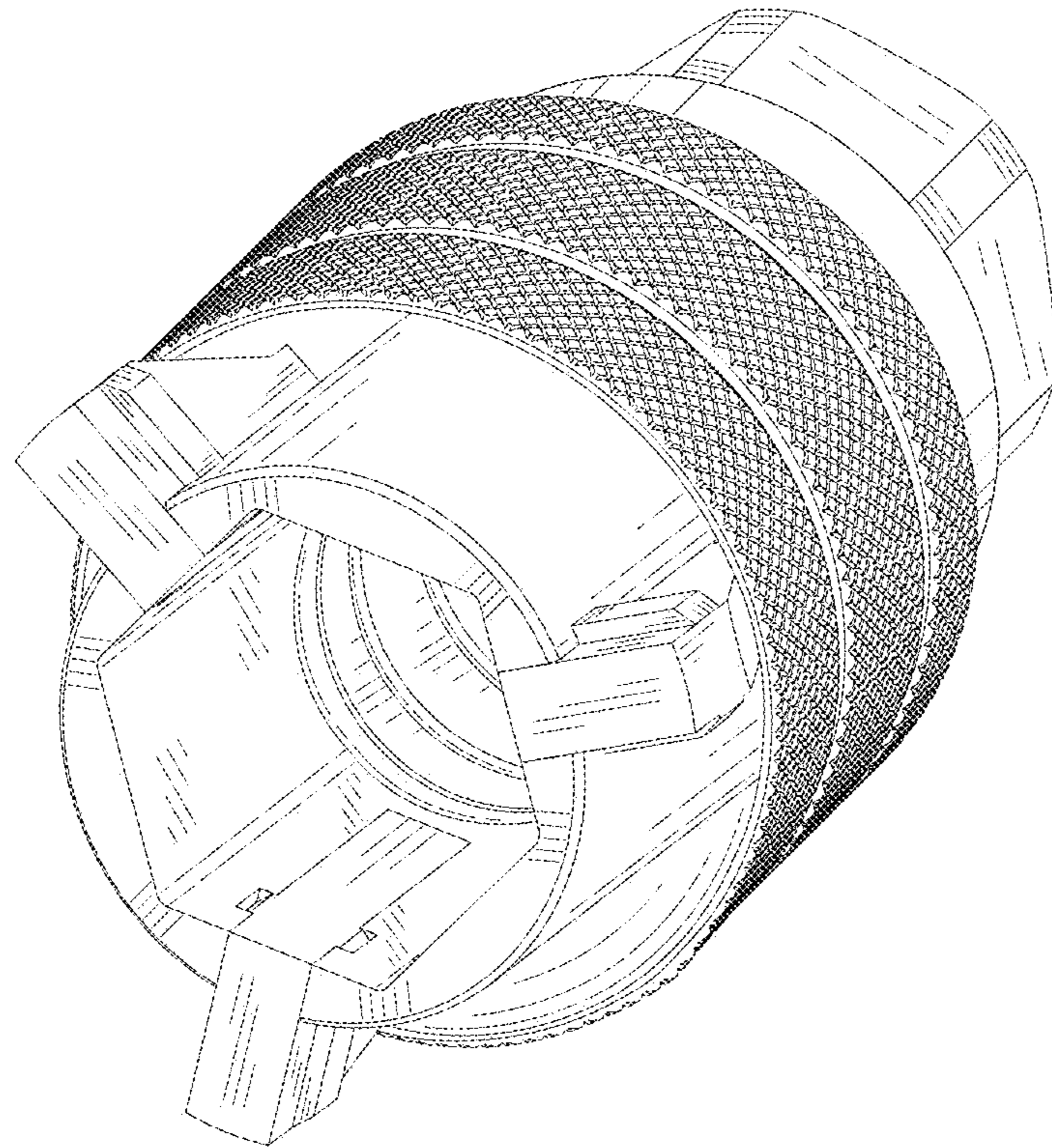


FIG . 1

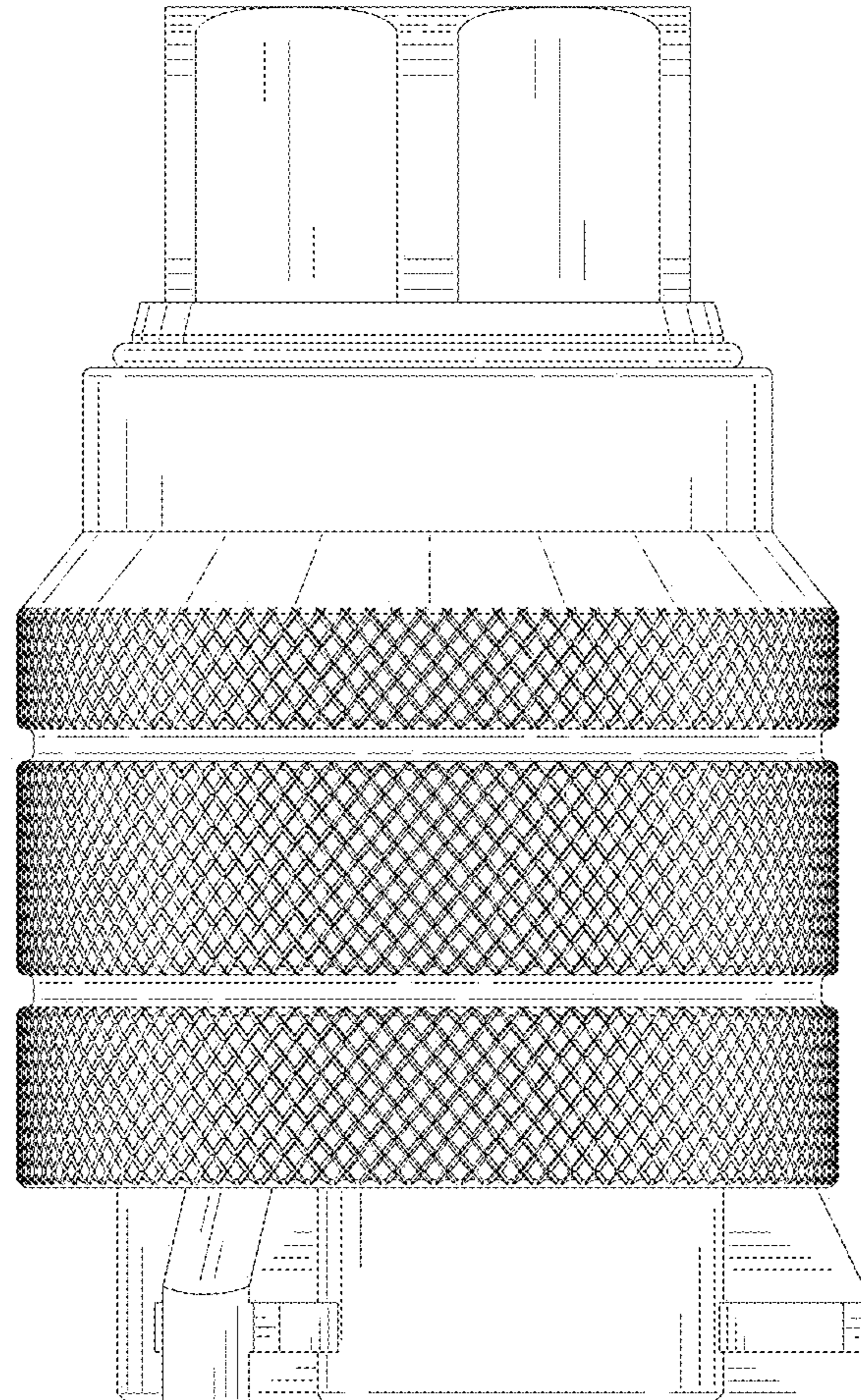


FIG . 2

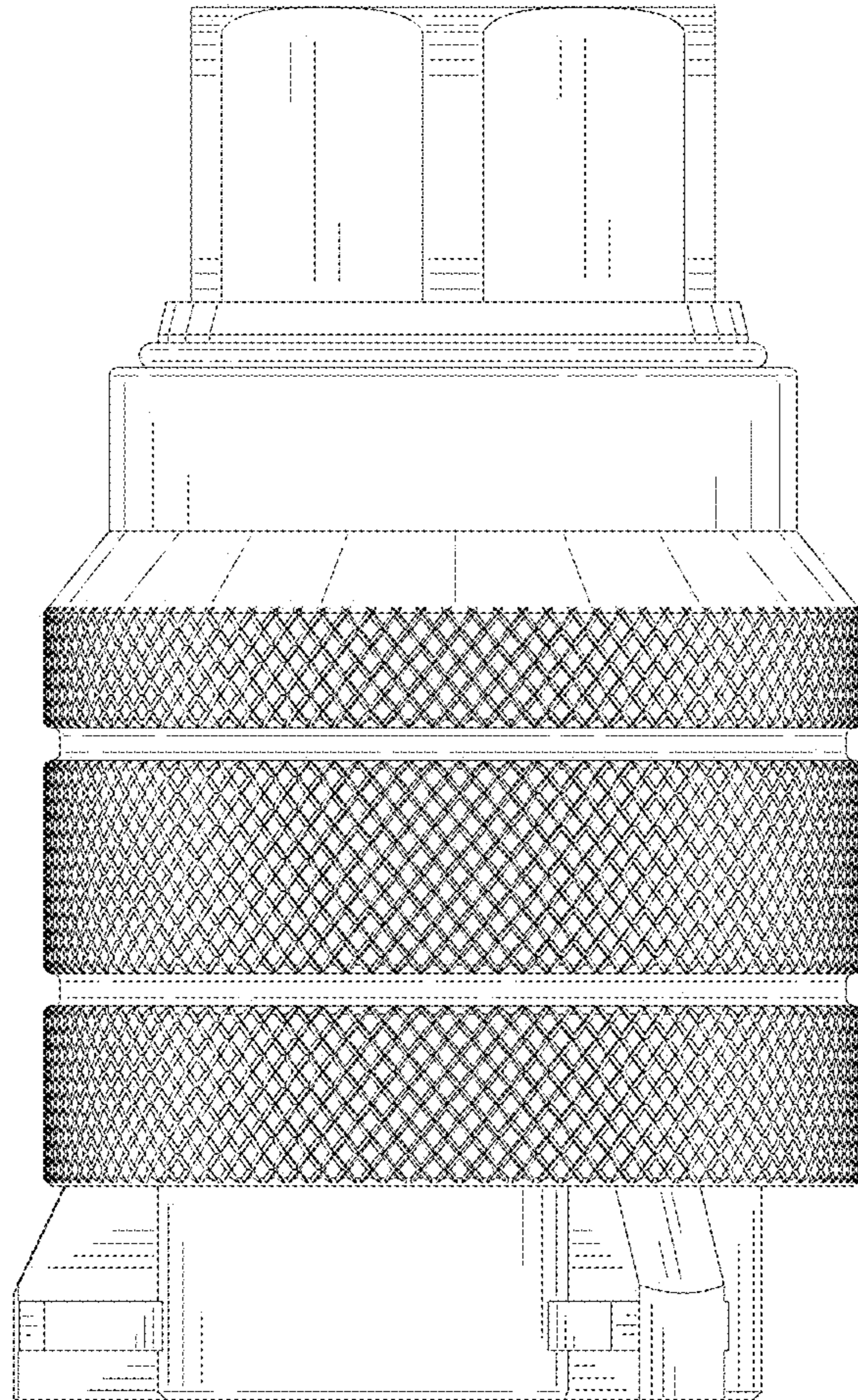


FIG . 3

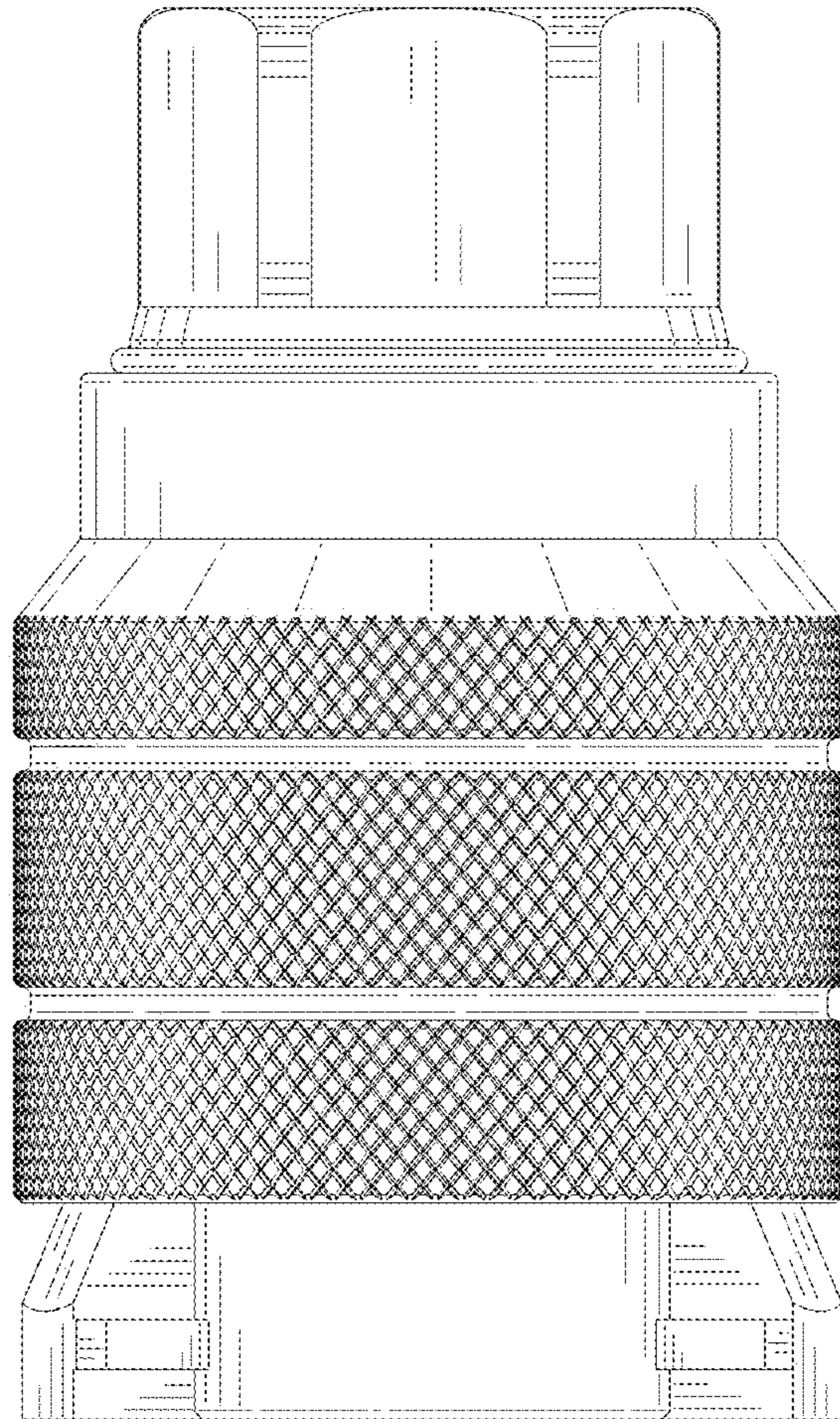


FIG . 4

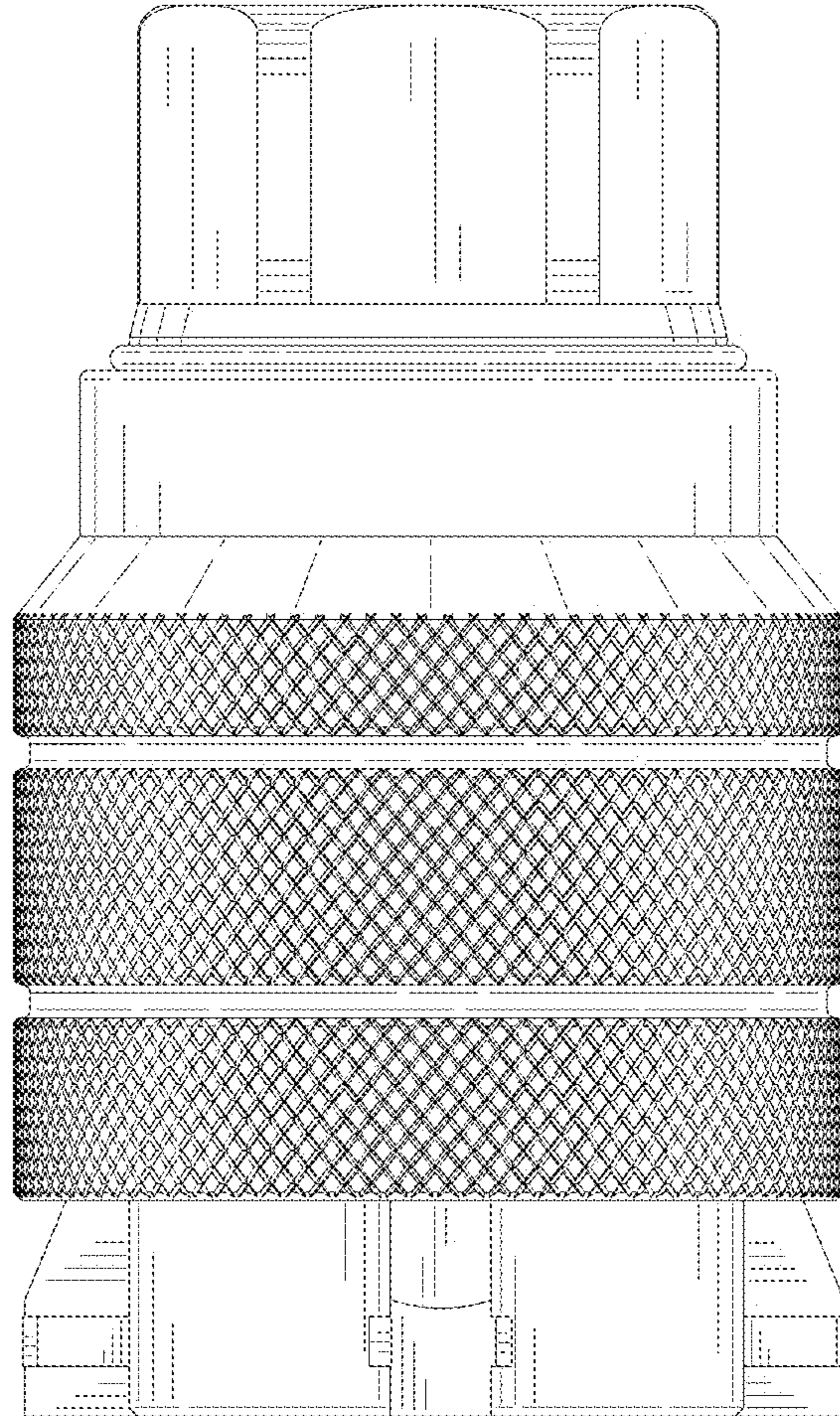


FIG . 5

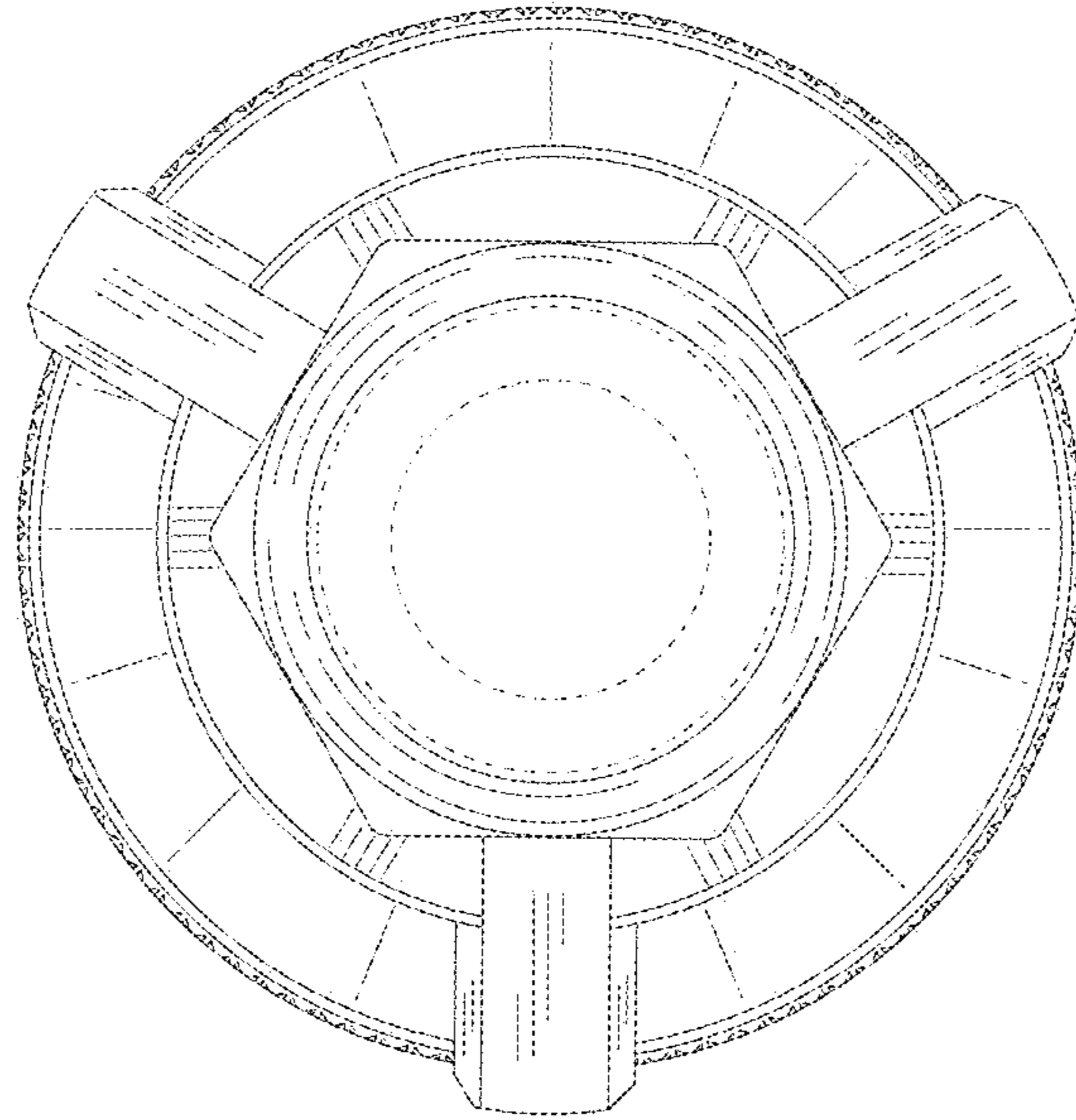


FIG . 6

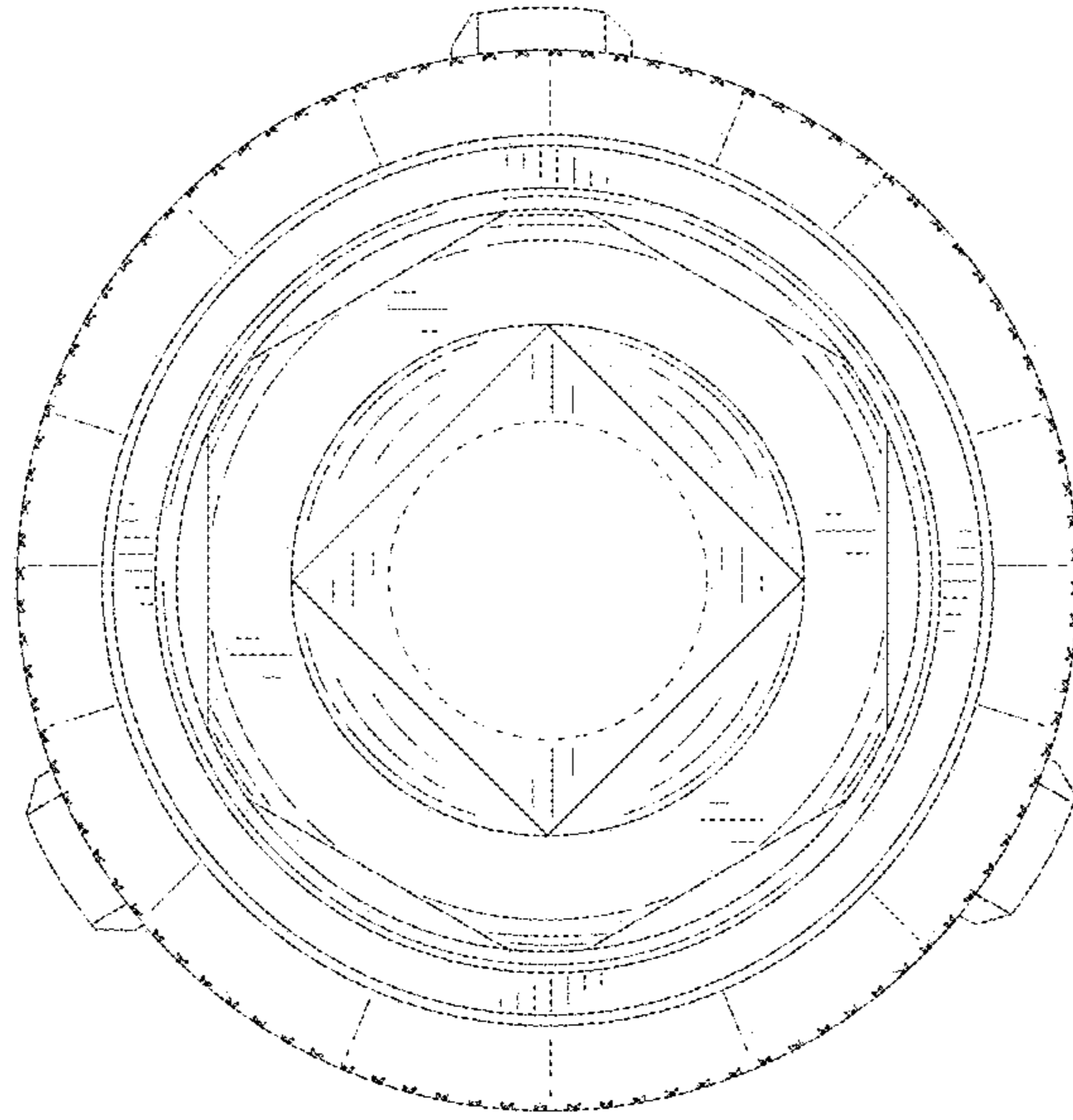


FIG . 7

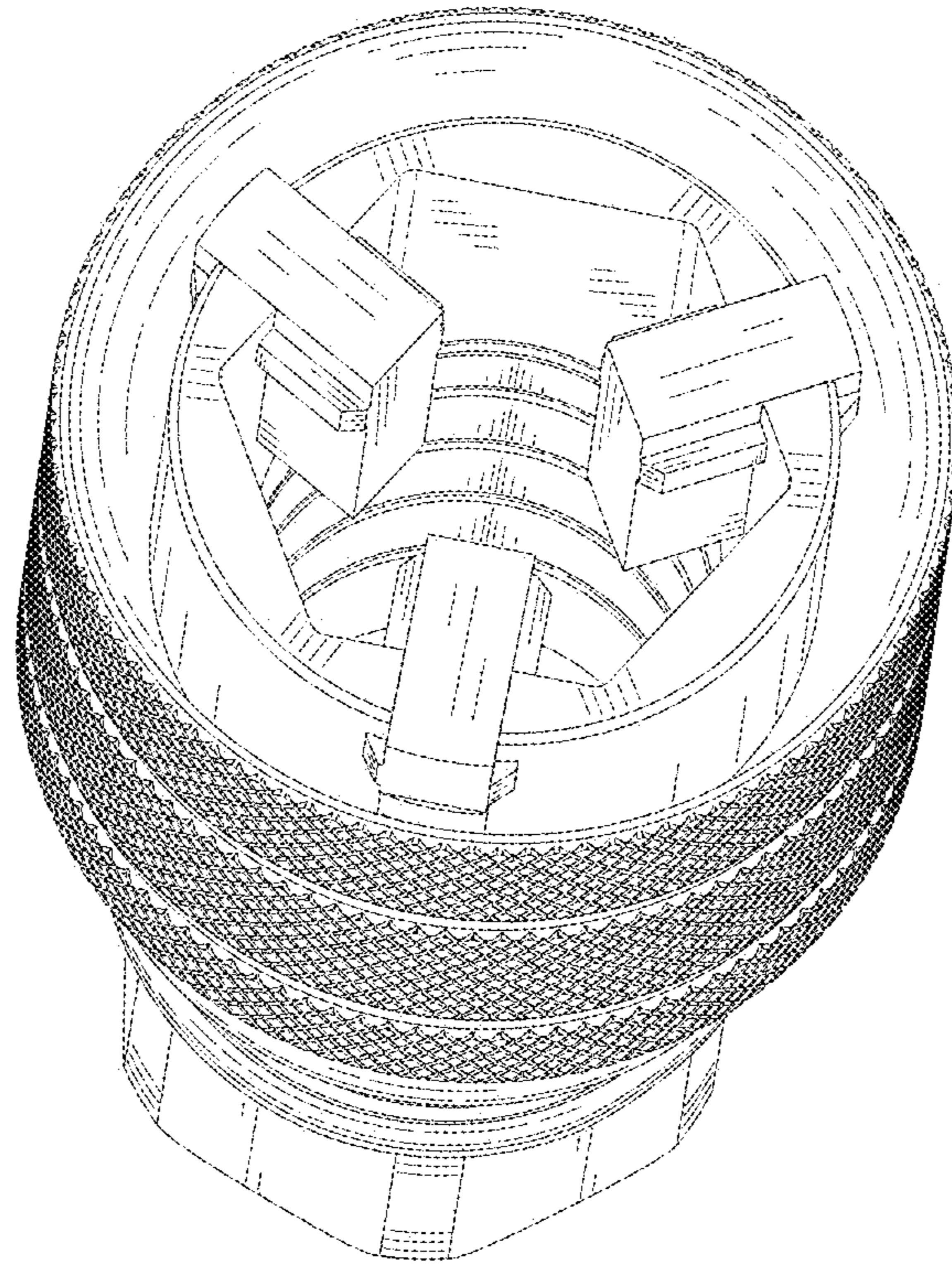


FIG . 8

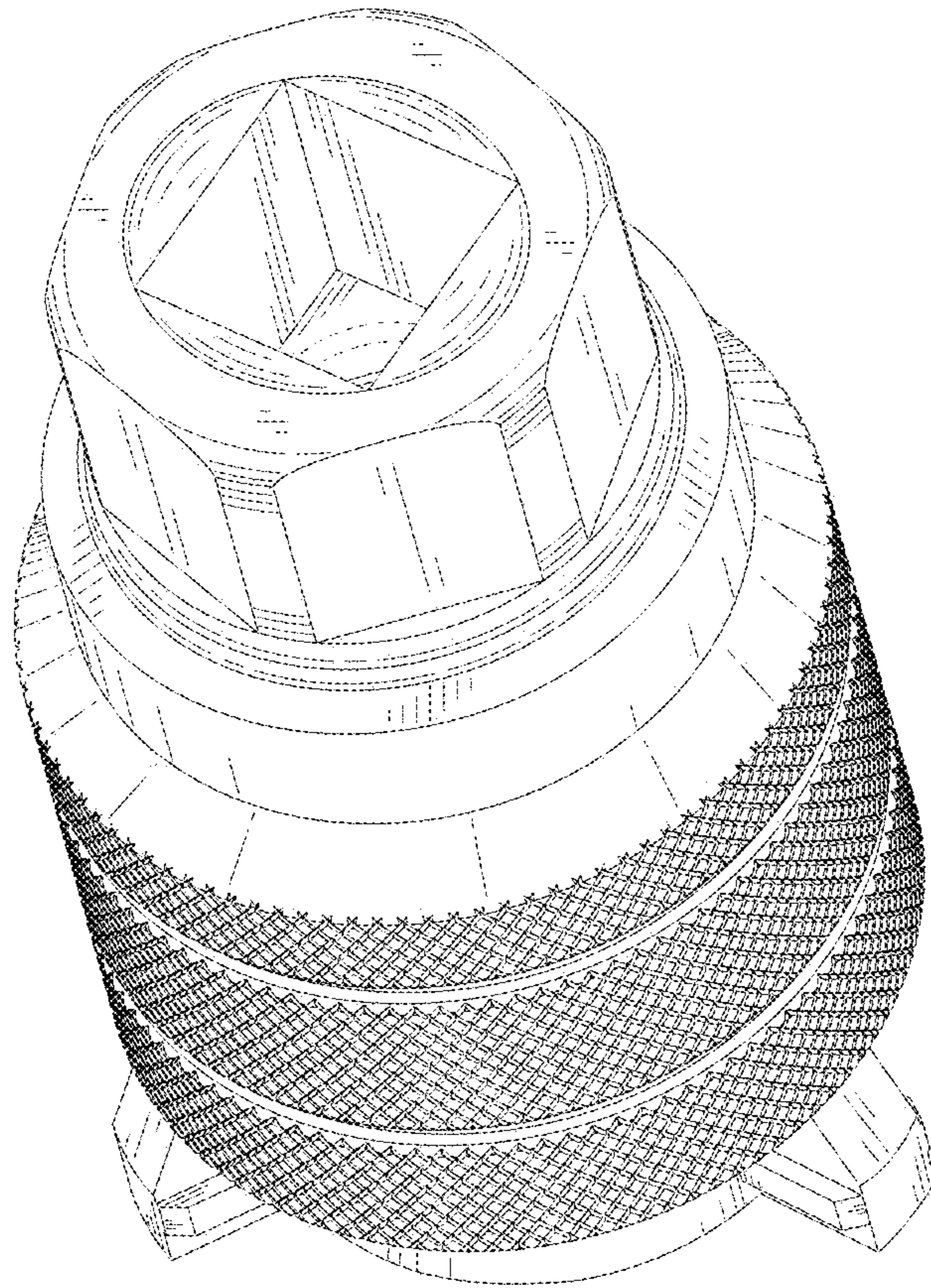


FIG . 9

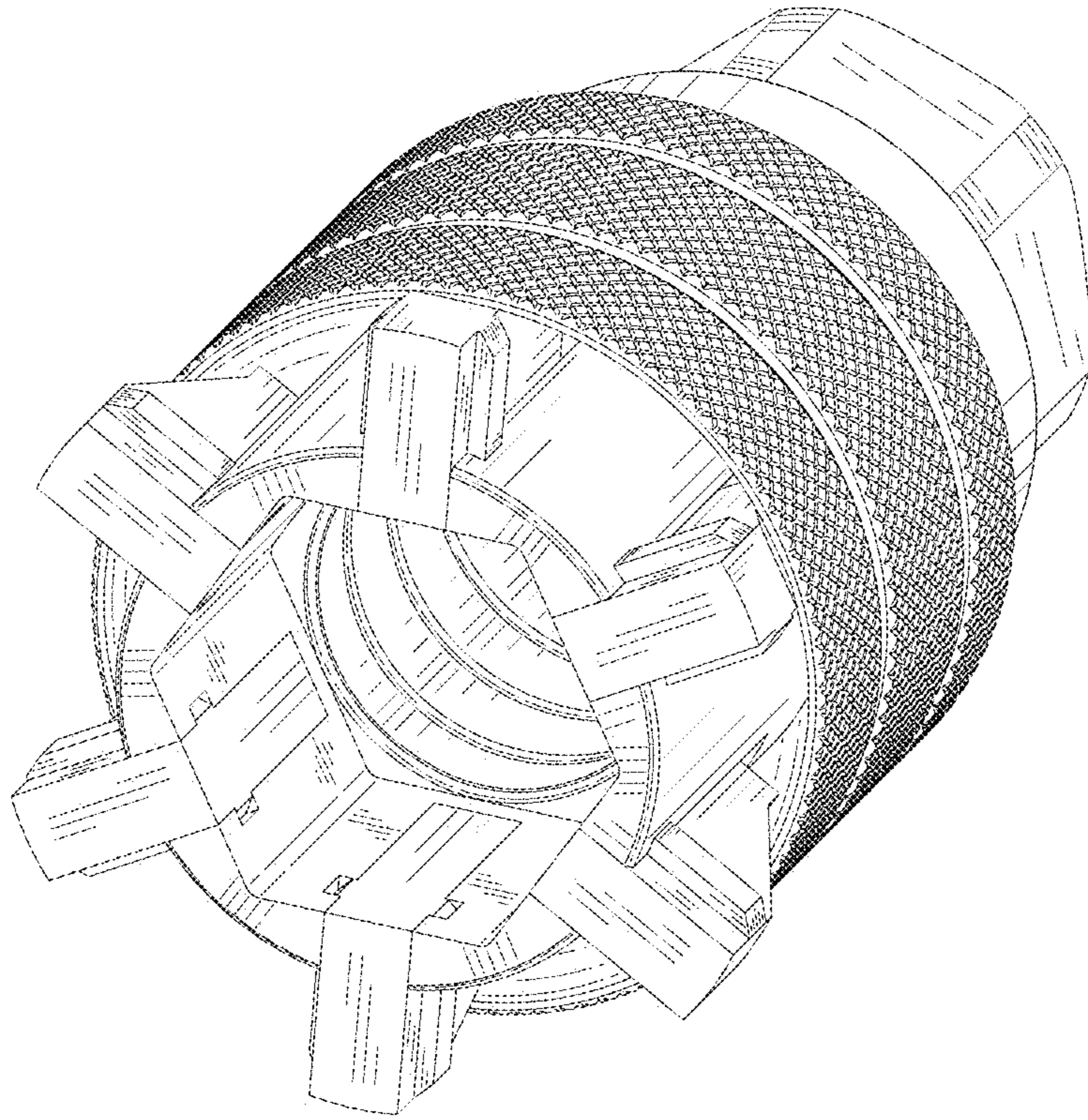


FIG . 10

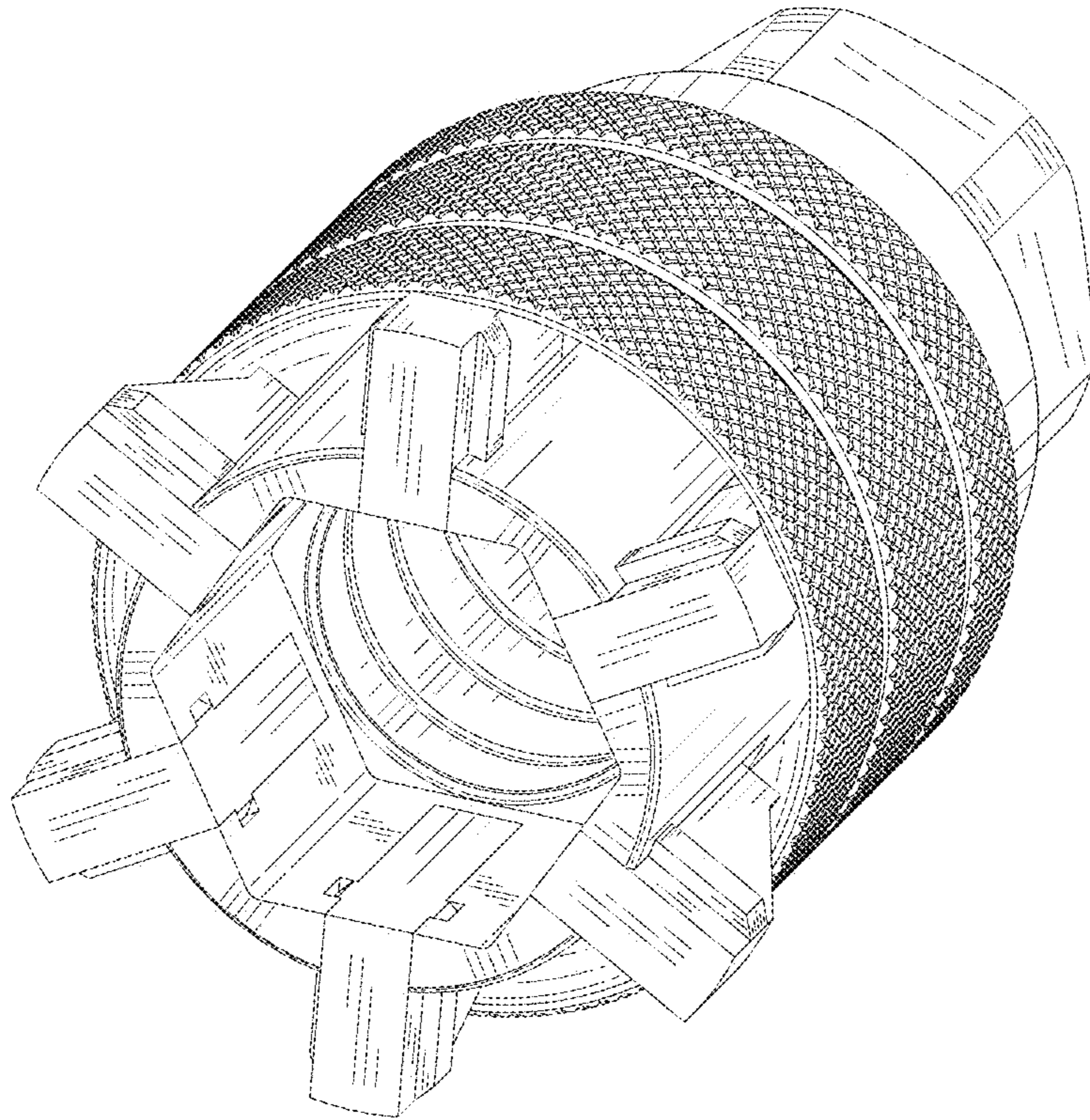


FIG . 11

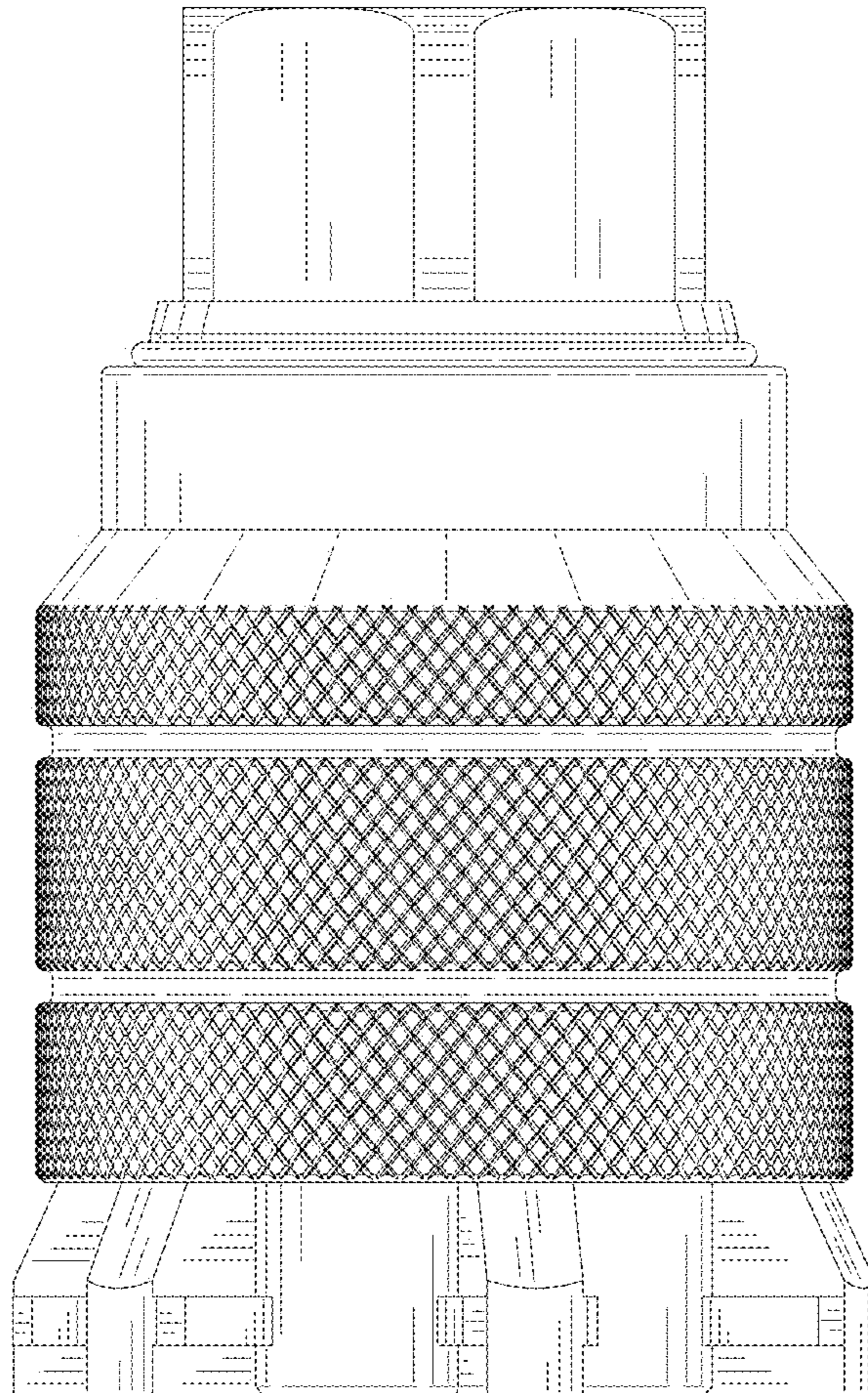


FIG . 12

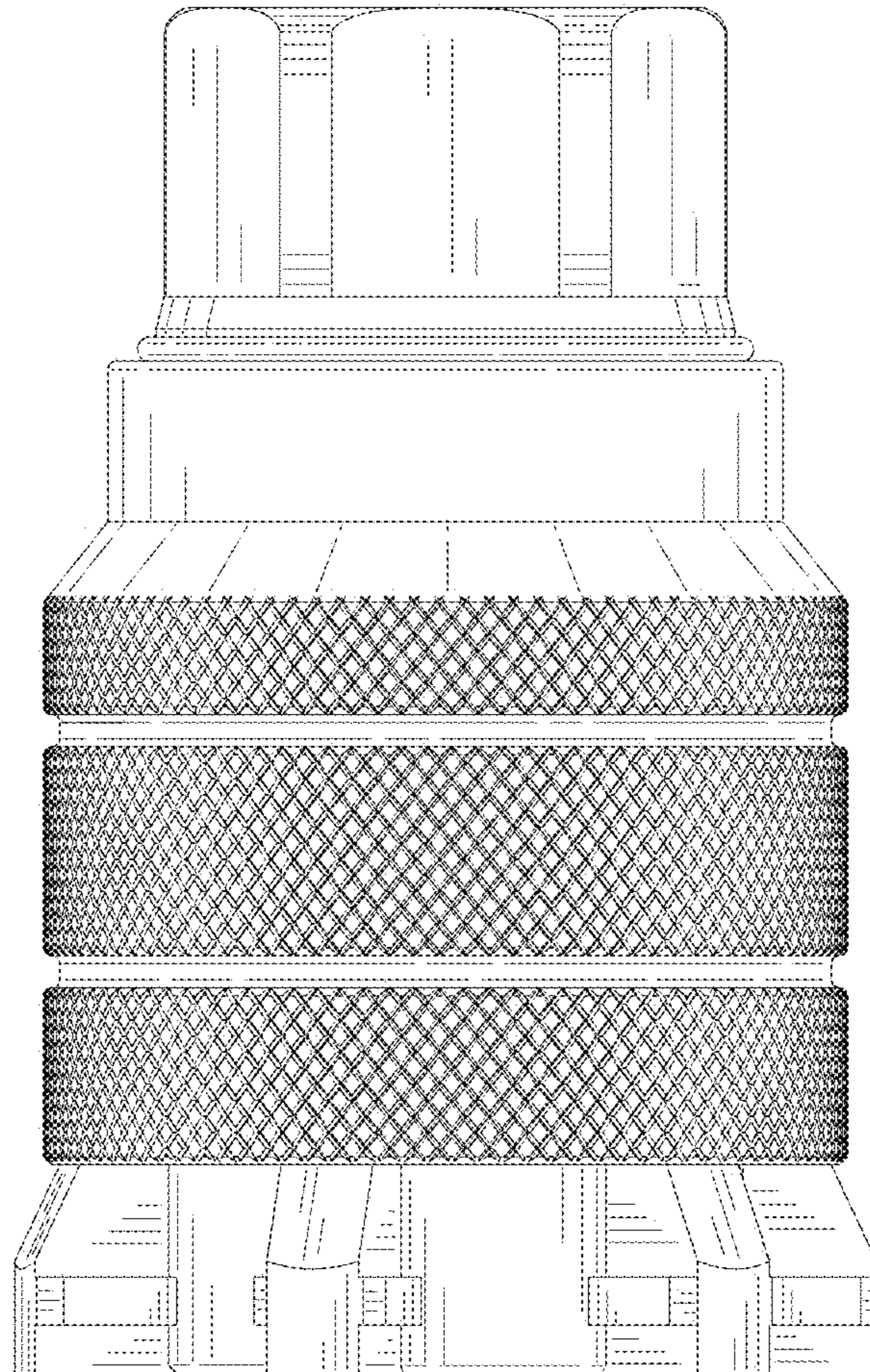


FIG . 13

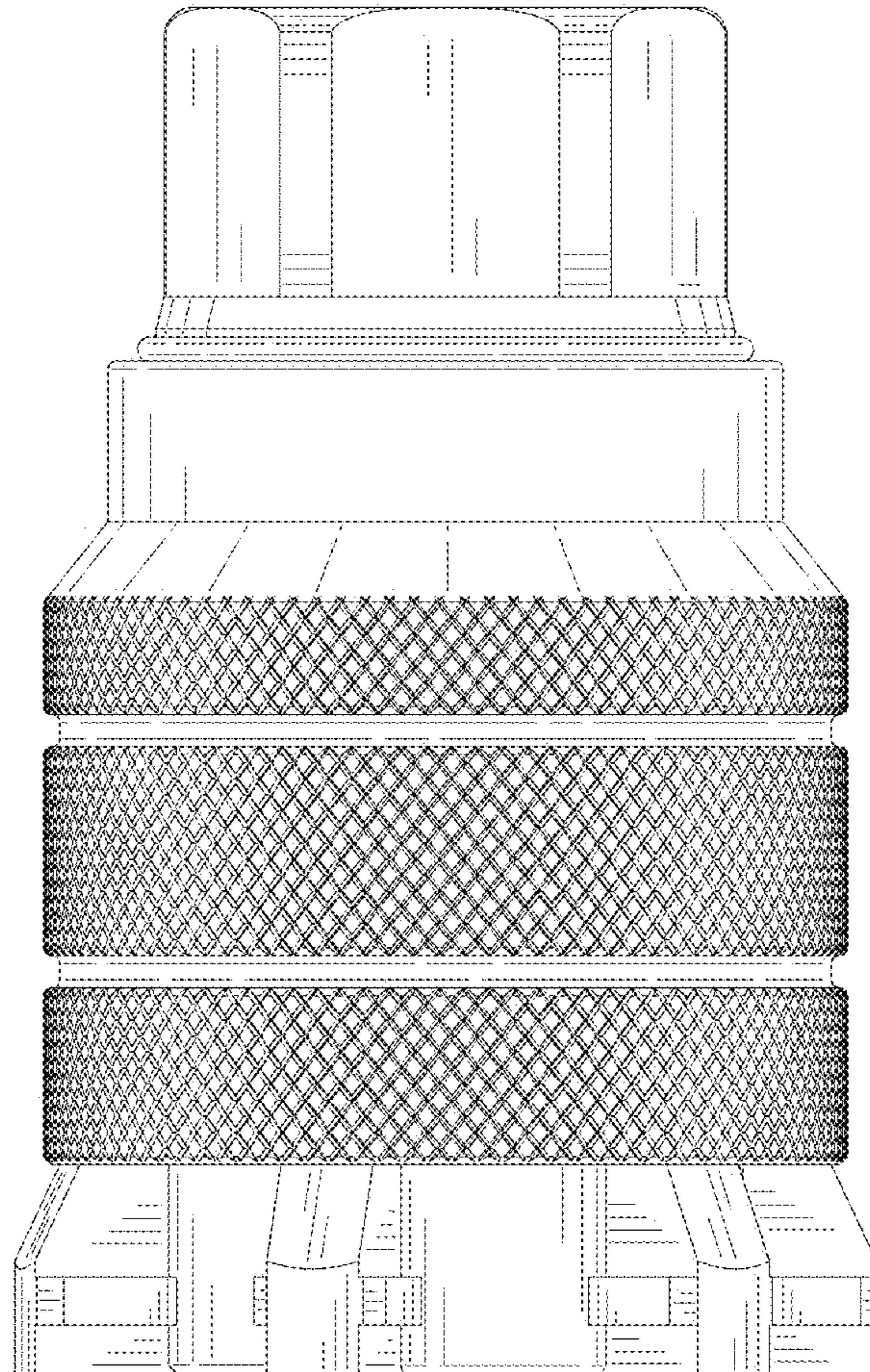


FIG . 14

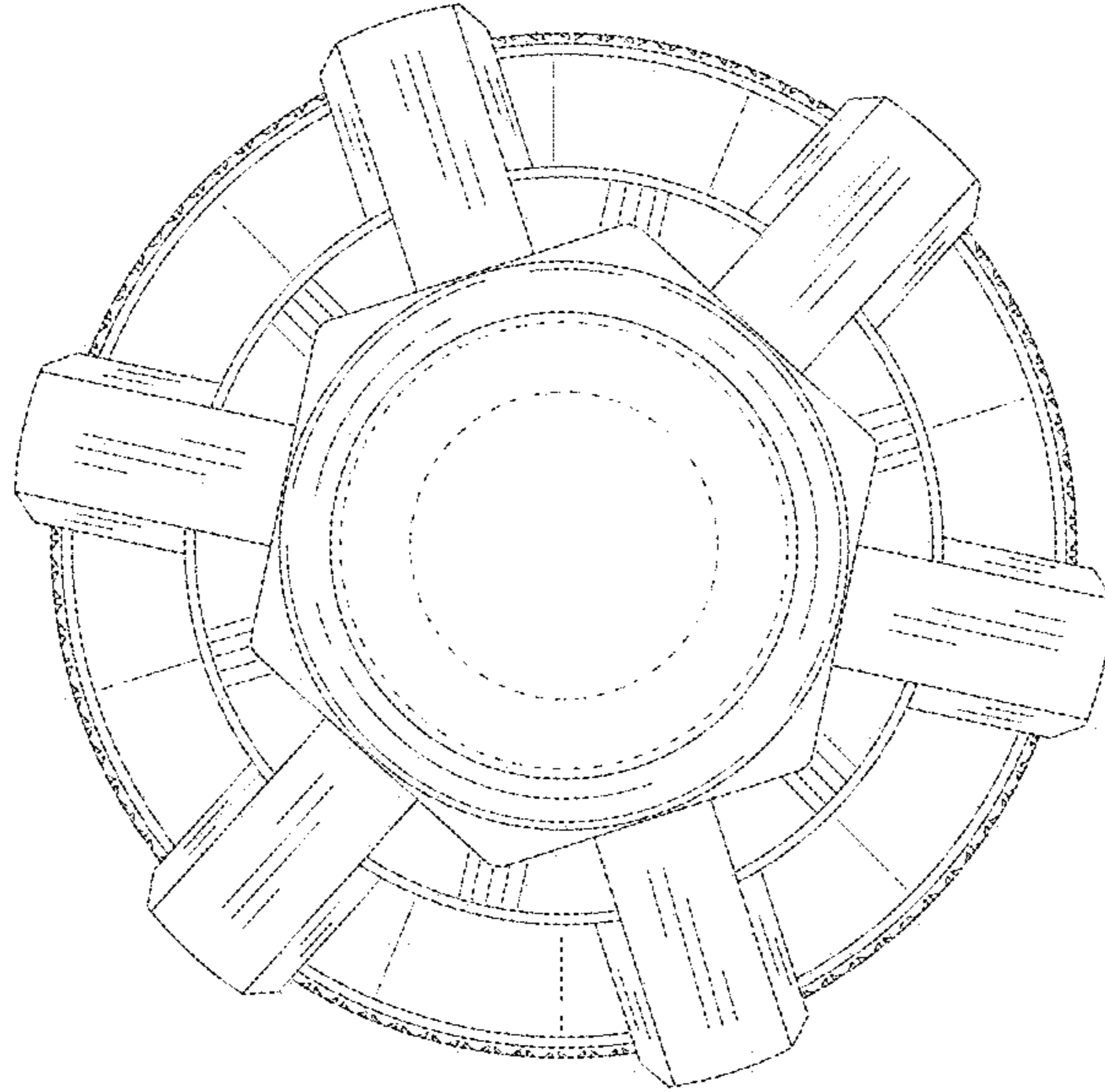


FIG . 15

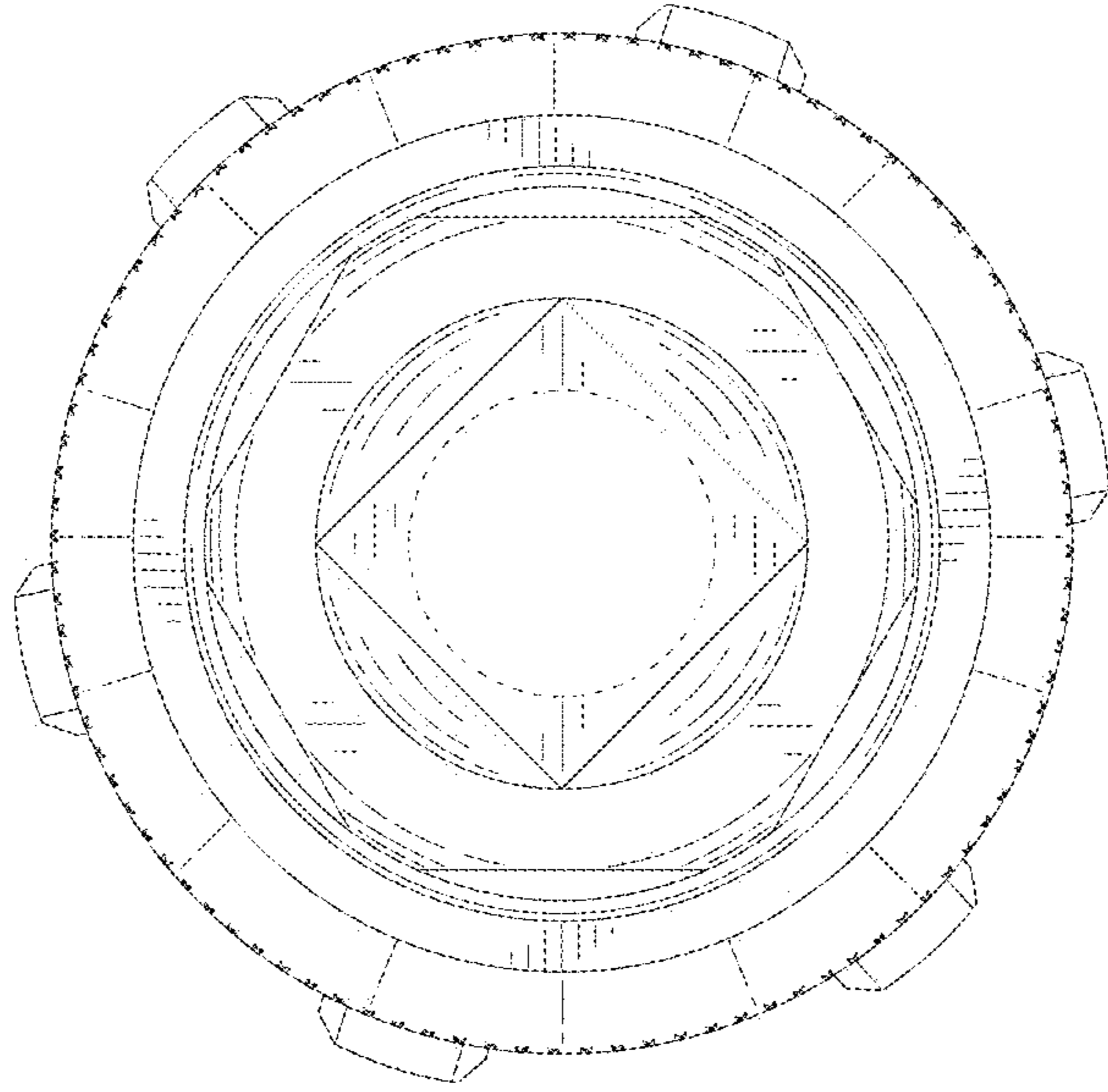


FIG . 16

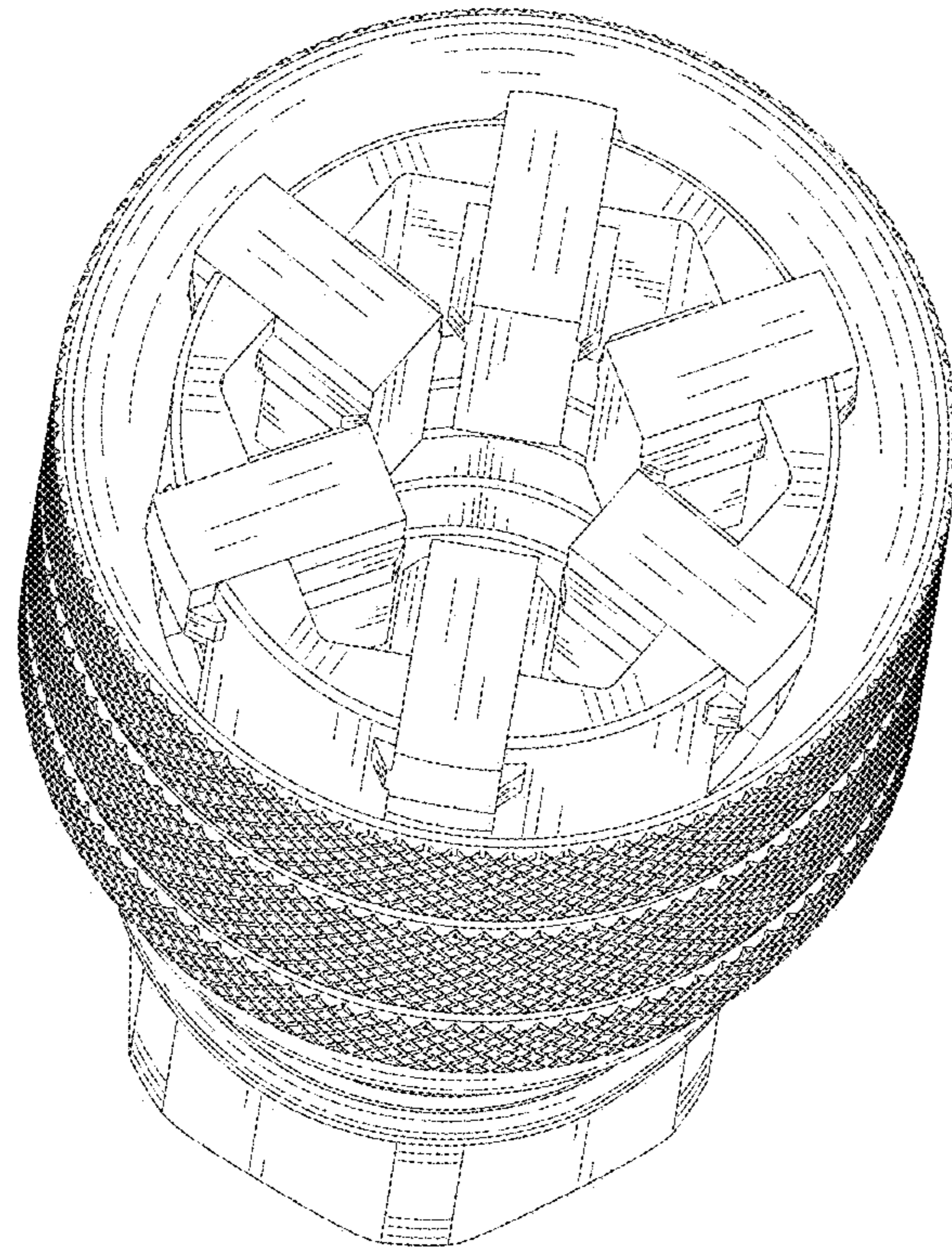


FIG . 17

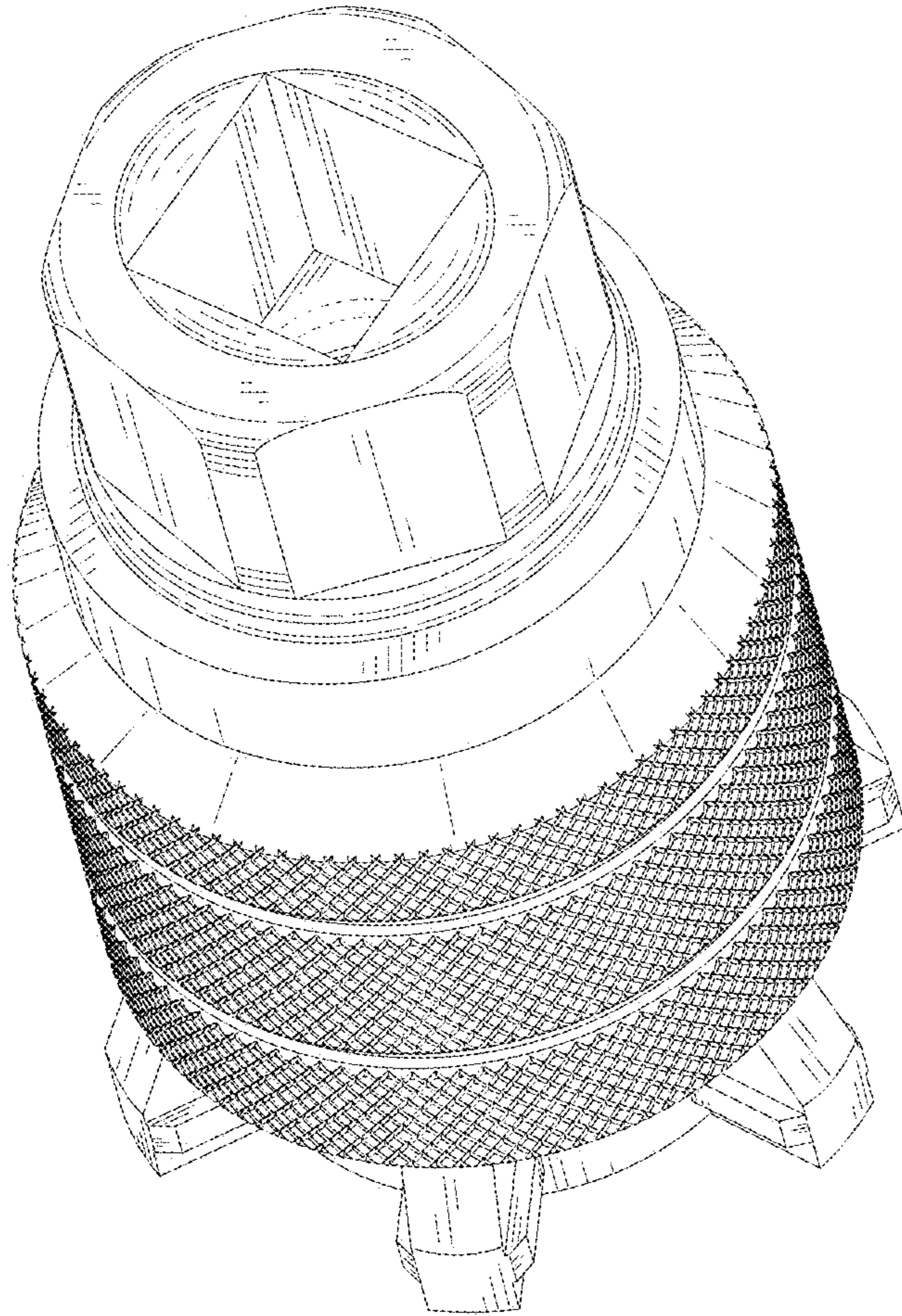


FIG . 18