

US00D964830S

(12) **United States Design Patent**
Sheehan et al.

(10) **Patent No.:** **US D964,830 S**
(45) **Date of Patent:** **** Sep. 27, 2022**

- (54) **MULTIPURPOSE HAND TOOL**
- (71) Applicant: **Verizon Patent and Licensing Inc.**,
Arlington, VA (US)
- (72) Inventors: **Erik Sheehan**, Sparta, NJ (US); **Marc J. Durocher, Jr.**, Auburn, MA (US)
- (73) Assignee: **Verizon Patent and Licensing Inc.**,
Basking Ridge, NJ (US)
- (**) Term: **15 Years**
- (21) Appl. No.: **29/730,943**
- (22) Filed: **Apr. 9, 2020**
- (51) **LOC (13) Cl.** **08-05**
- (52) **U.S. Cl.**
USPC **D8/26**
- (58) **Field of Classification Search**
USPC D8/16, 17, 18, 19, 21, 22, 25, 26;
D24/133, 152, 155, 156
CPC B25B 13/08; B25B 13/46; B25B 13/481;
B25B 13/461; B25B 13/48; B25B 13/56;
B25B 13/16; B25B 23/1425; B25B 23/16;
B25B 21/004; B25G 3/26; B67B 7/14;
B25F 1/00
See application file for complete search history.

- (56) **References Cited**
U.S. PATENT DOCUMENTS

D46,424 S * 9/1914 Berry D8/22
3,276,299 A * 10/1966 Halburian B25B 13/5091
81/124.4

- D241,114 S * 8/1976 Hess D8/26
- D243,506 S * 3/1977 Hess D8/87
- D246,567 S * 12/1977 Bricker D8/26
- D276,124 S * 10/1984 Liu B25B 13/5091
81/124.4
- 5,551,111 A * 9/1996 Murphy B25B 13/50
15/105
- D431,433 S * 10/2000 Tiedge B25B 13/50
D8/28
- D468,987 S * 1/2003 Dreyfus D8/28

* cited by examiner
Primary Examiner — Rachel A. Voorhies
Assistant Examiner — Benjamin D. Wannemacher

(57) **CLAIM**
The ornamental design for a multipurpose hand tool, as shown and described.

DESCRIPTION
FIG. 1 is a front perspective view of our new design. FIG. 2 is a rear perspective view thereof. FIG. 3 is a front view thereof. FIG. 4 is a rear view thereof. FIG. 5 is a top view thereof. FIG. 6 is a bottom view thereof. FIG. 7 is a left side view thereof; and, FIG. 8 is a right side view thereof. The broken lines in the figures form no part of the claimed design. The broken lines showing the screwdriver bit in FIG. 1 shows an environmental characteristic that forms no part of the claimed design. The characters of the numerals in the figures shown in broken lines in FIGS. 1, 2, 3, and 4 form no part of the claimed design.

1 Claim, 8 Drawing Sheets



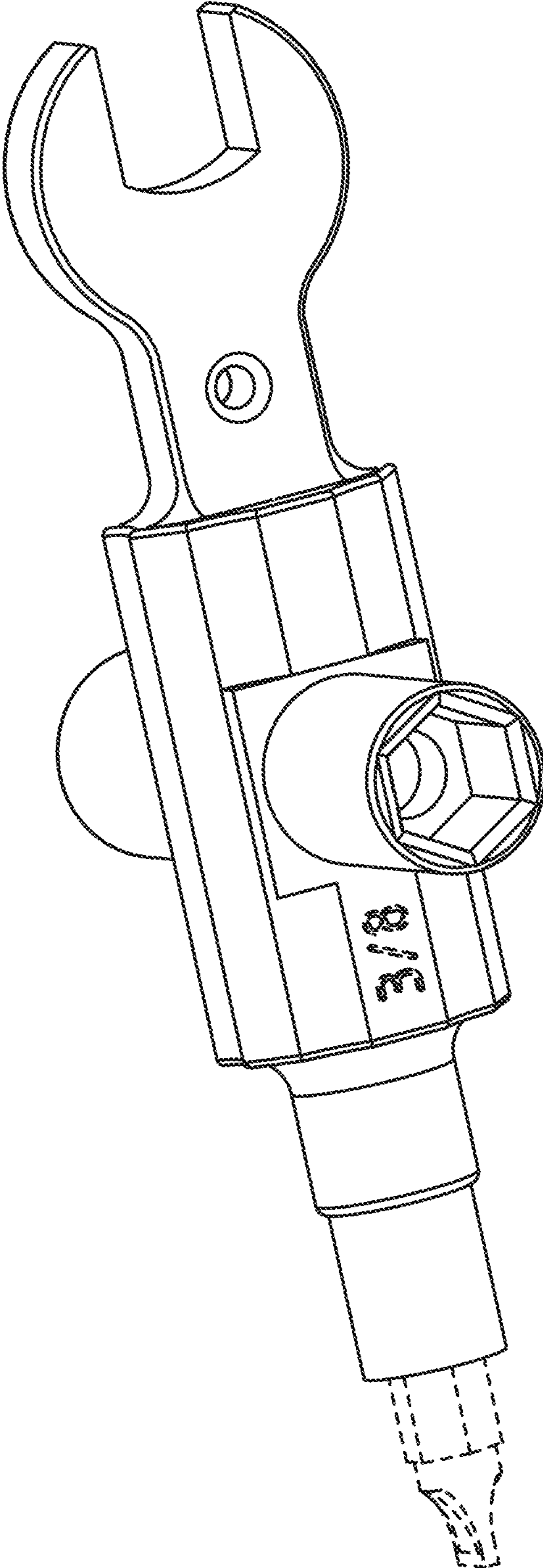


FIG. 1

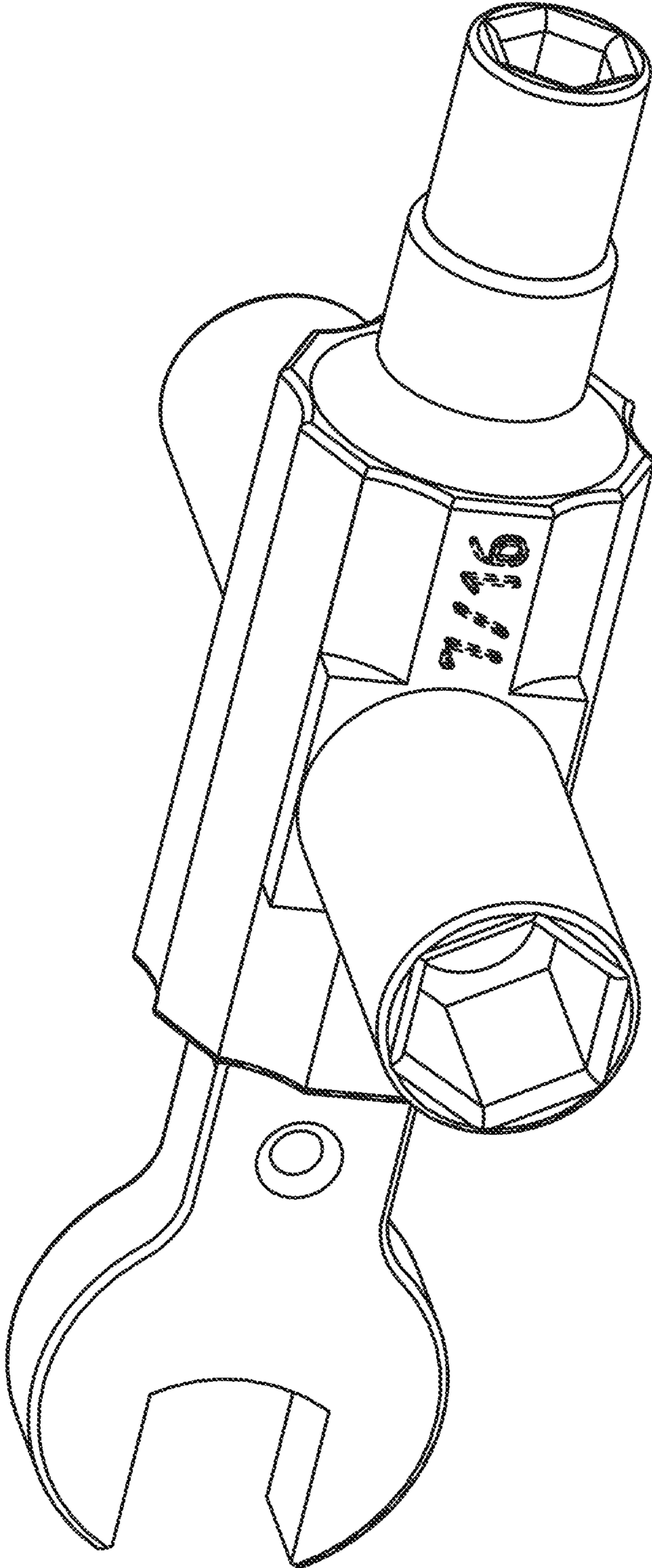


FIG. 2

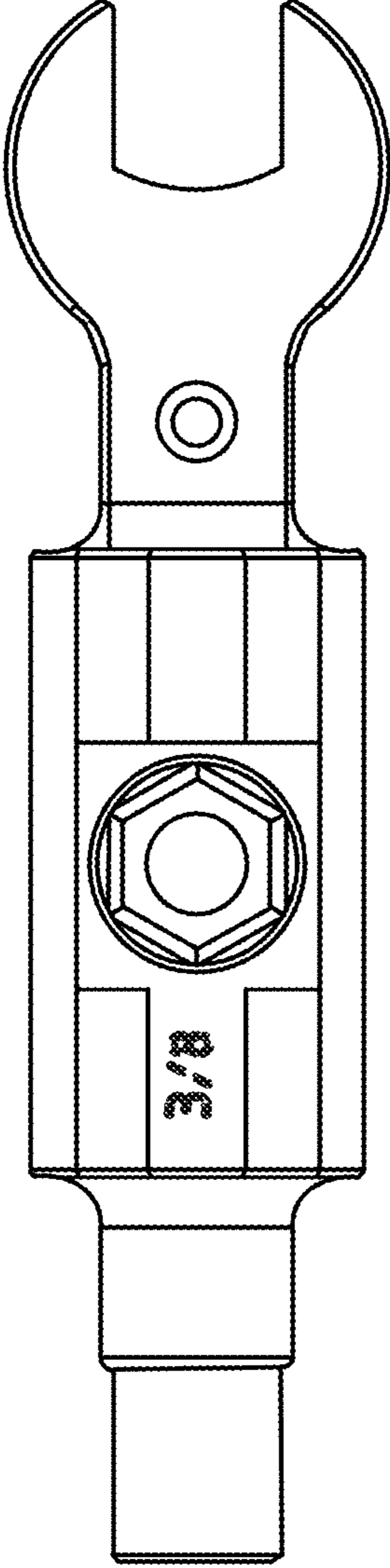


FIG. 3

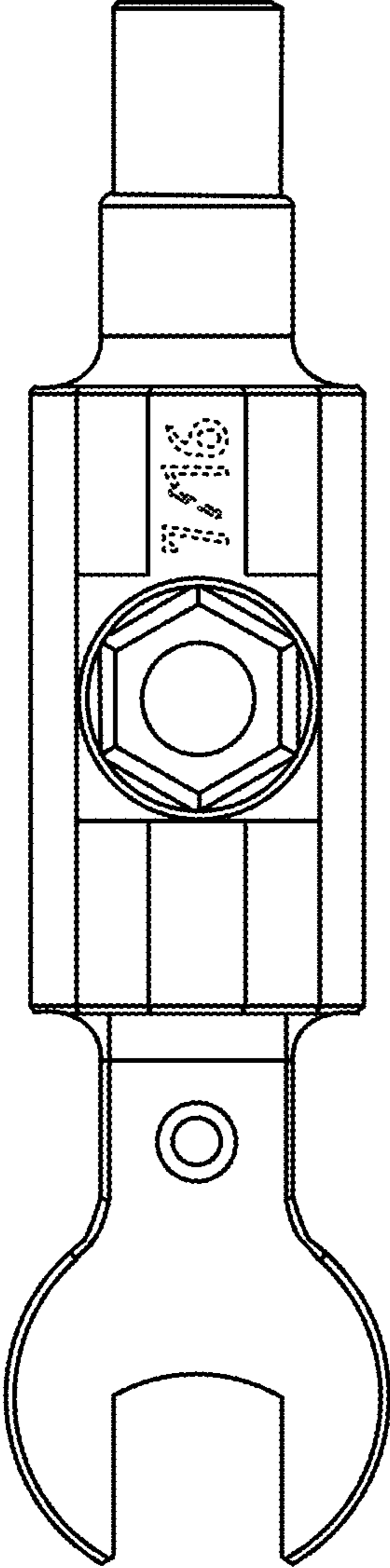


FIG. 4

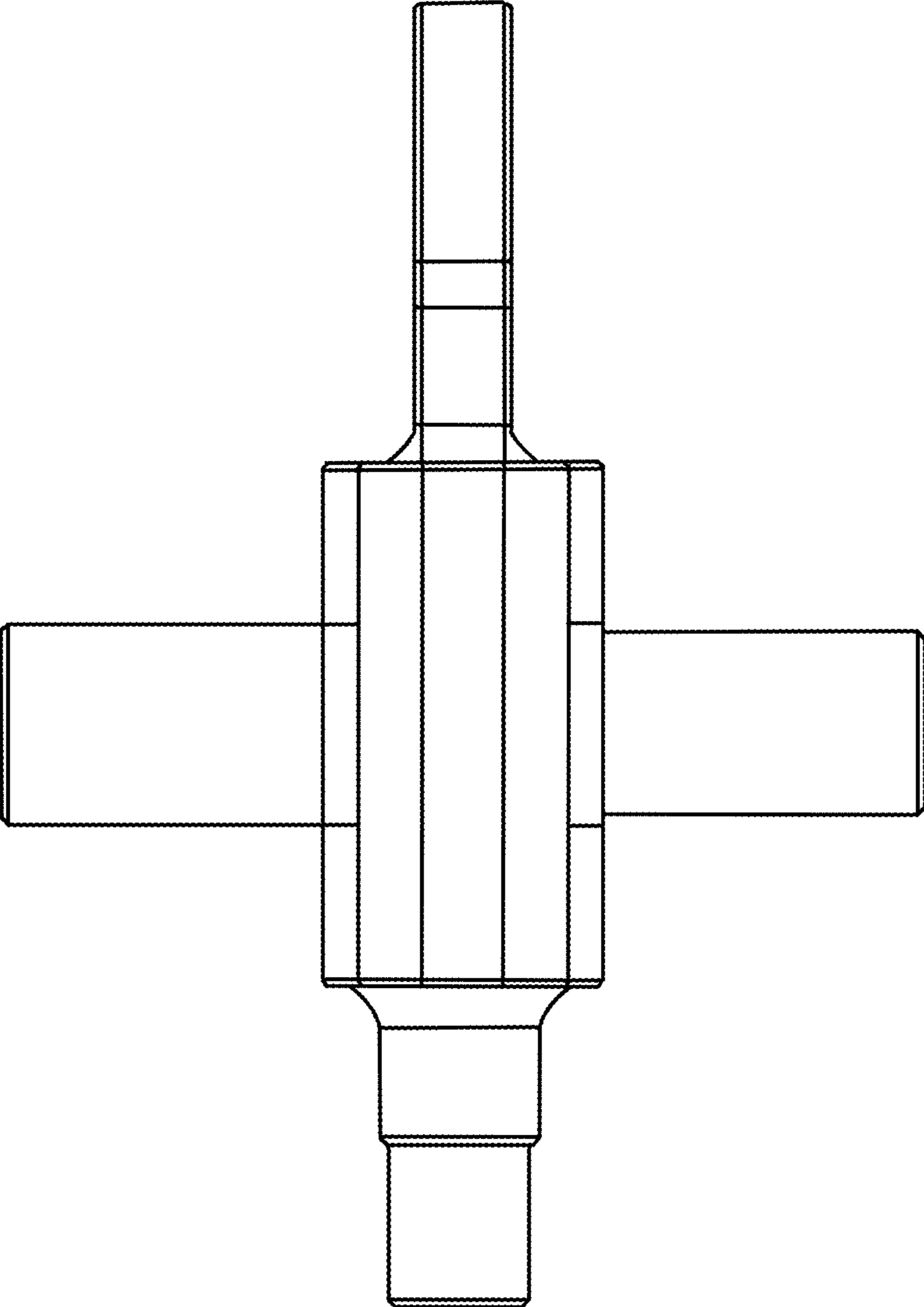


FIG. 5

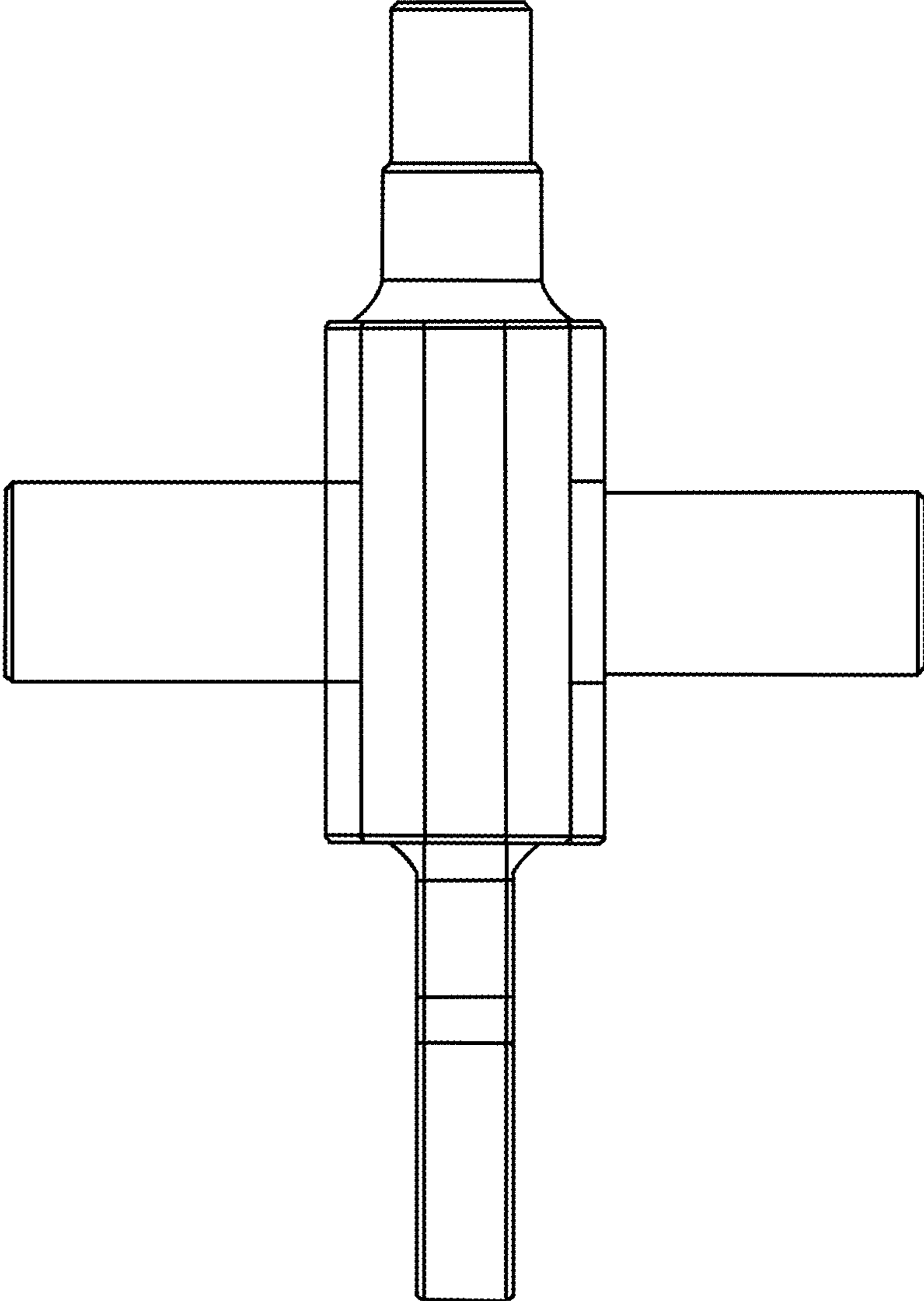


FIG. 6

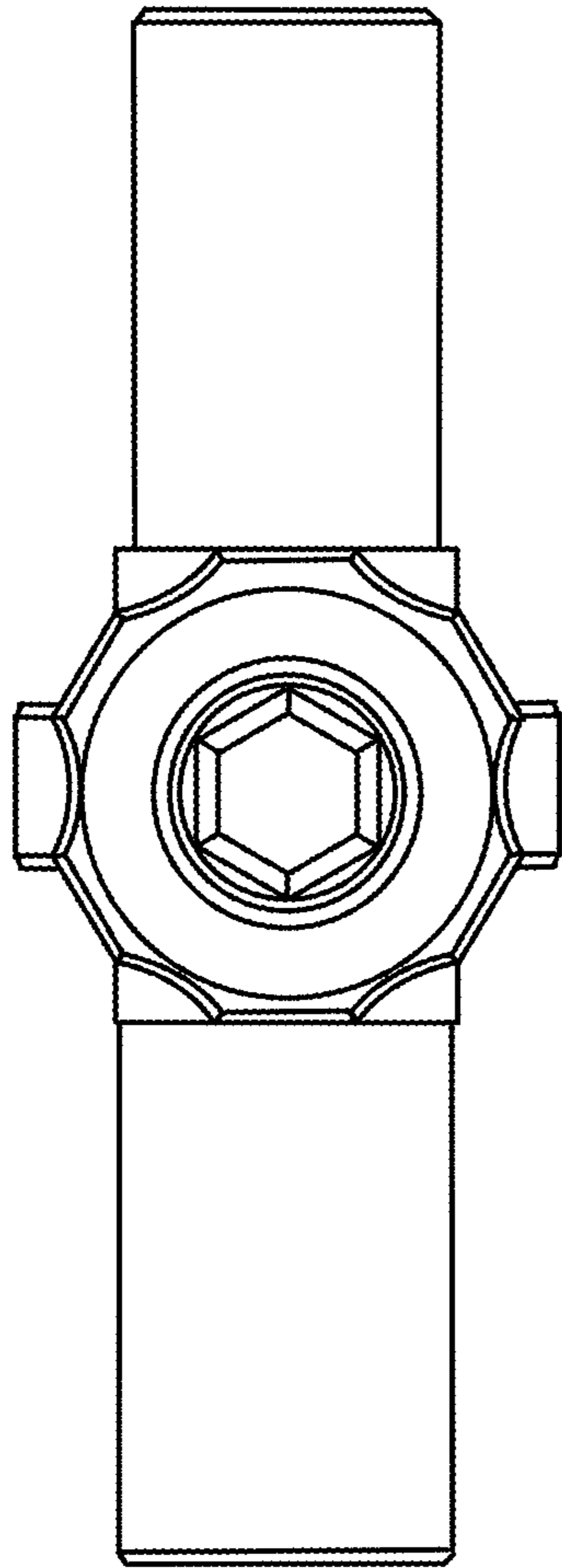


FIG. 7

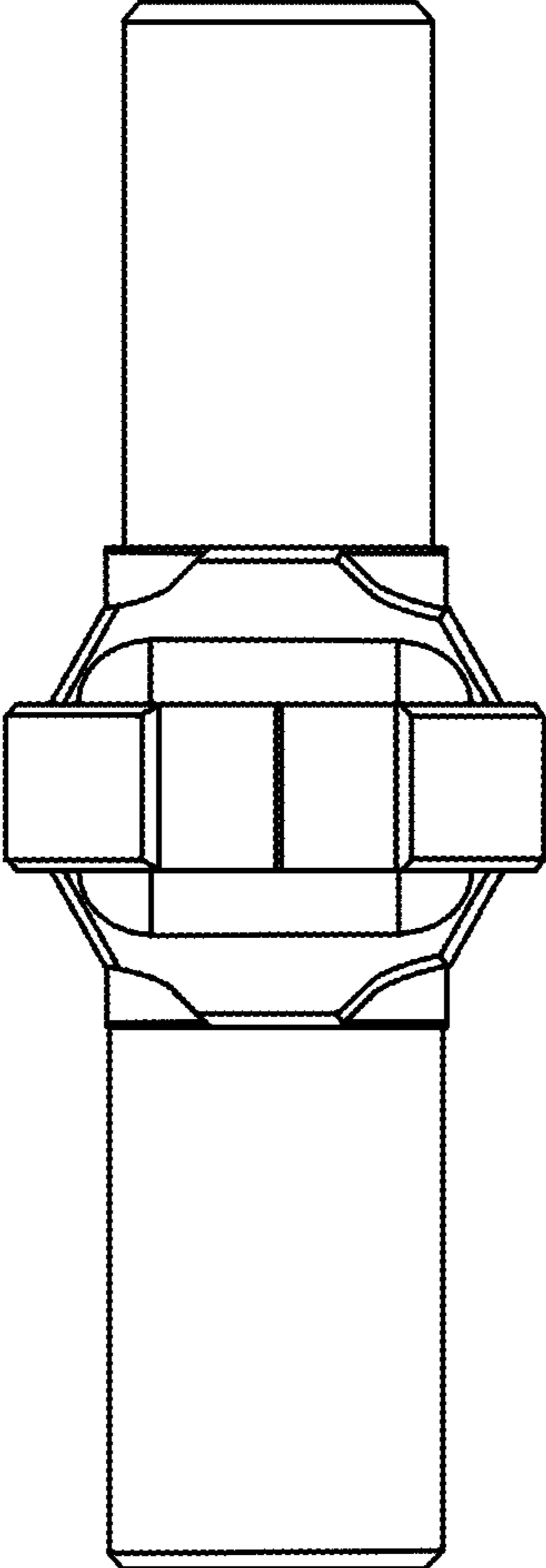


FIG. 8