

US00D964826S

(12) **United States Design Patent**
Wang

(10) **Patent No.:** **US D964,826 S**

(45) **Date of Patent:** **** Sep. 27, 2022**

(54) **HAND AUGER**

(71) Applicant: **Jiarong Wang**, Zhongwei (CN)

(72) Inventor: **Jiarong Wang**, Zhongwei (CN)

(**) Term: **15 Years**

(21) Appl. No.: **29/827,666**

(22) Filed: **Feb. 22, 2022**

(51) **LOC (13) Cl.** **08-03**

(52) **U.S. Cl.**
USPC **D8/7**

(58) **Field of Classification Search**
USPC D8/1, 5, 7, 8, 9, 10, 11, 13
CPC .. A01B 1/00; A01B 1/02; A01B 1/024; A01D
11/00; E21B 10/44; E21B 7/005; E21B
11/00; A01C 5/02; A01C 5/00
See application file for complete search history.

(56) **References Cited**

U.S. PATENT DOCUMENTS

D624,370 S	9/2010	Motosko	
8,087,469 B1 *	1/2012	Bugeja	E21B 11/00 172/22
8,646,547 B1 *	2/2014	Johnson	A01K 97/01 175/18
D711,201 S	8/2014	Makipelto et al.	
D764,243 S *	8/2016	McConnell	D8/8
10,385,537 B1 *	8/2019	Nelson	E02F 3/8891
D860,297 S *	9/2019	Brooks	D16/242
10,681,857 B1 *	6/2020	Francovich, Jr.	A01B 1/024
D892,261 S *	8/2020	Brooks	D22/147
10,837,156 B1 *	11/2020	Olsen	E21B 11/005
D936,435 S *	11/2021	Lind	D8/7
D944,301 S *	2/2022	Li	D15/139

D951,041 S *	5/2022	Lind	D8/7
D951,042 S *	5/2022	Lind	D8/7
2005/0000736 A1 *	1/2005	Maki	E21B 10/44 175/394
2008/0315601 A1 *	12/2008	Libscomb	E21B 11/005 294/50.8
2012/0073877 A1 *	3/2012	Jakubczak	E21B 11/005 175/57
2012/0318577 A1 *	12/2012	Ruppel	E21B 11/005 175/18
2014/0174824 A1 *	6/2014	Schamberger	H02K 7/145 175/18
2019/0024458 A1 *	1/2019	Chichester-Constable	E21B 7/028

* cited by examiner

Primary Examiner — Darlington Ly

(74) *Attorney, Agent, or Firm* — Zhihua Han

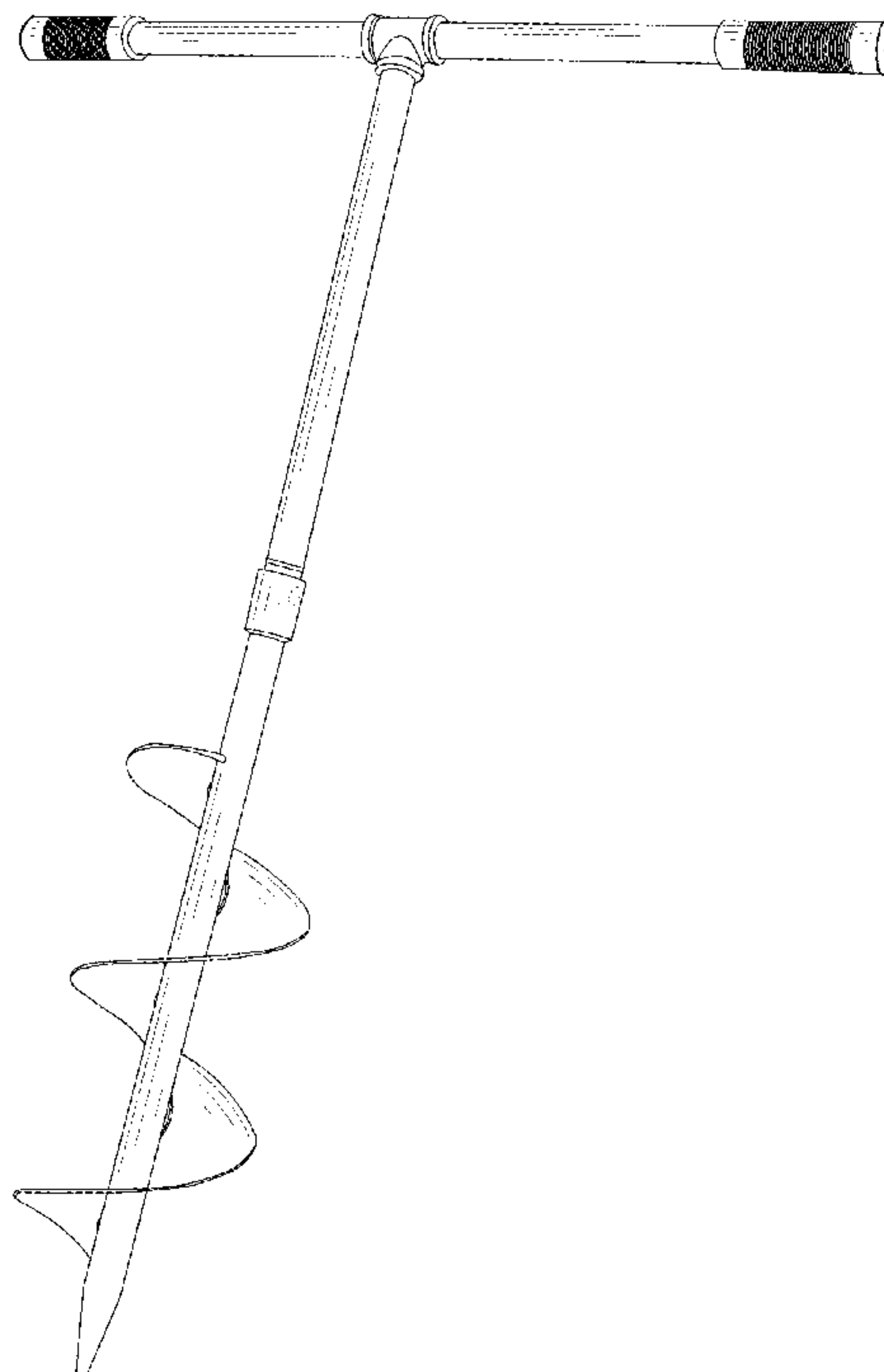
(57) **CLAIM**

The ornamental design for a hand auger, as shown and described.

DESCRIPTION

FIG. 1 is a perspective view of a hand auger embodying my new design;
FIG. 2 is a front elevation view thereof;
FIG. 3 is a rear elevation view thereof;
FIG. 4 is a left side elevation view thereof;
FIG. 5 is a right side elevation view thereof;
FIG. 6 is a top plan view thereof; and,
FIG. 7 is a bottom plan view thereof.
The broken lines shown in the drawings depict portions of the hand auger that form no part of the claimed design.

1 Claim, 7 Drawing Sheets



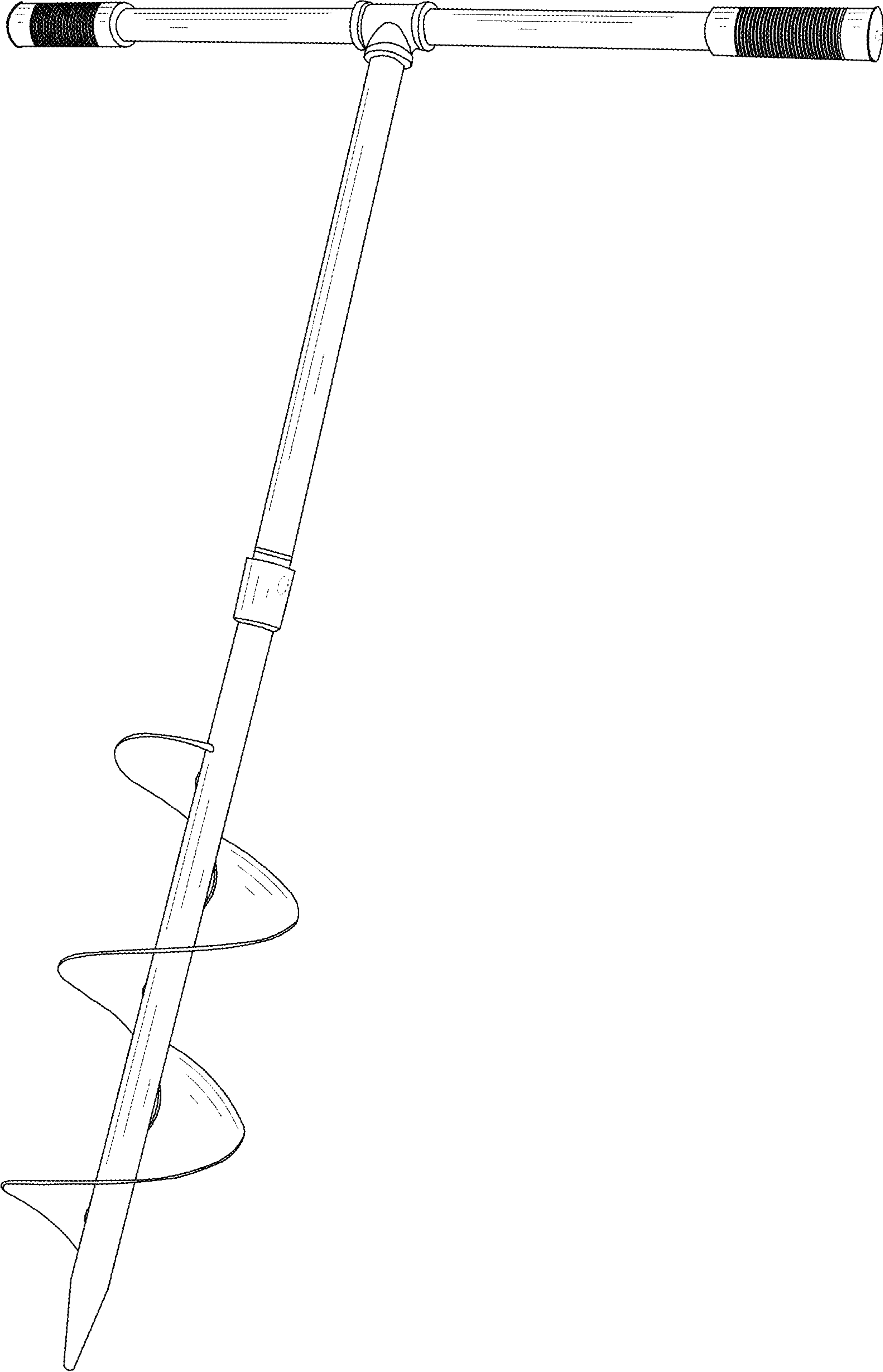


FIG. 1

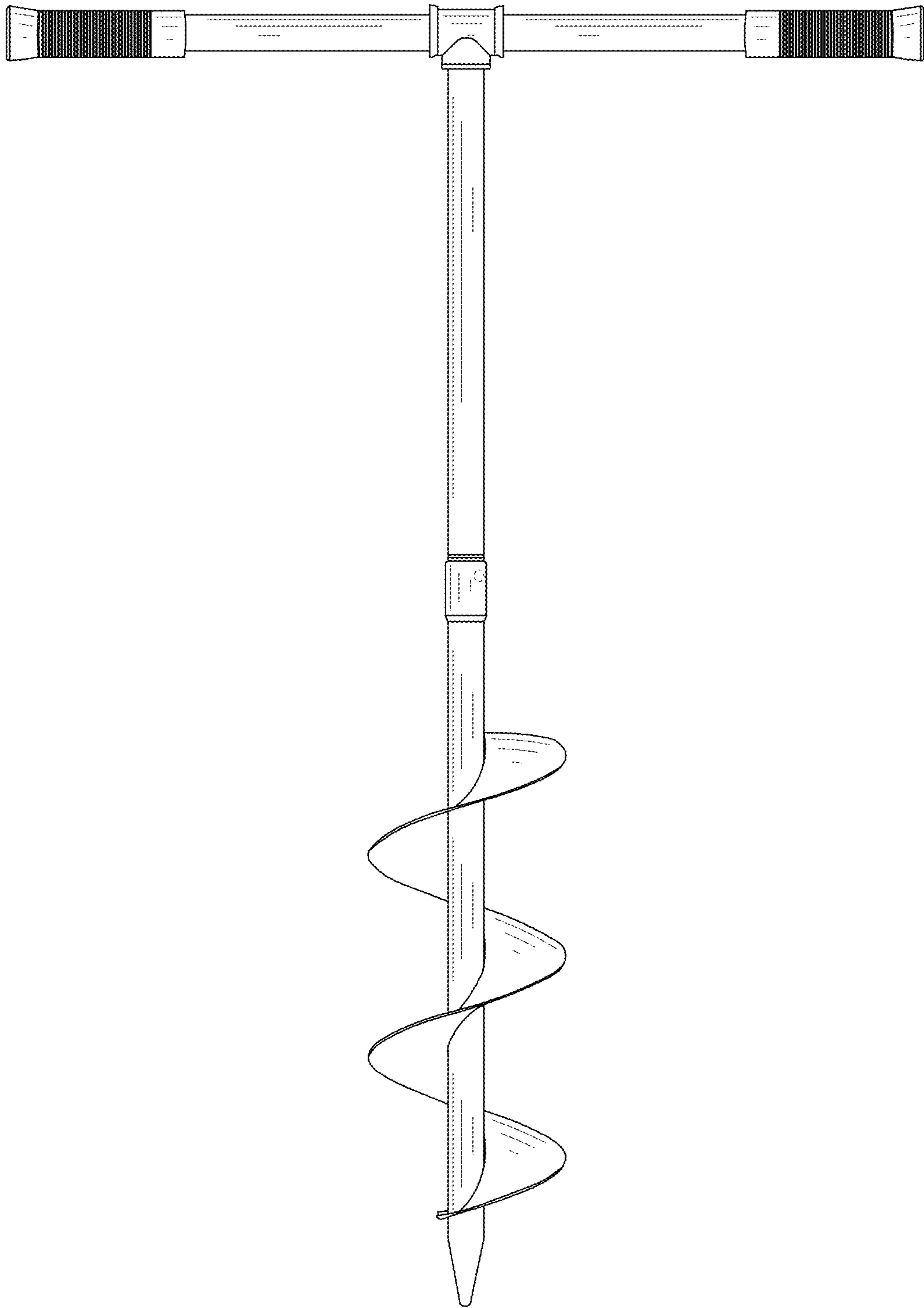


FIG. 2

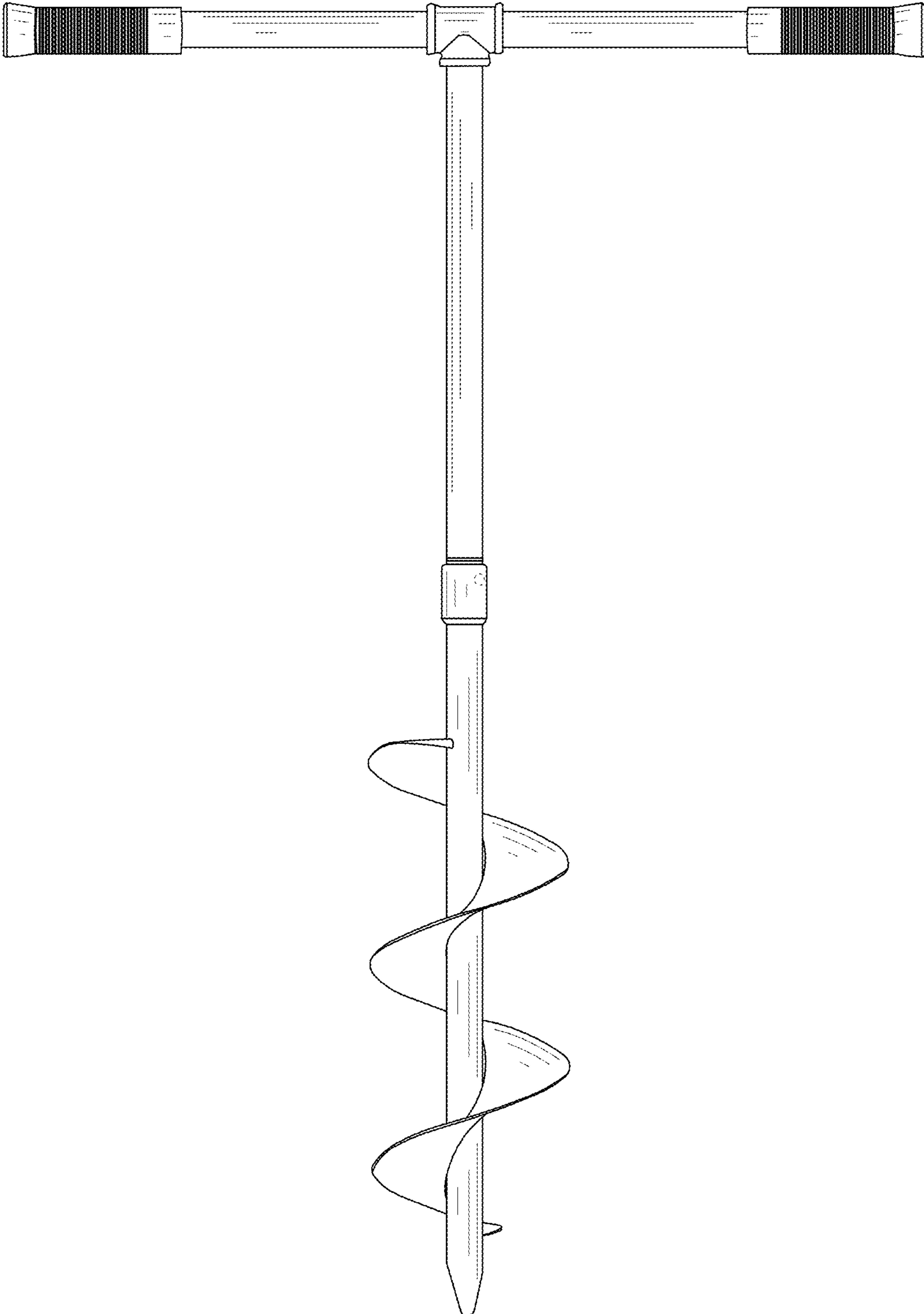


FIG. 3

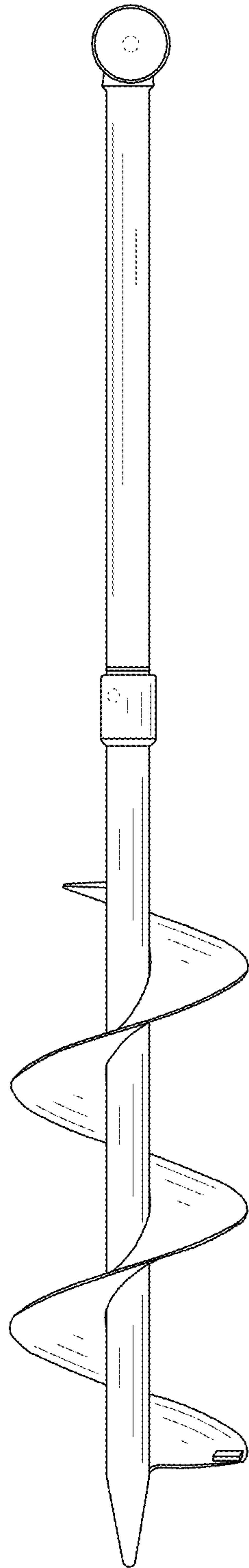


FIG. 4

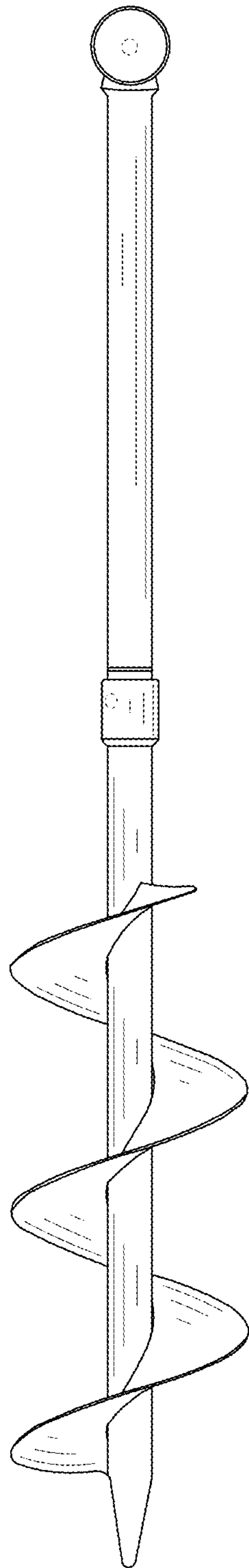


FIG. 5

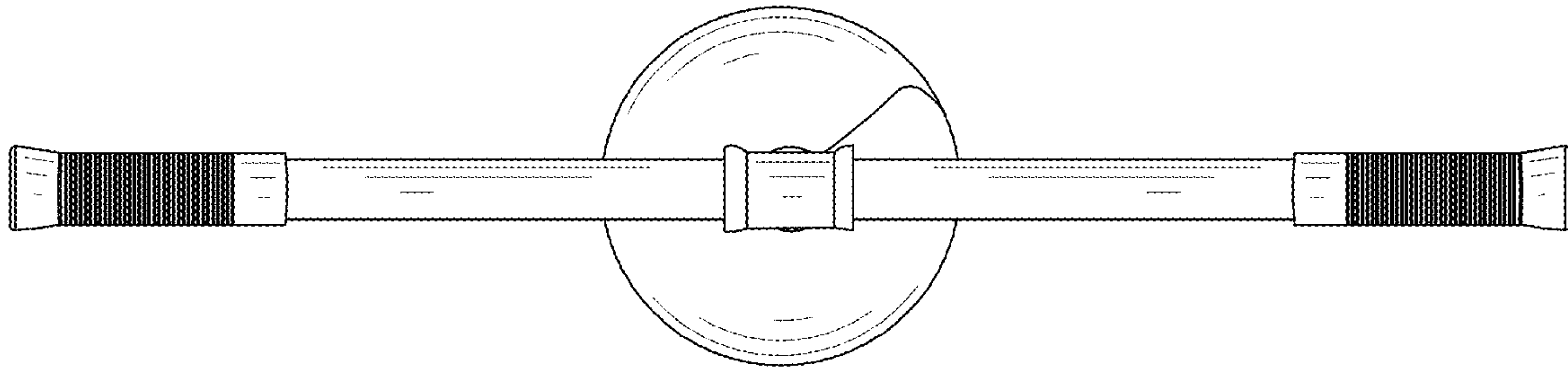


FIG. 6

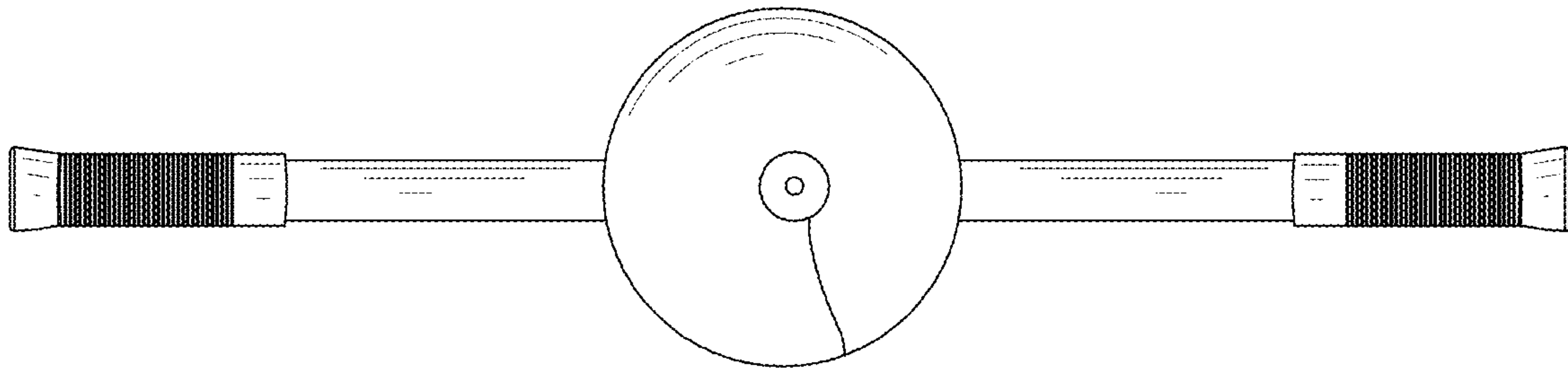


FIG. 7