



US00D964825S

(12) **United States Design Patent**  
**Hou**

(10) **Patent No.:** **US D964,825 S**

(45) **Date of Patent:** **\*\* Sep. 27, 2022**

(54) **CHEESE BOARD**

(71) Applicant: **Zhicheng Hou**, Hubei Province (CN)

(72) Inventor: **Zhicheng Hou**, Hubei Province (CN)

(\*\*) Term: **15 Years**

(21) Appl. No.: **29/838,455**

(22) Filed: **May 12, 2022**

(51) **LOC (13) Cl.** ..... **07-04**

(52) **U.S. Cl.**  
USPC ..... **D7/698**

(58) **Field of Classification Search**  
USPC .. D7/543, 549, 550.1, 554.3, 586, 698-699;  
D10/87; D32/55-57  
CPC ..... A47J 47/00; A47J 47/005; A47J 47/20;  
B26D 7/0006; B26D 7/018; B26D 7/20;  
B23D 21/00; B23K 37/04; B23K 37/053;  
B23Q 16/001; B65D 71/72; A45C 11/20  
See application file for complete search history.

(56) **References Cited**

**U.S. PATENT DOCUMENTS**

3,148,636	A *	9/1964	Blomquist	.....	B65D 71/72
					108/26
D327,200	S *	6/1992	Szablak	.....	D7/550.1
6,371,470	B1 *	4/2002	Ward	.....	A47J 47/005
					269/302.1
D484,007	S	12/2003	Levien		
D505,347	S *	5/2005	Huang	.....	D10/87
D587,031	S *	2/2009	Pourounidis	.....	A47J 47/005
					D7/698
D655,939	S *	3/2012	Tracy	.....	D7/698
D760,558	S *	7/2016	Whitlock	.....	D7/699
D883,044	S *	5/2020	Poon	.....	D7/698

D906,067	S *	12/2020	Alsofi	.....	D7/698
D909,154	S *	2/2021	Whitlock	.....	D7/698
D910,387	S *	2/2021	Bhargava	.....	D7/698
2005/0039607	A1 *	2/2005	Comfield	.....	A47J 47/005
					99/324
2010/0012616	A1 *	1/2010	Guy	.....	A45C 11/20
					29/700

**OTHER PUBLICATIONS**

Netany bamboo Cheese Board and Knife Set. Date First Available on Amazon.com Aug. 4, 2021. <https://www.amazon.com/NETANY-Bamboo-Charcuterie-Platter-Cutlery/dp/B09BVDBS36/ref> (Year: 2021).\*

\* cited by examiner

*Primary Examiner* — Ricky Pham

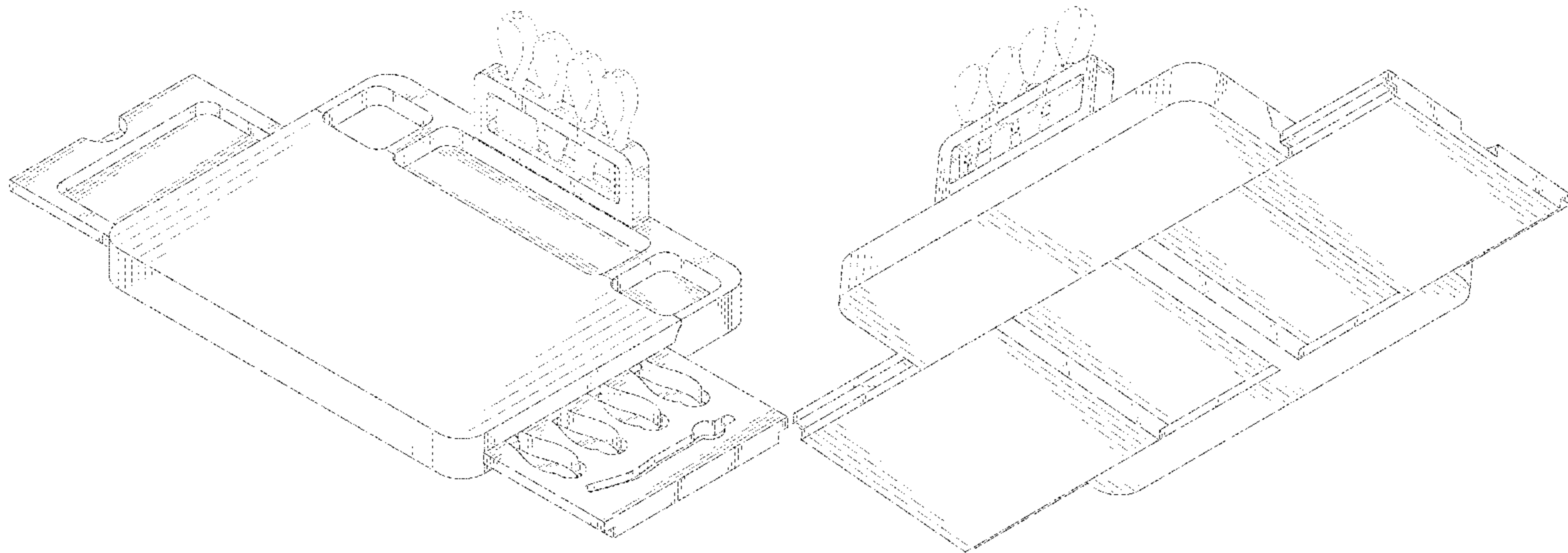
(57) **CLAIM**

The ornamental design for a cheese board, as shown and described.

**DESCRIPTION**

FIG. 1 is a front and top perspective view of a cheese board, showing my new design;  
FIG. 2 is a rear and bottom perspective view thereof;  
FIG. 3 is a front elevation view thereof;  
FIG. 4 is a rear elevation view thereof;  
FIG. 5 is a left side elevation view thereof;  
FIG. 6 is a right side elevation view thereof;  
FIG. 7 is a top plan view thereof;  
FIG. 8 is a bottom plan view thereof; and,  
FIG. 9 is another perspective view thereof, shown in an alternative position.  
The broken lines in the figures illustrate portions of the cheese board that form no part of the claimed design.

**1 Claim, 9 Drawing Sheets**



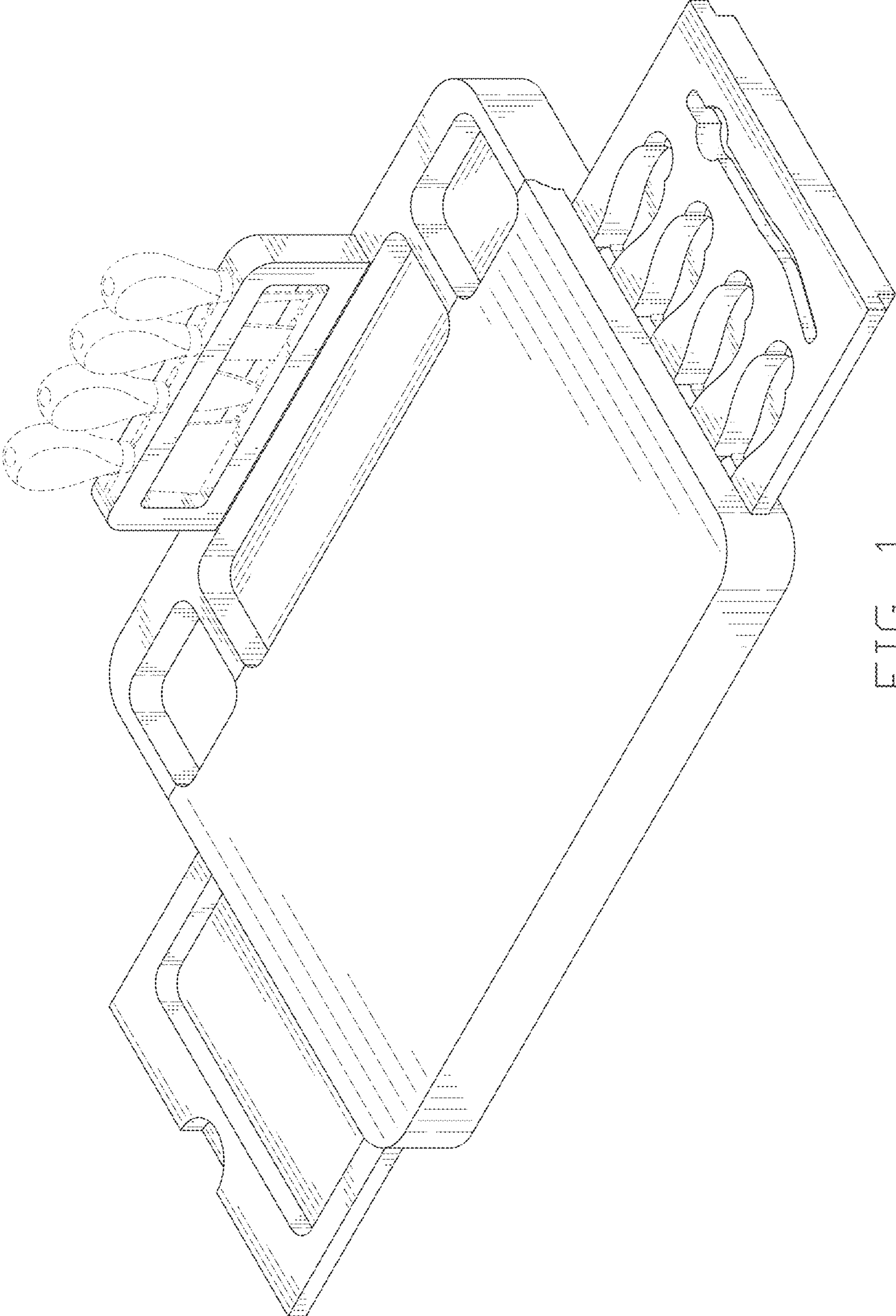


FIG. 1

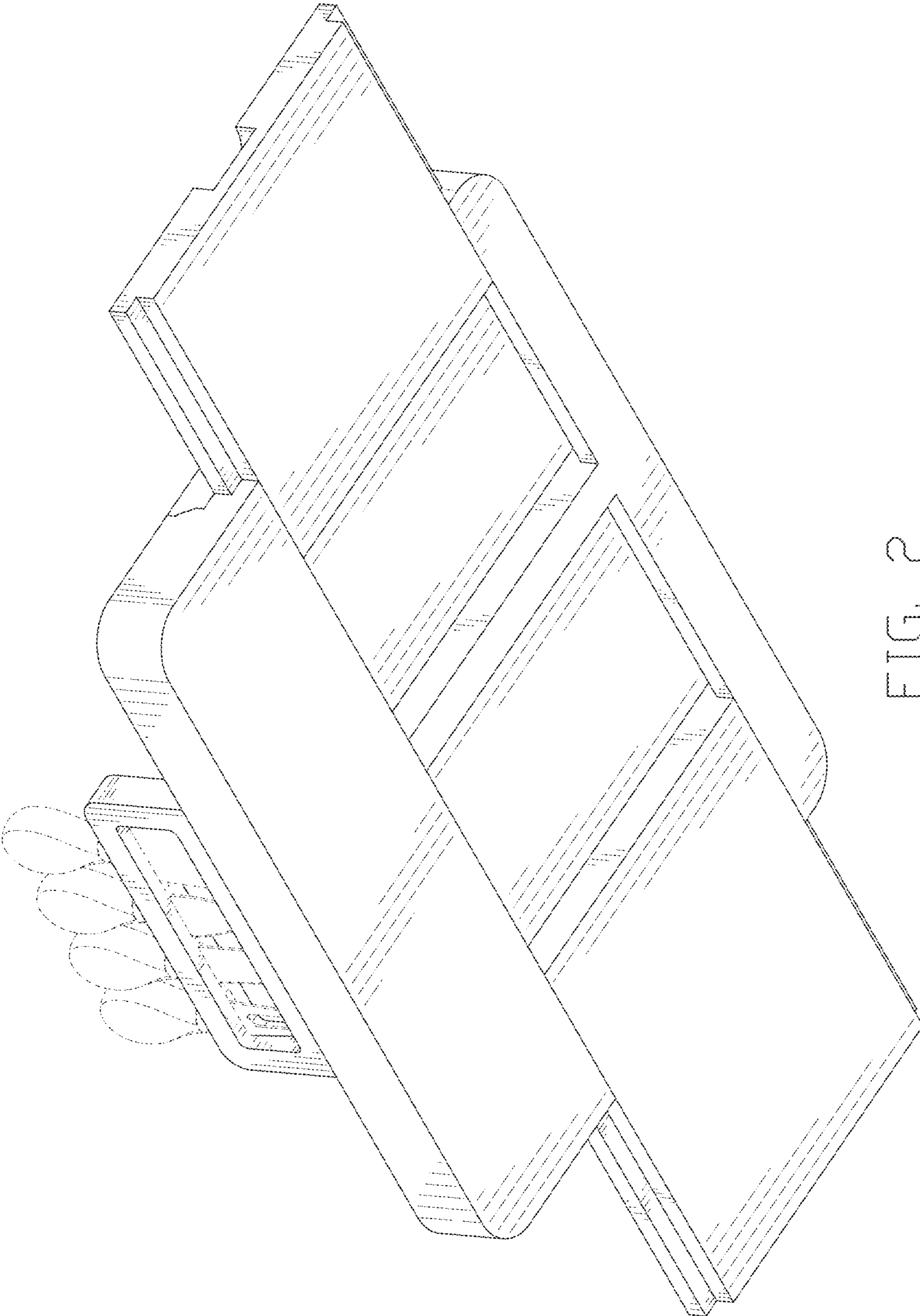


FIG. 2

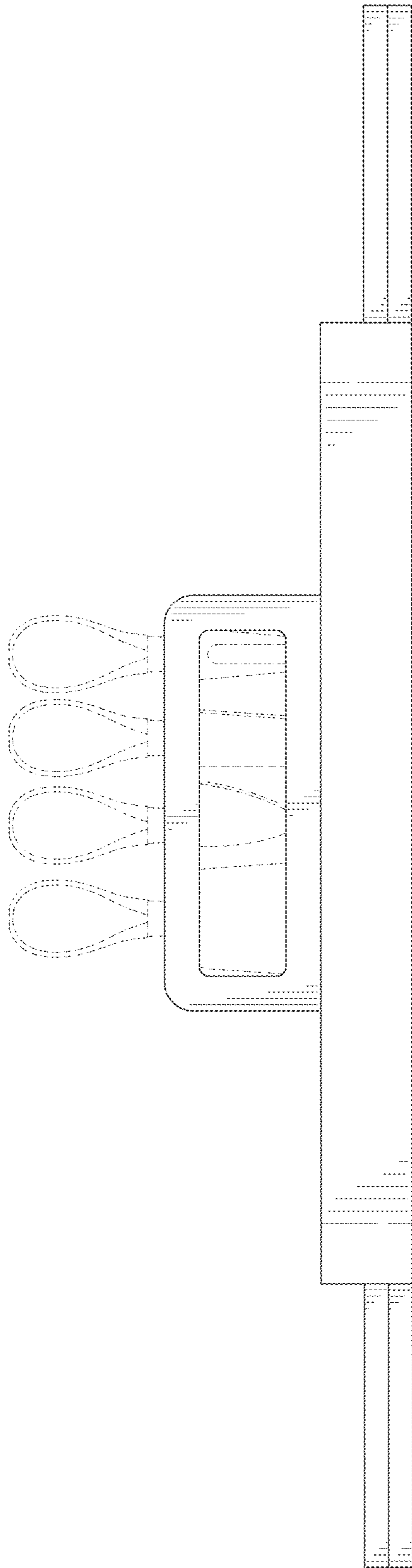


FIG. 3

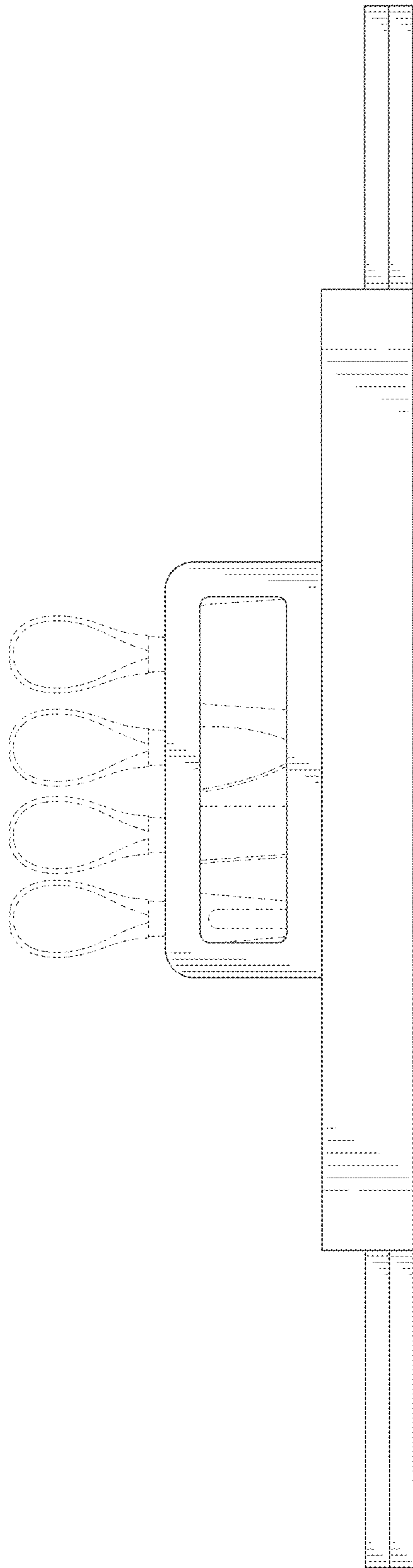


FIG. 4

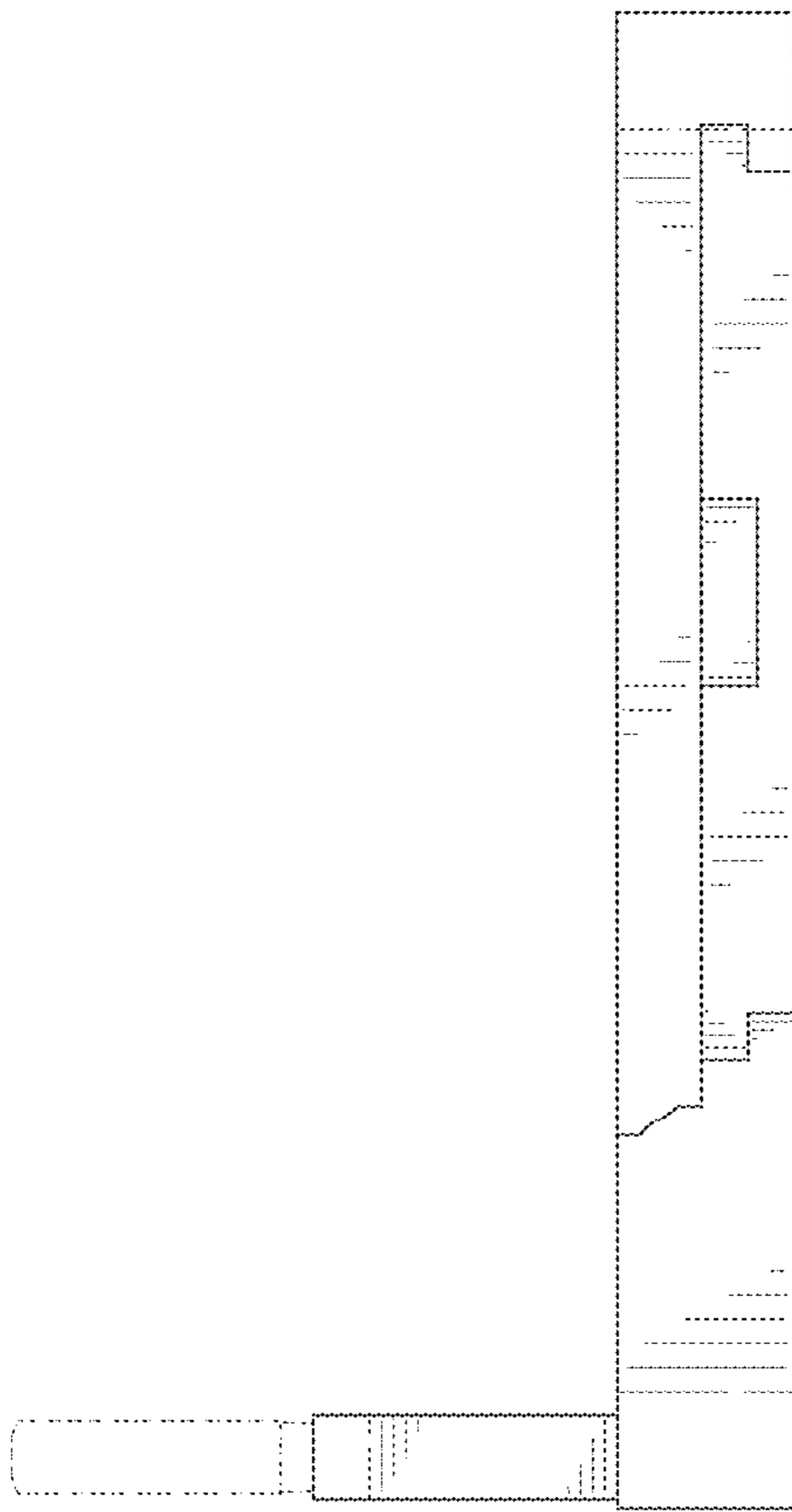


FIG. 5

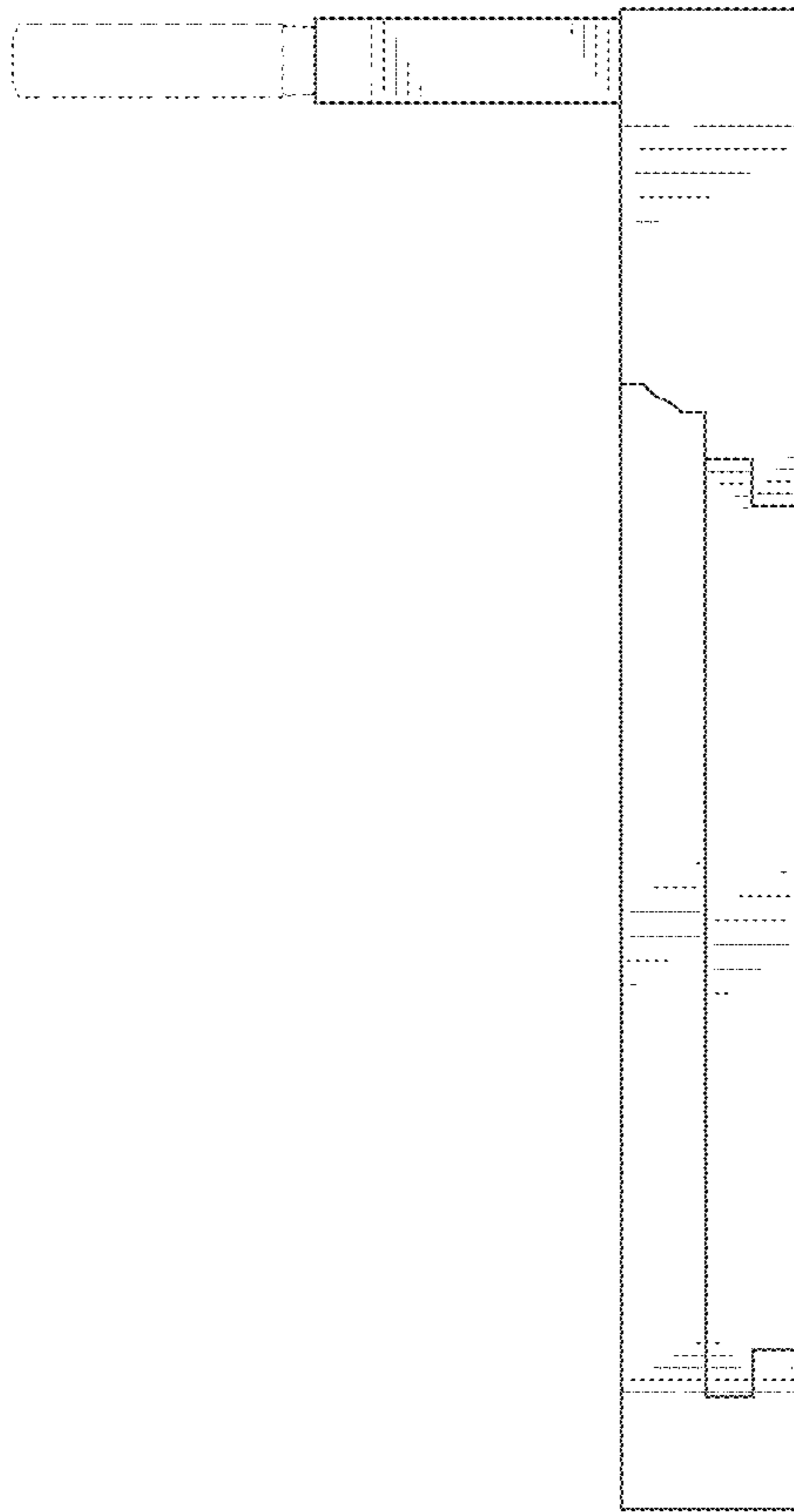


FIG. 6

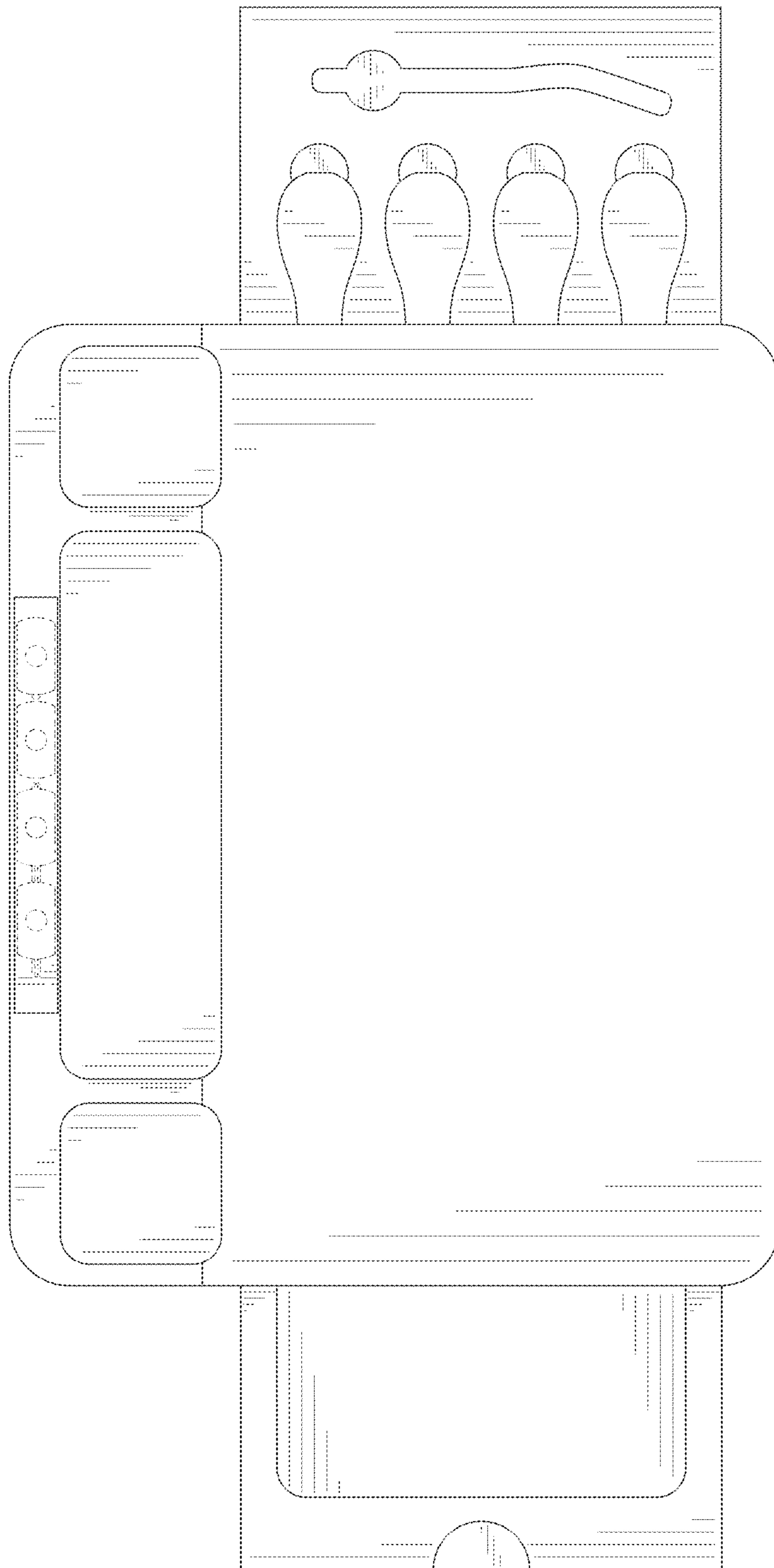


FIG. 7



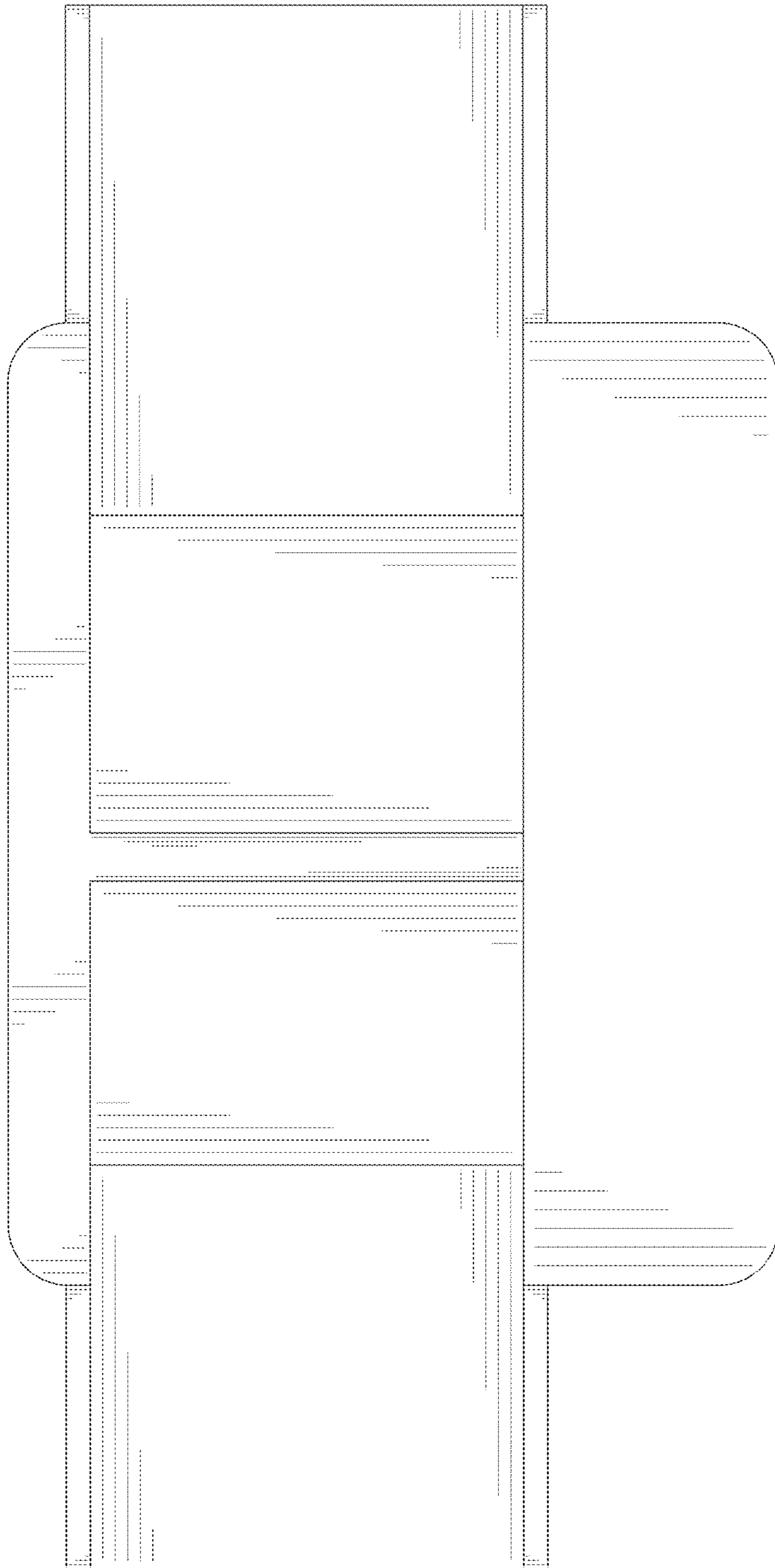


FIG. 8

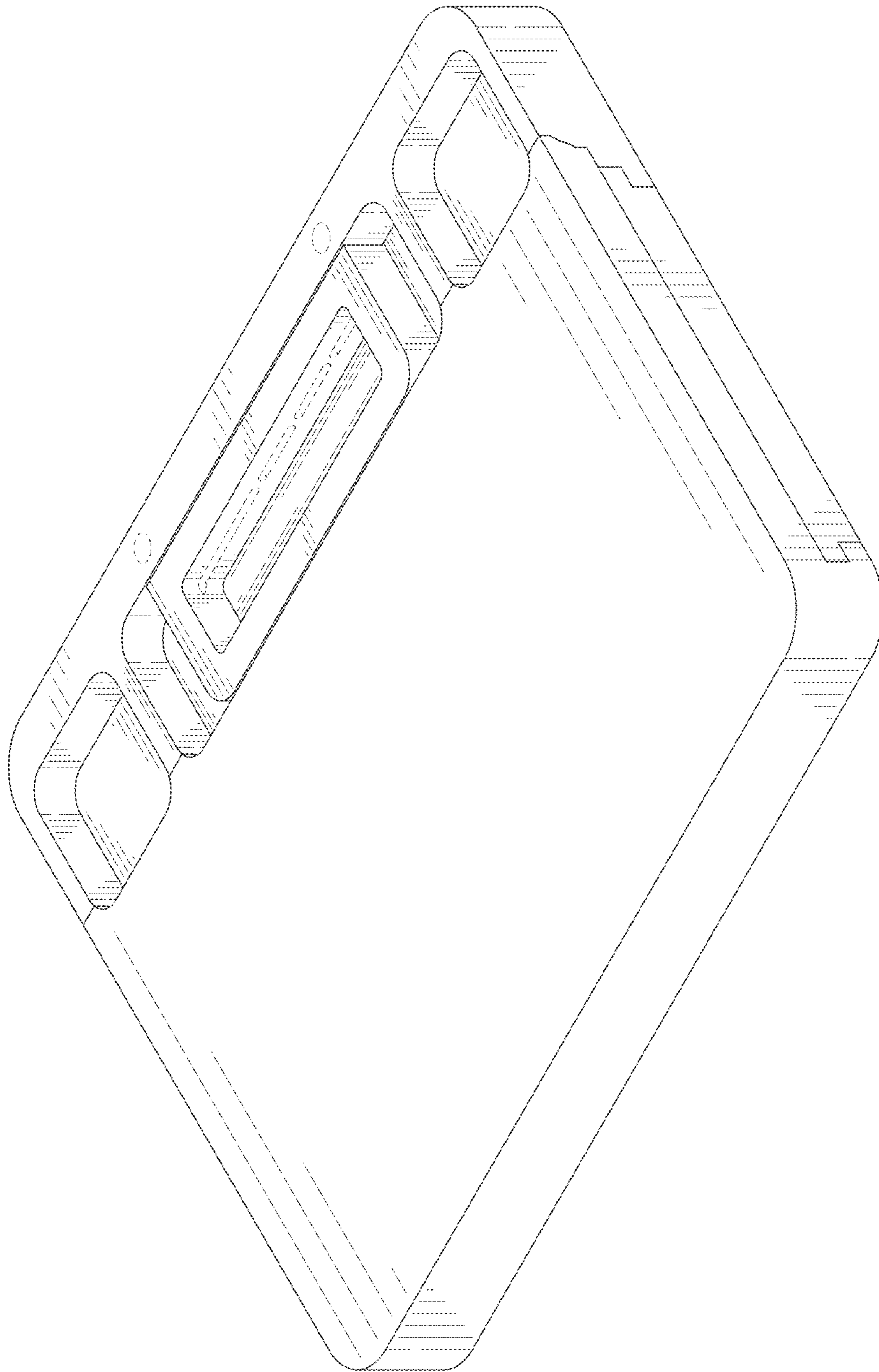


FIG. 9