

US00D964824S

(12) **United States Design Patent** (10) **Patent No.:** **US D964,824 S**  
**Li** (45) **Date of Patent:** **\*\* Sep. 27, 2022**

(54) **CHEESE BOARD SET**  
(71) Applicant: **Heycart, Inc.**, Irvine, CA (US)  
(72) Inventor: **Tony Li**, Irvine, CA (US)  
(\*\*) Term: **15 Years**  
(21) Appl. No.: **29/790,992**  
(22) Filed: **Dec. 23, 2021**

D846,363 S 4/2019 Agahian  
D871,171 S \* 12/2019 Xue ..... D7/698  
10,542,844 B2 1/2020 Wilson  
D883,044 S 5/2020 Poon  
D906,067 S 12/2020 Alsofi  
D907,971 S \* 1/2021 Whitlock ..... D7/698  
D909,153 S 2/2021 Pham  
D909,154 S 2/2021 Whitlock  
(Continued)

**Related U.S. Application Data**

(63) Continuation of application No. 29/727,885, filed on Mar. 13, 2020, now Pat. No. Des. 939,298.  
(51) **LOC (13) Cl.** ..... **07-04**  
(52) **U.S. Cl.**  
USPC ..... **D7/698**  
(58) **Field of Classification Search**  
USPC ..... D7/398, 543, 549, 550.1, 553.5, 554.3,  
D7/554.5, 586, 698-699; D10/87;  
D32/55-57  
CPC ..... A47J 45/02; A47J 47/00; A47J 47/005;  
A47J 47/20; B26D 7/0006; B26D 7/018;  
B26D 7/20; B23D 21/00; B23K 37/04;  
B23K 37/053; B23Q 16/001  
See application file for complete search history.

**References Cited**

**U.S. PATENT DOCUMENTS**

D238,135 S \* 12/1975 Longobardi ..... D7/698  
D327,200 S \* 6/1992 Szablak ..... D7/550.1  
D339,507 S \* 9/1993 Ancona ..... D7/553.4  
D364,072 S \* 11/1995 Keable ..... D7/553.5  
D505,347 S \* 5/2005 Huang ..... D10/87  
7,258,289 B1 \* 8/2007 Butt ..... A47J 47/005  
241/101.1  
D587,031 S 2/2009 Pourounidis  
D655,939 S 3/2012 Tracy  
D687,269 S 8/2013 Guy  
D763,639 S 8/2016 Whitlock

**OTHER PUBLICATIONS**

Smirly Cheese Board and Knife Set. Date First Available on Amazon.com May 22, 2019. <https://www.amazon.com/Smirly-Cheese-Board-Knife-Set/dp/B07S4D3LGF/ref> (Year: 2019).

*Primary Examiner* — Ricky Pham

(74) *Attorney, Agent, or Firm* — Cionca IP Law P.C.;  
Marin Cionca

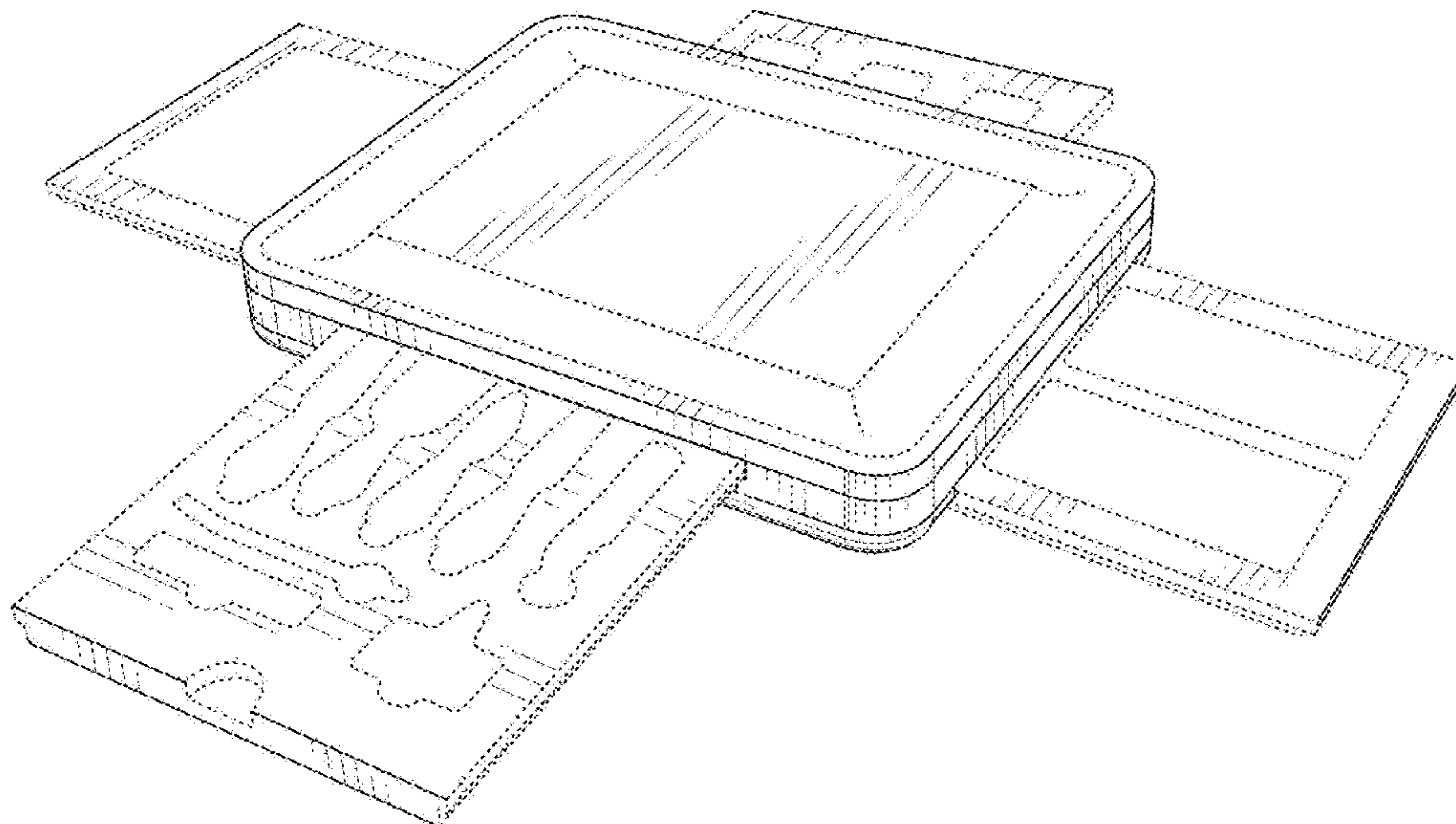
(57) **CLAIM**

The ornamental design for a cheese board set, as shown and described.

**DESCRIPTION**

FIG. 1 is a perspective view of a cheese board set showing the new design in a retracted state;  
FIG. 2 is a perspective view of the cheese board set in an extended state;  
FIG. 3 is a perspective view thereof, with three of the four drawers detached;  
FIG. 4 is a front elevation view of the cheese board set in a retracted state;  
FIG. 5 is a rear elevation view thereof;  
FIG. 6 is a left elevation view thereof;  
FIG. 7 is a right elevation view thereof;  
FIG. 8 is top plan view thereof; and,  
FIG. 9 is a bottom plan view thereof.  
The broken lines and unshaded surfaces bounded by broken lines form no part of the claimed design.

**1 Claim, 9 Drawing Sheets**



(56)

**References Cited**

U.S. PATENT DOCUMENTS

D910,387	S	*	2/2021	Bhargava	.....	D7/698
D935,269	S	*	11/2021	Xu	.....	D7/398
D939,297	S	*	12/2021	Li	.....	D7/698
D939,298	S	*	12/2021	Li	.....	D7/698
2010/0012616	A1		1/2010	Guy		
2015/0076974	A1	*	3/2015	Schreiter	.....	A47J 45/02 312/140.4

\* cited by examiner

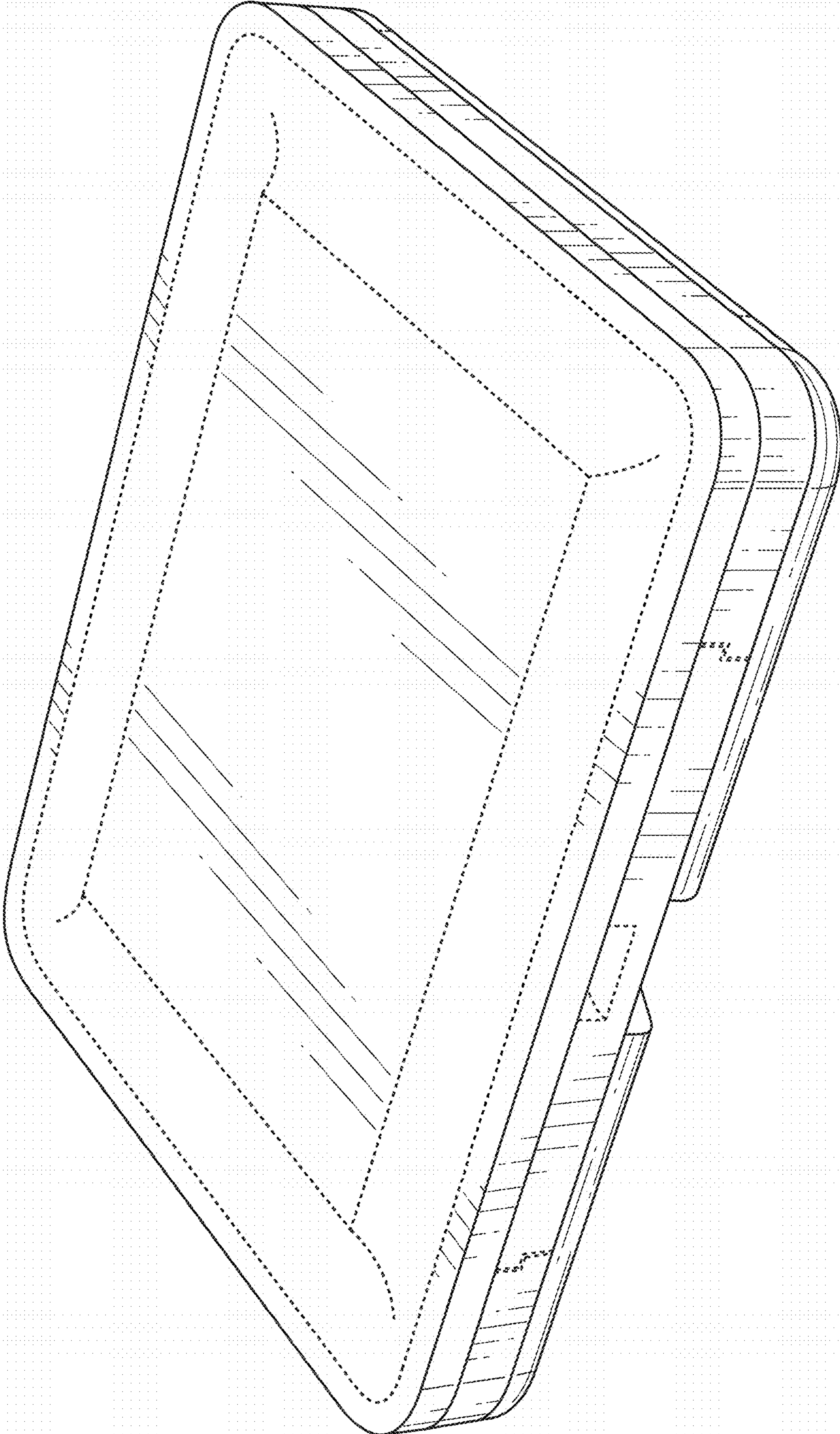


FIG. 1



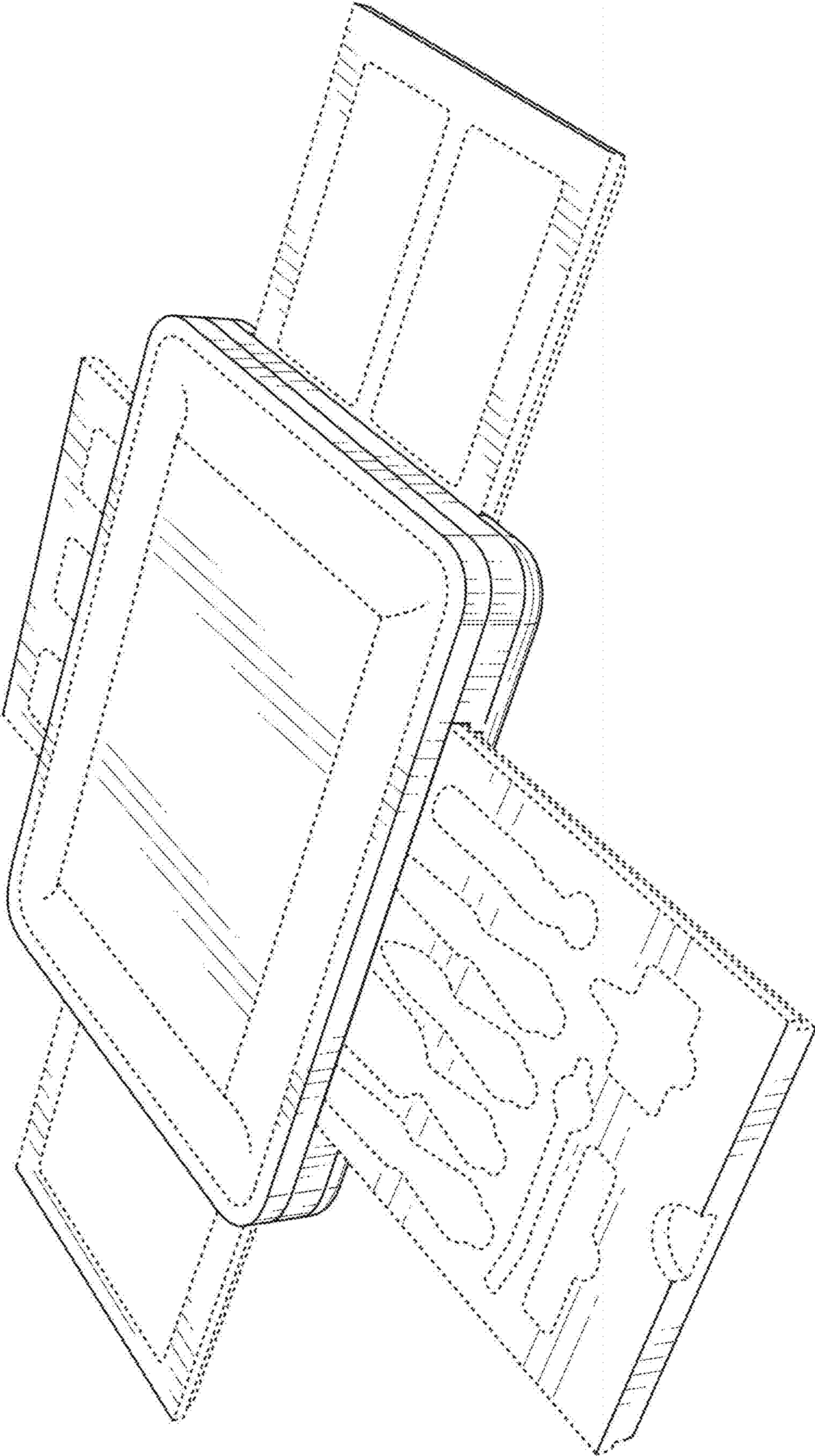


FIG. 2

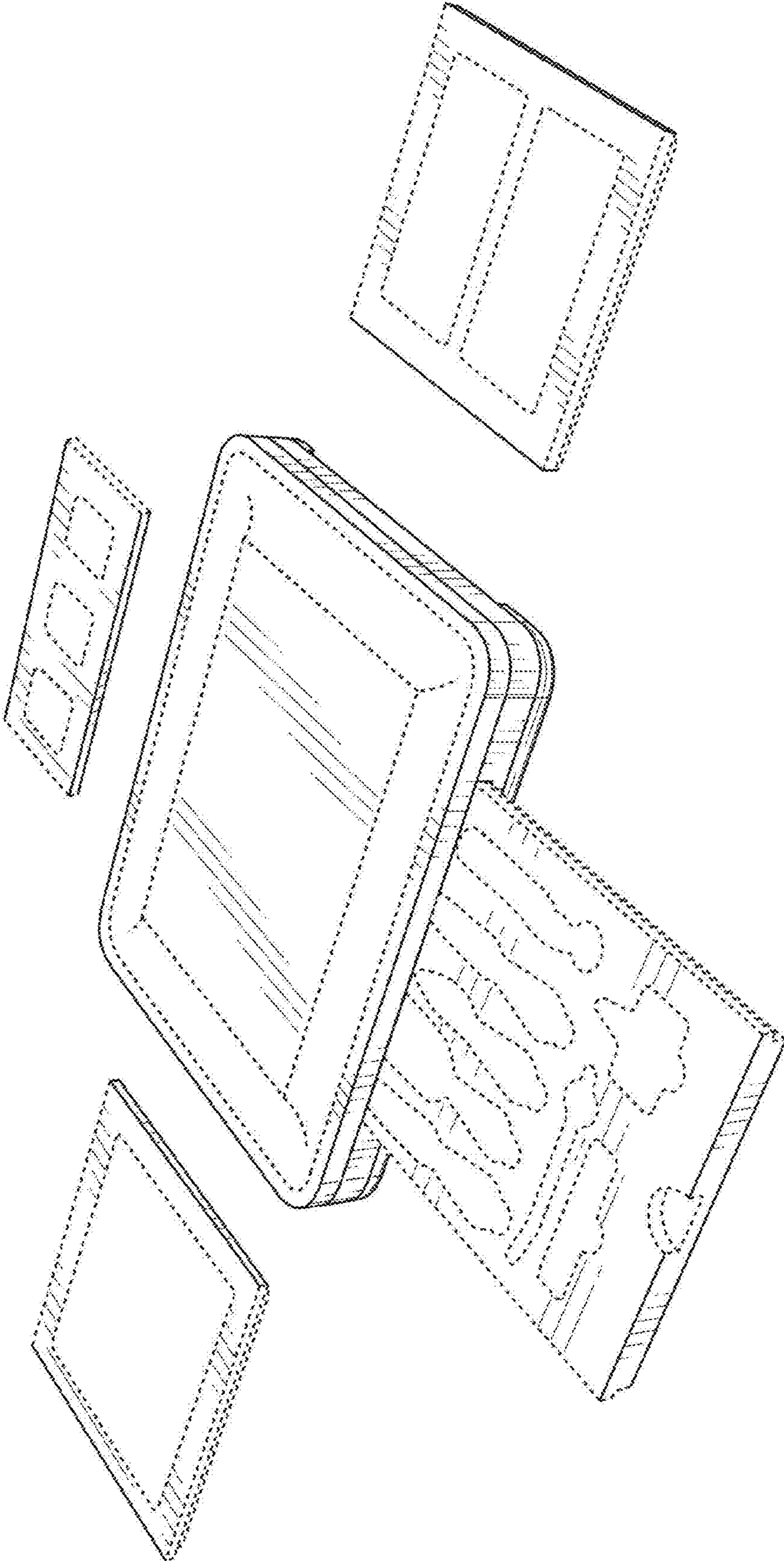


FIG. 3

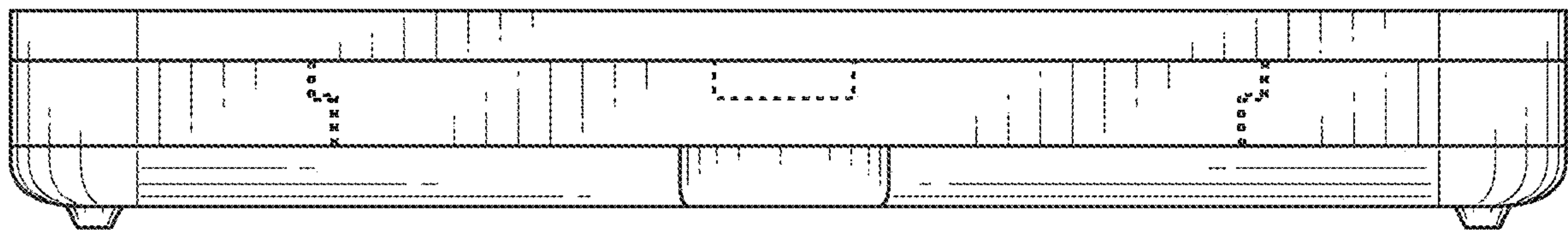
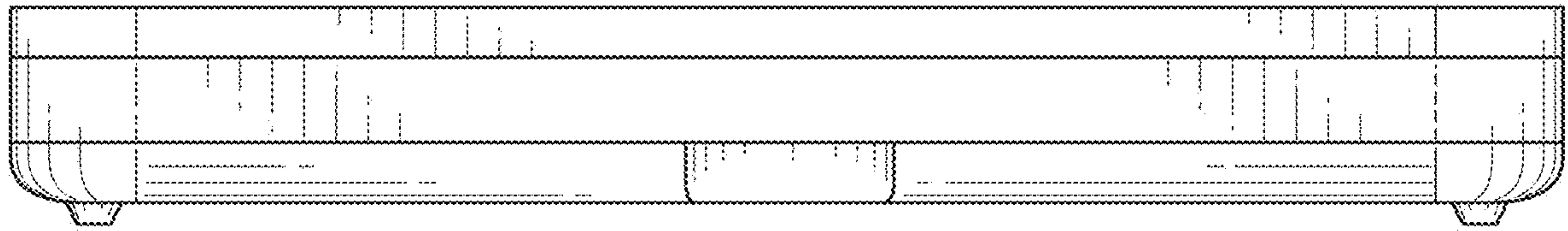


FIG. 4



**FIG. 5**

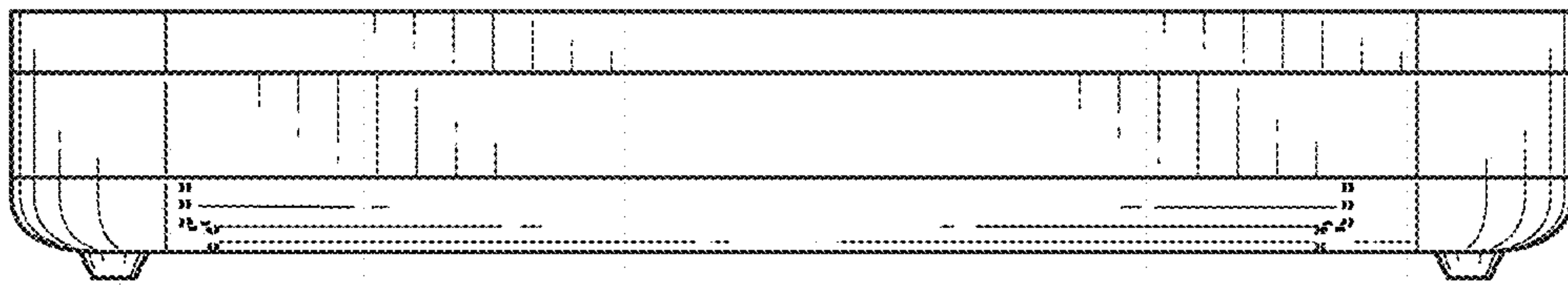
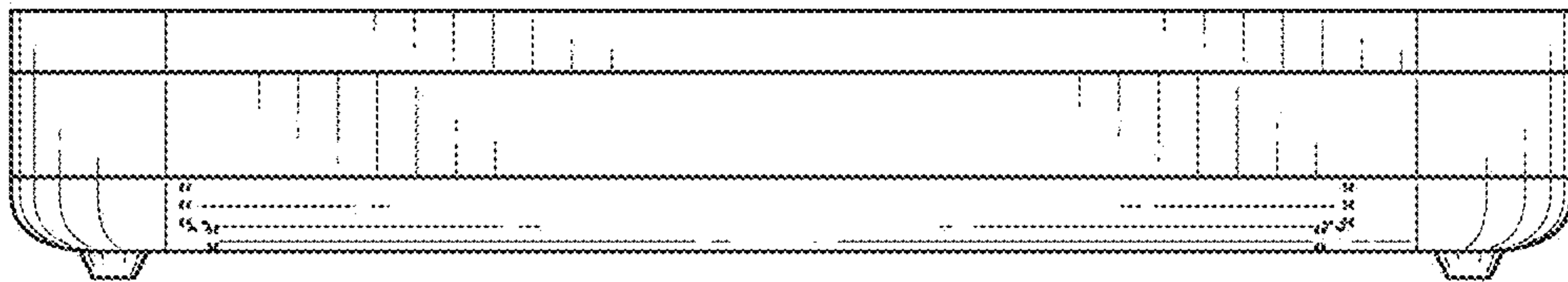
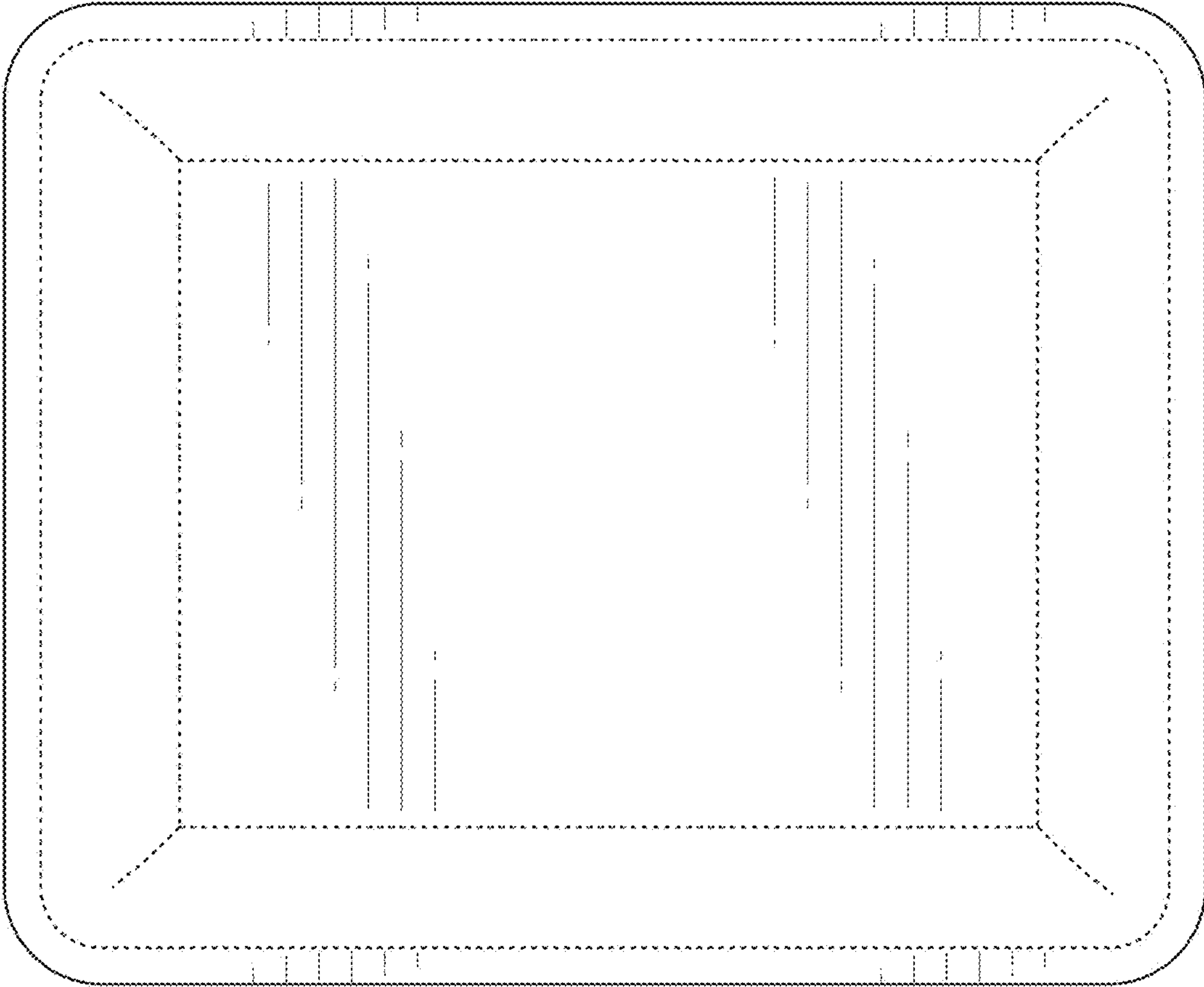


FIG. 6





**FIG. 7**



**FIG. 8**

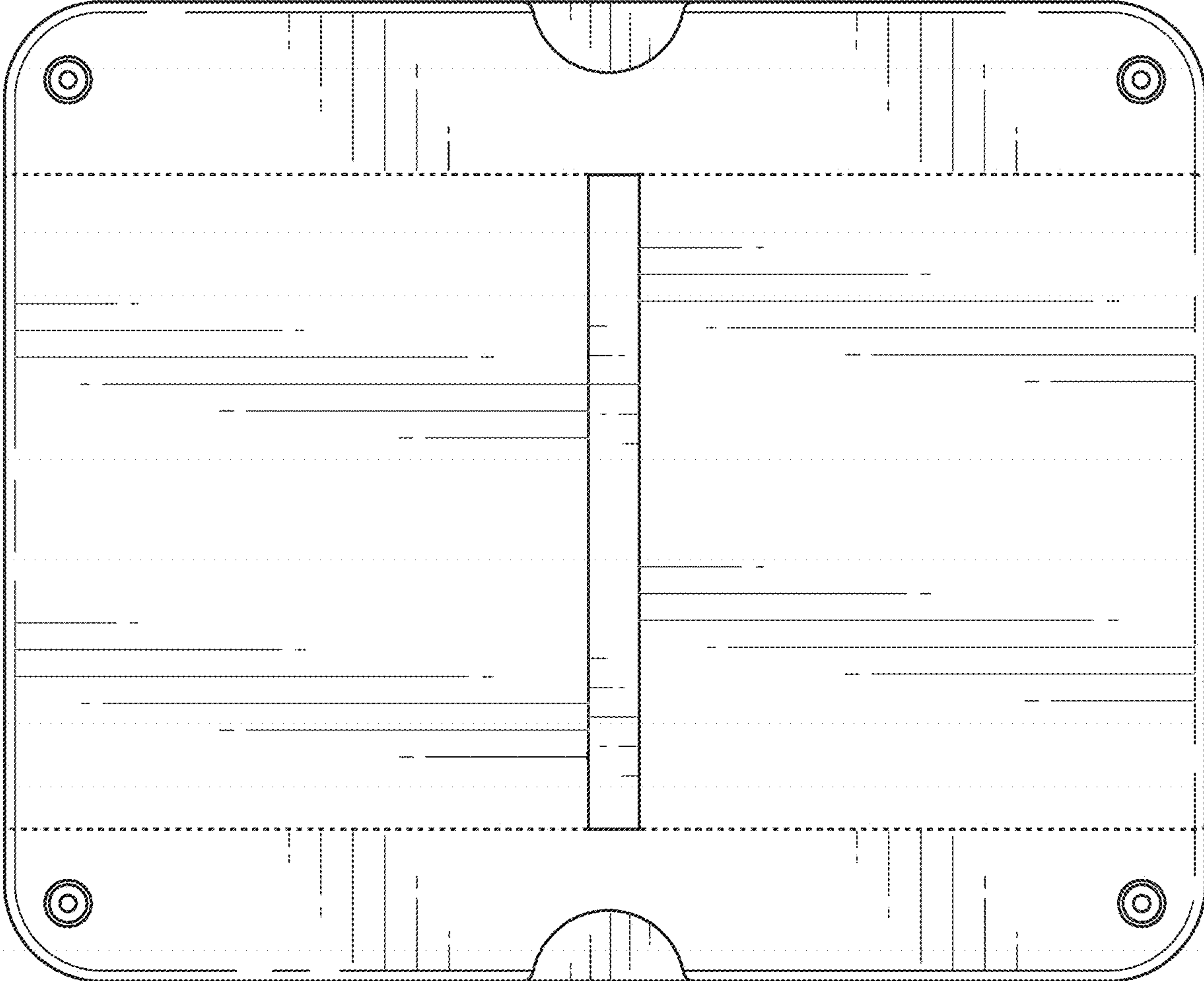


FIG. 9