



US00D964823S

(12) **United States Design Patent**
Li

(10) **Patent No.:** **US D964,823 S**

(45) **Date of Patent:** **** Sep. 27, 2022**

(54) **CHEESE BOARD SET**

(71) Applicant: **Heycart, Inc.**

(72) Inventor: **Tony Li**, Monterey Park, CA (US)

(**) Term: **15 Years**

(21) Appl. No.: **29/770,295**

(22) Filed: **Feb. 10, 2021**

(51) **LOC (13) Cl.** **07-04**

(52) **U.S. Cl.**
USPC **D7/698**

(58) **Field of Classification Search**
USPC D7/398, 408, 543, 549, 550.1, 553.8,
D7/554.3, 554.5, 546, 586, 698-699;
D10/87; D32/55-57
CPC A47J 45/02; A47J 47/00; A47J 47/005;
A47J 47/20; B26D 7/0006; B26D 7/018;
B26D 7/20; B23D 21/00; B23K 37/04;
B23K 37/053; B23Q 16/001; A45C 11/20
See application file for complete search history.

(56) **References Cited**

U.S. PATENT DOCUMENTS

D304,277 S	*	10/1989	Wolff	D7/698
D595,093 S	*	6/2009	McComas	D7/553.4
D598,252 S	*	8/2009	West	D7/698
D620,312 S	*	7/2010	Jendrass	D7/408
D650,237 S	*	12/2011	McComas	D7/553.8
D671,806 S	*	12/2012	Kaufmann	D7/698
D687,269 S	*	8/2013	Guy	D7/698
D763,638 S	*	8/2016	Whitlock	D7/699
D906,067 S	*	12/2020	Alsofi	D7/698
D925,997 S	*	7/2021	Whitlock	D7/698

D939,298 S	*	12/2021	Li	D7/698
D941,102 S	*	1/2022	Whitlock	D7/698
2010/0012616 A1	*	1/2010	Guy	A45C 11/20 29/700

OTHER PUBLICATIONS

SMIRLY Cheese Board and Knife Set. Date First Available on Amazon.com Nov. 25, 2020. <https://www.amazon.com/dp/B08P4BBJB6/ref> (Year: 2020).*

* cited by examiner

Primary Examiner — Ricky Pham
(74) *Attorney, Agent, or Firm* — Cionca IP Law P.C.;
Marin Cionca

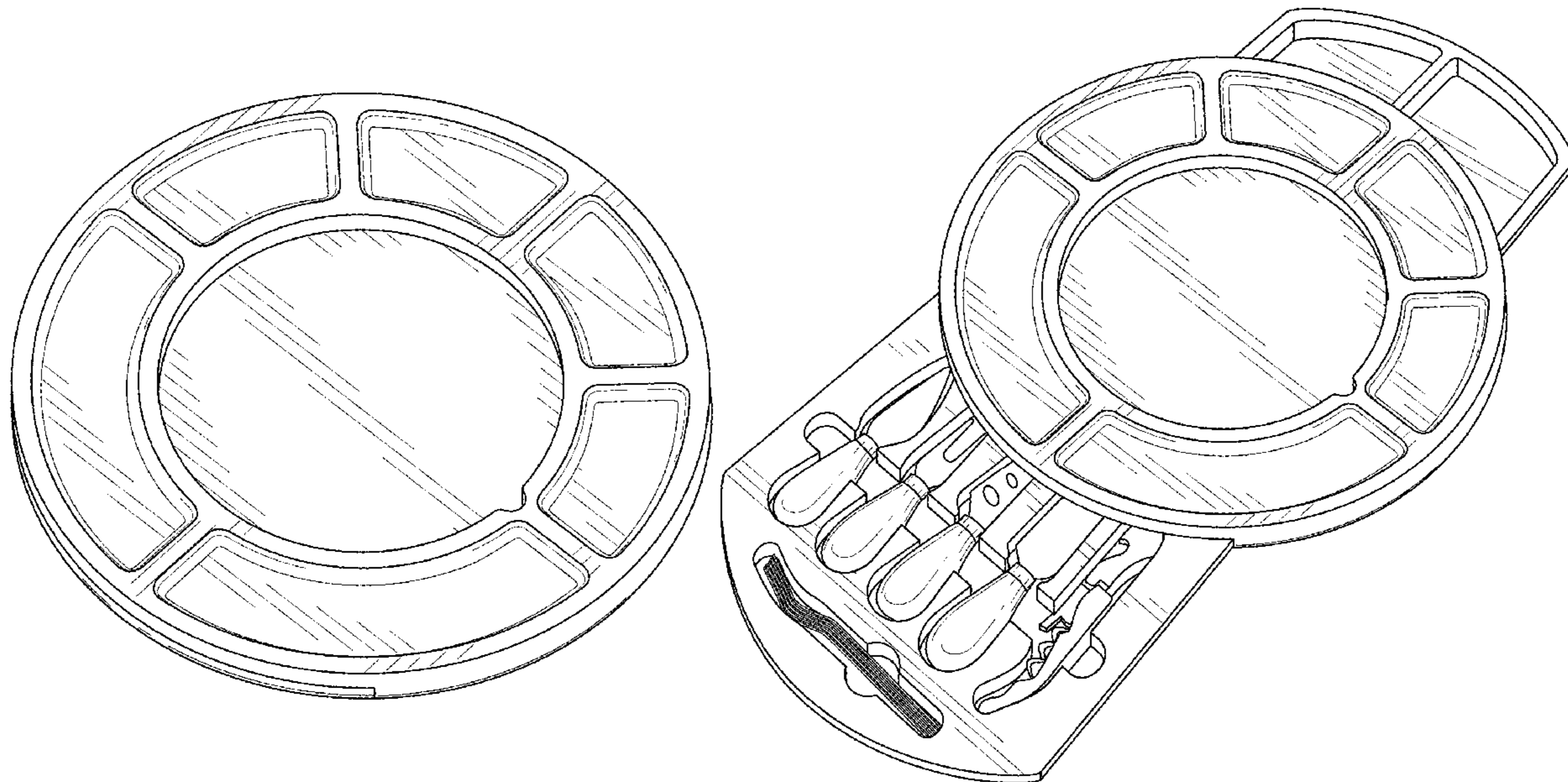
(57) **CLAIM**

The ornamental design for a cheese board set, as shown and described.

DESCRIPTION

FIG. 1 is a perspective view of a cheese board set showing my new design in retracted form,
FIG. 2 is a top view thereof,
FIG. 3 is a bottom view thereof,
FIG. 4 is a front view thereof,
FIG. 5 is a back view thereof,
FIG. 6 is a right-side view thereof,
FIG. 7 is a left-side view thereof,
FIG. 8 is a top perspective view thereof, with the cheese board set in extended form; and,
FIG. 9 is a top perspective view thereof, with the cheese board set in extended form with the parts removed.

1 Claim, 7 Drawing Sheets



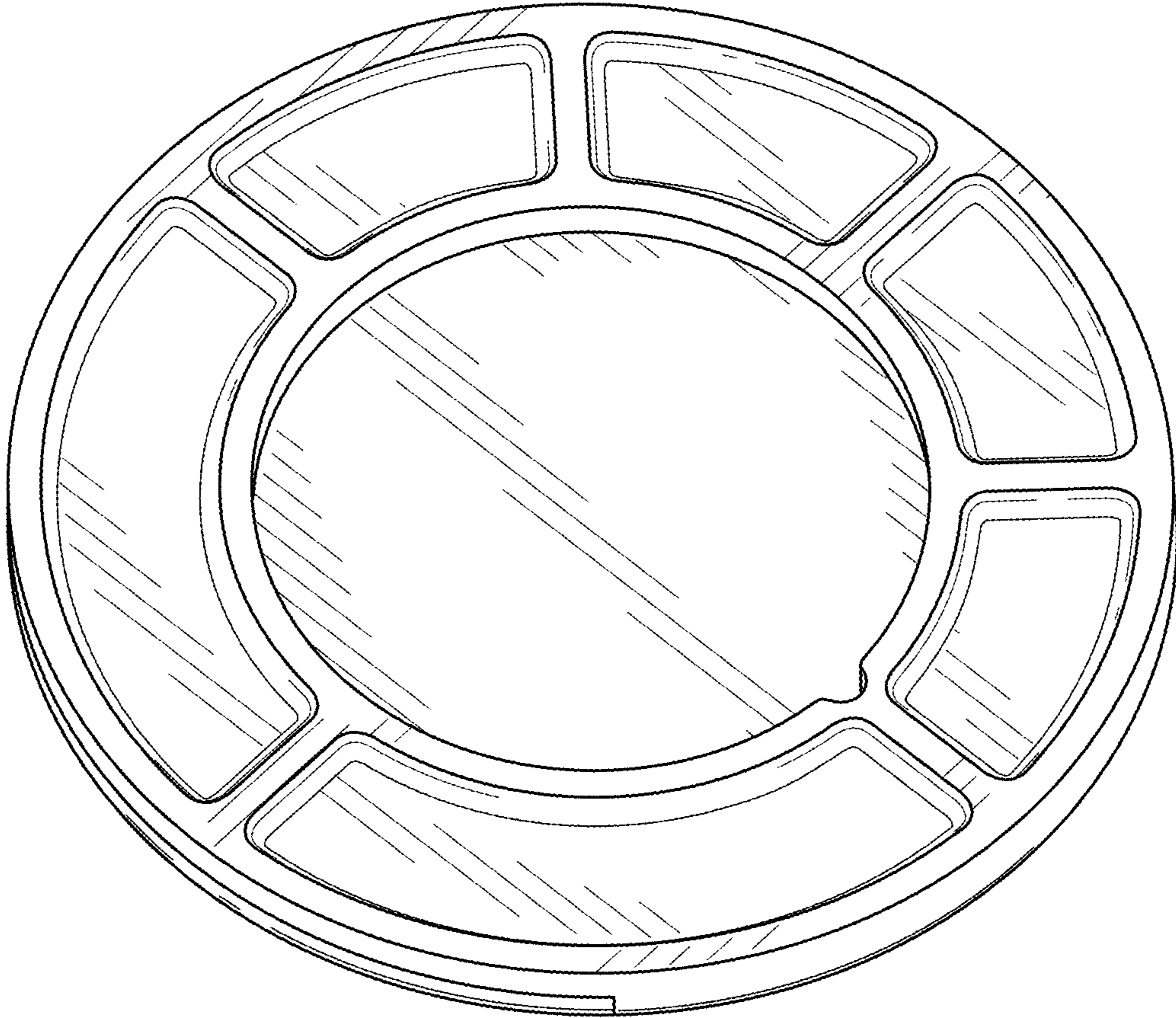


FIG. 1

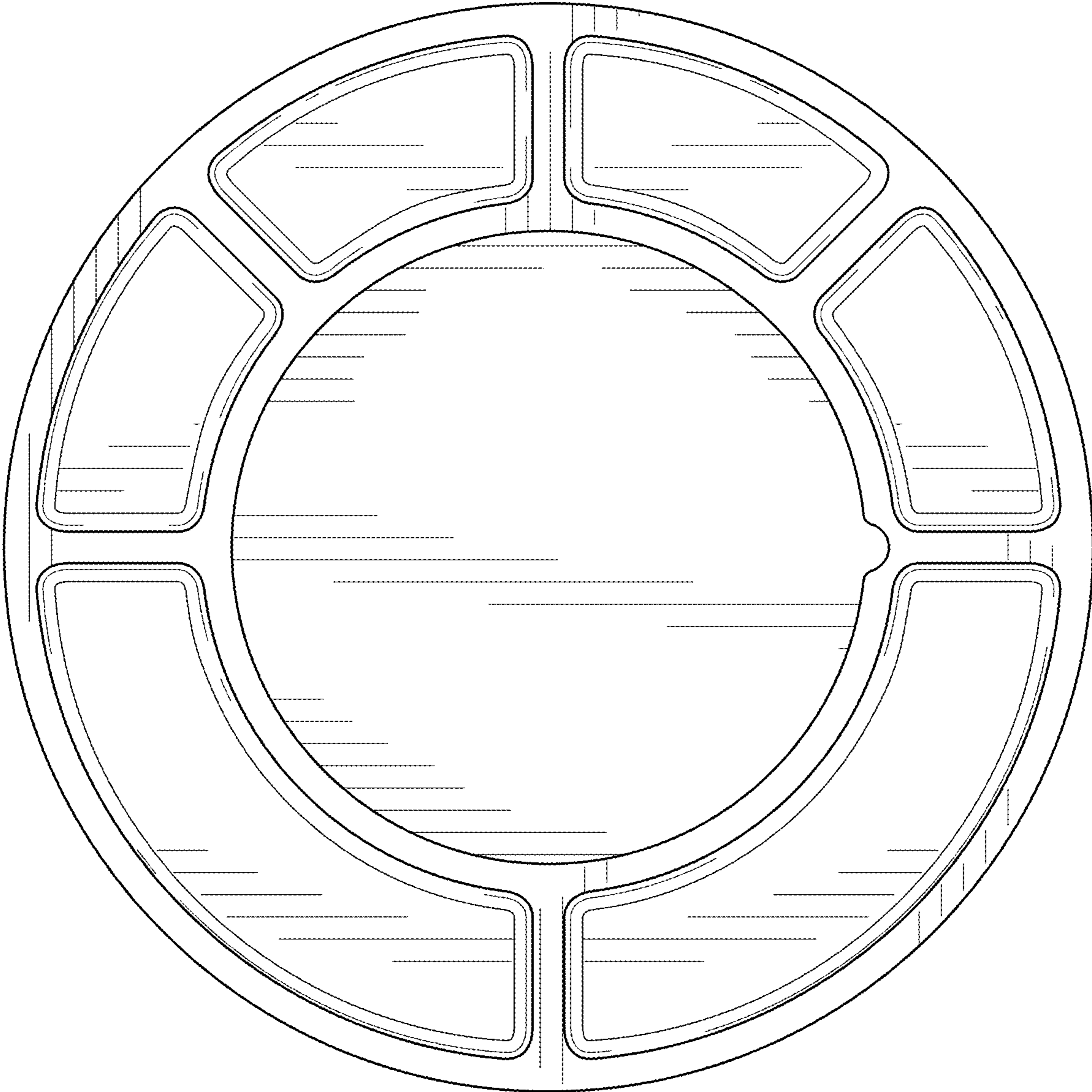


FIG. 2

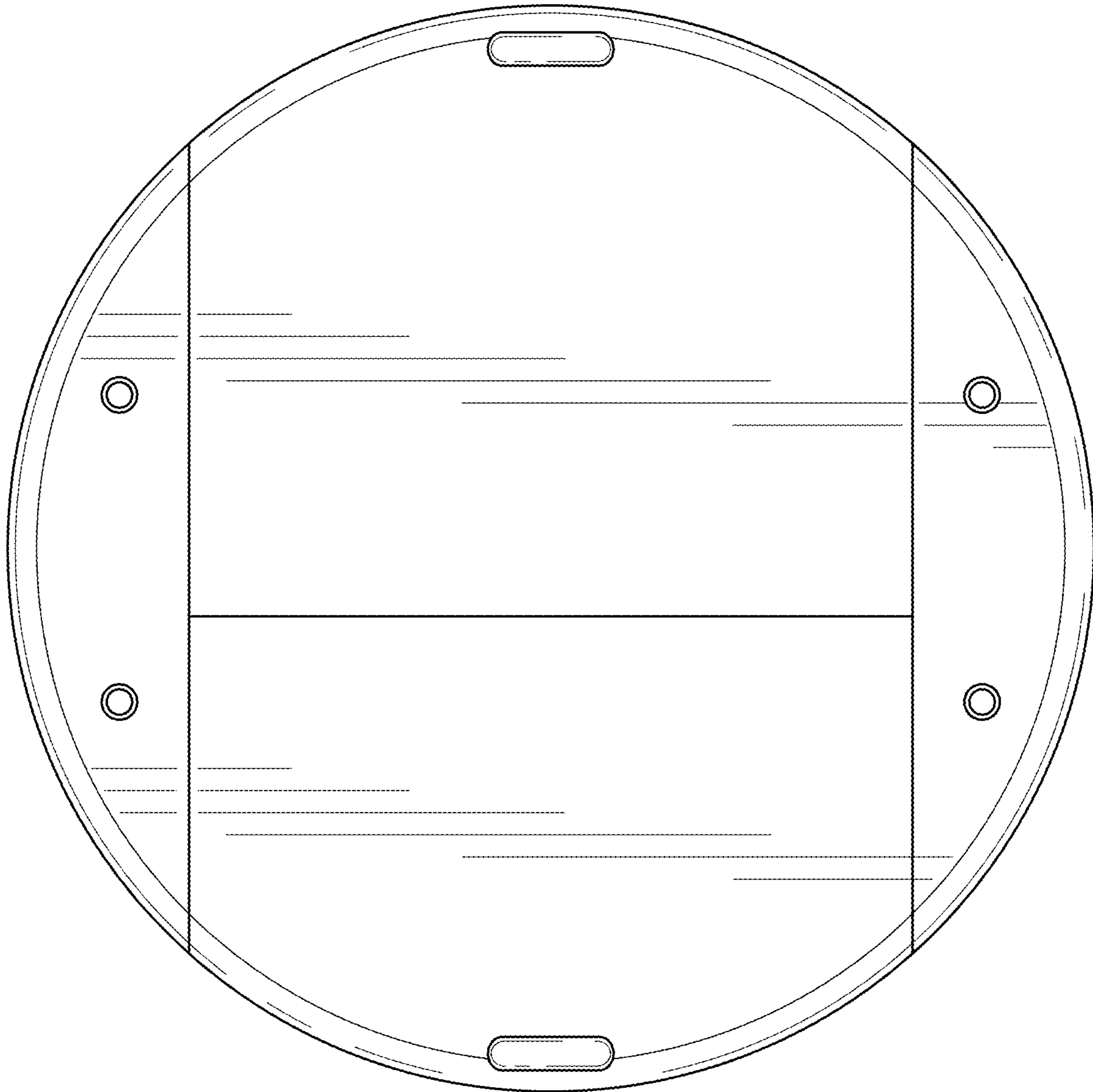


FIG. 3

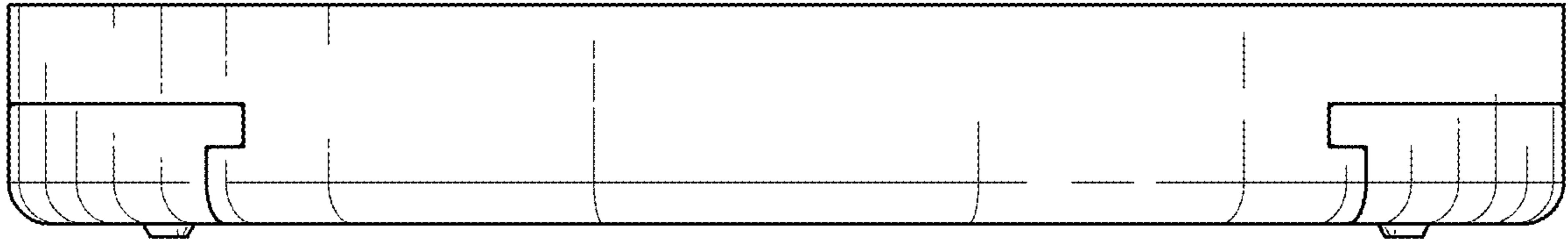


FIG. 4

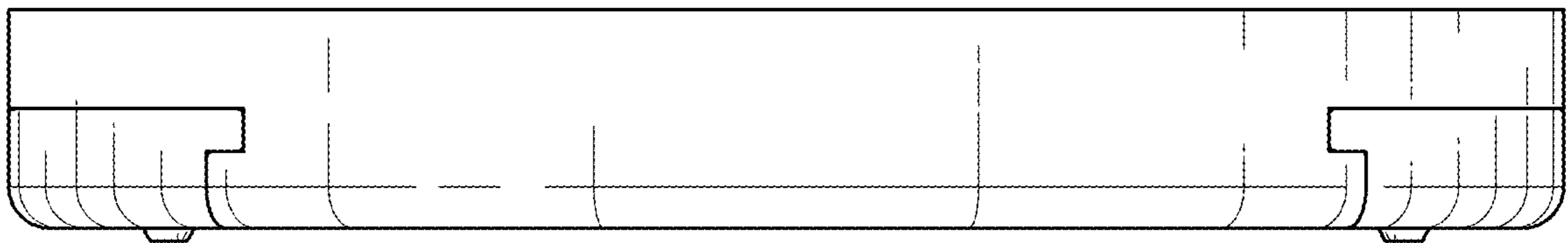


FIG. 5

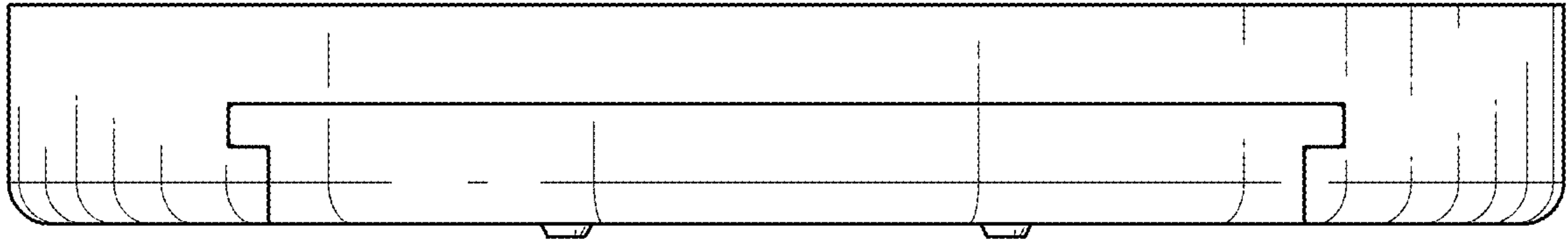


FIG. 6

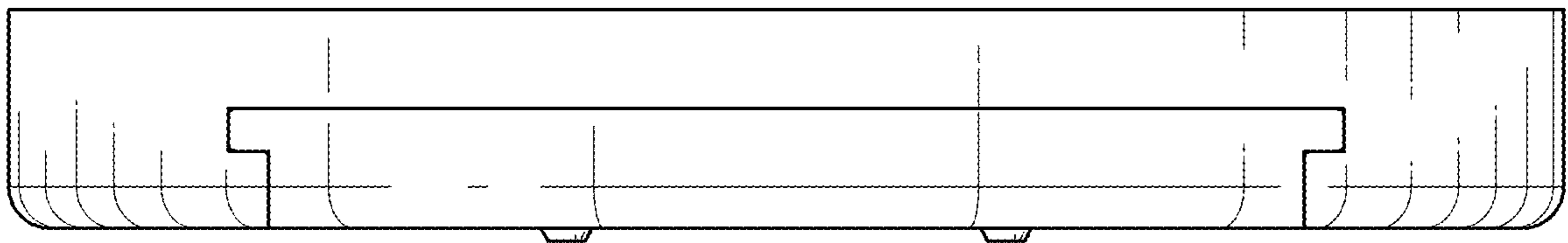


FIG. 7

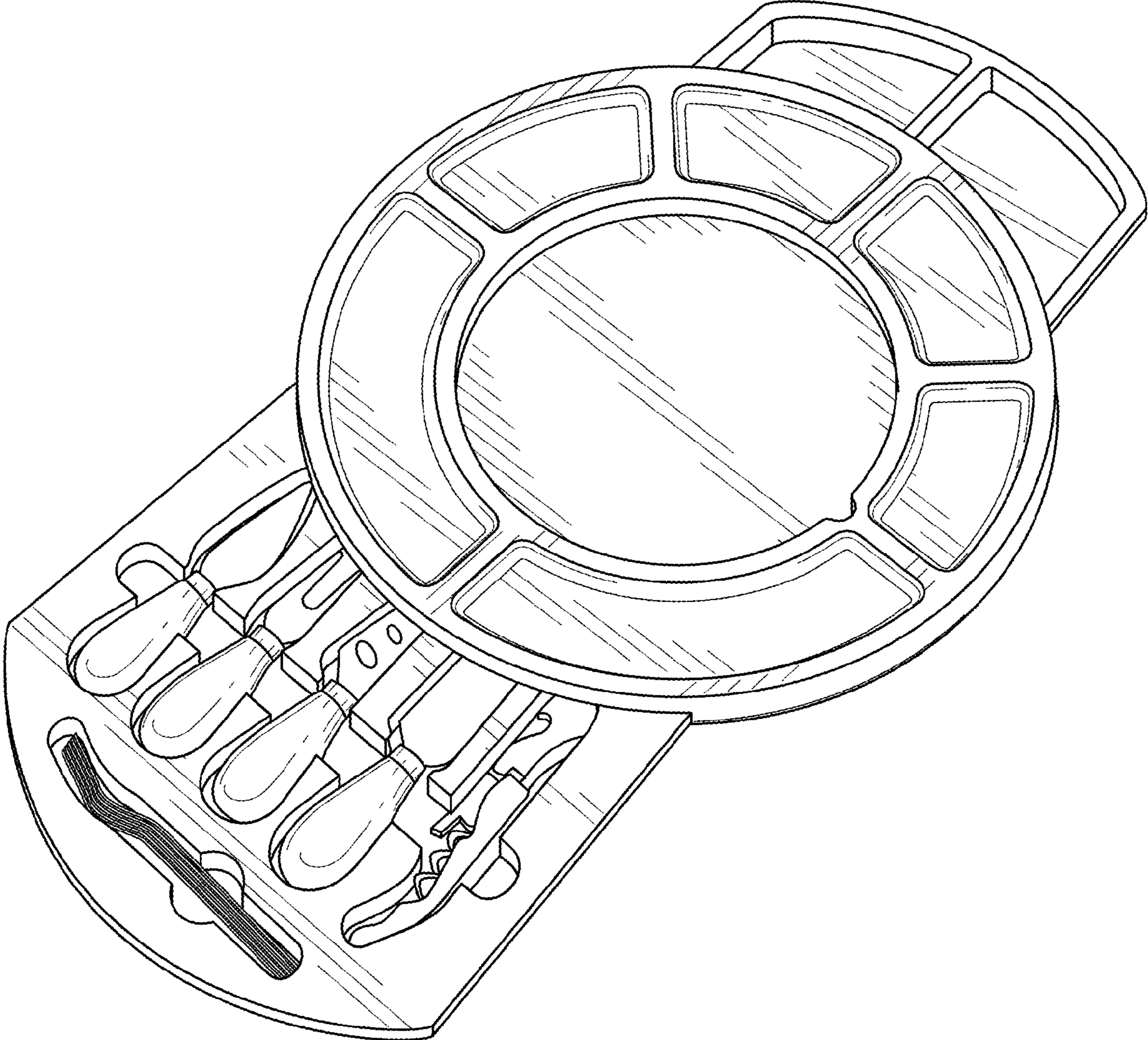


FIG. 8

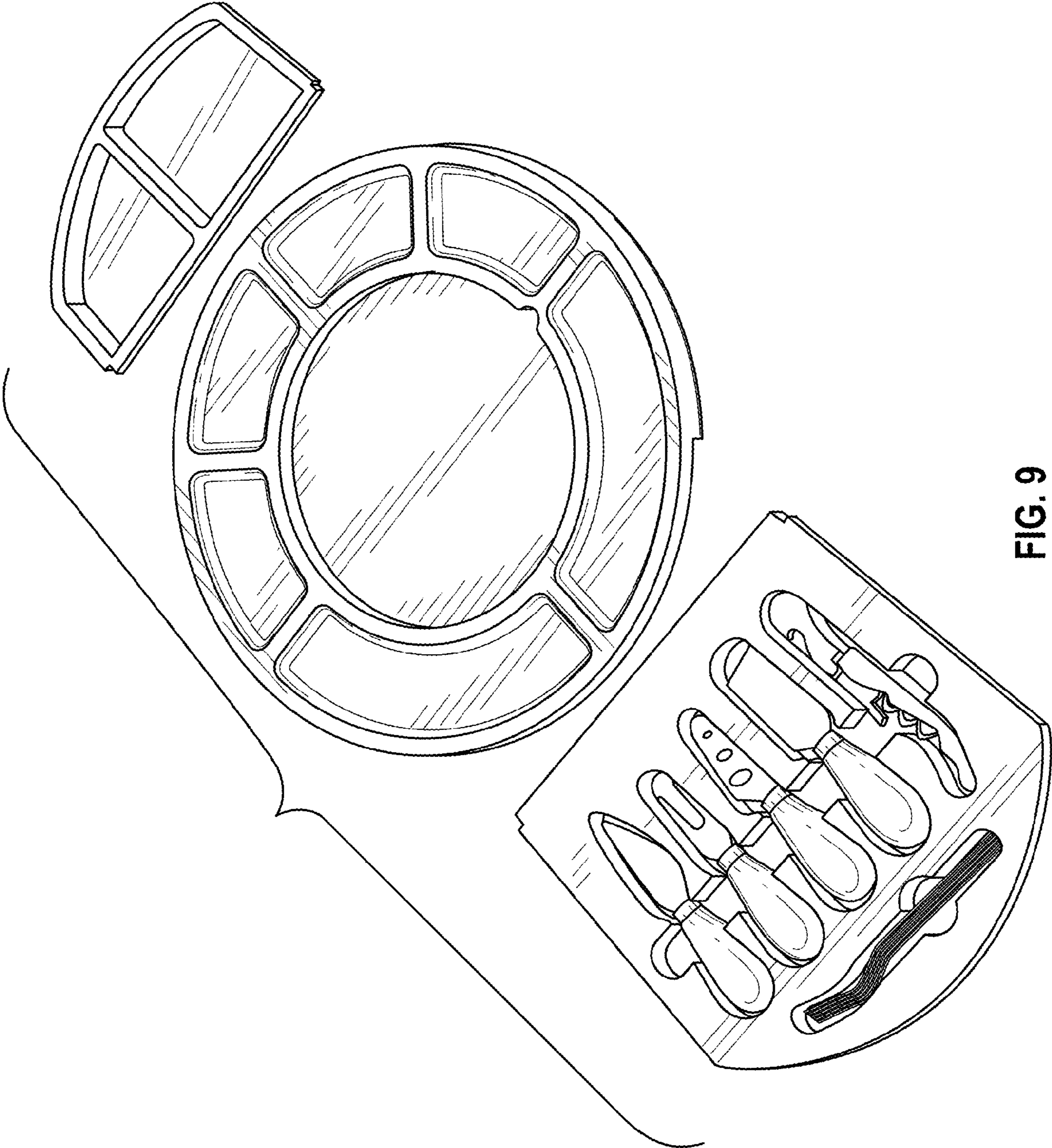


FIG. 9