

US00D964822S

(12) **United States Design Patent** (10) **Patent No.:** **US D964,822 S**
Xu (45) **Date of Patent:** **** Sep. 27, 2022**

(54) **GRINDER**

(71) Applicant: **Hangzhou Tianmu Household Products Co., Ltd.**, Hangzhou (CN)

(72) Inventor: **Xiaohui Xu**, Hangzhou (CN)

(**) Term: **15 Years**

(21) Appl. No.: **29/760,481**

(22) Filed: **Dec. 1, 2020**

(51) **LOC (13) Cl.** **07-04**

(52) **U.S. Cl.**
USPC **D7/679**

(58) **Field of Classification Search**
USPC D7/679, 372, 373
CPC .. A47J 42/40; A47J 42/04; A47J 42/14; A47J 42/24; A47J 42/34; A47J 43/40; A47J 43/04; B65D 47/0814
See application file for complete search history.

(56) **References Cited**

U.S. PATENT DOCUMENTS

D96,679 S *	8/1935	Kopf	D7/372
D218,256 S *	8/1970	Rams	D7/373
D362,598 S *	9/1995	Kibbe	D9/504
D446,692 S *	8/2001	Bodum	D9/504
D486,702 S *	2/2004	Sorensen	D7/679
D530,993 S *	10/2006	Kolflat	D7/679
D581,750 S *	12/2008	de Groote	D7/597
2009/0095832 A1 *	4/2009	Wu	A47J 42/40 241/169.1

OTHER PUBLICATIONS

Amazon.com, AdHoc Acacia Wood Salt and Pepper Mill, ASIN: B084534GDS, 8 pages, date first available Jan. 23, 2020 (Year: 2020).*

Amazon.com, Hammerton Mills, Wooden Salt and Pepper Grinder Set, ASIN: B08K2Y55LH, 10 pages, date first available Sep. 25, 2020 (Year: 2020).*

* cited by examiner

Primary Examiner — Terry A Wallace

(74) *Attorney, Agent, or Firm* — Runit Ranjit Kanakia

(57) **CLAIM**

The ornamental design for a grinder, as shown and described.

DESCRIPTION

FIG. 1 is a perspective view of a grinder showing my new design;

FIG. 2 is a perspective view from bottom side thereof

FIG. 3 is a front view thereof;

FIG. 4 is a rear view thereof;

FIG. 5 is a left side view thereof;

FIG. 6 is a right side view thereof;

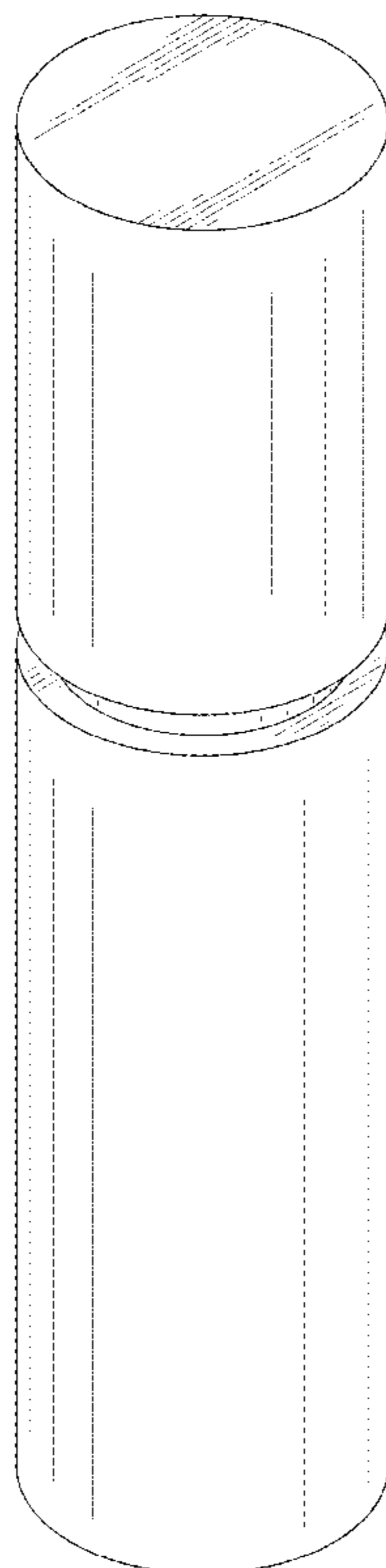
FIG. 7 is a top plan view thereof;

FIG. 8 is a bottom plan view thereof; and,

FIG. 9 is a partial enlarged view of FIG. 2.

The broken lines in the drawing depict portions of the grinder that form no part of the claimed design.

1 Claim, 9 Drawing Sheets



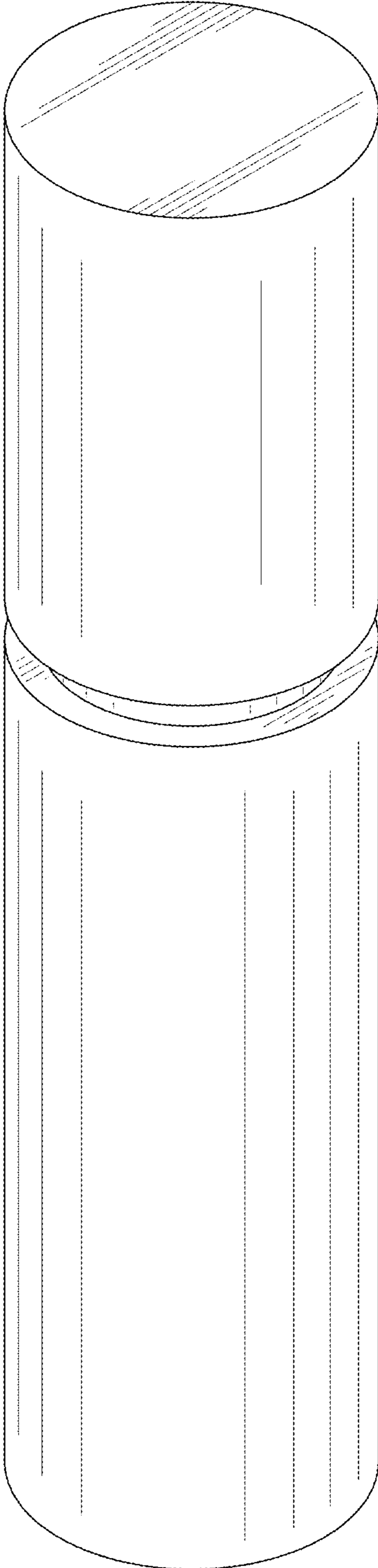


FIG. 1

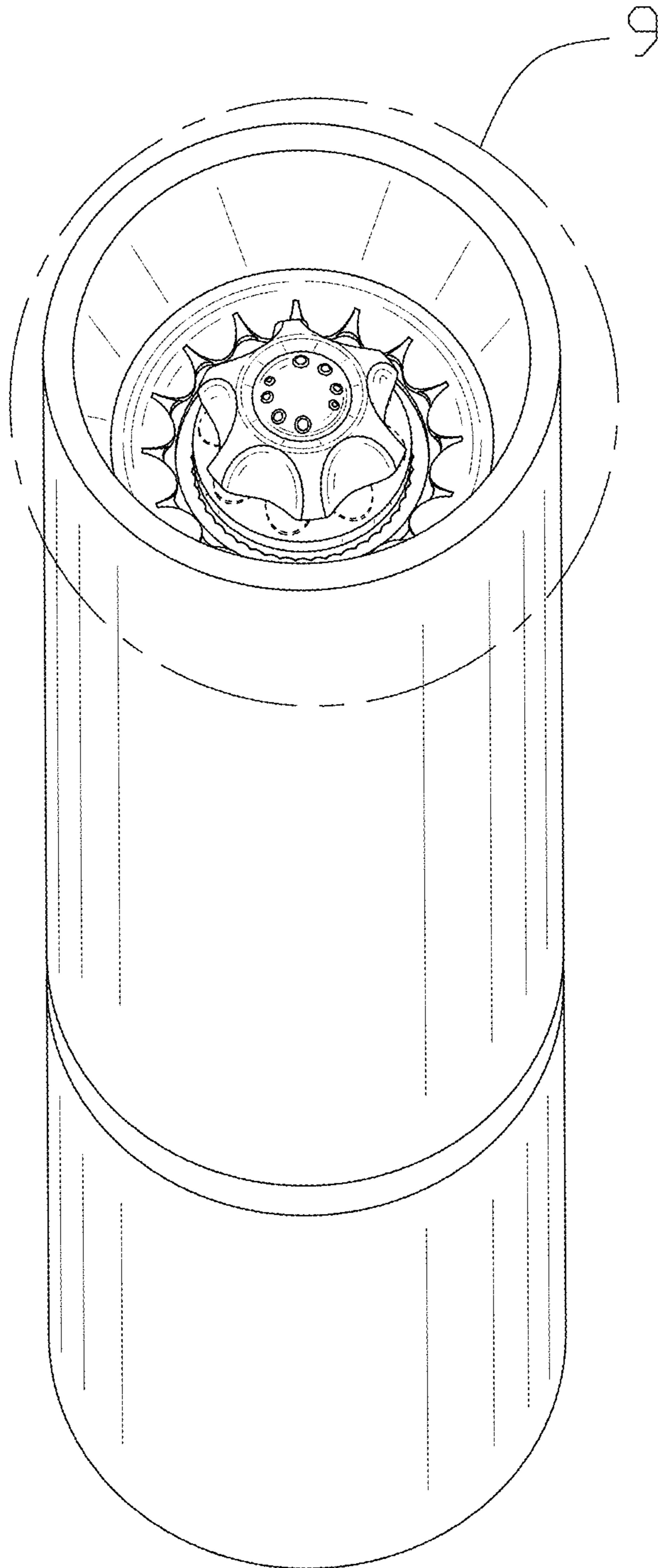


FIG. 2

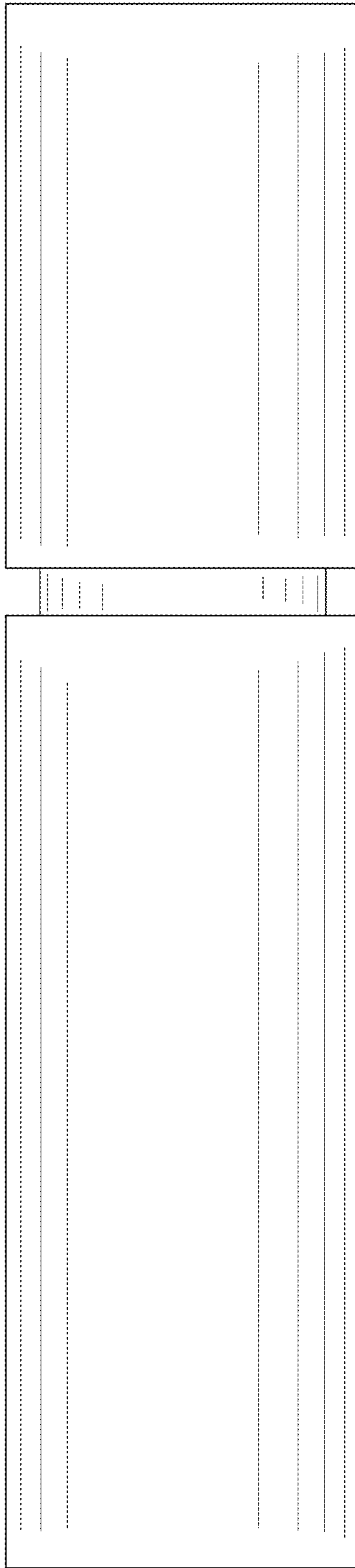


FIG. 3

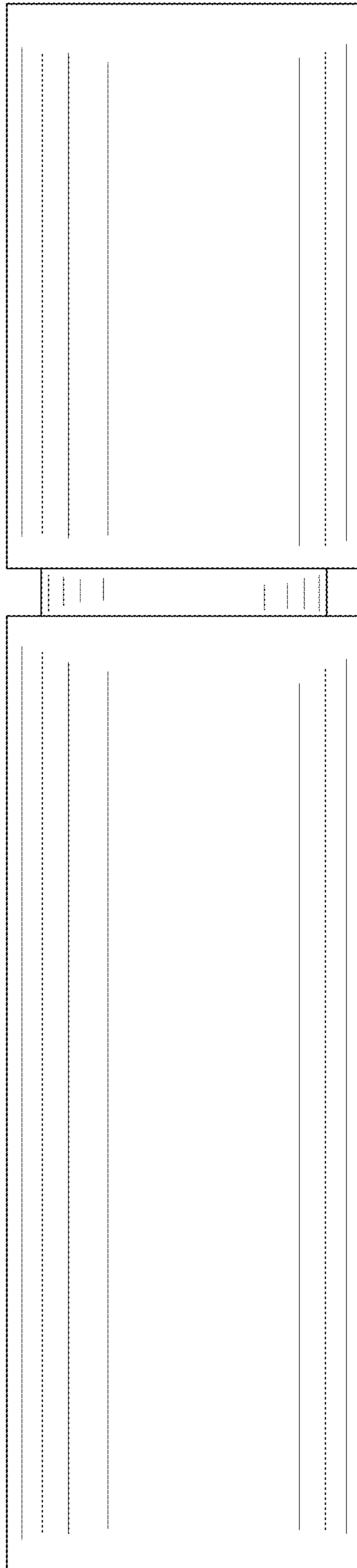


FIG. 4

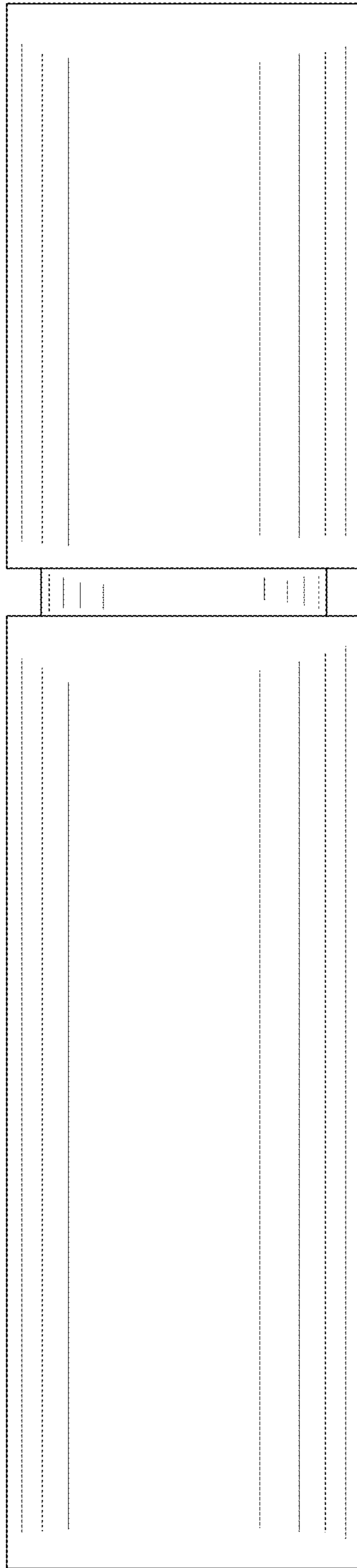


FIG. 5

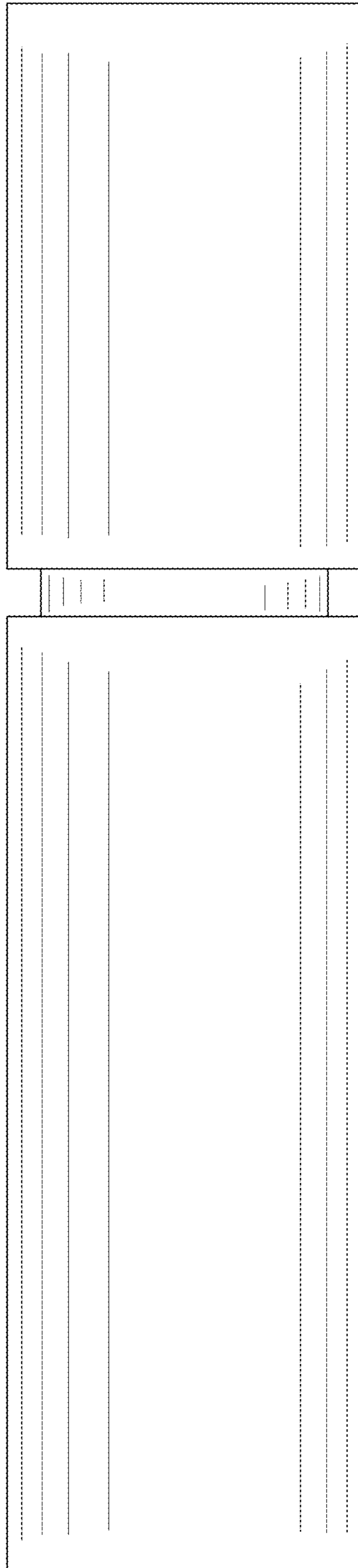


FIG. 6

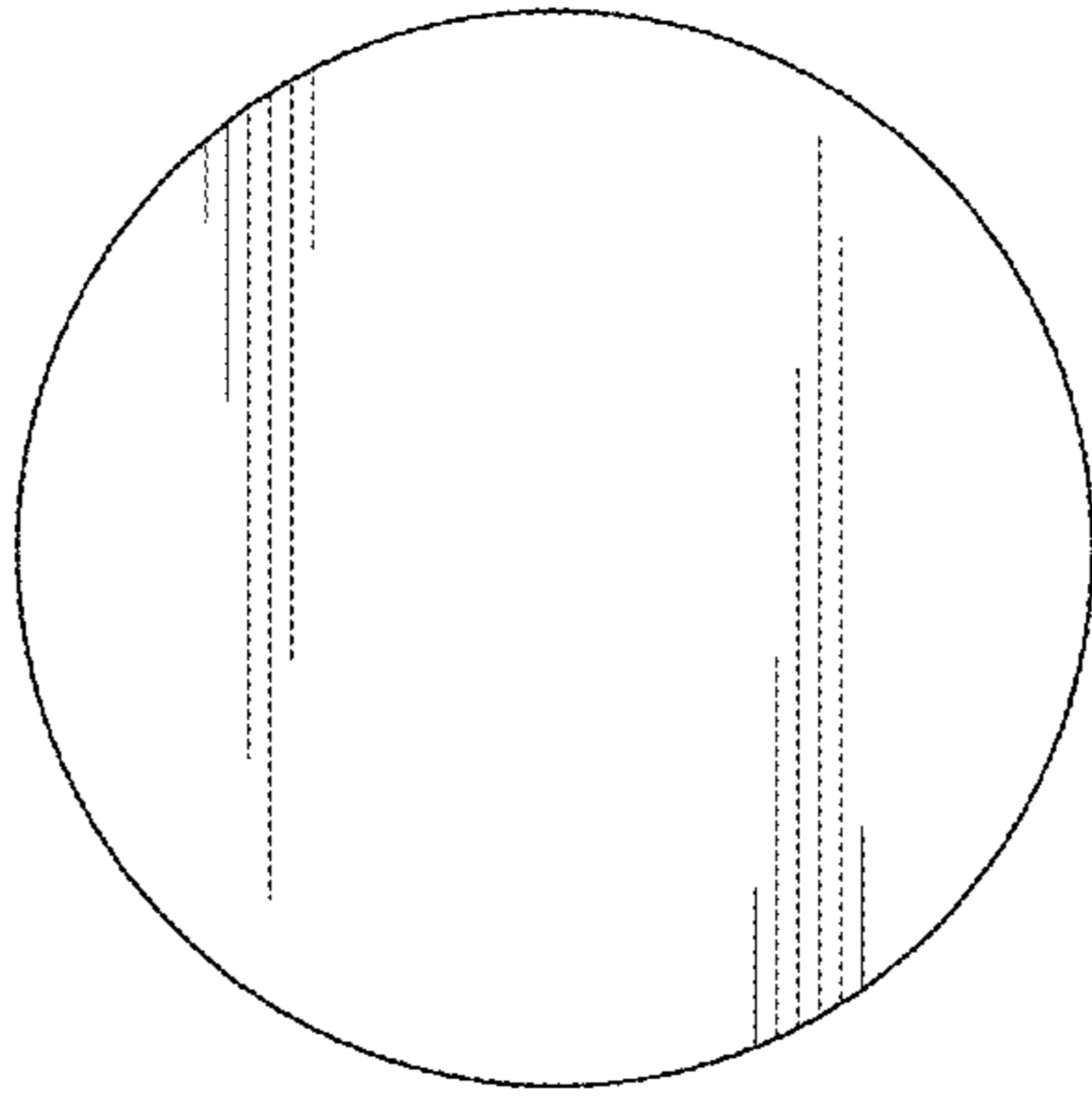


FIG. 7

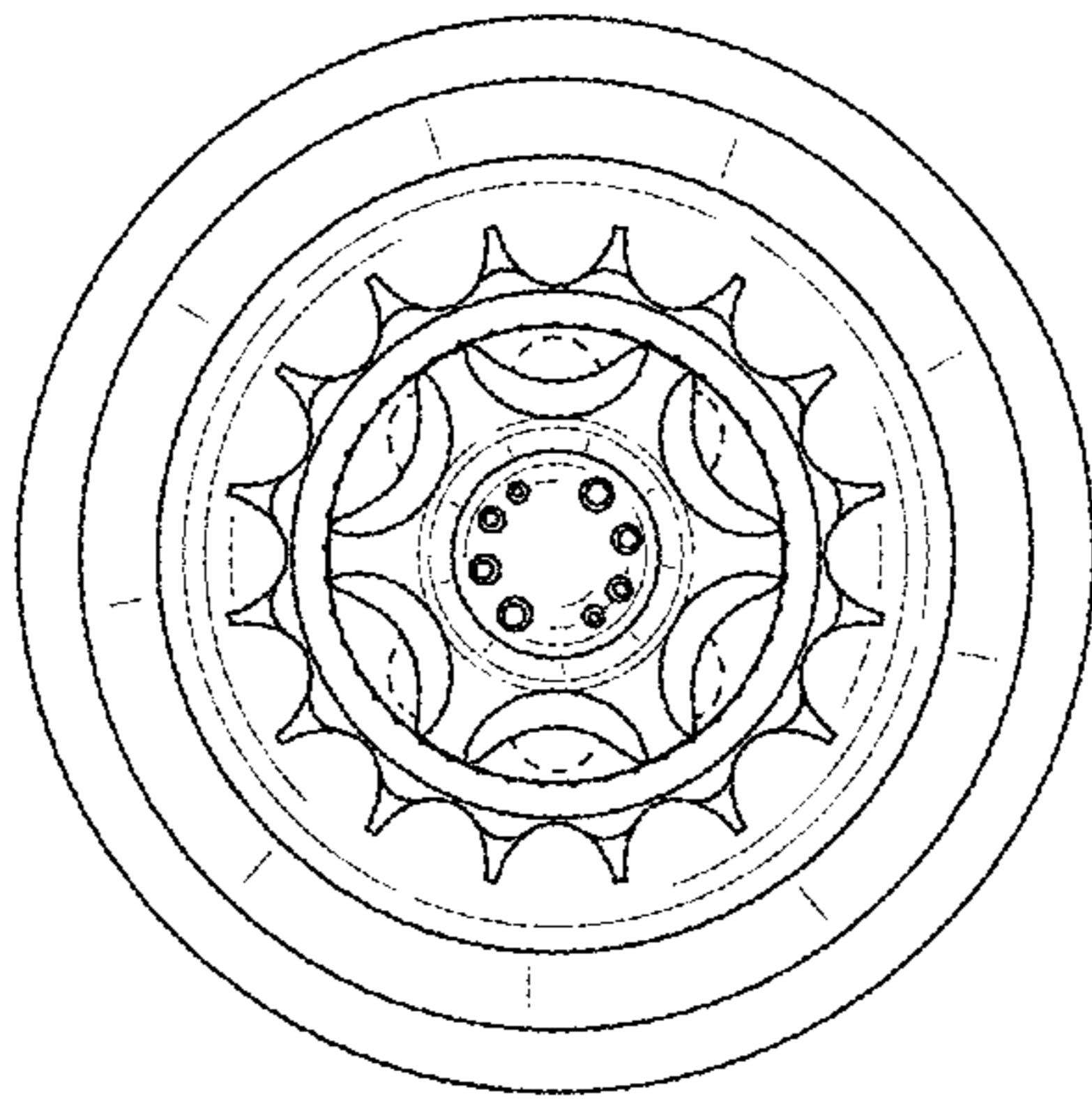


FIG. 8

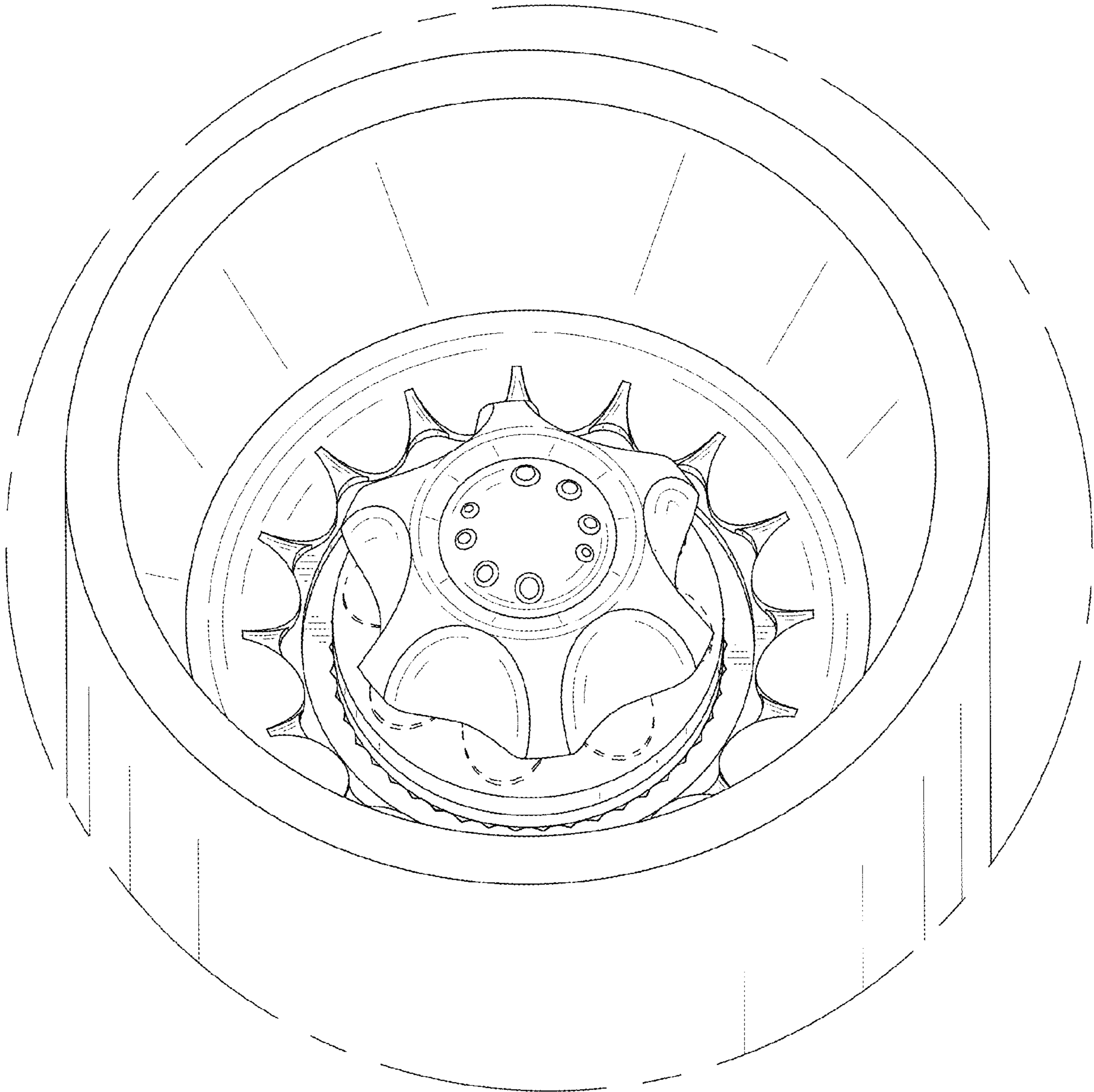


FIG. 9