

US00D964821S

(12) **United States Design Patent**
Yang

(10) **Patent No.:** **US D964,821 S**

(45) **Date of Patent:** **** Sep. 27, 2022**

(54) **BASTER**
(71) Applicant: **Shenzhen Youta Innovation Technology Co., Ltd.,** Shenzhen (CN)
(72) Inventor: **Fuquan Yang,** Shenzhen (CN)
(**) Term: **15 Years**
(21) Appl. No.: **29/831,762**

6,575,204 B1 * 6/2003 Godfrey A47J 37/106
141/26
D487,380 S * 3/2004 Kaposi A01G 27/00
D7/669
D521,327 S 5/2006 Neal et al.
7,166,090 B2 * 1/2007 Marsden A61M 35/003
604/290
D689,745 S 9/2013 Robbins
D774,366 S 12/2016 Joseph
D873,096 S 1/2020 Frank et al.

(22) Filed: **Mar. 23, 2022**

(30) **Foreign Application Priority Data**

Sep. 27, 2021 (CN) 202130643223.0

(51) **LOC (13) Cl.** **07-04**

(52) **U.S. Cl.**
USPC **D7/669**

(58) **Field of Classification Search**
USPC D7/368, 387, 665-669, 672, 673,
D7/678-680, 682-687, 693; D24/115
CPC A47J 37/106; A47J 43/00; A47J 43/005
See application file for complete search history.

(56) **References Cited**

U.S. PATENT DOCUMENTS

D200,376 S * 2/1965 Weichselbaum D7/669
3,705,584 A * 12/1972 Fript A61M 3/00
D7/669
D234,228 S * 1/1975 Spiegel D7/669
4,023,305 A * 5/1977 Harschel A01G 27/00
47/79
D366,993 S * 2/1996 Fielding D7/669
D385,757 S * 11/1997 Fielding A61M 3/00
D7/669
D395,207 S * 6/1998 Mohrhauser D7/669
5,787,799 A * 8/1998 Mohrhauser B01L 3/021
222/215
6,354,337 B1 * 3/2002 Odessky A47J 37/106
141/26

OTHER PUBLICATIONS

U-Taste 1.5oz Angled Turkey Baster, first available Oct. 14, 2021, Amazon, [online], [site visited Aug. 2, 2022], Available from internet URL: <https://www.amazon.com/U-Taste-1-5oz-Angled-Turkey-Baster/dp/B09JGF28TK> (Year: 2021).*

* cited by examiner

Primary Examiner — Mary Ann Calabrese
Assistant Examiner — Natalya M Rapundalo
(74) *Attorney, Agent, or Firm* — Runit Ranjit Kanakia

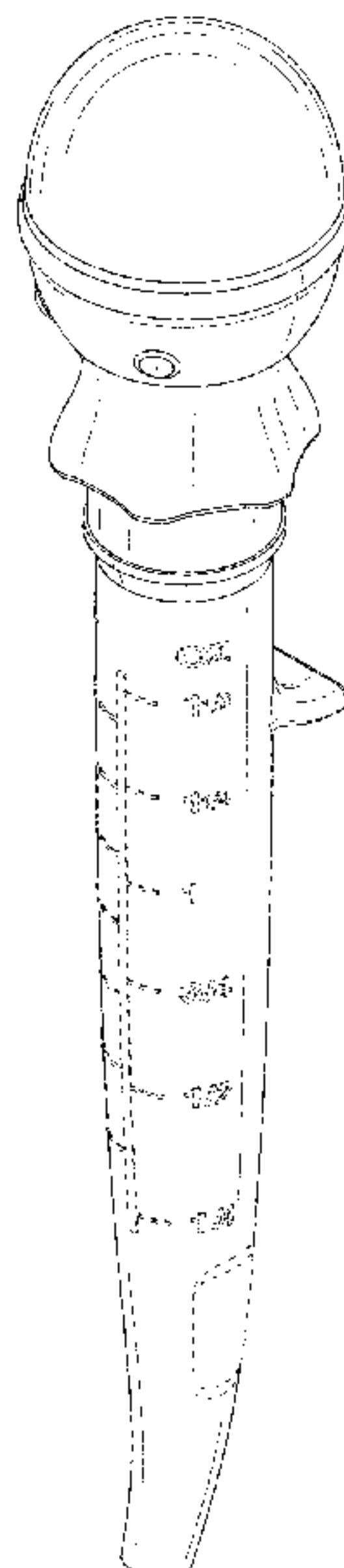
(57) **CLAIM**

I claim the ornamental design for a baster, as shown and described.

DESCRIPTION

FIG. 1 is a front perspective view of a baster showing my new design;
FIG. 2 is a front view thereof;
FIG. 3 is a back view thereof;
FIG. 4 is a left-side view thereof;
FIG. 5 is a right-side view thereof;
FIG. 6 is a top view thereof; and,
FIG. 7 is a bottom view thereof.
The broken lines in the drawings depict portions of the baster that form no part of the claimed design.

1 Claim, 6 Drawing Sheets



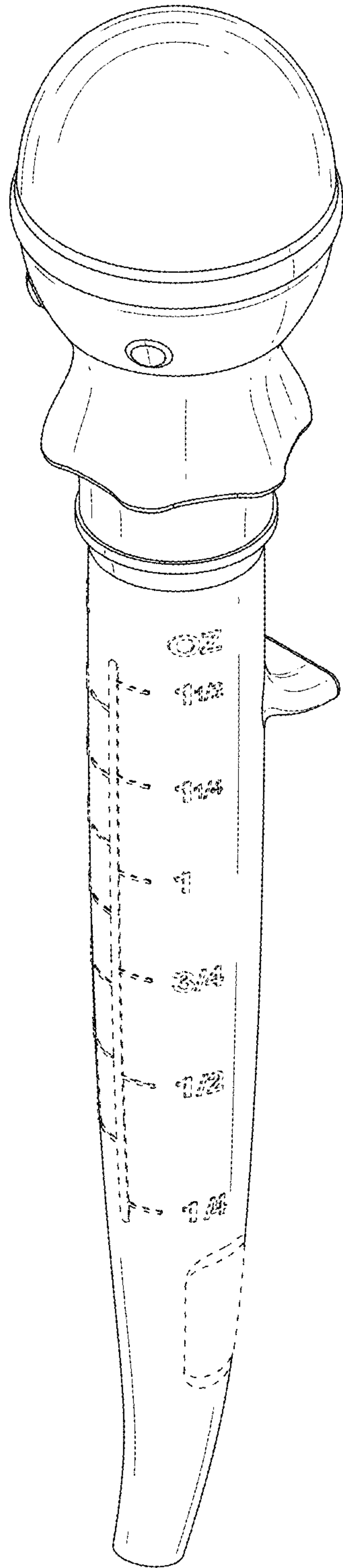


FIG. 1

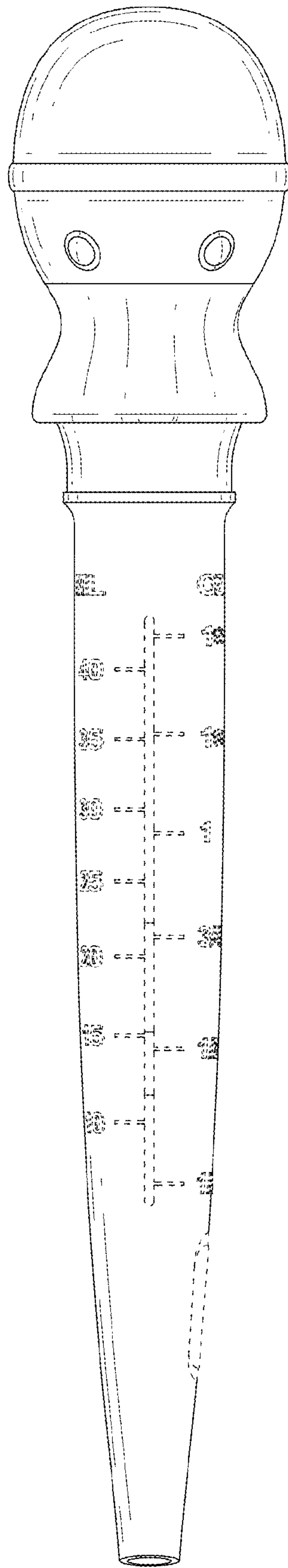


FIG. 2

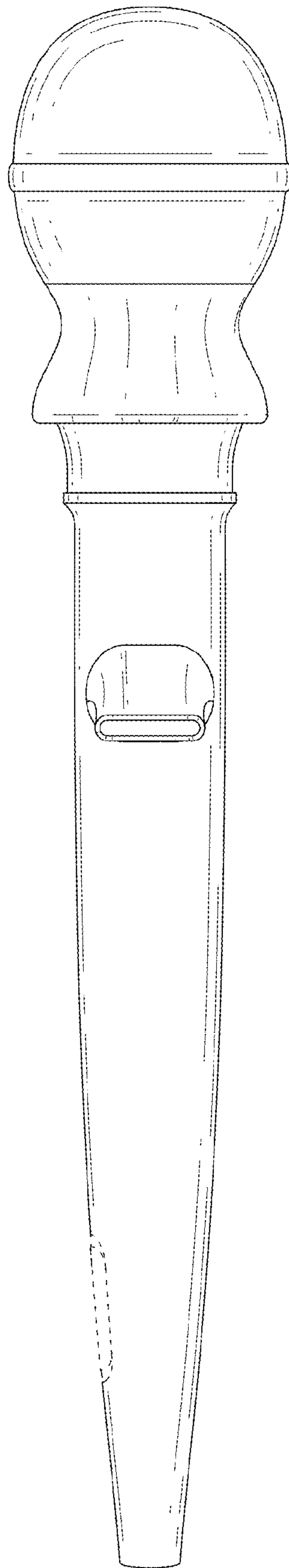


FIG. 3

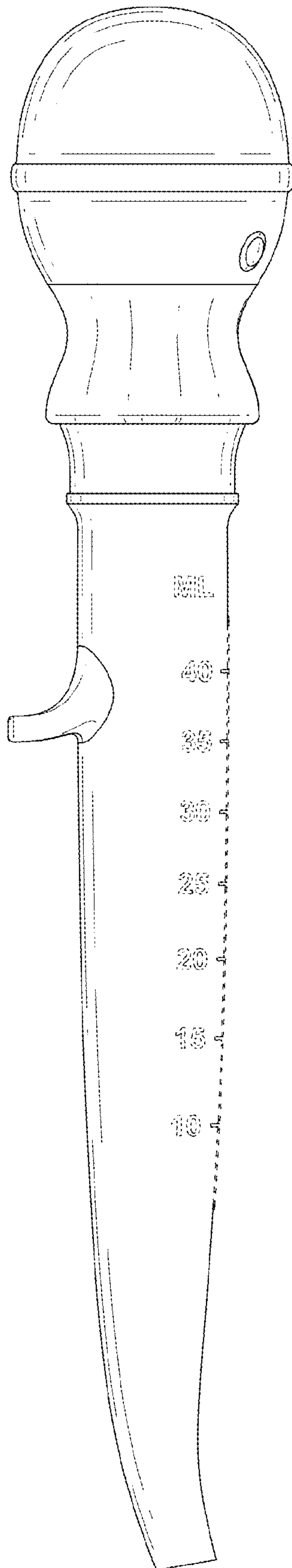


FIG. 4

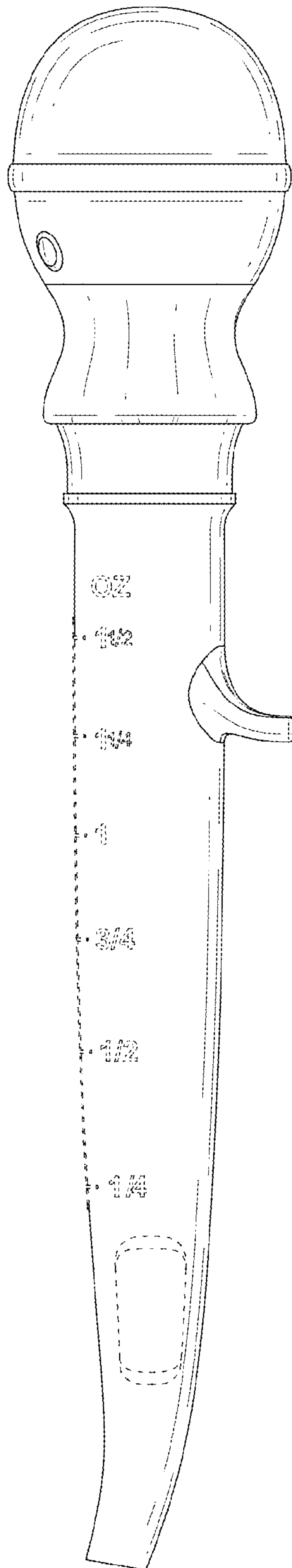


FIG. 5

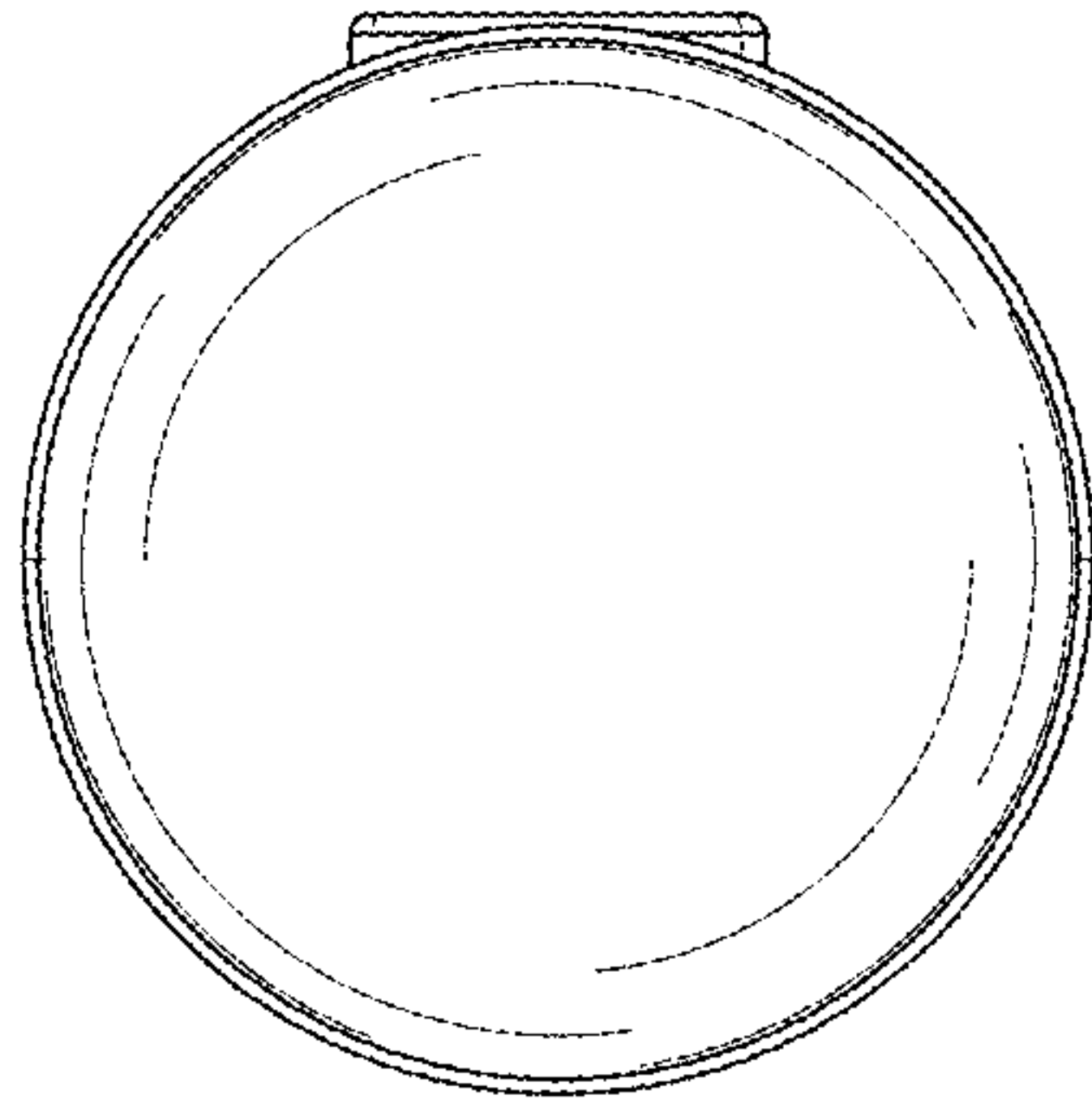


FIG. 6

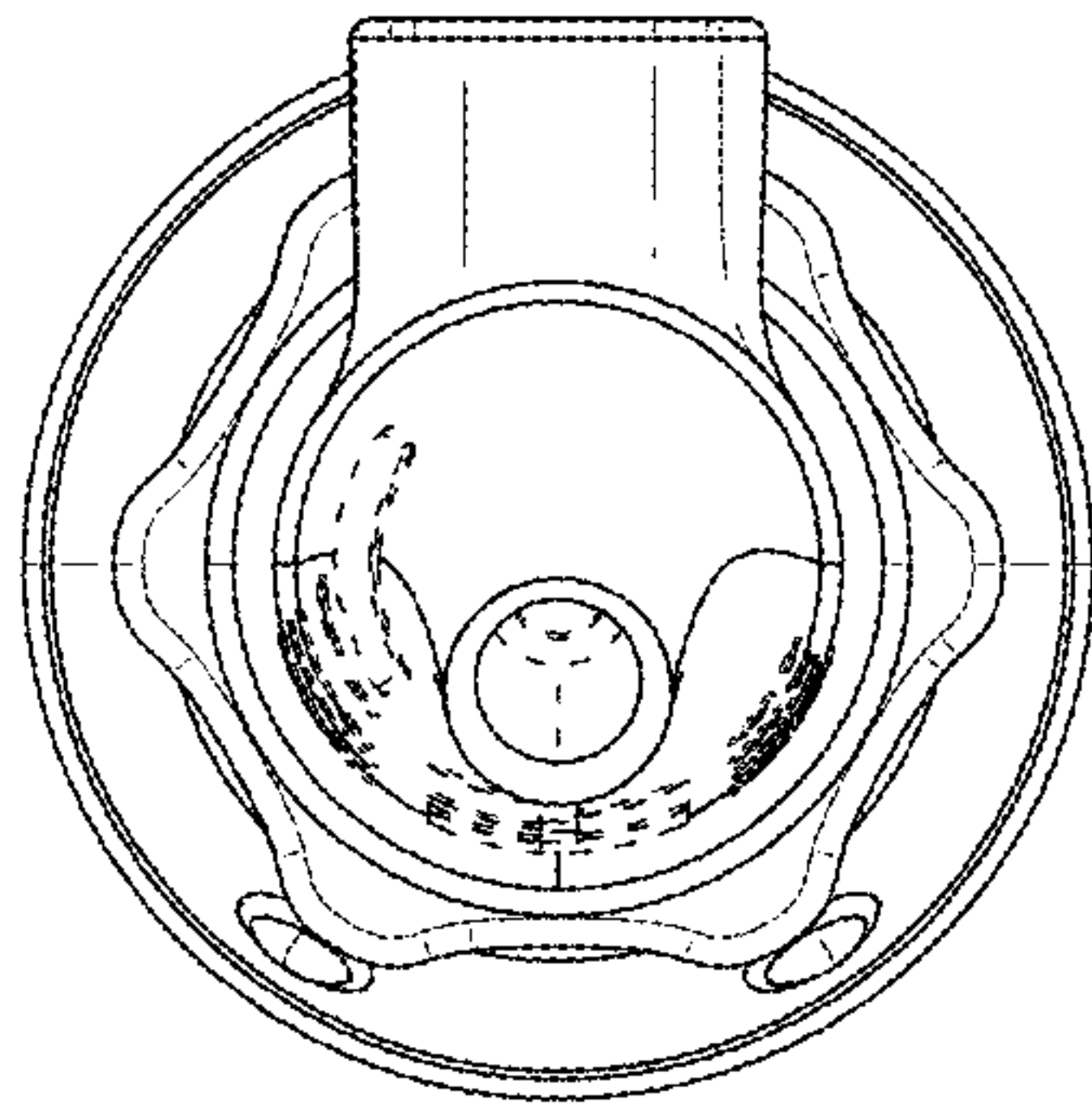


FIG. 7