

US00D964815S

(12) **United States Design Patent** (10) **Patent No.:** **US D964,815 S**  
**Luo** (45) **Date of Patent:** **\*\* Sep. 27, 2022**

(54) **DRINK CUP HOLDER**  
(71) Applicant: **Yunxian Luo**, Shangyu (CN)  
(72) Inventor: **Yunxian Luo**, Shangyu (CN)  
(\*\*) Term: **15 Years**

D429,969 S \* 8/2000 Frankel ..... D7/620  
D470,365 S \* 2/2003 Kautzky ..... D17/22  
D470,727 S \* 2/2003 Bartley ..... D7/620  
D476,860 S \* 7/2003 Groendyke ..... D7/620  
D587,540 S \* 3/2009 Klump ..... D7/701  
D588,873 S \* 3/2009 Schietecatte ..... D7/620  
D618,074 S \* 6/2010 Paetsch ..... D7/701  
D777,020 S \* 1/2017 Zlatic ..... D8/394

(Continued)

(21) Appl. No.: **29/754,853**

(22) Filed: **Oct. 15, 2020**

(51) **LOC (13) Cl.** ..... **07-09**

(52) **U.S. Cl.**  
USPC ..... **D7/620**

(58) **Field of Classification Search**  
USPC .... D3/202, 229; D7/300, 387, 392.1, 396.2,  
D7/397, 509, 511, 600.1, 602, 605, 606,  
D7/607, 608, 619.1, 619.2, 620, 622,  
D7/624.1, 624.2, 625, 701; D9/434, 435,  
D9/444, 443, 455, 500, 504, 516, 537,  
D9/711, 752; D12/114, 133, 223, 411,  
D12/419, 420; D24/127, 128, 197, 199,  
D24/227

CPC ..... A47G 19/2288; A47G 2023/0275; A47G  
23/02; A47G 23/0216; A47G 23/0266;  
B65B 5/04; B65B 17/28; B65B 17/32;  
B65B 17/4012; B65B 2517/0098; B65B  
51/20; B65B 21/083; B65B 81/3879;  
B65B 81/3881

See application file for complete search history.

(56) **References Cited**

**U.S. PATENT DOCUMENTS**

3,269,683 A \* 8/1966 Shinaver ..... A63B 55/60  
248/210  
D338,176 S \* 8/1993 Fedel ..... D12/114  
D369,526 S \* 5/1996 Colton ..... D7/620  
D377,886 S \* 2/1997 Colton ..... D7/620  
D381,392 S \* 7/1997 Darling ..... D22/148  
5,915,561 A \* 6/1999 Lorenzana ..... A47G 23/0608  
206/562

**OTHER PUBLICATIONS**

Ammsun Beach Umbrella Cup Holder, Amazon.com, First available date: Apr. 17, 2021. Retrieved from the internet Jun. 29, 2022<URL: <https://www.amazon.com/AMMSUN-Umbrella-Swimming-Holders-Bottles/dp/B08T5V5441/> (Year: 2021).\*

*Primary Examiner* — Joseph Kukella  
*Assistant Examiner* — Darryl J Dardenne

(57) **CLAIM**

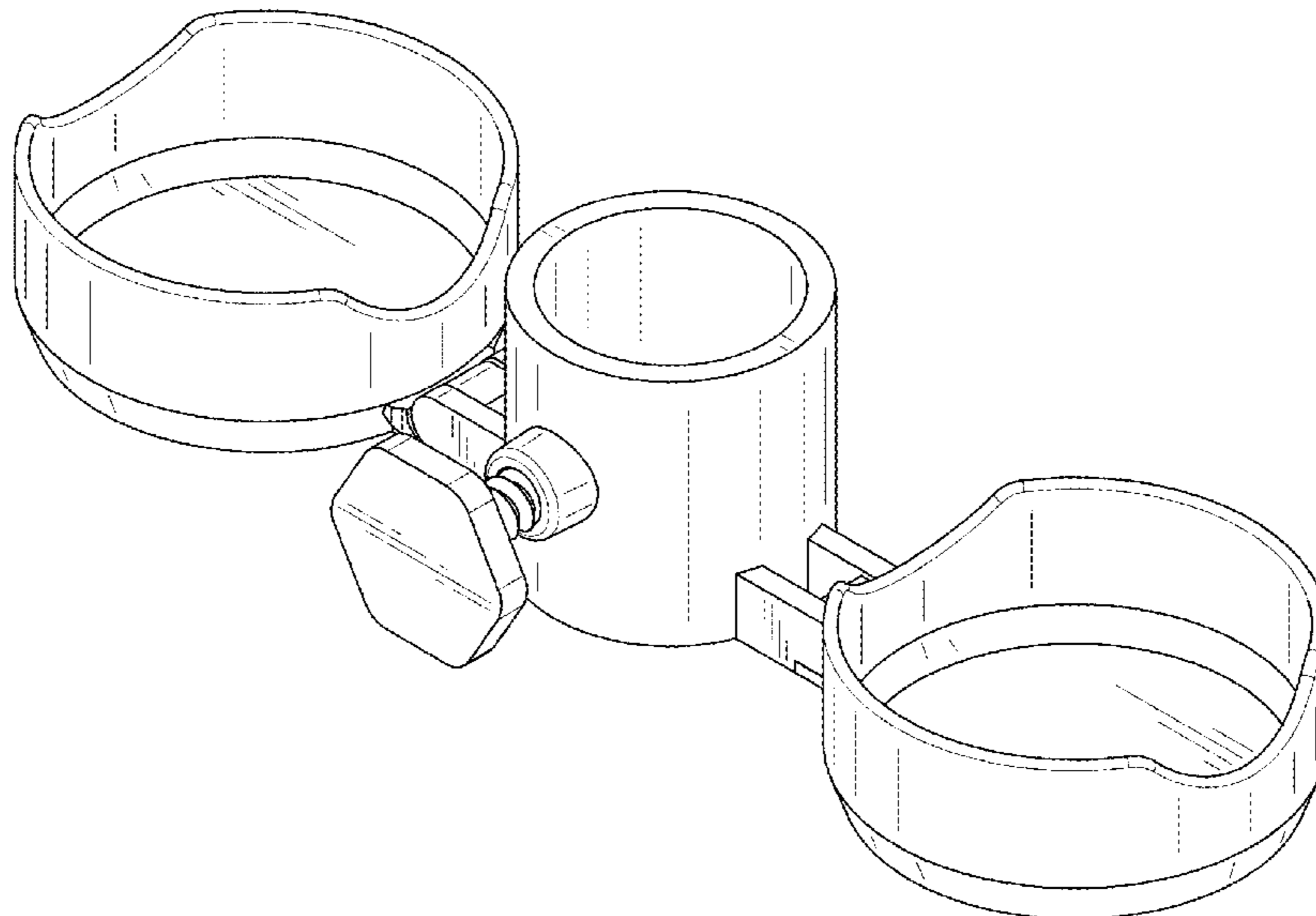
The ornamental design for a drink cup holder, as shown and described.

**DESCRIPTION**

FIG. 1 is a front, right side, top perspective view of a drink cup holder showing my new design;  
FIG. 2 is a rear, right side, bottom perspective view thereof;  
FIG. 3 is a front elevational view thereof;  
FIG. 4 is a rear side elevational view thereof;  
FIG. 5 is a left side elevational view thereof;  
FIG. 6 is a right side elevational view thereof;  
FIG. 7 is a top plan view thereof;  
FIG. 8 is a bottom plan view thereof; and,  
FIG. 9 is a front, right side, perspective view thereof showing the two cupholders in their folded-up storage positions relative to the main body structure of the drink cup holder.

The broken lines depict portions of the drink cup holder that form no part of the claimed design.

**1 Claim, 8 Drawing Sheets**



(56)

**References Cited**

U.S. PATENT DOCUMENTS

D812,440 S *	3/2018	Selvaggio	.....	D7/708.1
D823,654 S *	7/2018	Harris	.....	D7/707
D824,226 S *	7/2018	Brod	.....	D7/701
D824,736 S *	8/2018	Yang	.....	D7/707
D837,002 S *	1/2019	Nichols	.....	D7/620
D837,613 S *	1/2019	Nichols	.....	D7/620
D875,855 S *	2/2020	Sandoval	.....	D21/691
D949,636 S *	4/2022	Pan	.....	D7/620
D953,964 S *	6/2022	Zhang	.....	D12/411

\* cited by examiner

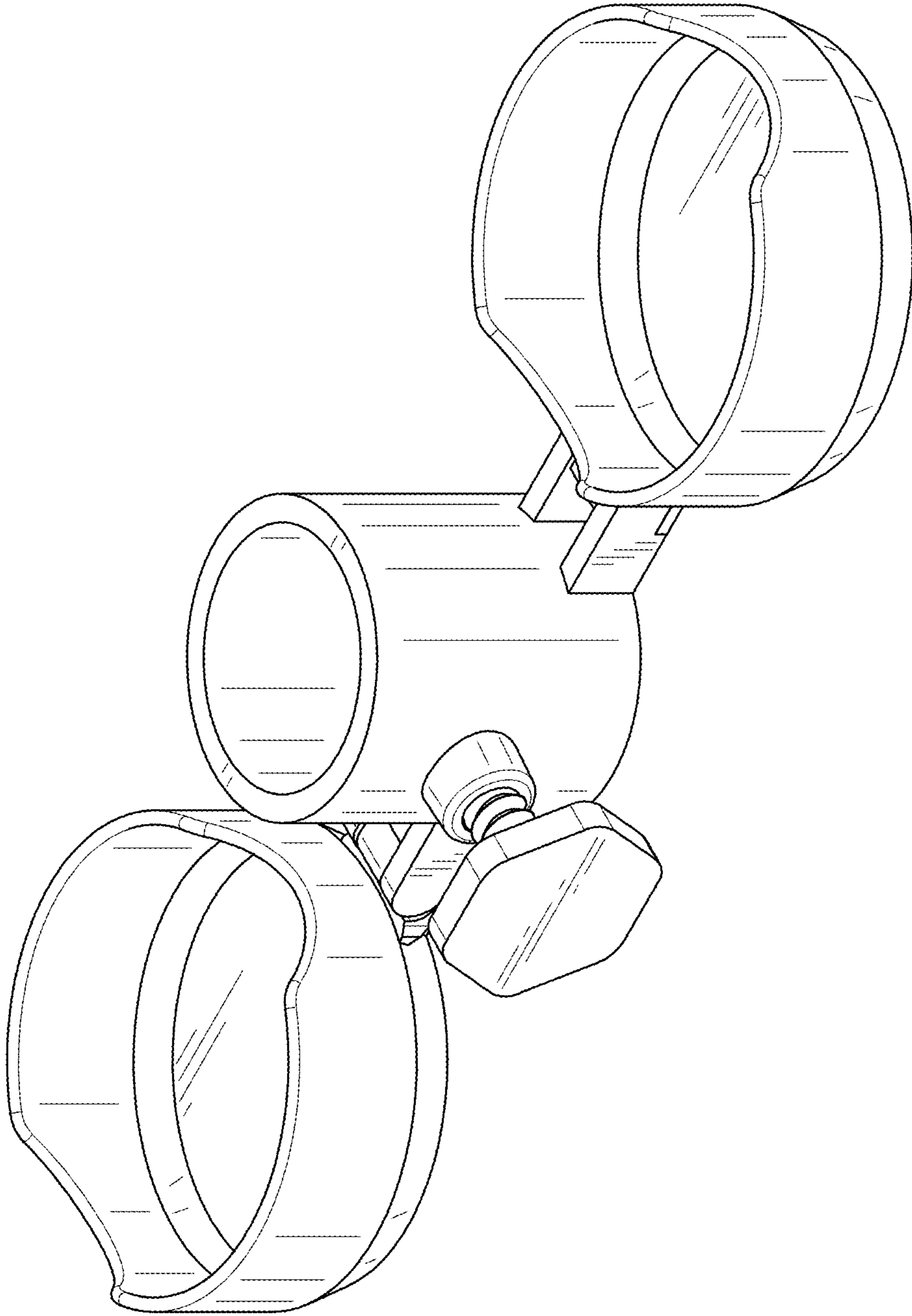


FIG.1

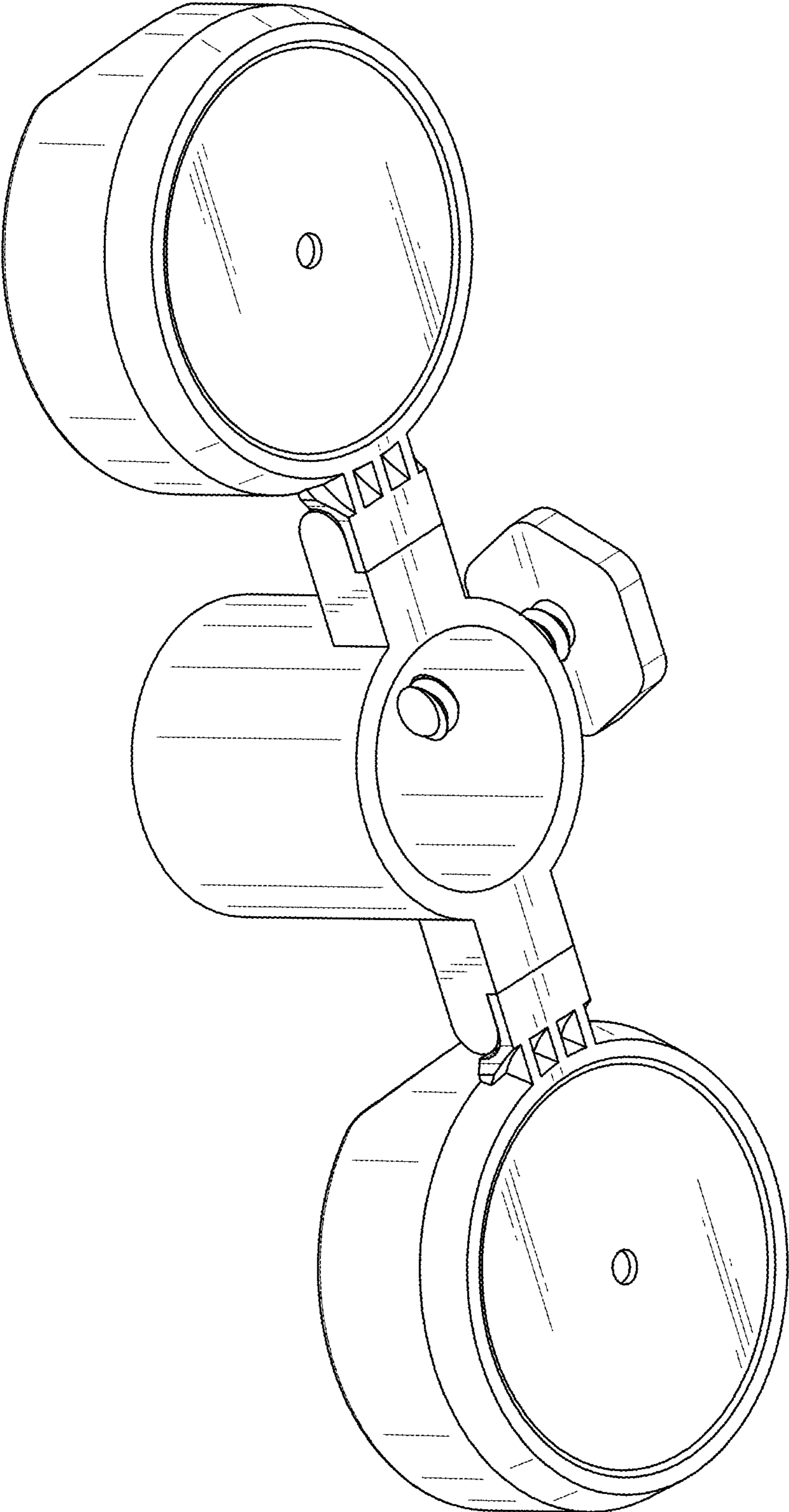


FIG.2

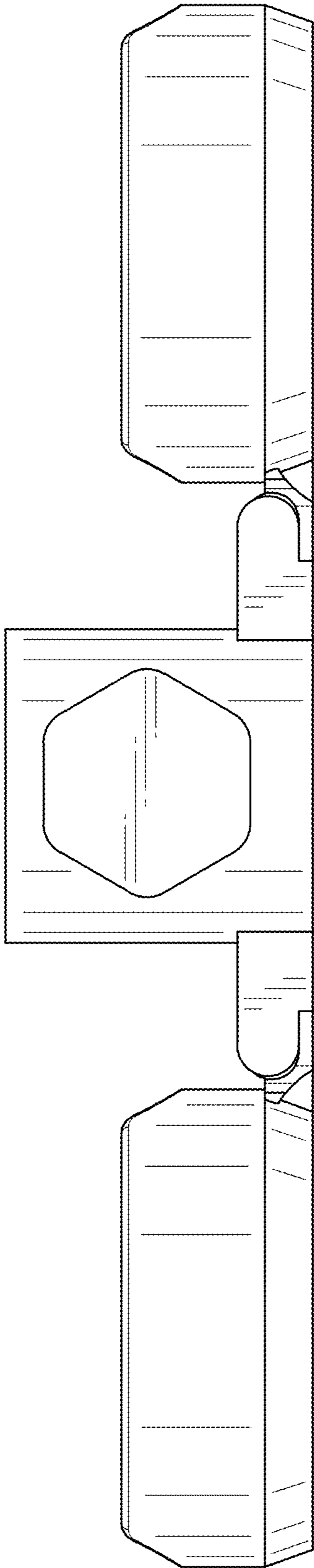


FIG.3

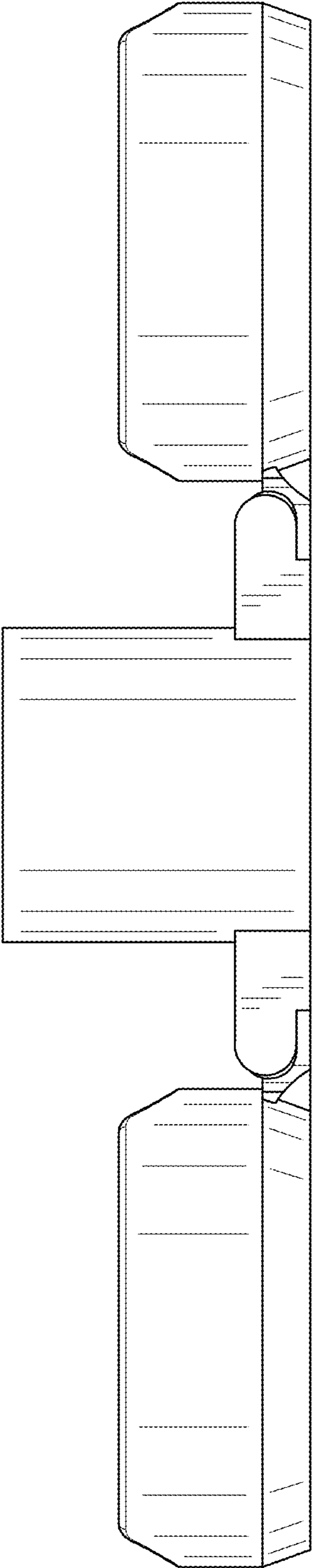


FIG. 4



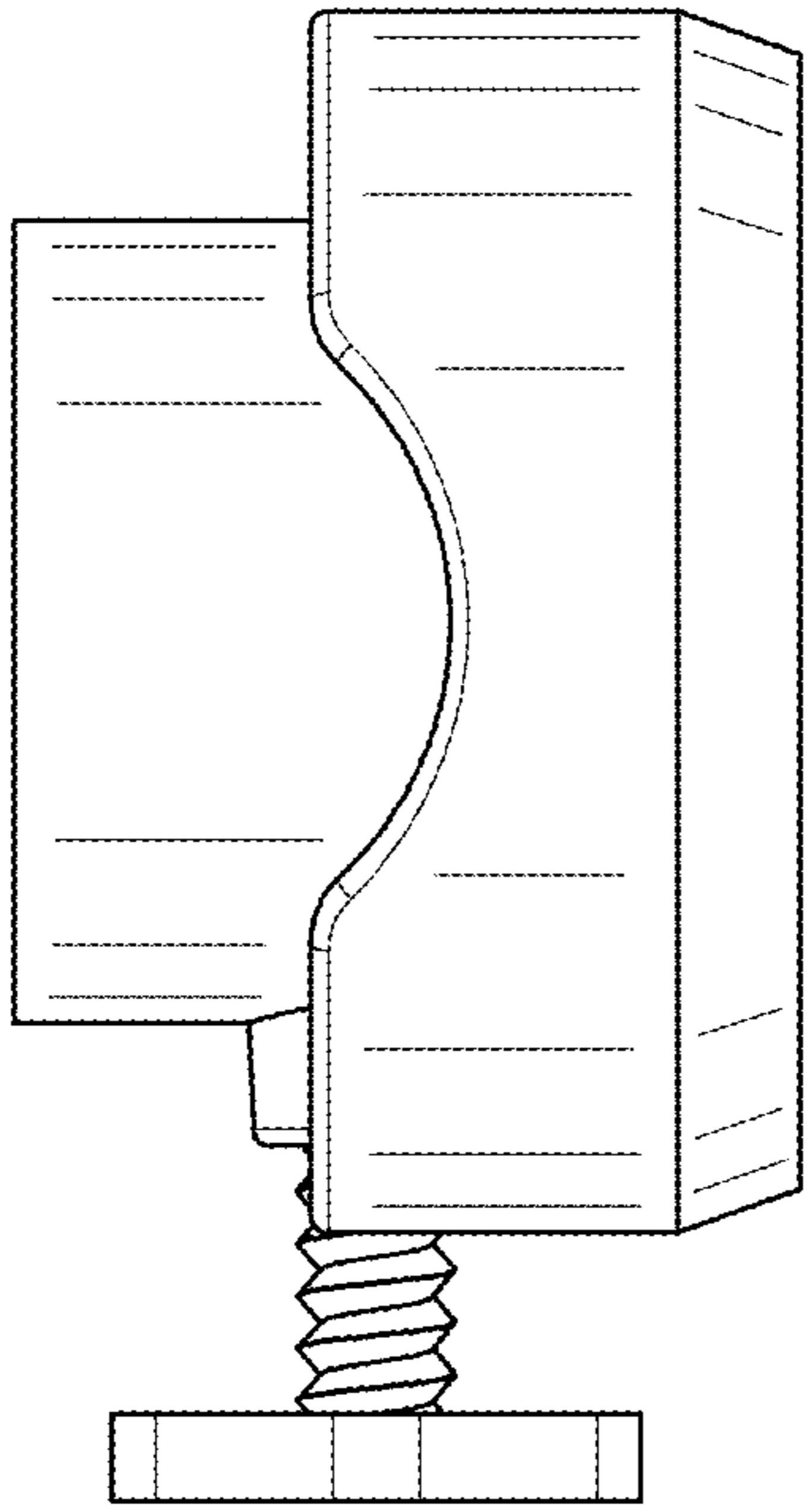


FIG. 5

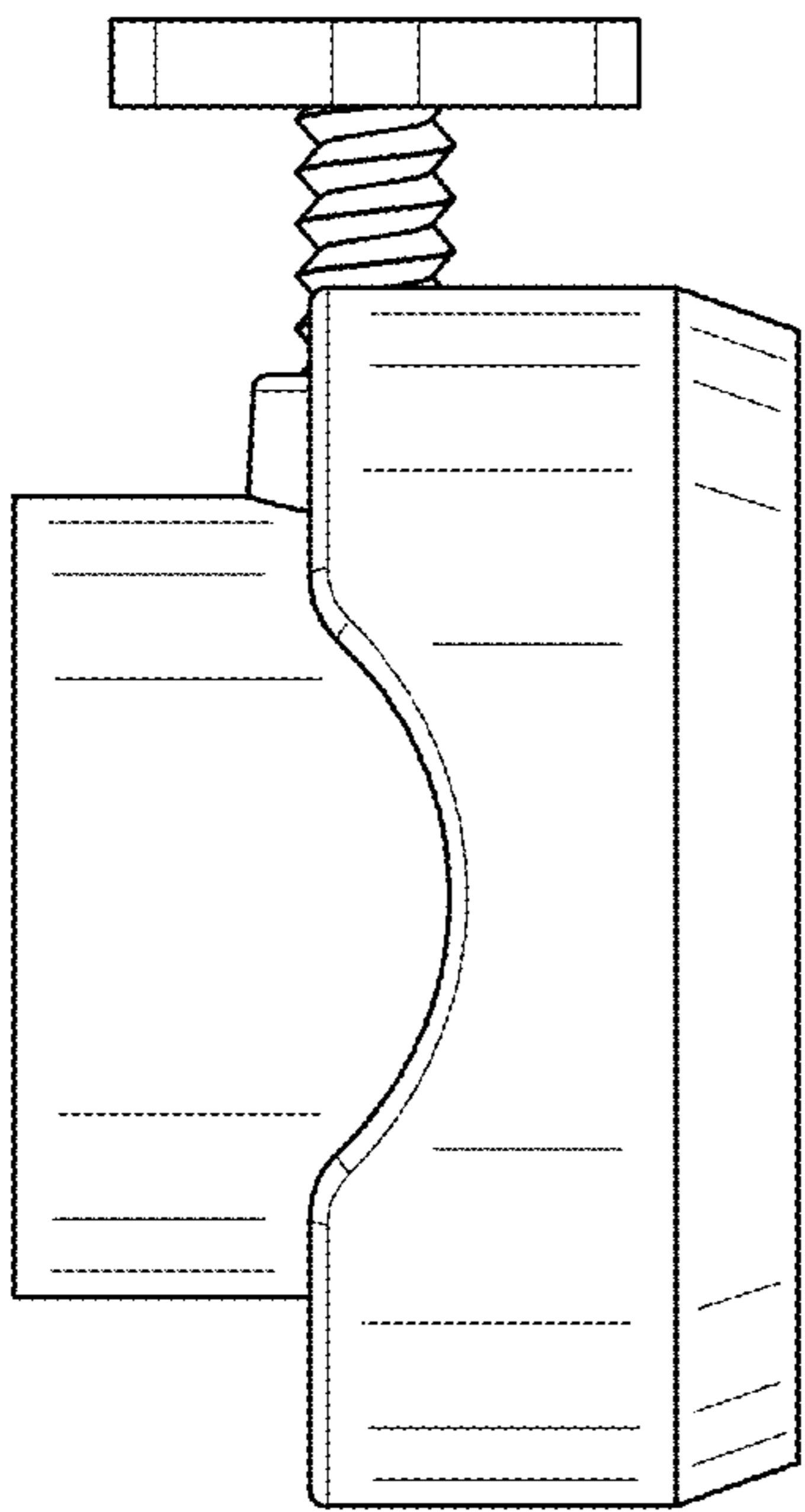


FIG. 6

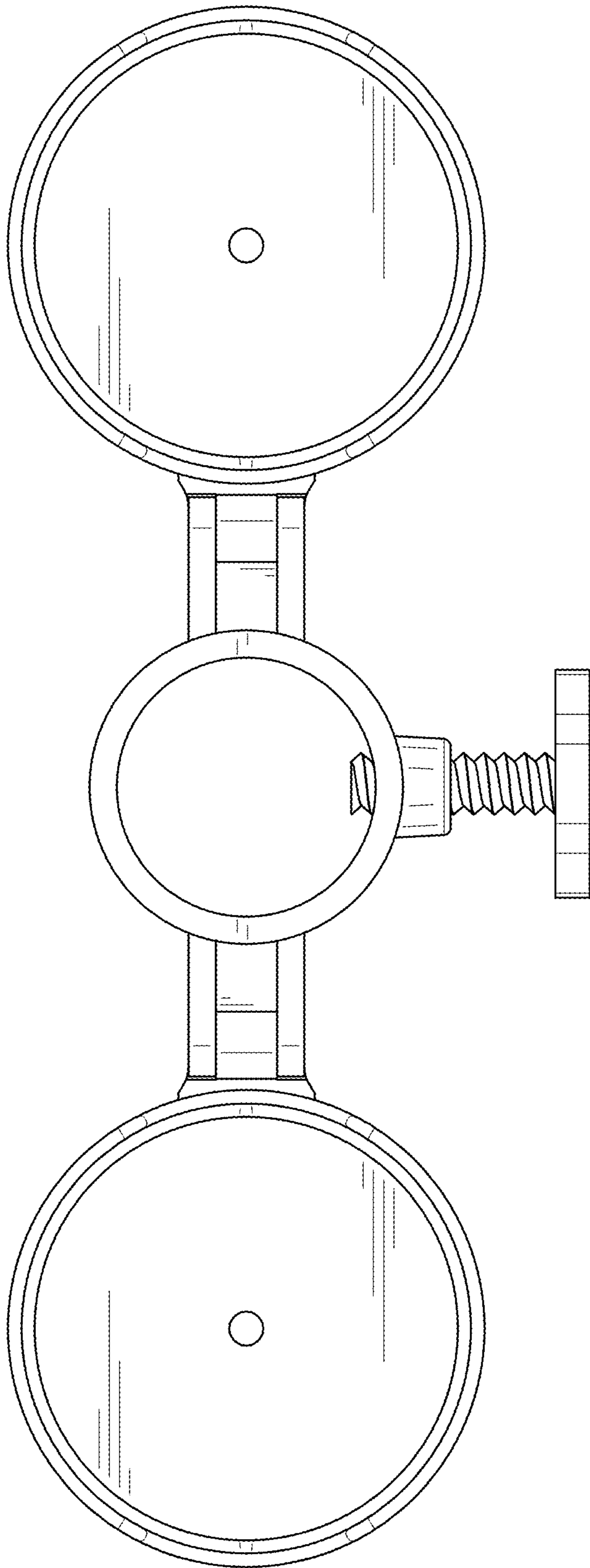


FIG. 7



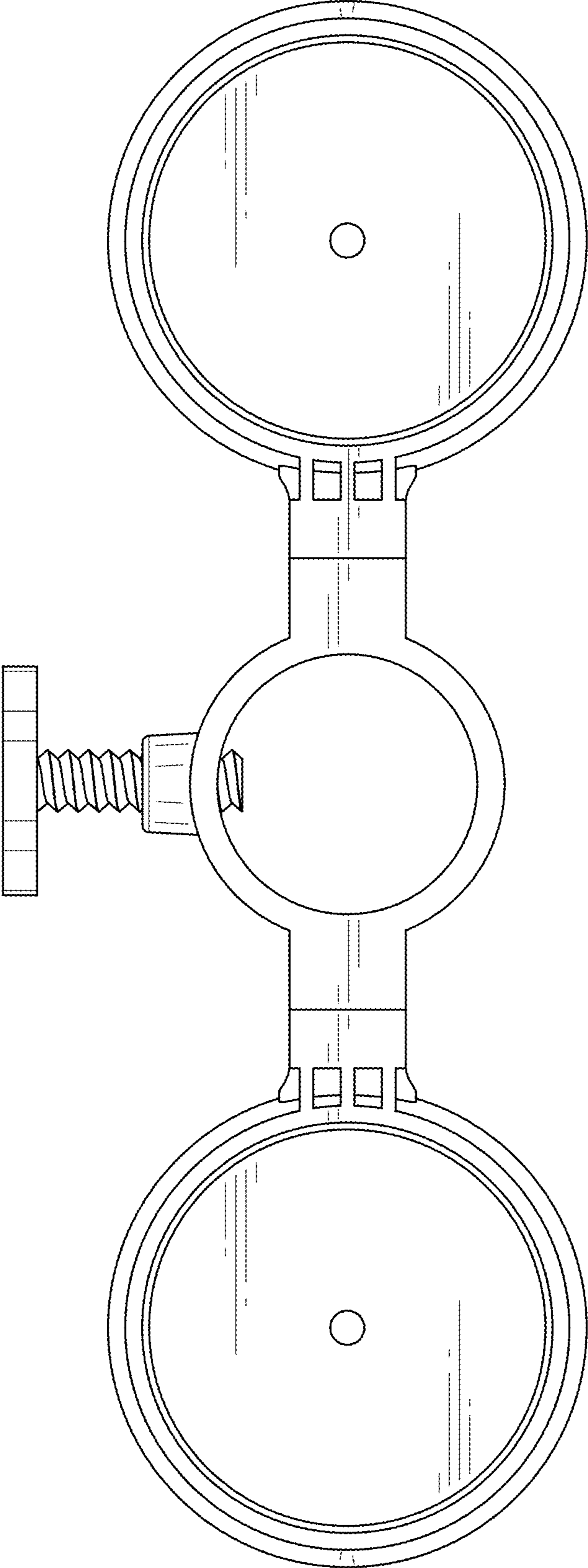


FIG. 8

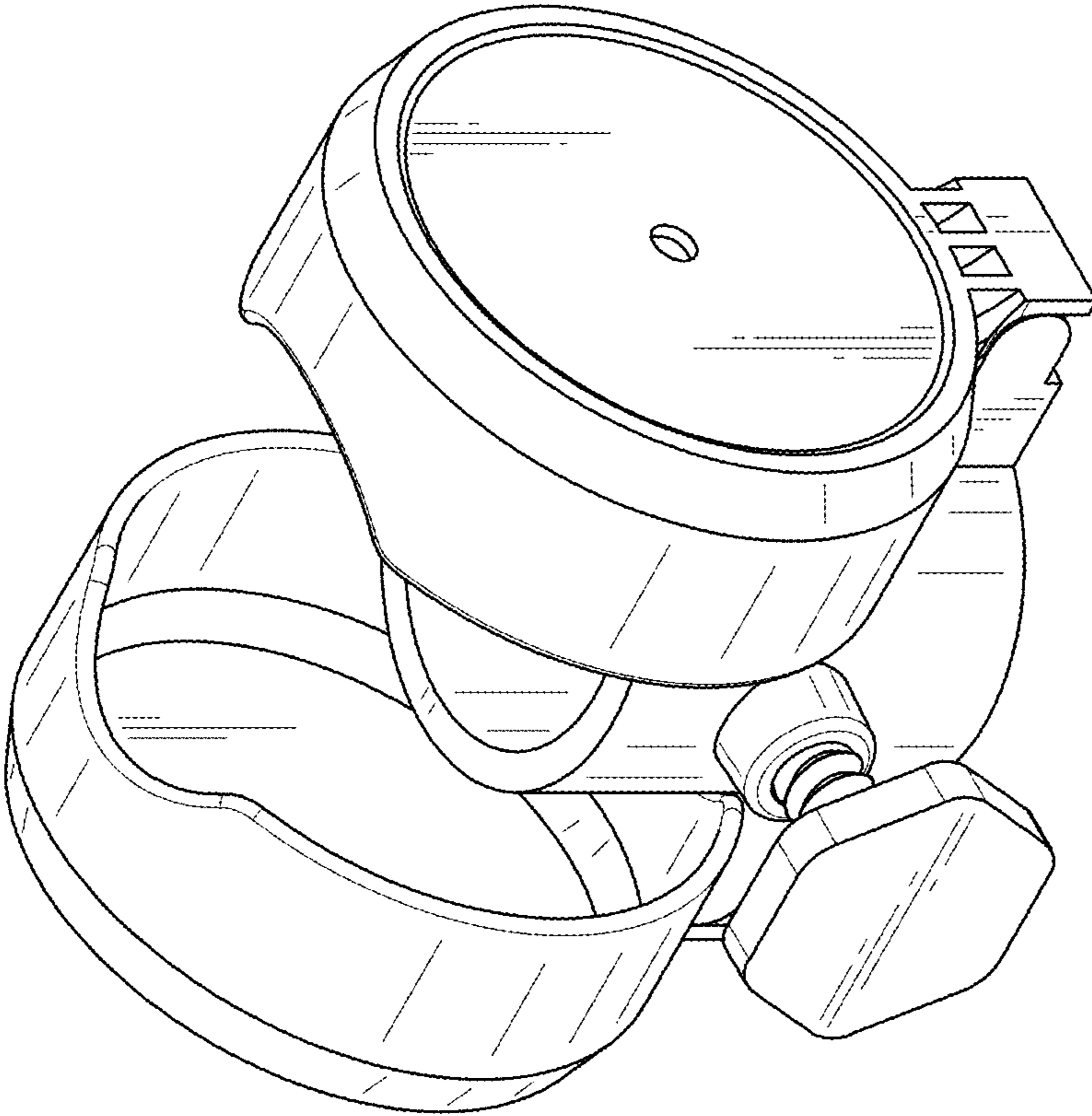


FIG. 9