



US00D964813S

(12) **United States Design Patent**
Chen

(10) **Patent No.:** **US D964,813 S**

(45) **Date of Patent:** **** Sep. 27, 2022**

(54) **VACUUM BOTTLE**

(71) Applicant: **Shenzhen Xinyuecheng Technology Co., Ltd.**, Shenzhen (CN)

(72) Inventor: **Jianrong Chen**, Hunan (CN)

(**) Term: **15 Years**

(21) Appl. No.: **29/765,782**

(22) Filed: **Jan. 12, 2021**

(30) **Foreign Application Priority Data**

Dec. 21, 2020 (EM) 008353759-0003

(51) **LOC (13) Cl.** **07-01**

(52) **U.S. Cl.**

USPC **D7/608**; D7/511; D7/536; D7/624.2

(58) **Field of Classification Search**

USPC D3/202; D7/300, 300.1, 392.1, 396.2, D7/415, 507, 509-511, 530, 533, 536, D7/538, 542, 543, 545, 547, 548, 586, D7/587, 591, 600, 608, 622, 624.1, 624.2, D7/624.3, 667; D9/504, 524, 531, 532, D9/540, 543

CPC A47G 19/2205; A47G 19/2266; A47G 19/2288; A47G 2200/106; A47G 23/0241; A45F 2003/163; A47J 27/21008; A47J 31/605; A47J 41/0044; A47J 41/005; A47J 41/02; A47J 41/024; B65D 1/40; B65D 11/04; B65D 11/1866; B65D 23/00; B65D 23/10; B65D 23/102; B65D 39/16; B65D 51/242; B65D 81/18; B65D 81/2038; B65D 81/2076; B65D 81/3841; B67D 2210/0001; B67D 2210/0002

See application file for complete search history.

(56) **References Cited**

U.S. PATENT DOCUMENTS

D371,936 S * 7/1996 Goto D7/509
D379,714 S * 6/1997 Cerny D3/264

D656,365 S * 3/2012 Bickert D7/624.2
8,985,377 B2 * 3/2015 Lane A47J 31/0636
206/5
D741,655 S * 10/2015 Whelan D7/300.1
D744,781 S * 12/2015 Rummel D7/511
D748,477 S * 2/2016 Herbst A45F 3/16
D7/392.1

(Continued)

FOREIGN PATENT DOCUMENTS

CN 304339181 * 11/2017
EM 008353759-0003 * 12/2020

(Continued)

OTHER PUBLICATIONS

Shenzhen Xinyuecheng Technology Co., Ltd., "Gosoit UV Water Filter Purifier Bottle," Accessed May 2, 2022, Made-in-China, <https://xinyuecheng.en.made-in-china.com/product/MwnfOYdITZXWQ/China-Gosoit-Sports-Water-Filter-Bottle-BPA-Free-Ultra-Filtration-Water-Purifier.html> (Year: 2022).*

Primary Examiner — Joseph Kukella
Assistant Examiner — Arva P Adams

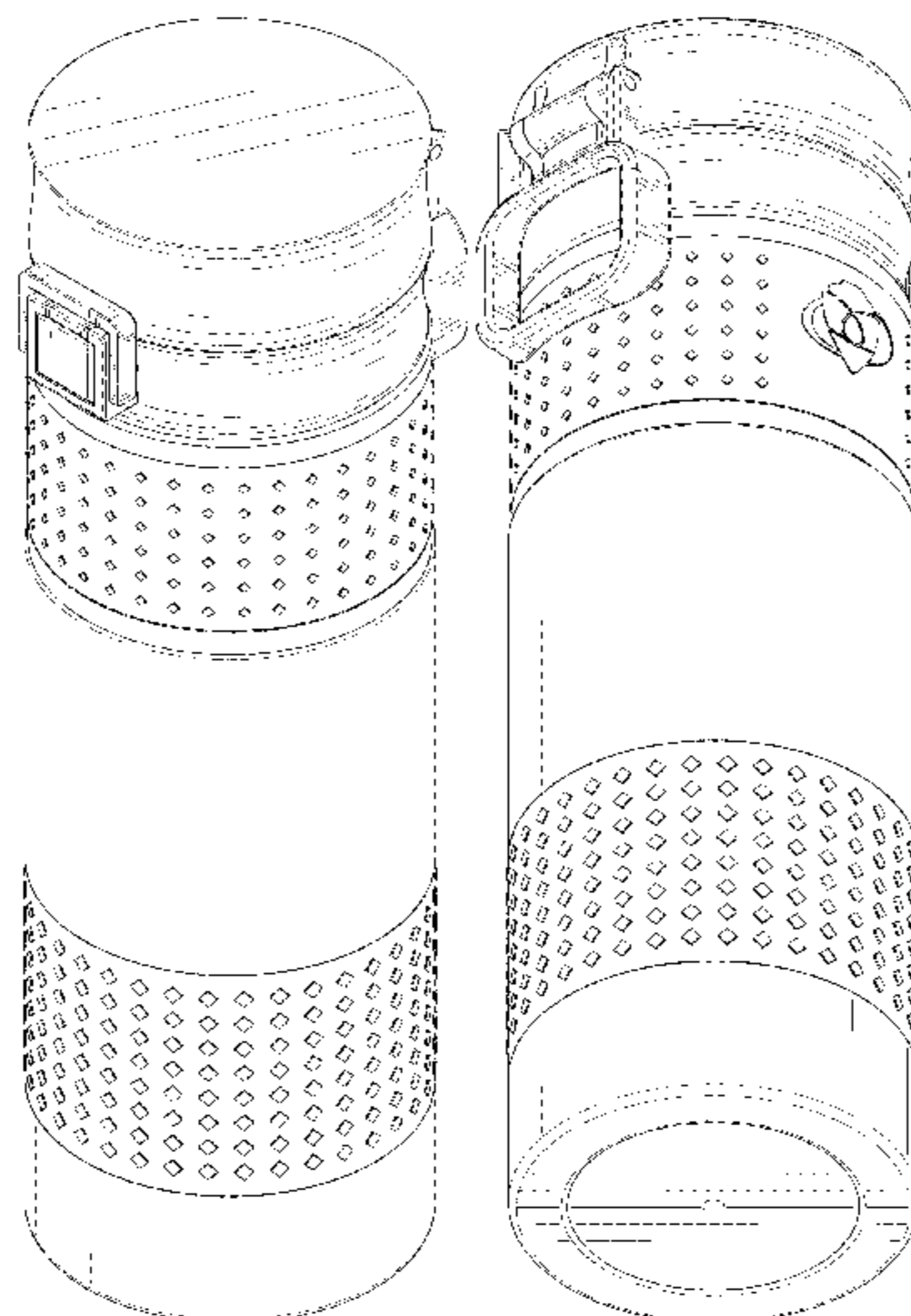
(57) **CLAIM**

The ornamental design for a vacuum bottle, as shown and described.

DESCRIPTION

FIG. 1 is a front and top perspective view of a vacuum bottle, showing my new design;
FIG. 2 is a rear and bottom perspective view thereof;
FIG. 3 is a front elevation view thereof;
FIG. 4 is a rear elevation view thereof;
FIG. 5 is a left side elevation view thereof;
FIG. 6 is a right side elevation view thereof;
FIG. 7 is a top plan view thereof; and,
FIG. 8 is a bottom plan view thereof.
The broken lines in the figures illustrate portions of the article that form no part of the claimed design.

1 Claim, 8 Drawing Sheets



(56)

References Cited

U.S. PATENT DOCUMENTS

D754,485 S * 4/2016 Lapsker D7/532
D772,652 S * 11/2016 Yao D7/510
D774,911 S * 12/2016 Herbst D7/396.4
D794,453 S * 8/2017 Boroski D9/449
D798,665 S * 10/2017 Rummel D9/504
D801,111 S * 10/2017 Eyal D9/449
D821,146 S * 6/2018 Steinmann D7/510
D822,427 S * 7/2018 Sorensen D7/392.1
D831,434 S * 10/2018 Washburn D7/509
D845,073 S * 4/2019 Liu D7/532
D893,261 S * 8/2020 Lown D7/396.1
D896,573 S * 9/2020 Wu D7/392.1
2017/0057691 A1 * 3/2017 Clark A45F 3/16

FOREIGN PATENT DOCUMENTS

GB 9008353759-0003 * 12/2020
KR 300942968.0000 * 2/2018

* cited by examiner

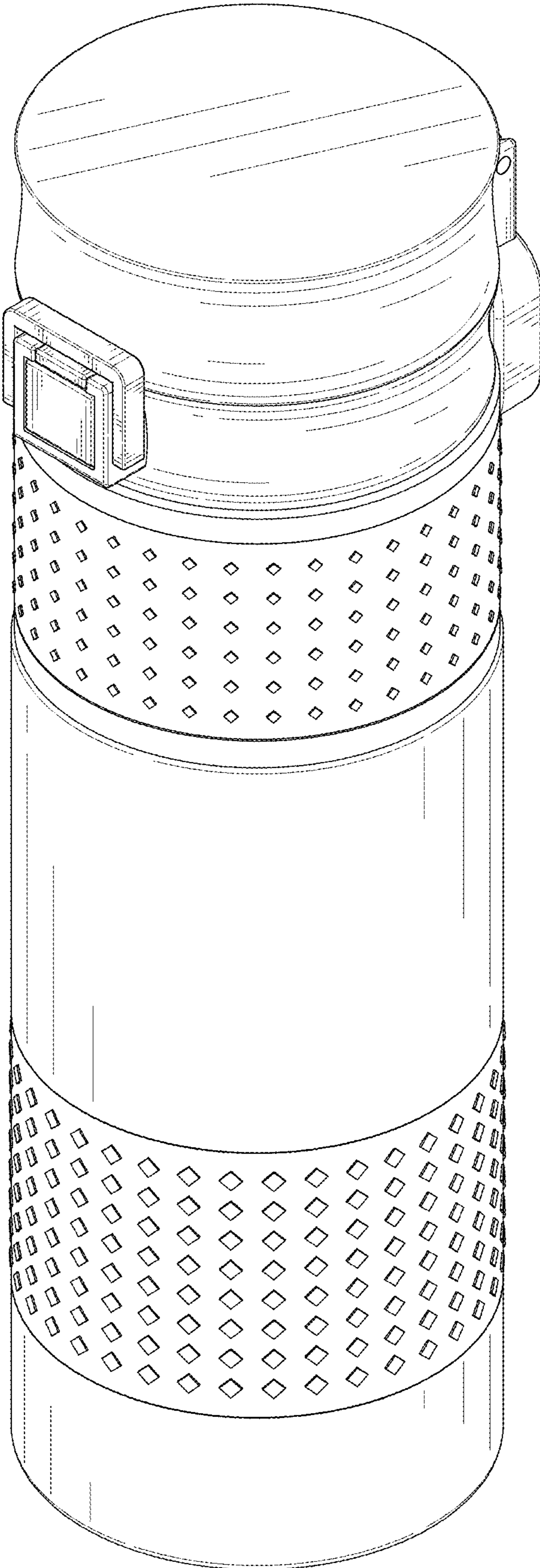


FIG. 1

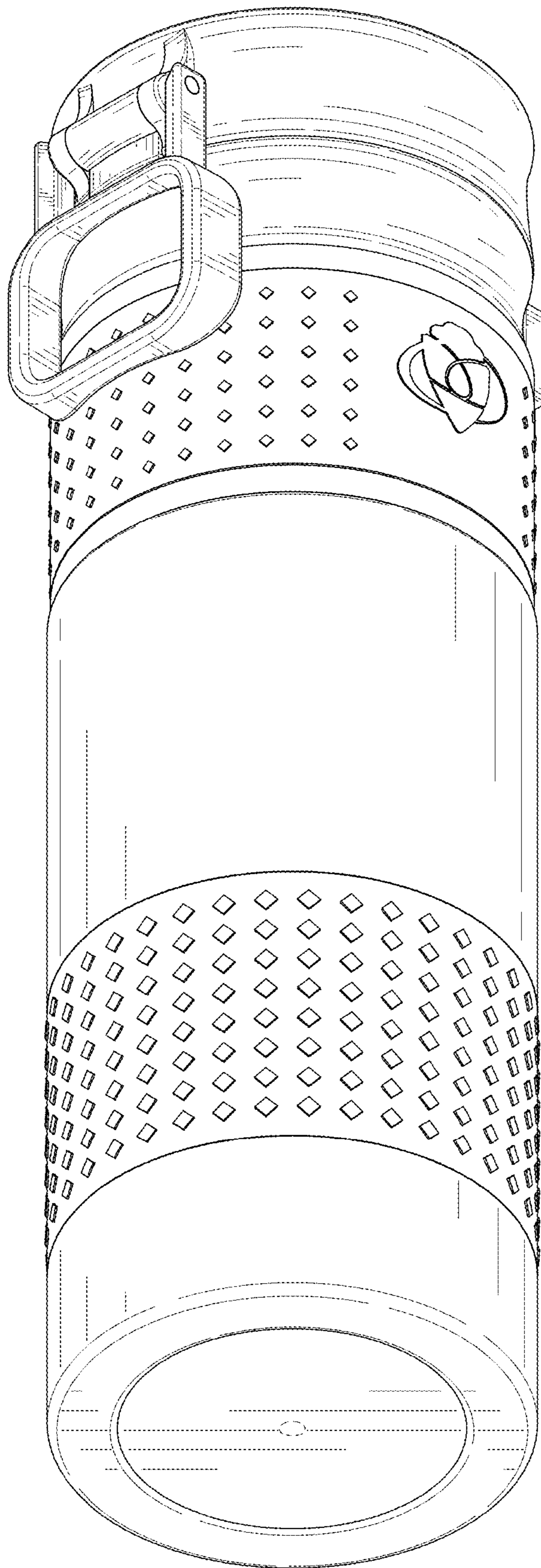


FIG. 2

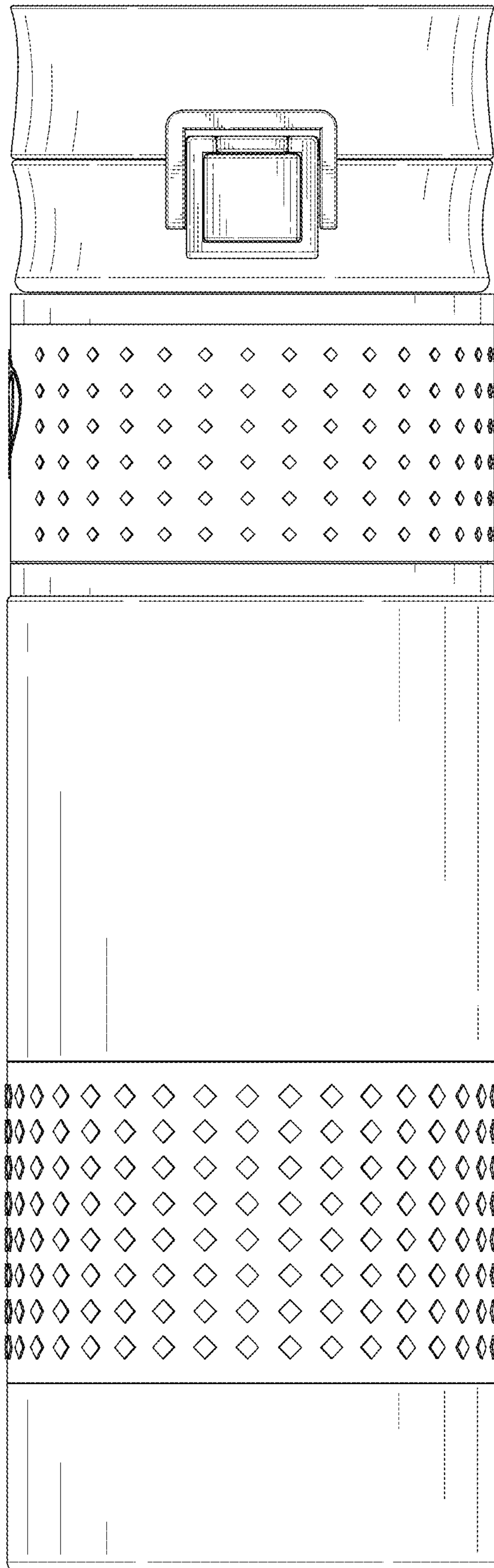


FIG. 3

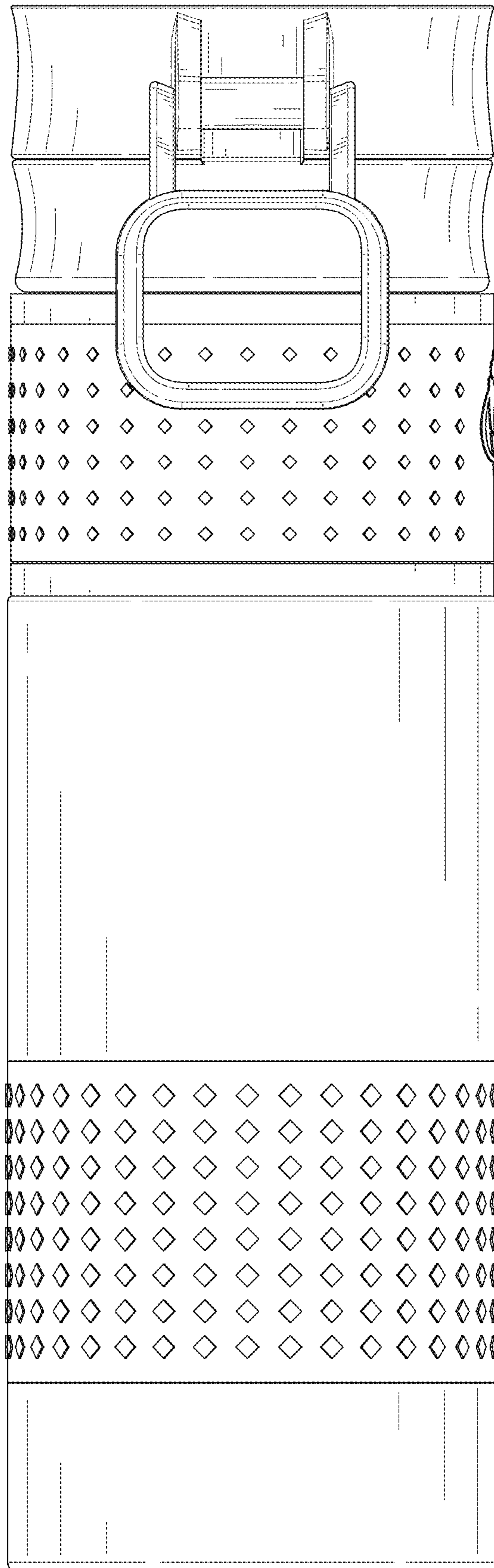


FIG. 4

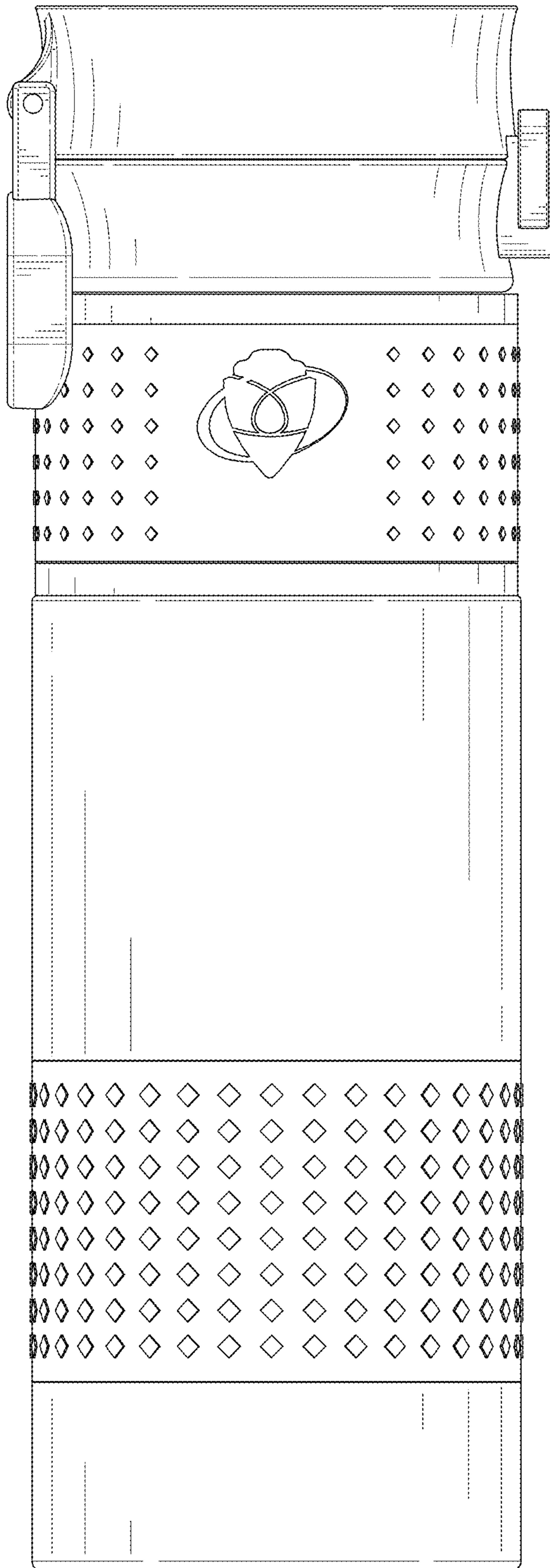


FIG. 5

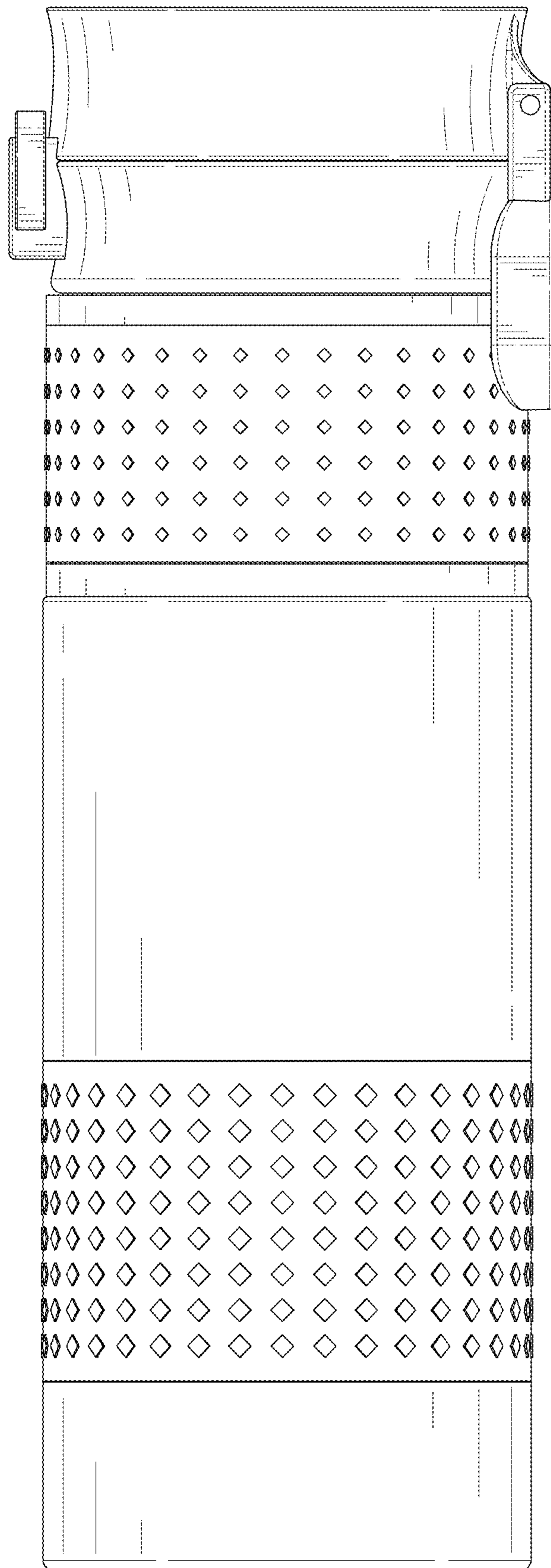


FIG. 6

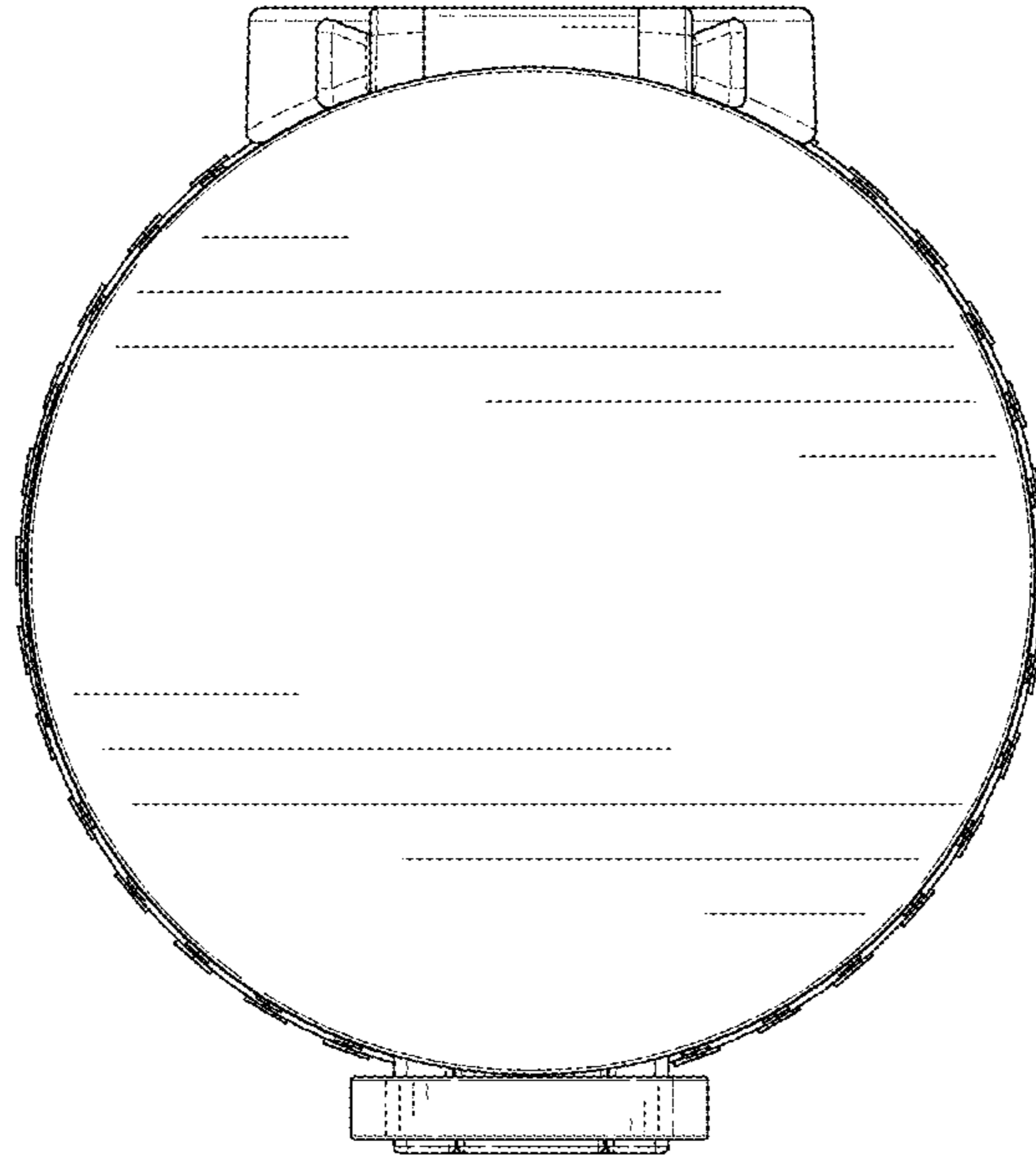


FIG. 7

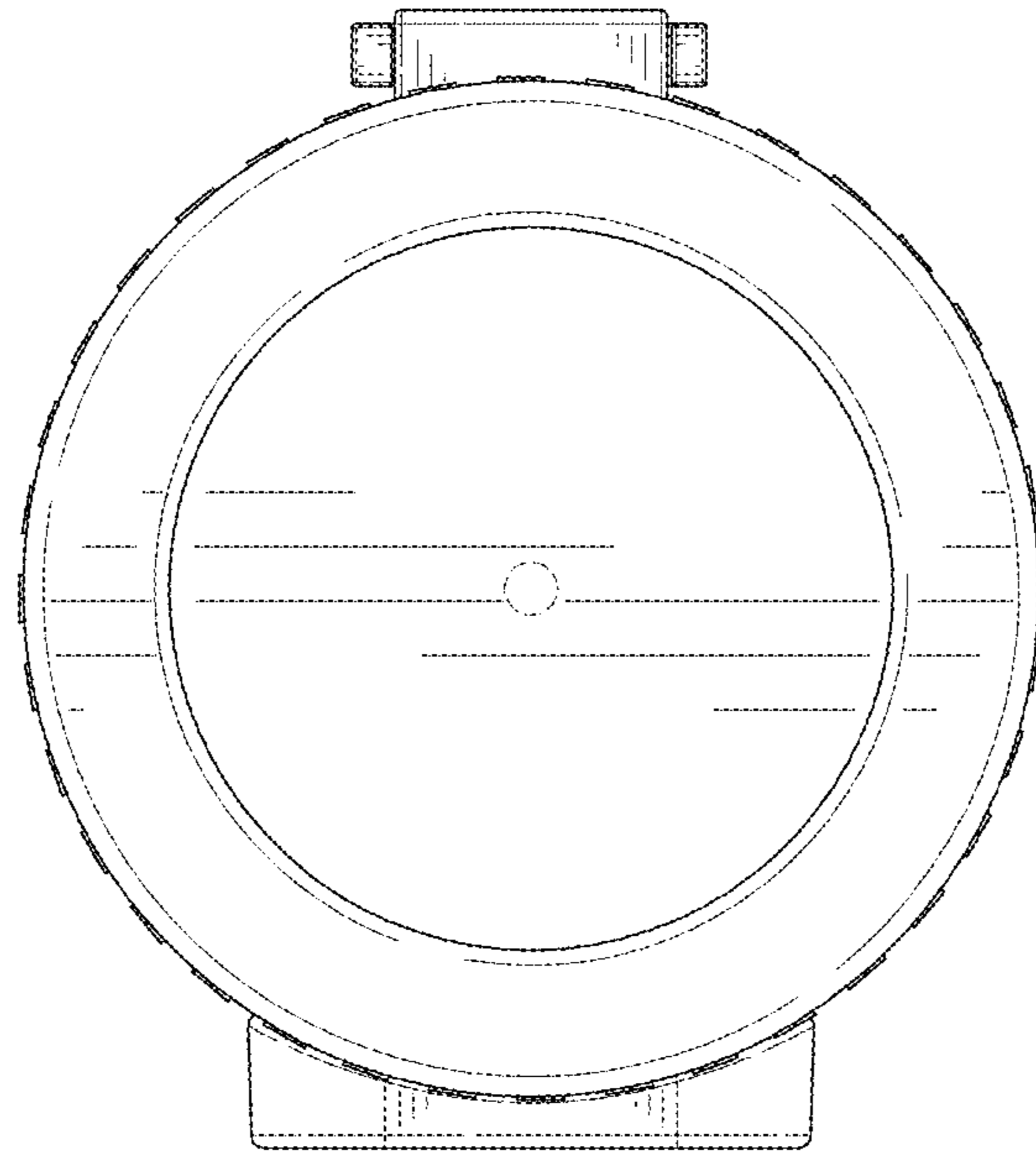


FIG. 8