



US00D964812S

(12) **United States Design Patent**
Zhong

(10) **Patent No.:** **US D964,812 S**
(45) **Date of Patent:** **** Sep. 27, 2022**

(54) **TRAY FOR COFFEE CAPSULES**
(71) Applicant: **XIAMEN LEGENDA ELECTRONIC TECHNOLOGY COMPANY LIMITED**, Xiamen (CN)
(72) Inventor: **Wenda Zhong**, Xiamen (CN)
(73) Assignee: **XIAMEN LEGENDA ELECTRONIC TECHNOLOGY COMPANY LIMITED**, Xiamen (CN)

1,759,140 A * 5/1930 Silberger A47J 47/16
211/77
2,281,849 A * 5/1942 McCoppin A47G 23/025
211/77
D160,379 S * 10/1950 Finch D7/611
(Continued)

(**) Term: **15 Years**

FOREIGN PATENT DOCUMENTS

(21) Appl. No.: **29/729,864**

CN 305825837 * 6/2020
CN 306601683 * 6/2021
KR 300636156.0000 * 4/2012

(22) Filed: **Mar. 31, 2020**

OTHER PUBLICATIONS

(30) **Foreign Application Priority Data**

Round Coffee Pod Tower, Lipper, amazon.com, published by Lipper International, date unlisted © 1996-2021 Amazon.com, Inc., online, site visited Aug. 12, 2021. Available at URL: <https://www.amazon.sg/Lipper-International-8674-Swing-Out-Capacity/dp/B00EAQR292> (Year: 2021).*

Jan. 20, 2020 (CN) 202030040709.0

(51) **LOC (13) Cl.** **07-09**

(52) **U.S. Cl.**
USPC **D7/600.1**

(58) **Field of Classification Search**
USPC D7/500-501, 503, 513, 523, 529, 550.1, D7/553.1, 553.6, 584, 596, 600.1-600.2, D7/600.4, 601, 608, 611, 640, 701, 704, D7/707, 546-549, 553.3-553.8, D7/554.1-554.2; D9/757-758, 762; D3/254, 257-258; D28/38, 73; D8/71-74

CPC .. A47F 5/03; A47F 3/10; A47F 5/0037; A47F 1/06; A47F 3/14

See application file for complete search history.

(Continued)

Primary Examiner — Sandra Snapp
Assistant Examiner — Altaira J Swangin
(74) *Attorney, Agent, or Firm* — Bayramoglu Law Offices LLC

(56) **References Cited**

U.S. PATENT DOCUMENTS

D23,901 S * 12/1894 Howe D99/25
855,565 A * 6/1907 Greenhouse B65D 71/72
206/562
D63,253 S * 11/1923 Delarmi D7/611

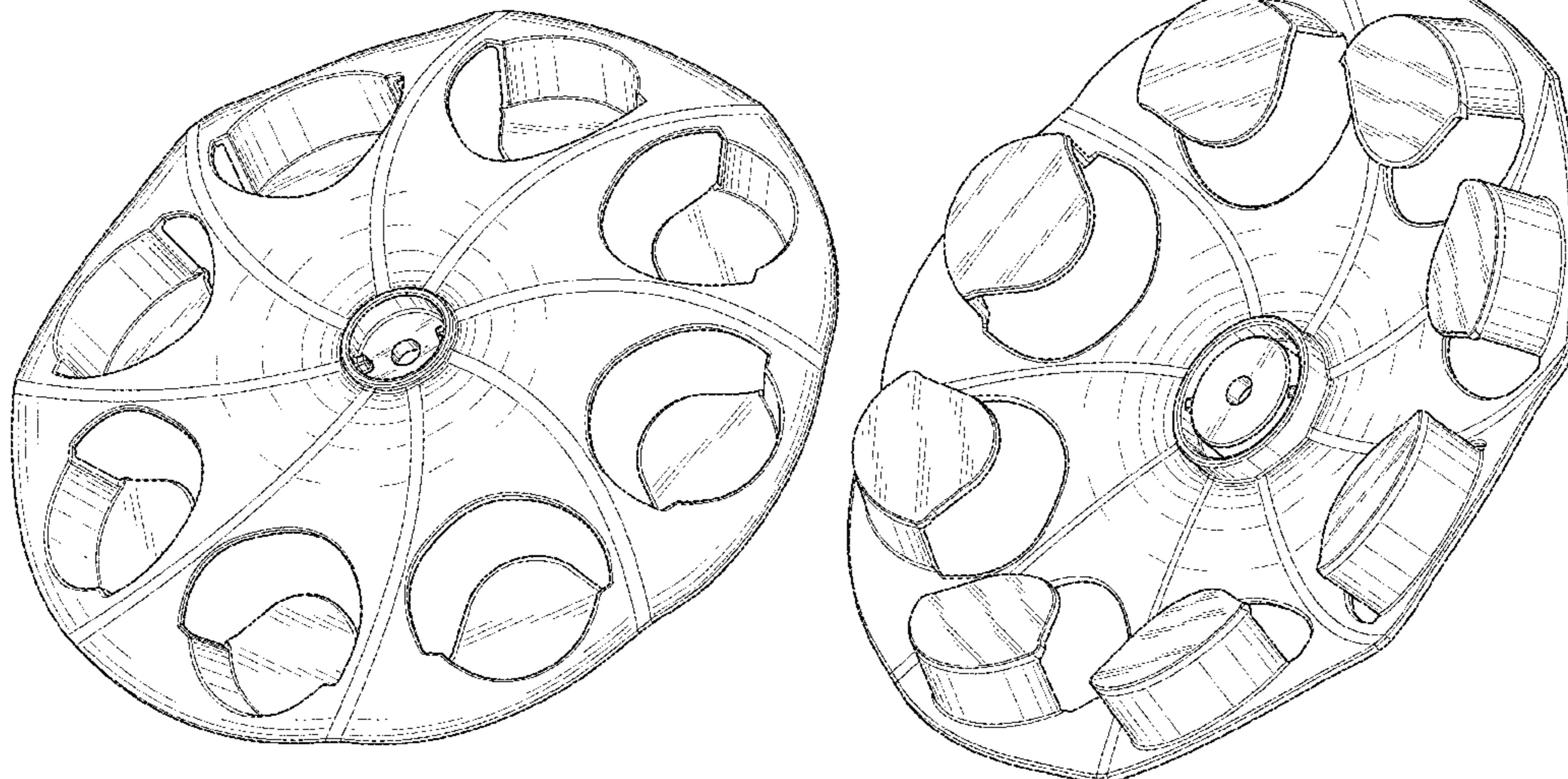
(57) **CLAIM**

The ornamental design for a tray for coffee capsules, as shown and described.

DESCRIPTION

FIG. 1 is a top perspective view of a tray for coffee capsules showing my new design;
FIG. 2 is a top plan view thereof;
FIG. 3 is a bottom plan view thereof;
FIG. 4 is a front elevational view thereof;
FIG. 5 is a rear elevational view thereof;
FIG. 6 is a left side elevational view thereof;
FIG. 7 is a right side elevational view thereof; and,
FIG. 8 is a bottom perspective view thereof.

1 Claim, 8 Drawing Sheets



(56)

References Cited

U.S. PATENT DOCUMENTS

2,844,258 A * 7/1958 Faber A47J 29/06
D7/546
D188,286 S * 6/1960 Hassey D7/553.6
D204,033 S * 3/1966 Hall D16/236
D225,364 S * 12/1972 Antoni D7/553.6
D229,997 S * 1/1974 Hoffman D6/682.2
D232,793 S * 9/1974 Bennet D7/553.6
3,964,629 A * 6/1976 McCabe A47G 23/0208
220/23.86
4,039,797 A * 8/1977 Olsen A21B 2/00
219/732
D260,207 S * 8/1981 Whyte 211/74
D269,935 S * 8/1983 Powers D7/357
D285,638 S * 9/1986 Trivison D7/557
D286,360 S * 10/1986 Trivison D7/540
D292,161 S * 10/1987 Spolter D7/553.6
D312,949 S * 12/1990 Persch D7/598
D313,132 S * 12/1990 Masacek D6/682.2
D322,085 S * 12/1991 Canning D16/236
D323,446 S * 1/1992 Morse D6/680.1
5,275,339 A * 1/1994 Andis A45D 20/122
239/443
5,297,567 A * 3/1994 Summerville A45D 4/16
132/227
D393,775 S * 4/1998 Otero D7/553.6
D405,361 S * 2/1999 Cameron D9/731
D474,942 S * 5/2003 Tocci D7/541
D503,881 S * 4/2005 Govrik D9/755
D506,104 S * 6/2005 Vidal D7/554.2
D511,941 S * 11/2005 McGuyer D7/600.1
D541,126 S * 4/2007 Cho D8/74
D559,464 S * 1/2008 Singh D28/73
8,544,390 B1 * 10/2013 Bahnsen A47G 23/08
108/94
D697,742 S * 1/2014 Young D6/682.3
8,640,894 B1 * 2/2014 Cronin A47B 97/00
211/205
D724,388 S * 3/2015 Smeja D7/600.1

D731,249 S * 6/2015 Keeth D7/554.2
D742,178 S * 11/2015 Shames D7/554.2
D743,756 S * 11/2015 Brandon D7/707
D766,665 S * 9/2016 Shames D7/554.2
D804,325 S * 12/2017 Thompson D9/758
D808,746 S * 1/2018 Collot D7/707
D827,684 S * 9/2018 Wilson D15/126
D856,399 S * 8/2019 Rebot D16/236
D863,864 S * 10/2019 Armistead D7/357
D869,243 S * 12/2019 Palder D7/600.1
D875,444 S * 2/2020 Siry D6/677
D878,090 S * 3/2020 Gould D6/536
D882,345 S * 4/2020 Mor D7/611
D900,173 S * 10/2020 Wilson D15/126
D919,353 S * 5/2021 Young D7/357
D925,292 S * 7/2021 Abusoud D7/553.8
D931,061 S * 9/2021 Ferrada D7/611
D939,275 S * 12/2021 Greenwood D7/501
2008/0023425 A1 * 1/2008 Ricciardi A47G 23/0641
211/126.2

OTHER PUBLICATIONS

Coffee Pod Storage Container, Nespresso, ebay.com, published by user sandogardy on Aug. 10, 2021 © 1995-2021 eBay, Inc., online, site visited Aug. 12, 2021. Available at URL: https://www.ebay.com/itm/184992082562?hash=item2b12632a82:g:RG4AAOSwVotg5Kdi#viTabs_0 (Year: 2021).
Coffee Pod Carousel Holder, Everie, amazon.com, published by Everie on Mar. 9, 2020 © 1996-2021 Amazon.com, Inc., online, site visited Aug. 12, 2021. Available at URL: https://www.amazon.com/EVERIE-Carousel-Organizer-Compatible-KRS4005/dp/B093V6FLMX/ref=sr_1_2_sspa?dchild=1&keywords=XIAMEN+coffee+pod+holder&qid=1628799092&sr=8-2-spons&psc=1&spLa=ZW5jcnlwdGVkUXVhbGlmaWVyPUFCNEU2NkNGVU11OUYmZW5jcnlwdGVkSWQ9TA2MTYzNjNDST1gwRkY1Tk5PSCZlbnNyeXB0ZWRBZEIkPUEwNTg2MTAzMjVWUEM0WIMxRU5HNiZ3aWRnZXROYW1lPXNwX2F0ZiZhY3Rpb249Y2xpY2tSZW RpcmVjdCZkb05vdExvZ0NsaWNrPXRydWU= (Year: 2020).*

* cited by examiner

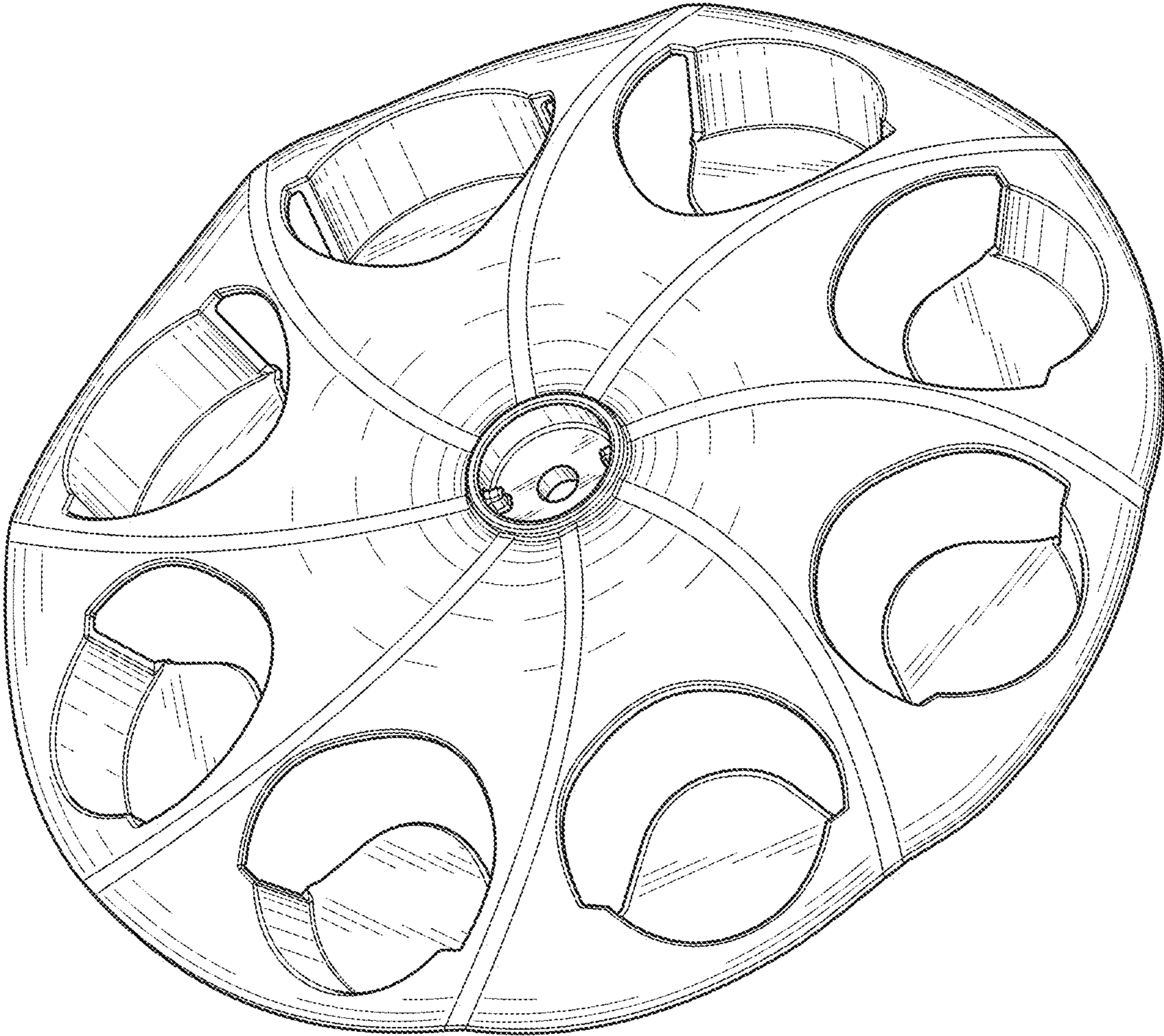


FIG. 1

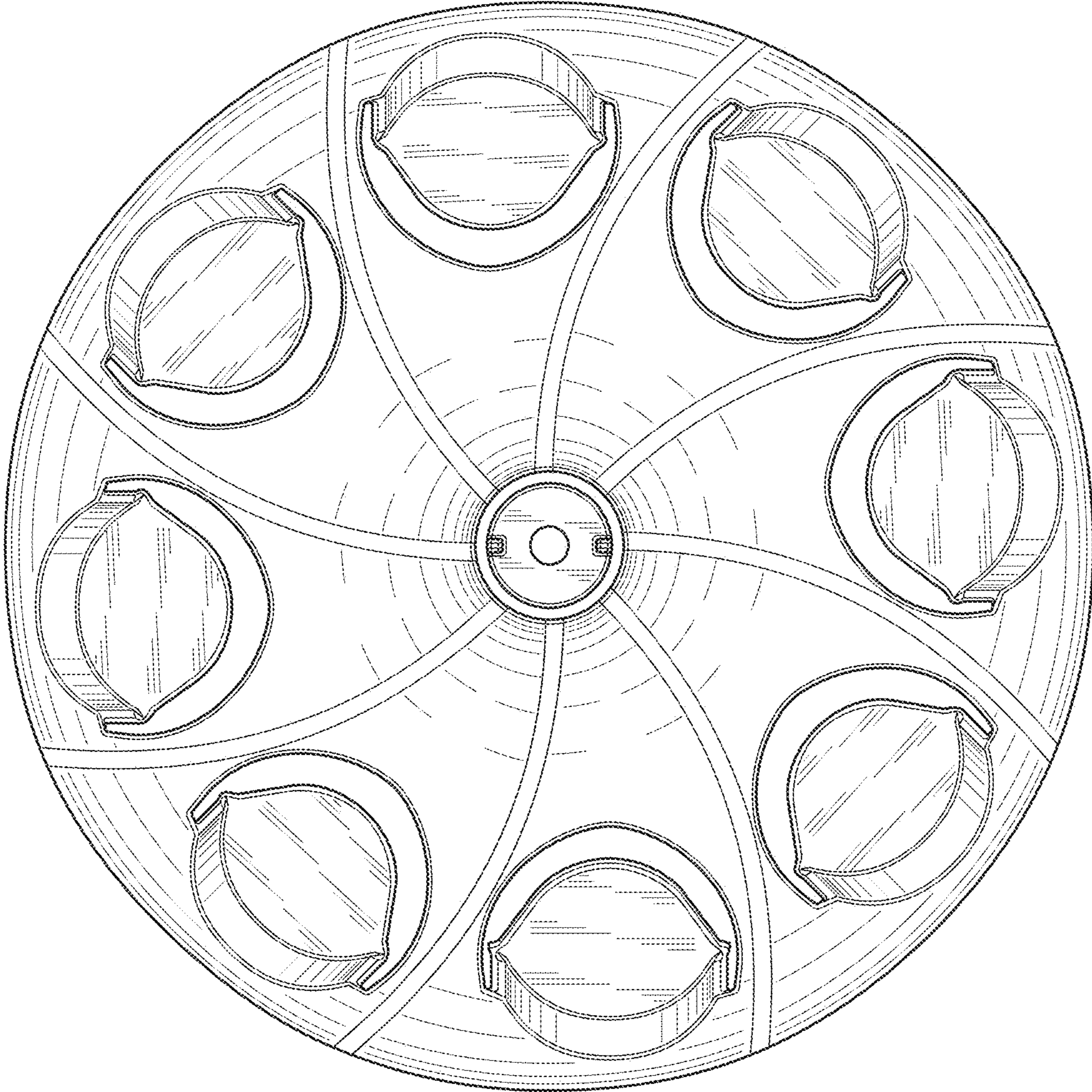


FIG. 2

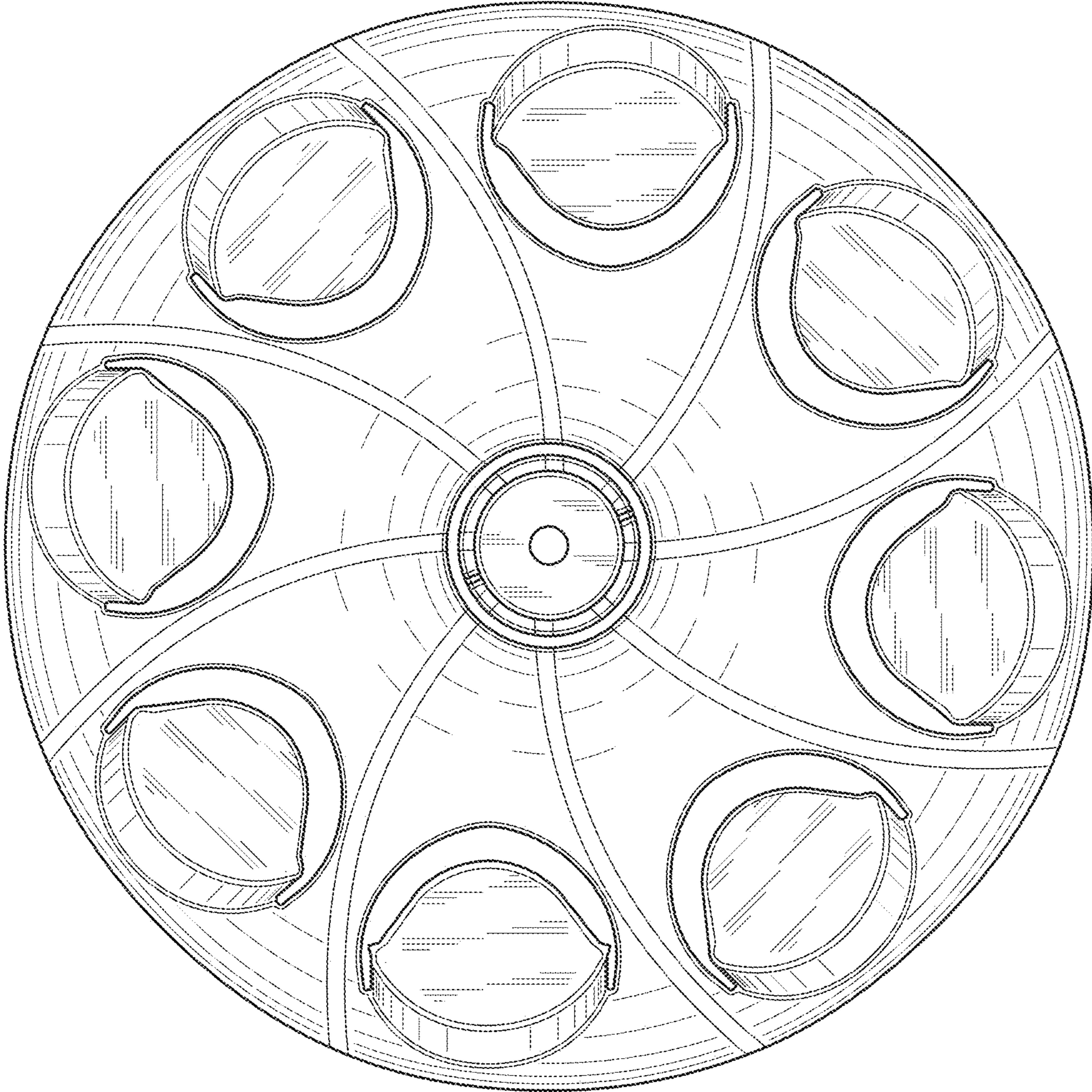


FIG. 3

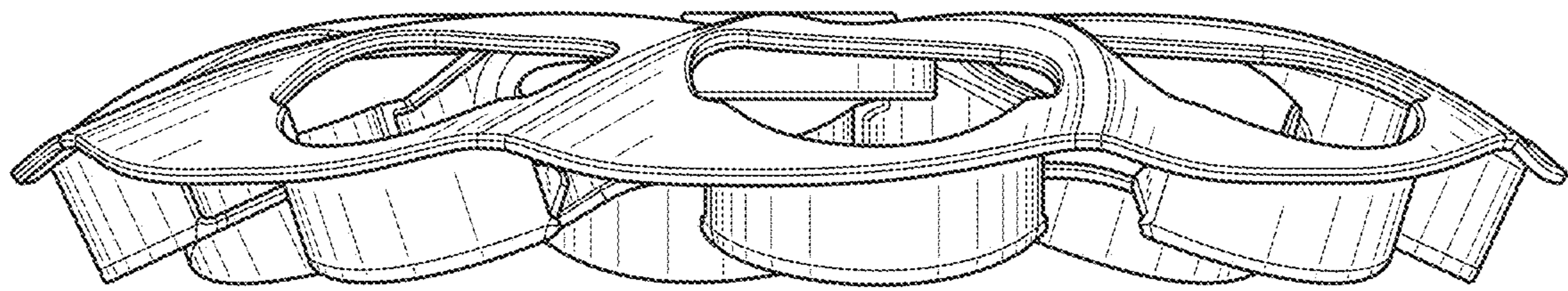


FIG. 4

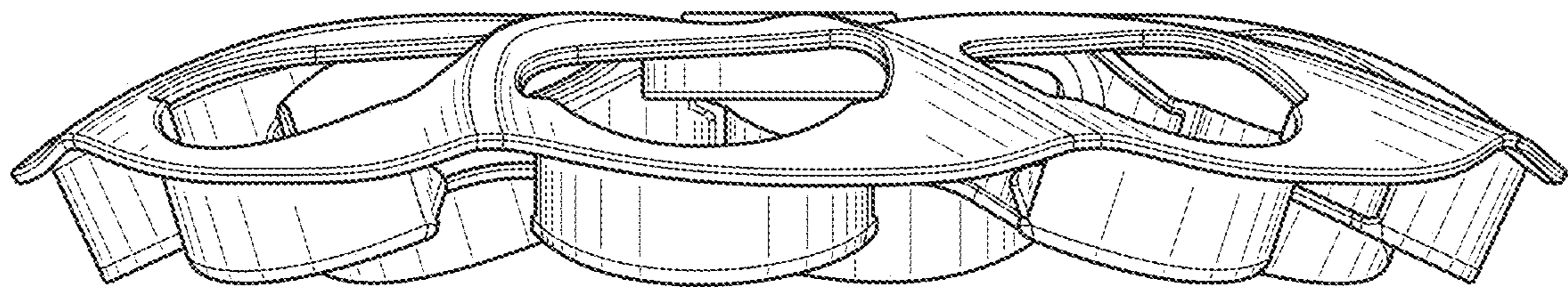


FIG. 5

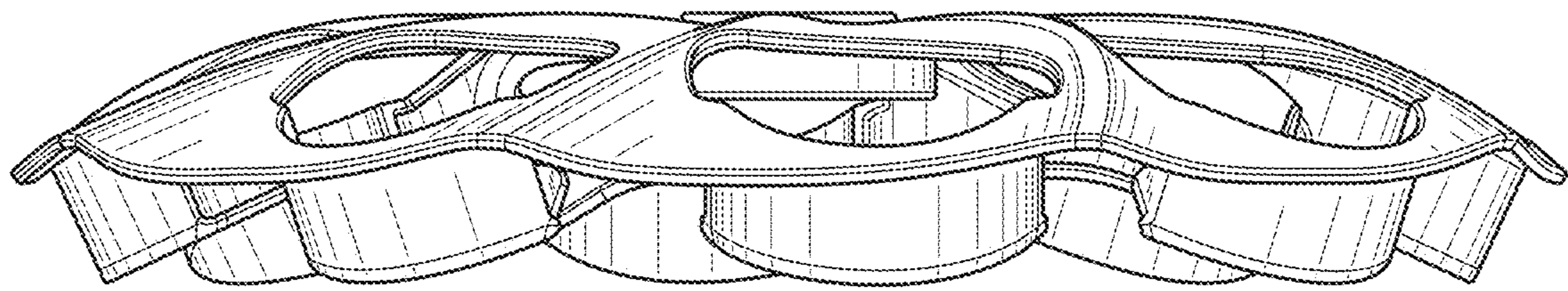


FIG. 6

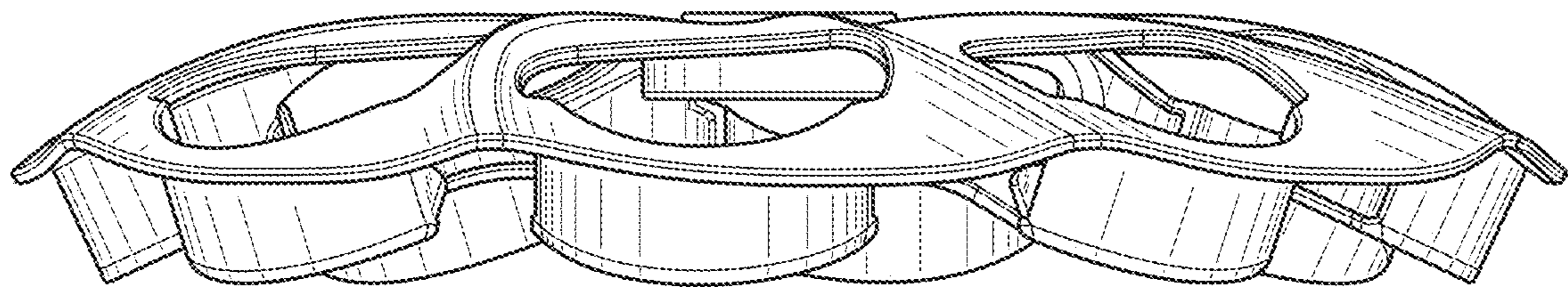


FIG. 7

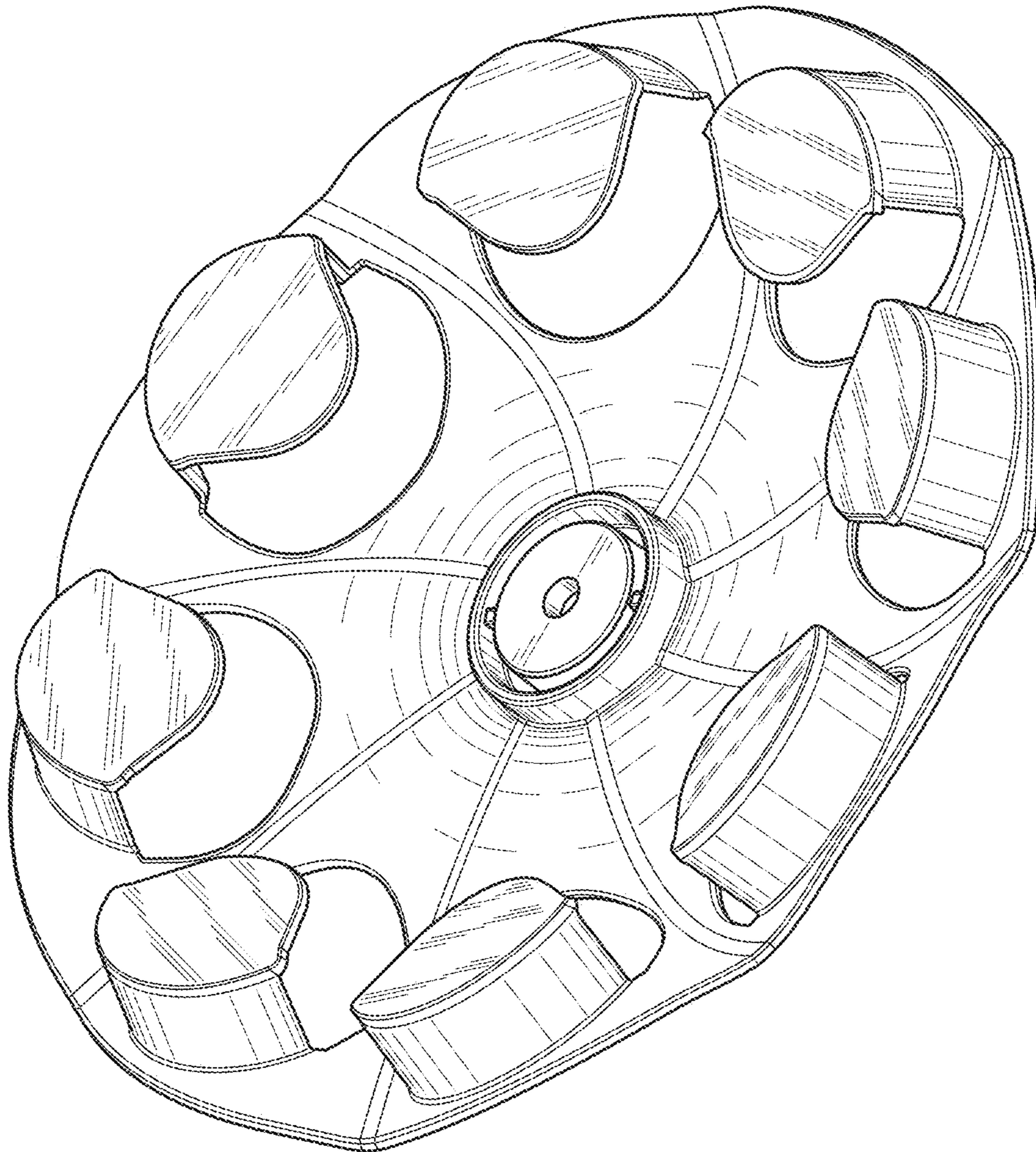


FIG. 8