



US00D964811S

(12) **United States Design Patent**  
**Landau**

(10) **Patent No.:** **US D964,811 S**

(45) **Date of Patent:** **\*\* Sep. 27, 2022**

(54) **FOOD DISPENSER**

(71) Applicant: **Ofer Landau**, Eyn Vered (IL)

(72) Inventor: **Ofer Landau**, Eyn Vered (IL)

(73) Assignee: **Ofer Landau**, Eyn Vered (IL)

(\*\*) Term: **15 Years**

(21) Appl. No.: **29/734,413**

(22) Filed: **May 12, 2020**

(51) **LOC (13) Cl.** ..... **07-07**

(52) **U.S. Cl.**

USPC ..... **D7/589**; D7/397

(58) **Field of Classification Search**

USPC ... D7/602, 707, 590, 592-597, 600.1-600.2,  
D7/630-632, 640, 300, 304-306,  
D7/311-313, 321, 373, 399, 415, 589;  
D6/520, 524-525, 677.2, 692.4-692.5,  
D6/696.3; D9/756, 761, 737-739, 741,  
D9/747, 758; D3/292, 294-295, 905  
CPC . F16M 11/00; A47K 1/09; A47B 88/90; A47J  
47/02; A47J 47/06; A47J 47/10; B67D  
1/0016; B67D 1/0003

See application file for complete search history.

(56) **References Cited**

**U.S. PATENT DOCUMENTS**

D149,257 S *	4/1948	Corey	.....	D7/304
D259,567 S *	6/1981	Grange	.....	D7/300
4,287,921 A *	9/1981	Sanford	.....	A47G 19/34
				141/286
D326,983 S *	6/1992	Elmore	.....	D7/589
D328,007 S *	7/1992	Mondry	.....	D7/589
D335,242 S *	5/1993	Saunders	.....	D7/589
D421,550 S *	3/2000	Henry	.....	D7/589
D469,661 S *	2/2003	Rivkin	.....	D7/589
D495,197 S *	8/2004	Lassota	.....	D7/305
D518,245 S *	3/2006	Denslow	.....	D30/121

D557,988 S *	12/2007	Deeds	.....	D7/589
D592,460 S *	5/2009	Long	.....	D7/589
D592,462 S *	5/2009	Long	.....	D7/589
D618,061 S *	6/2010	Webster	.....	D7/589

(Continued)

**FOREIGN PATENT DOCUMENTS**

BX	36353	*	7/2005
CA	161167	*	2/2015
CA	171095	*	7/2017

**OTHER PUBLICATIONS**

FBD100 Bulk Candy Dispenser, IDM, ids-dispenser.com, published by IDM, date unlisted © IDM, Ltd., online, site visited Aug. 19, 2021. Available at URL: <https://www.idm-dispenser.com/collections/new-products/products/fbd100-bulk-candy-food-dispenser> (Year: 2021).\*

(Continued)

*Primary Examiner* — Sandra Snapp

*Assistant Examiner* — Altaira J Swangin

(74) *Attorney, Agent, or Firm* — Mark M. Friedman

(57) **CLAIM**

The ornamental design for one food dispenser, as shown.

**DESCRIPTION**

FIG. 1 is a front view of a food dispenser showing my new design.

FIG. 2 is a rear side view thereof;

FIG. 3 is a right side view thereof;

FIG. 4 is a left view thereof;

FIG. 5 is a top view thereof;

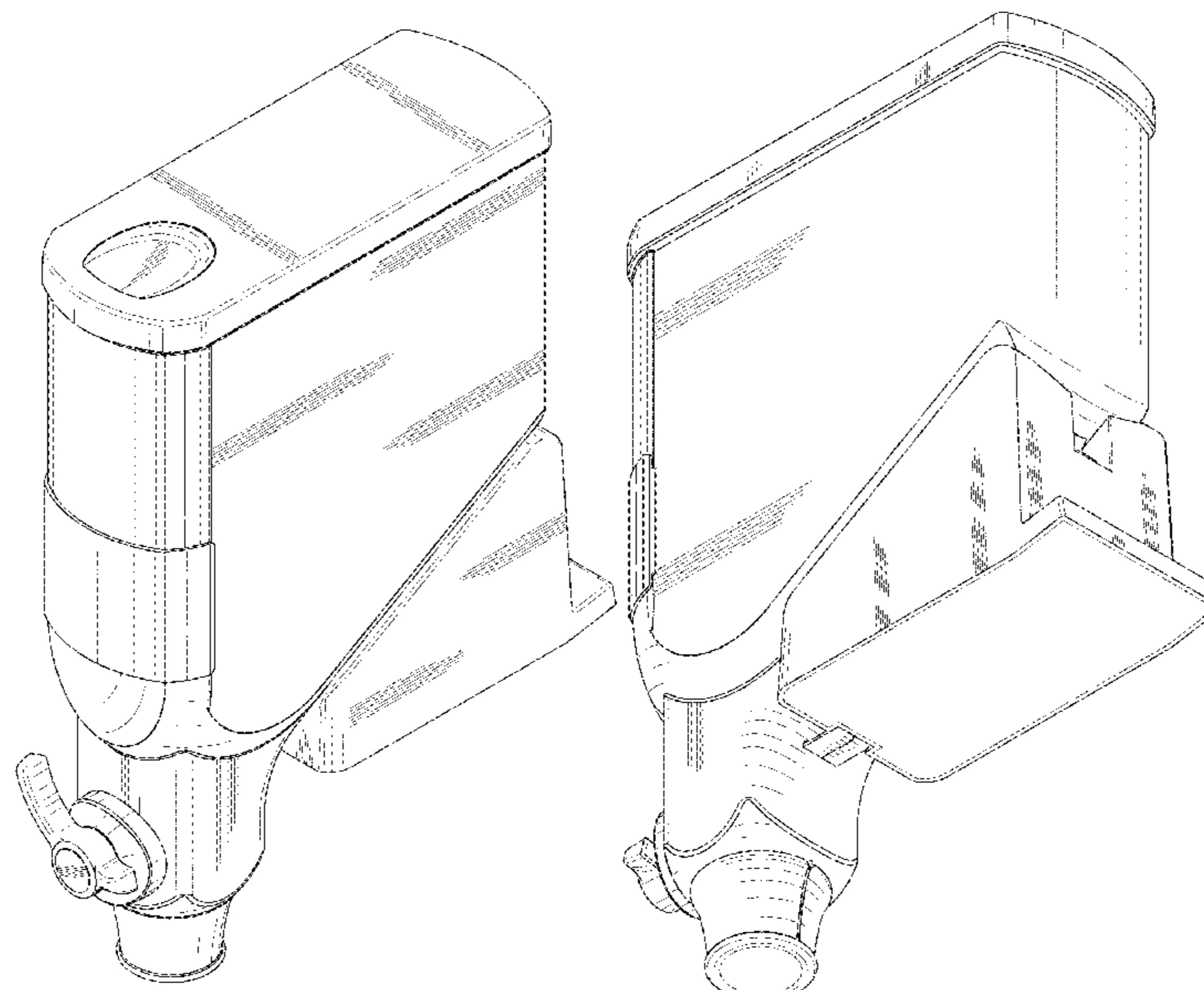
FIG. 6 is a bottom view thereof;

FIG. 7 is a right perspective view thereof; and,

FIG. 8 is a right bottom perspective view thereof.

The broken lines in drawings depict portions of the food dispenser that form no part of the claimed design.

**1 Claim, 7 Drawing Sheets**



(56)

**References Cited**

U.S. PATENT DOCUMENTS

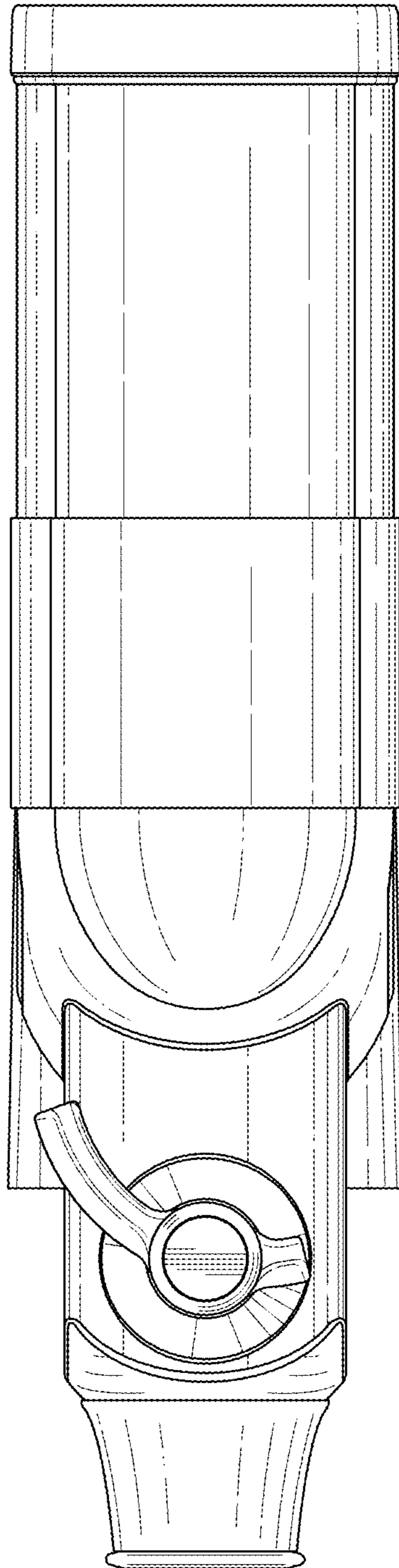
D702,476 S \* 4/2014 Minica ..... B67D 1/0037  
D7/306  
8,708,199 B2 \* 4/2014 James ..... A47F 1/02  
222/158  
D792,730 S \* 7/2017 Ench ..... D7/306  
D805,805 S \* 12/2017 Siu ..... D6/545  
D815,481 S \* 4/2018 Wendt ..... D7/306  
D868,521 S \* 12/2019 Stropkay ..... D7/306  
D869,217 S \* 12/2019 Stropkay ..... D7/306  
D883,739 S \* 5/2020 Koury ..... D9/531  
D891,188 S \* 7/2020 Mitchell ..... D7/589  
D891,872 S \* 8/2020 Mitchell ..... D7/589  
D906,044 S \* 12/2020 Stropkay ..... D7/397  
D906,045 S \* 12/2020 Stropkay ..... D7/397  
D933,420 S \* 10/2021 Koury ..... D7/397  
2002/0125187 A1 \* 9/2002 Tanner ..... C02F 1/003  
210/477

OTHER PUBLICATIONS

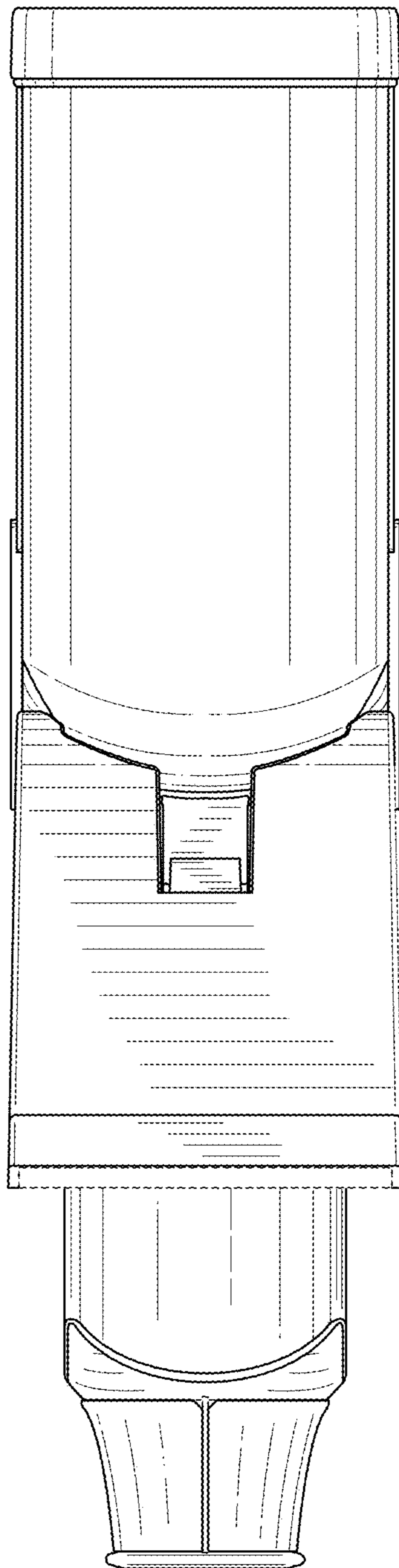
FBD100 Bulk Dry Food Dispenser, IDM, ids-dispenser.com, published by IDM on Sep. 26, 2020 per wayback machine © IDM, Ltd., online, site visited Aug. 19, 2021. Available at URL: <https://www.idm-dispenser.com/products/fbd100-bulk-dispenser> (Year: 2021).\*

1-Piece Black Plastic Cereal Dispenser, Mind Reader, homedepot.com, published by Home Depot, date unlisted © 2000-2021 Home Depot Product Authority, LLC, online, site visited Aug. 27, 2021. URL: <https://www.homedepot.com/p/Mind-Reader-1-Piece-Black-Plastic-Cereal-Dispenser-BULKED-BLK/315759304> (Year: 2021).\*

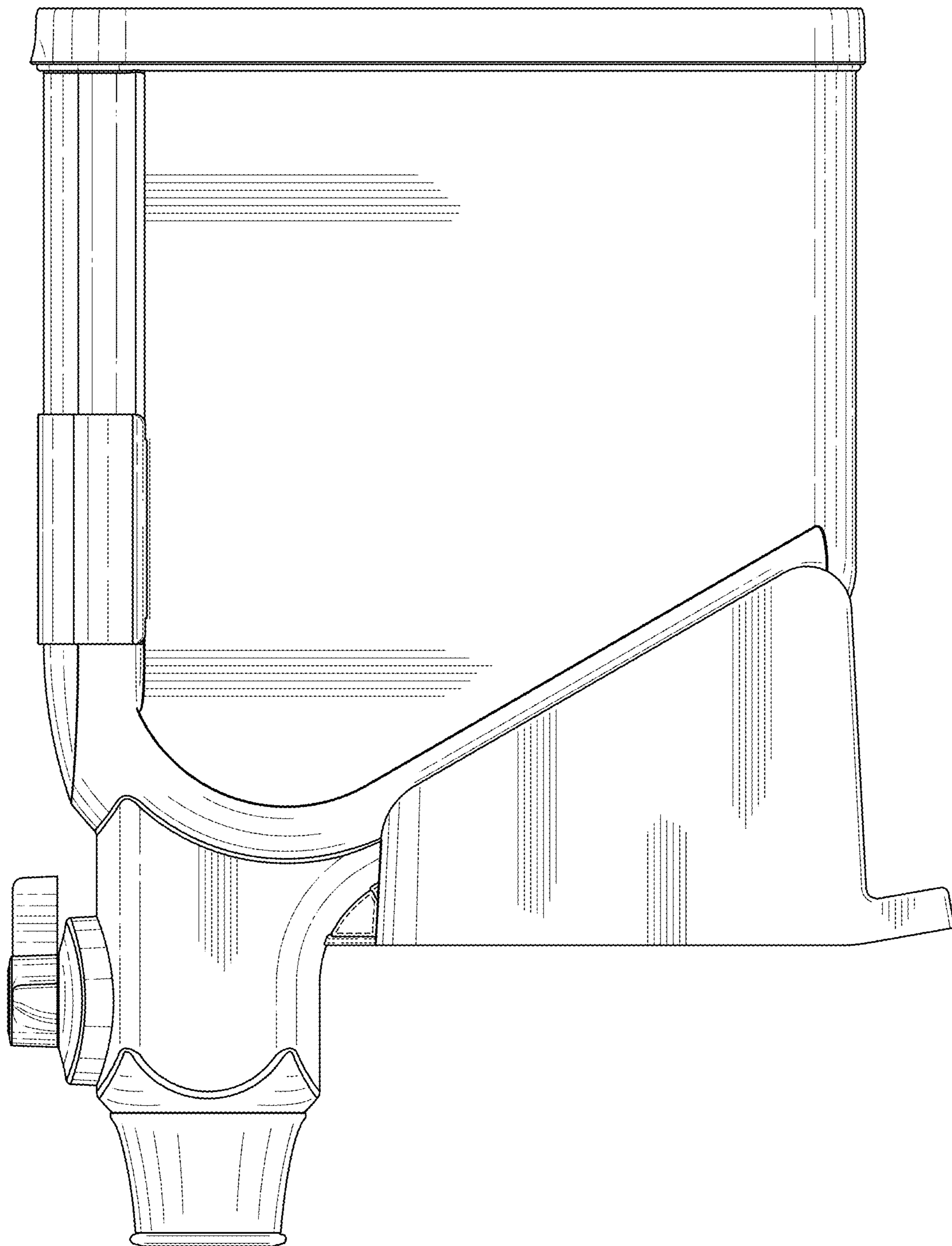
\* cited by examiner



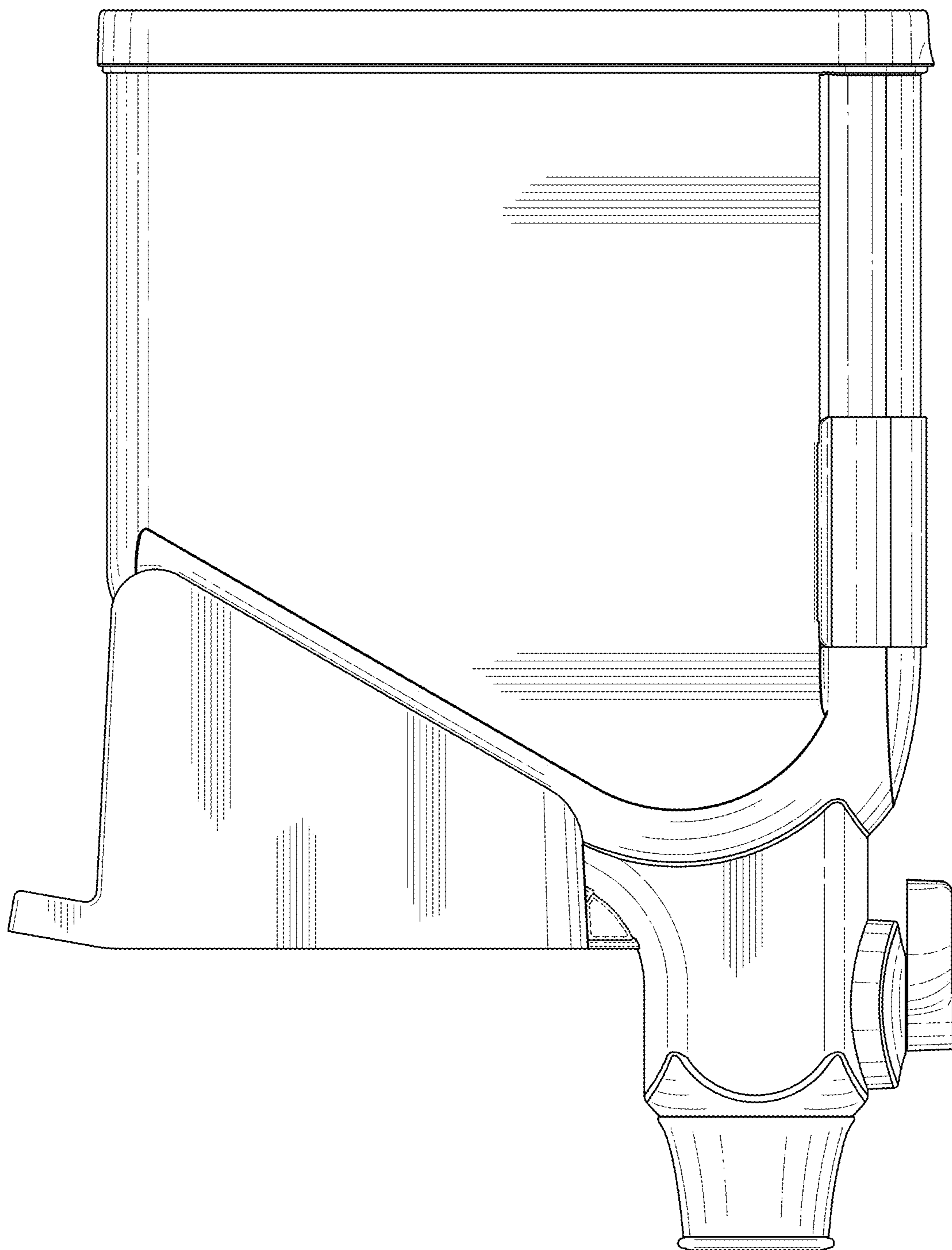
*FIG. 1*



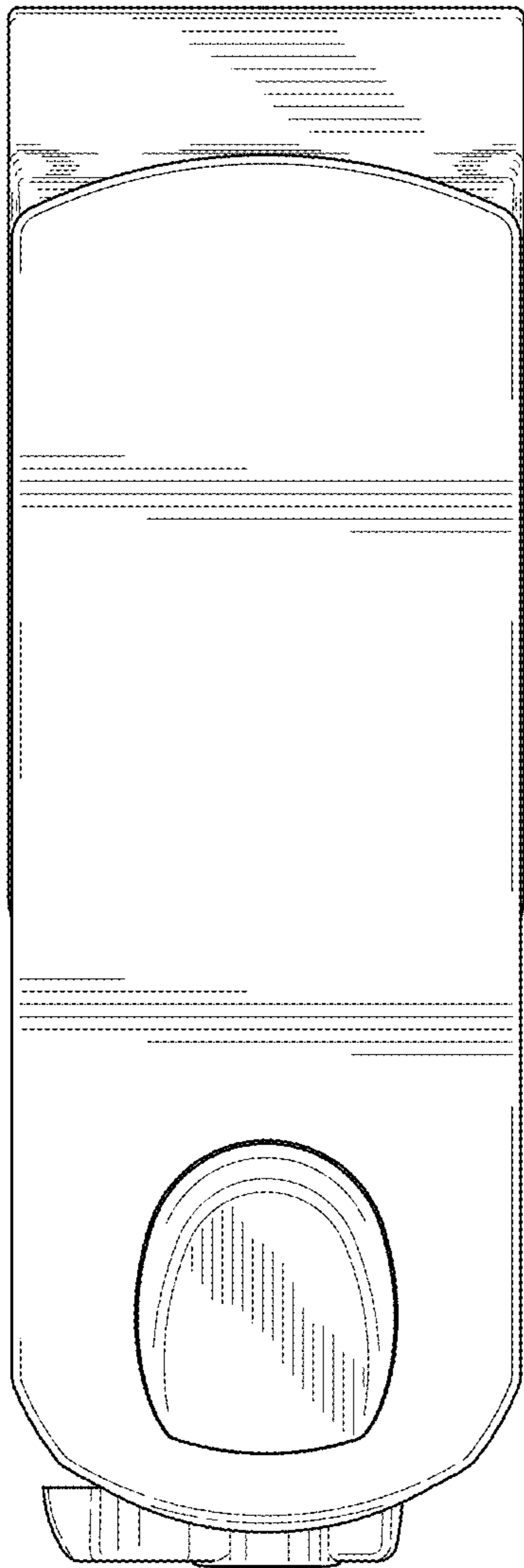
*FIG. 2*



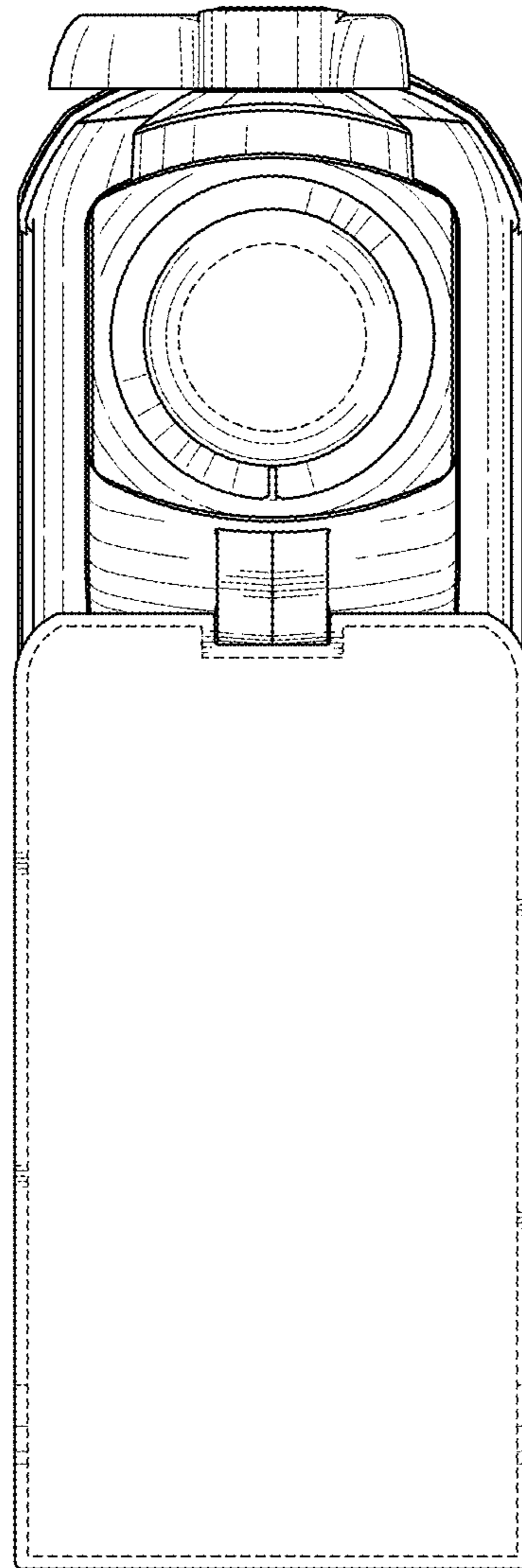
*FIG. 3*



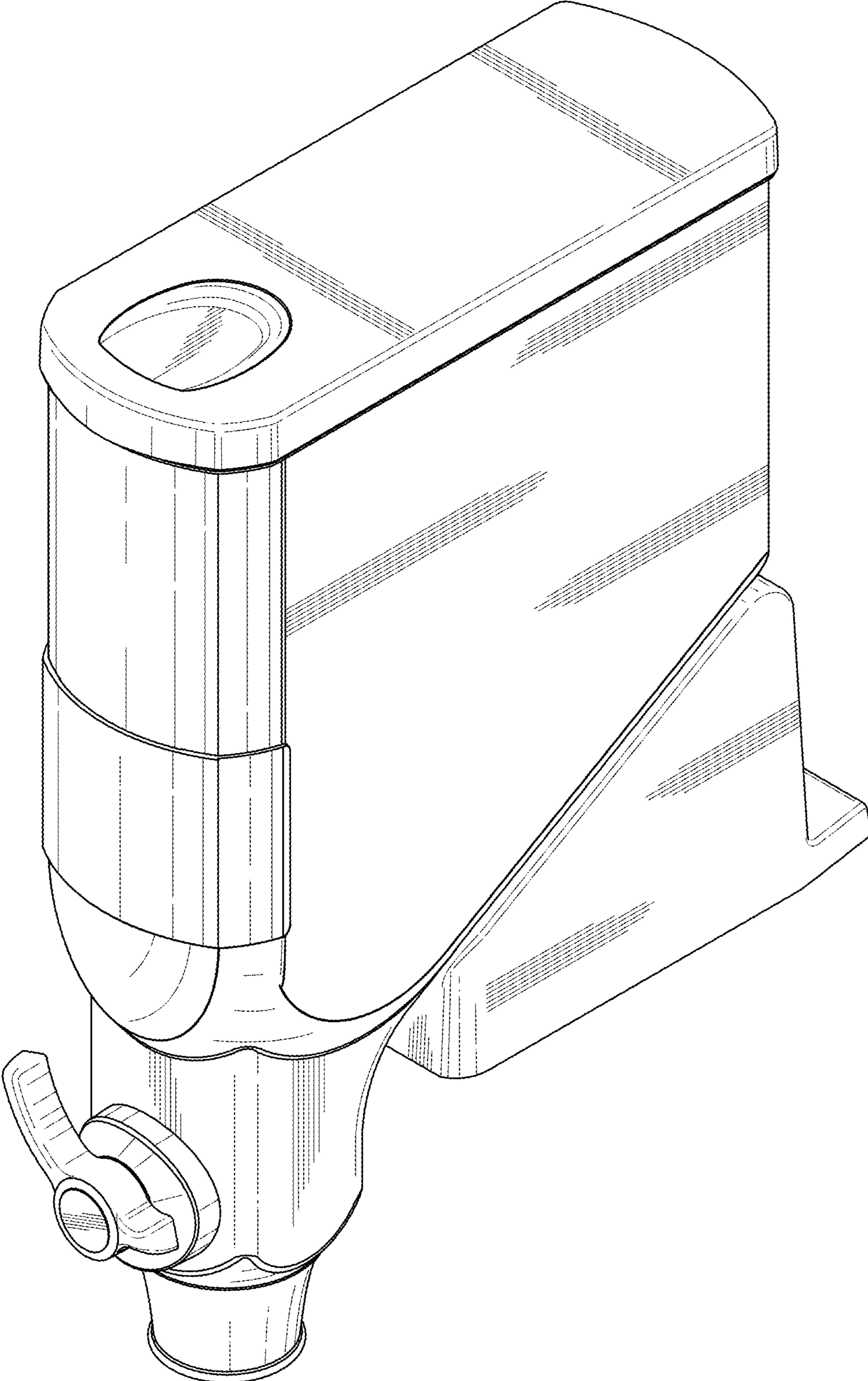
*FIG. 4*



*FIG. 5*



*FIG. 6*



*FIG. 7*



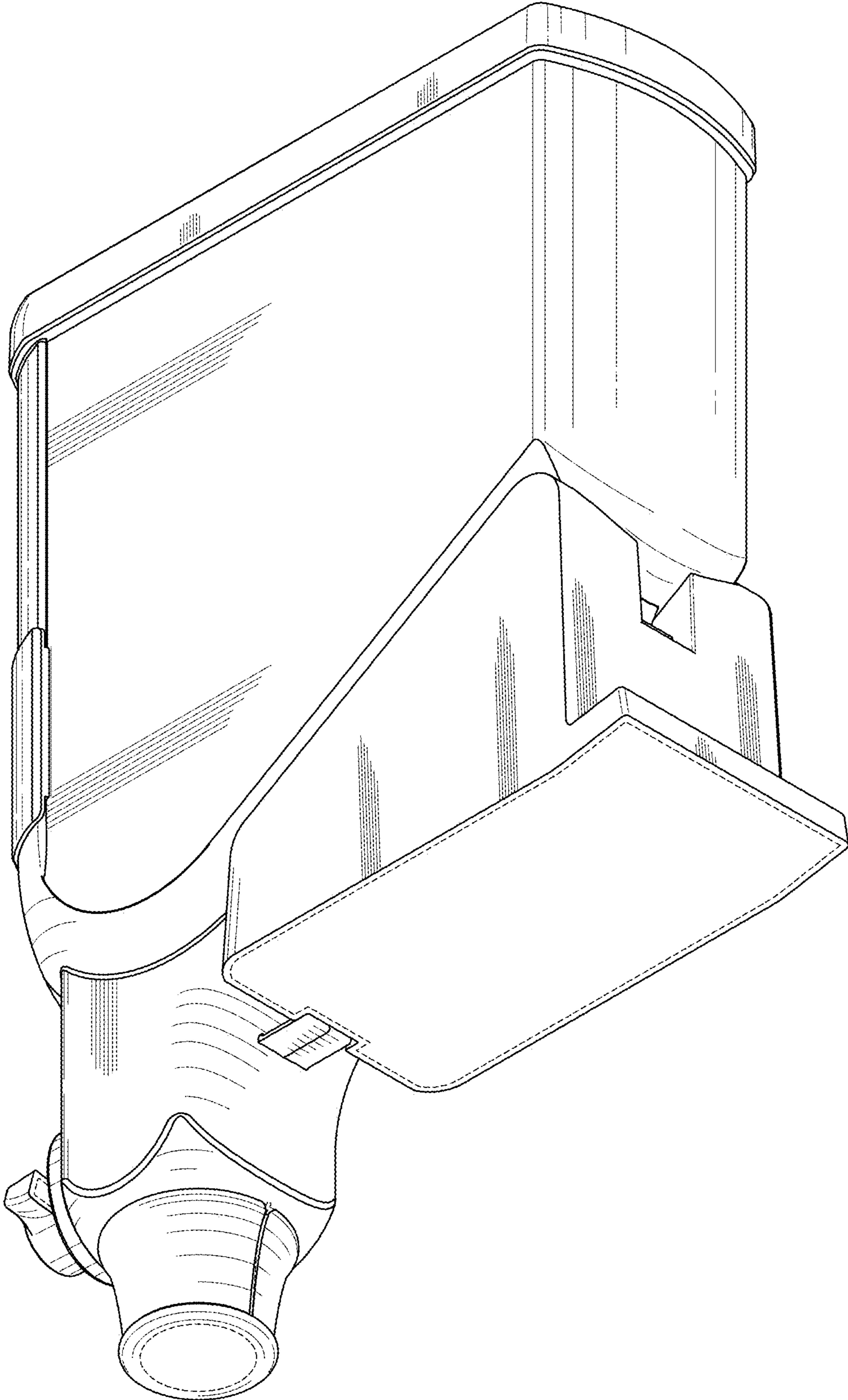


FIG. 8