

US00D964809S

(12) **United States Design Patent**  
**Bornfleth**

(10) **Patent No.:** **US D964,809 S**

(45) **Date of Patent:** **\*\* Sep. 27, 2022**

- (54) **SERVING PLANK**
- (71) Applicant: **AARON'S QUALITY DETAILING, LLC**, Largo, FL (US)
- (72) Inventor: **Aaron Bornfleth**, Largo, FL (US)
- (73) Assignee: **AARON'S QUALITY DETAILING, LLC**, Largo, FL (US)
- (\*\*) Term: **15 Years**
- (21) Appl. No.: **29/767,280**
- (22) Filed: **Jan. 21, 2021**
- (51) **LOC (13) Cl.** ..... **07-01**
- (52) **U.S. Cl.**  
USPC ..... **D7/553.5**
- (58) **Field of Classification Search**  
USPC ..... D7/500, 550.1, 552.1, 552.2, 553.1, D7/553.2, 553.3, 553.4, 553.5, 601-602, D7/397  
CPC ..... A47G 19/30; A47G 19/02; A47G 23/06; A47G 23/0608; A47G 21/08  
See application file for complete search history.

- D335,796 S \* 5/1993 Barnes ..... D7/553.5
- D359,594 S \* 6/1995 Macri ..... D30/133
- D364,072 S \* 11/1995 Keable ..... D7/553.5
- D396,953 S \* 8/1998 Iversen ..... D3/310
- D396,956 S \* 8/1998 Iversen ..... D19/75
- D399,095 S \* 10/1998 Schmidt ..... D7/554.1
- D406,727 S \* 3/1999 Weatherby ..... D7/553.5
- D563,176 S \* 3/2008 Gruneisen, III ..... D7/553.2
- D564,677 S \* 3/2008 Farber ..... D25/68
- D575,585 S \* 8/2008 Geens ..... D7/553.2
- D583,123 S \* 12/2008 Cassin, III ..... D34/27
- D669,311 S \* 10/2012 Hsu ..... D7/553.5
- D687,300 S \* 8/2013 Jones ..... D9/456
- D689,772 S \* 9/2013 Jones ..... D9/456
- D690,164 S \* 9/2013 Lock ..... D7/553.2
- D746,637 S \* 1/2016 Mairinger ..... D7/553.2
- D771,384 S \* 11/2016 Aldredge ..... D3/313
- D836,832 S \* 12/2018 Kesselman ..... D27/186
- D836,991 S \* 1/2019 Wansink ..... D7/553.5

(Continued)

*Primary Examiner* — Kelley A Donnelly

(74) *Attorney, Agent, or Firm* — Jacob M. Ward; Ward Law Office LLC

(57) **CLAIM**

The ornamental design for a serving plank, as shown and described.

**DESCRIPTION**

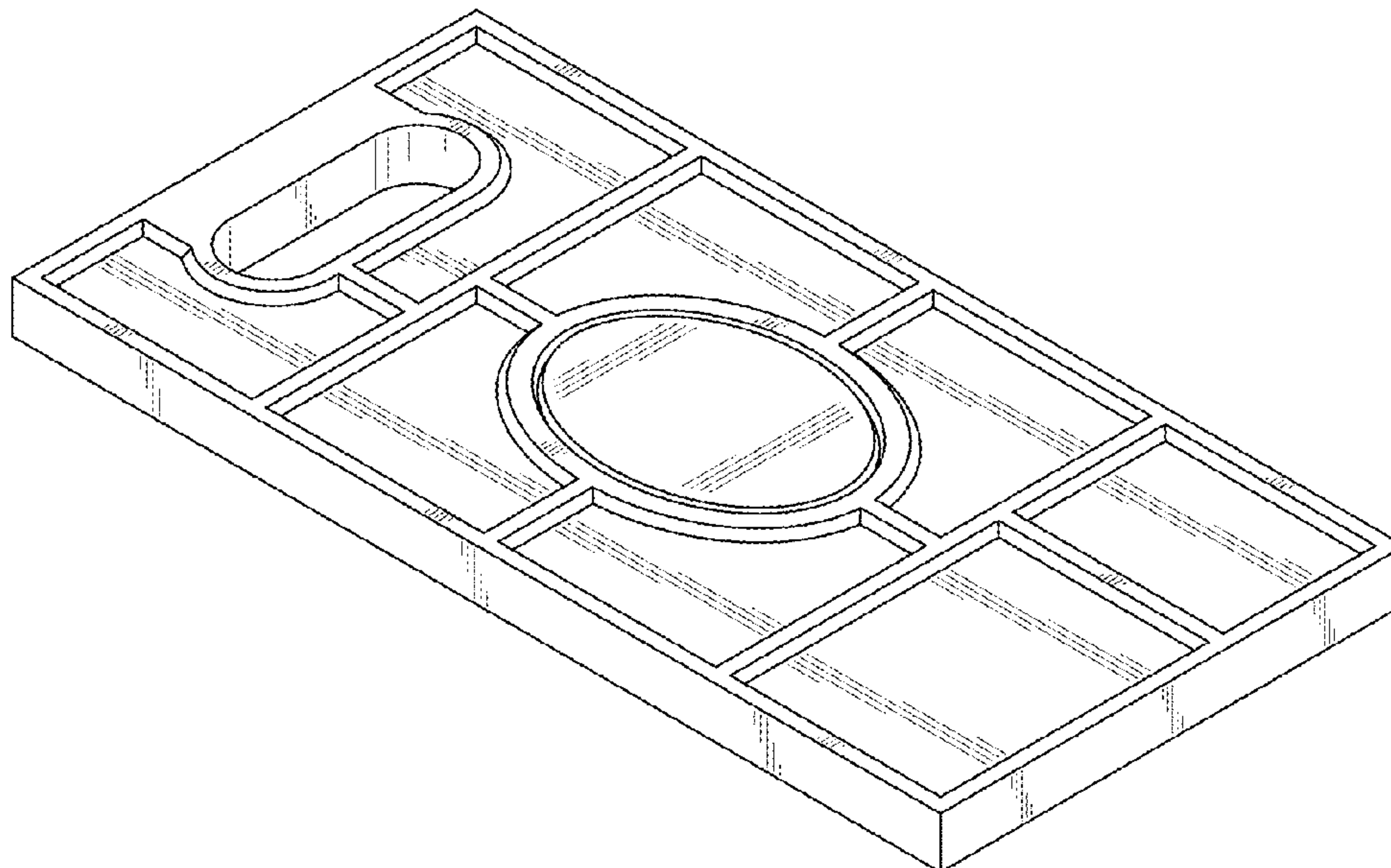
FIG. 1 is a top perspective view of a serving plank; FIG. 2 is a top plan view of the serving plank of FIG. 1; FIG. 3 is a bottom plan view thereof; FIG. 4 is a front elevational view thereof; and, FIG. 5 is a right side elevational view thereof. The ornamental design which is claimed is shown in solid lines in the drawings. A rear elevational view is not shown because it is identical to the front elevational shown in FIG. 4. A left side elevational view is not shown because it is identical to the right side elevational view shown in FIG. 5.

**1 Claim, 3 Drawing Sheets**

(56) **References Cited**

**U.S. PATENT DOCUMENTS**

- D143,364 S \* 12/1945 Storch ..... D7/553.4
- D204,999 S \* 6/1966 Edwards ..... 108/46
- D206,761 S \* 1/1967 Kirwan ..... D7/553.5
- D219,240 S \* 11/1970 Bridges et al. .... D7/553.5
- 3,877,603 A \* 4/1975 Holz ..... A47G 23/06 D7/553.5
- D253,628 S \* 12/1979 Adamson ..... D7/553.2
- D255,310 S \* 6/1980 Spencer ..... D9/761
- D264,420 S \* 5/1982 Beckerman ..... D7/638
- D267,462 S \* 1/1983 Kneale, III ..... D7/545
- D271,932 S \* 12/1983 Mosley ..... D7/553.5
- D318,481 S \* 7/1991 Milne ..... D7/505
- D333,237 S \* 2/1993 Plaut ..... D7/549



(56)

**References Cited**

U.S. PATENT DOCUMENTS

D920,058 S \* 5/2021 Fiola ..... D7/698  
D926,529 S \* 8/2021 Mayer ..... D7/554.3  
D941,953 S \* 1/2022 English ..... D22/136  
D942,217 S \* 2/2022 Hong ..... D7/553.5

\* cited by examiner

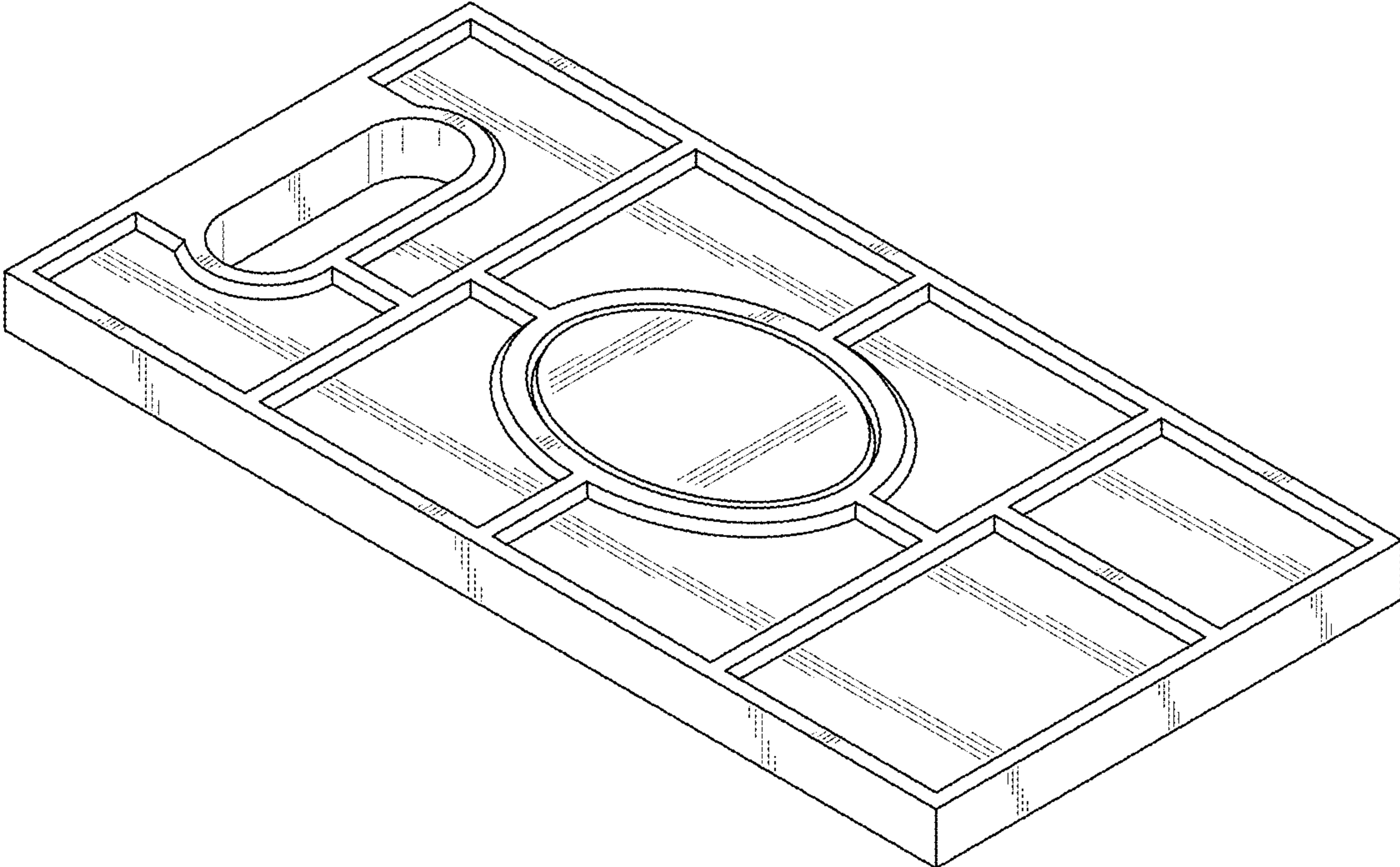


FIG. 1

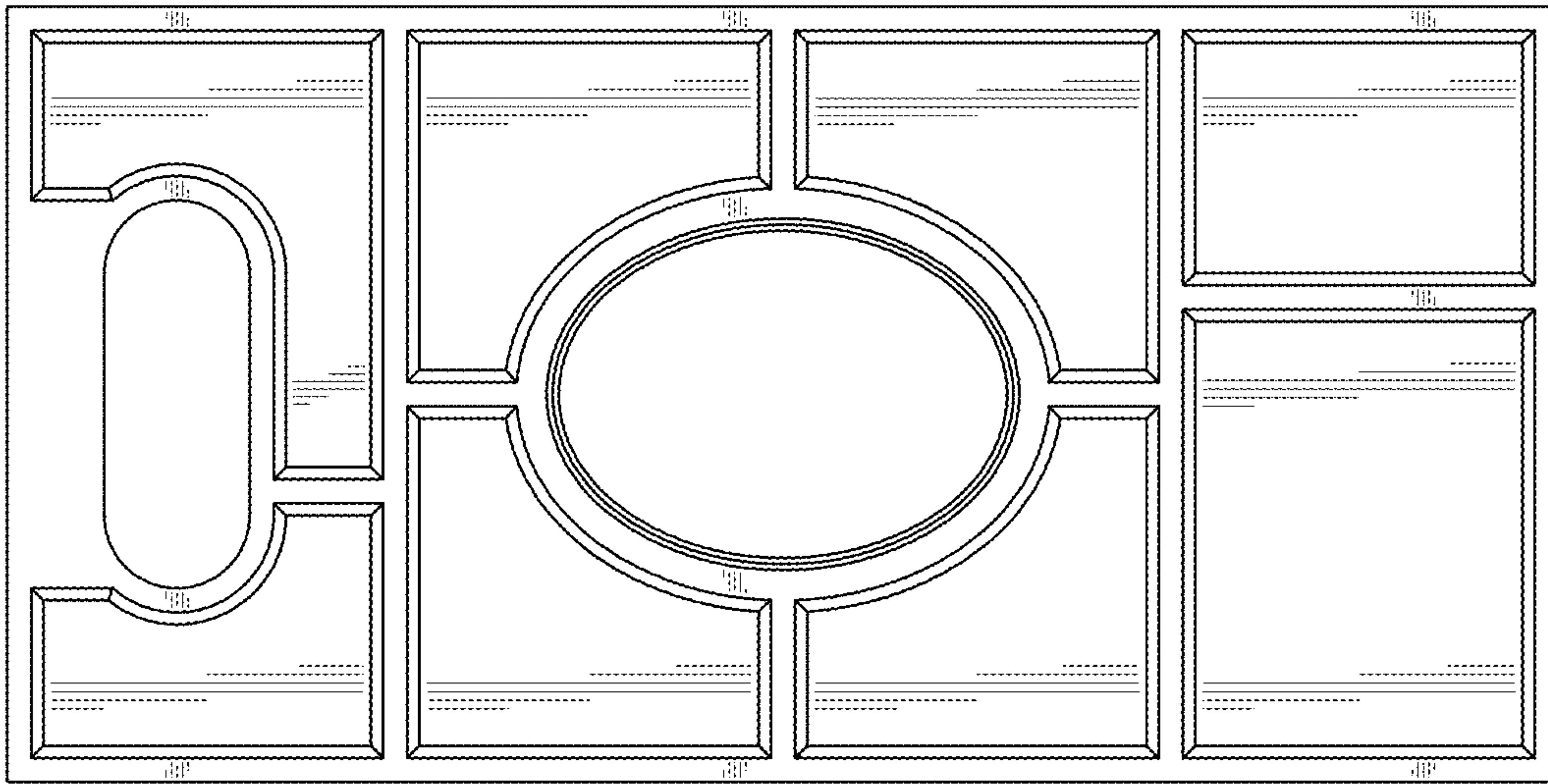


FIG. 2

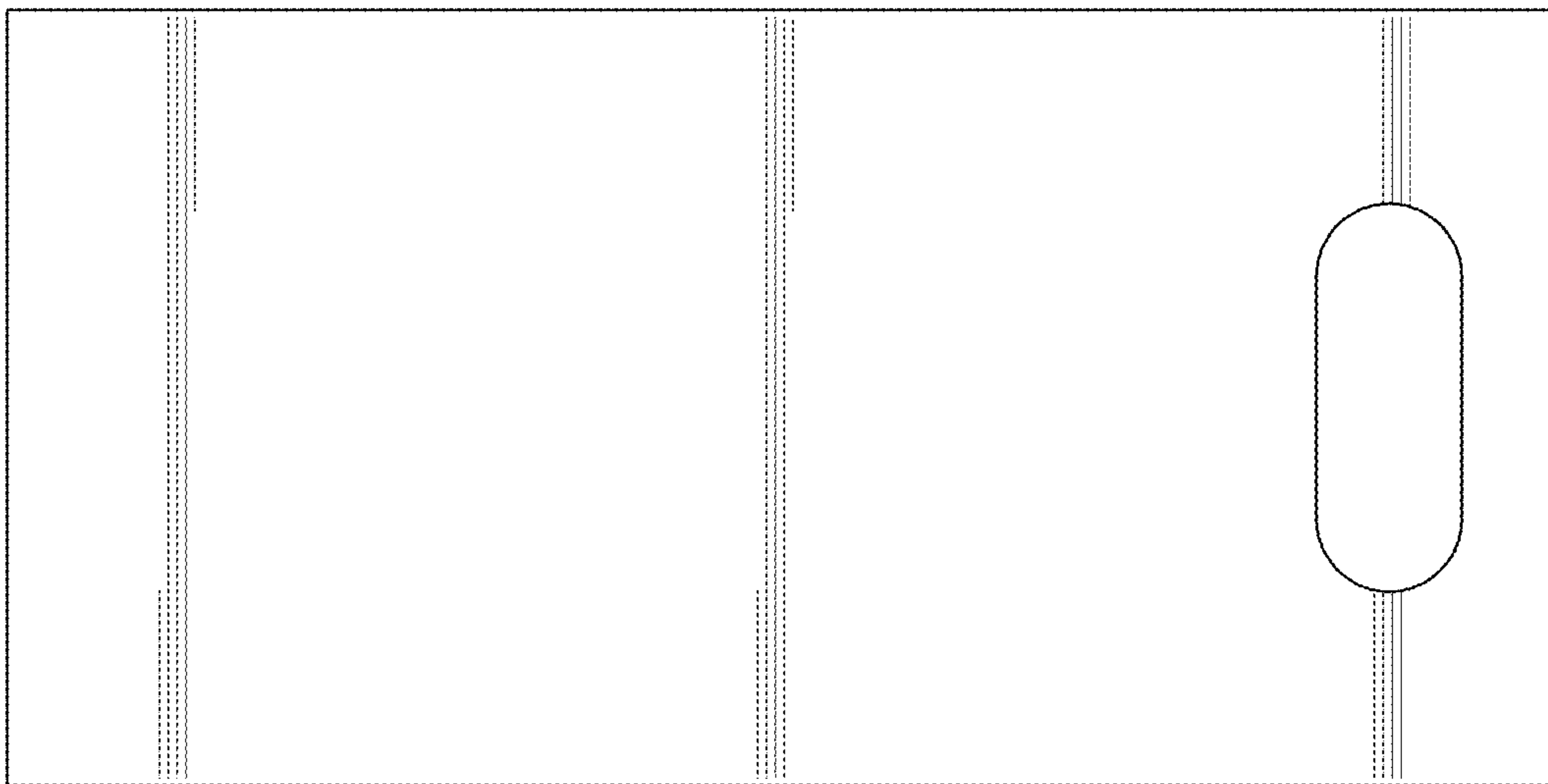


FIG. 3



FIG. 4

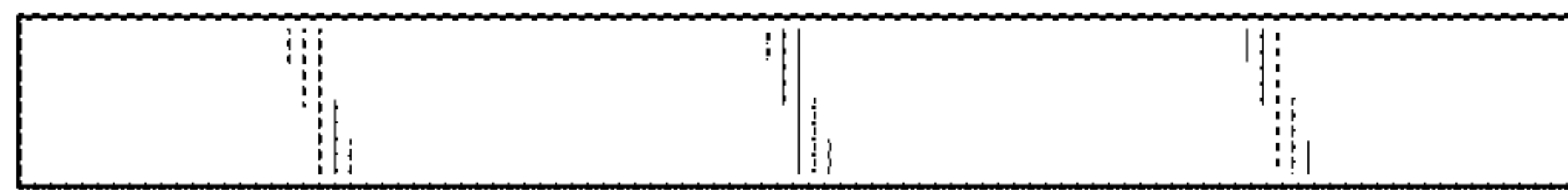


FIG. 5