

US00D964803S

(12) **United States Design Patent** (10) **Patent No.:** **US D964,803 S**  
**McConnell et al.** (45) **Date of Patent:** **\*\* Sep. 27, 2022**

(54) **MIXING BOWL**

(71) Applicant: **WHIRLPOOL CORPORATION**,  
Benton Harbor, MI (US)

(72) Inventors: **Jessica R. McConnell**, St. Joseph, MI  
(US); **John W. McConnell**, St. Joseph,  
MI (US); **John Jay Myers**, Saugatuck,  
MI (US); **Katie Remaly**, St. Joseph, MI  
(US); **Ryan James Rutter**, St. Joseph,  
MI (US); **Anne Wessel**, St. Joseph, MI  
(US)

(73) Assignee: **Whirlpool Corporation**, Benton  
Harbor, MI (US)

(\*\*) Term: **15 Years**

(21) Appl. No.: **29/739,174**

(22) Filed: **Jun. 23, 2020**

(51) **LOC (13) Cl.** ..... **31-00**

(52) **U.S. Cl.**

USPC ..... **D7/412; D7/376; D7/379**

(58) **Field of Classification Search**

USPC ..... D7/354, 372, 376–386, 396.1, 412–413,  
D7/526, 542, 562, 565, 584, 602, 629,  
D7/665–666, 669, 679, 693–694;  
D9/429; D26/11

CPC .... A21C 1/02; A21C 1/04; A23N 1/00; A23N  
1/02; A47J 43/04; A47J 43/25; A47J  
43/27; A47J 43/042; A47J 43/044; A47J  
43/046; A47J 43/075; A47J 43/0705;  
A47J 43/0711; A47J 43/0722; A47J  
43/0727; A47J 43/1093; B01F 3/00; B01F  
3/0807; B01F 3/0853; B01F 13/0059;  
B01F 13/0064; B02C 1/08; B02C 2/04;  
B02C 4/42; B02C 4/142; B02C 4/143;  
B02C 4/423; B02C 13/1835; B28C 5/10;  
B28C 5/12; B28C 5/14; B28C 5/16

See application file for complete search history.

(56) **References Cited**

U.S. PATENT DOCUMENTS

D120,227 S \* 4/1940 May ..... D7/562  
D201,192 S \* 5/1965 Neil ..... D7/562  
3,780,536 A 12/1973 Fishman et al.

(Continued)

FOREIGN PATENT DOCUMENTS

EP 3369353 A1 9/2018  
FR 2899767 A1 10/2007

(Continued)

OTHER PUBLICATIONS

Red Co. Large Clear Glass Mixing Bowl with Ribbed Surface. Date  
First Available on Amazon.com Dec. 15, 2020. <https://www.amazon.com/Red-Co-Surface-Storage-Serving/dp/B08QS4LWDN/ref> (Year:  
2020).\*

*Primary Examiner* — Ricky Pham

(74) *Attorney, Agent, or Firm* — Price Heneveld LLP

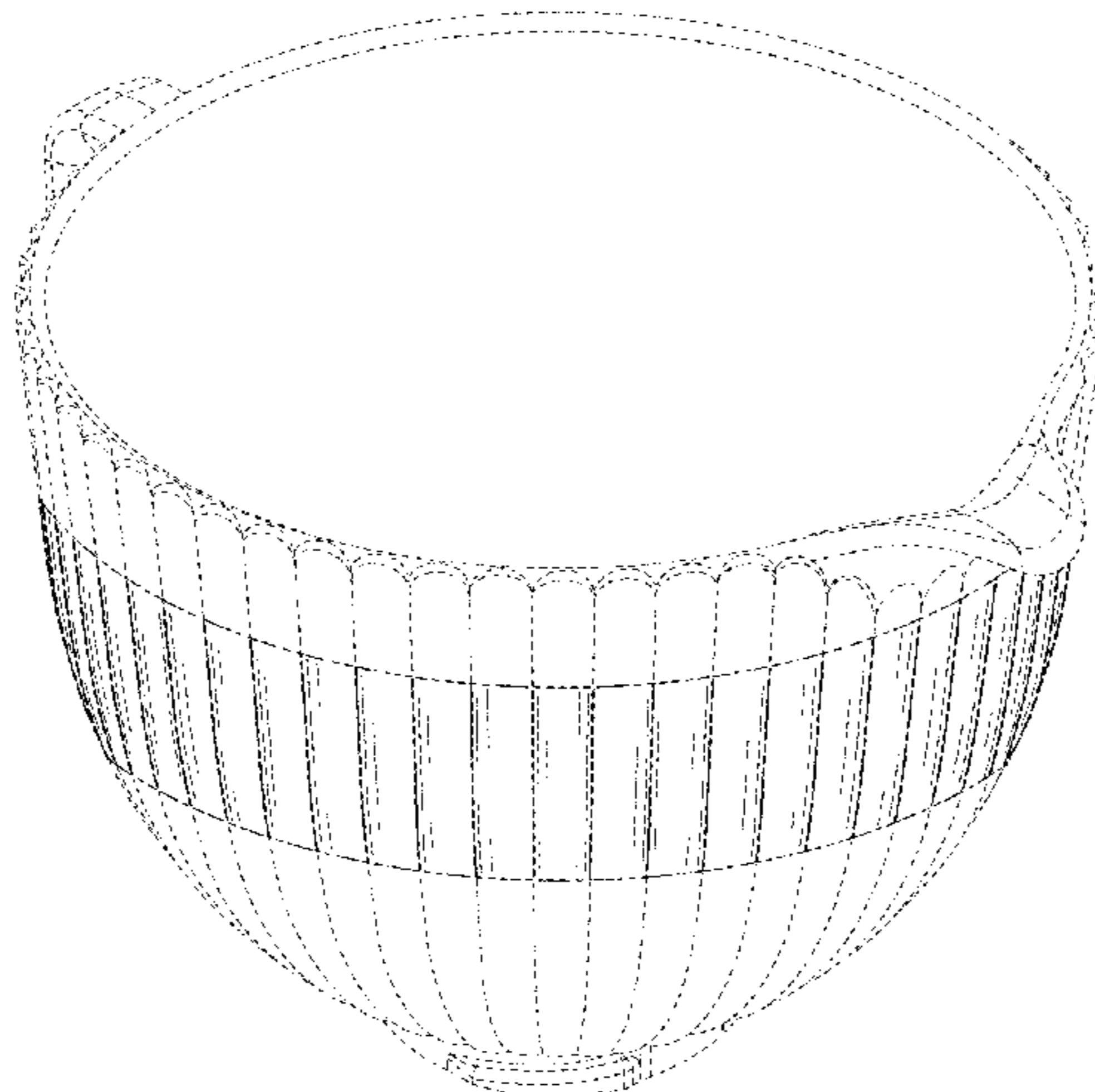
(57) **CLAIM**

The ornamental design for a mixing bowl, as shown and  
described.

**DESCRIPTION**

FIG. 1 is a perspective view of a mixing bowl according to  
the design;  
FIG. 2 is a front elevation view thereof;  
FIG. 3 is a back elevation view thereof;  
FIG. 4 is a left side elevation view thereof, a right side  
elevation view being a mirror image of the left side elevation  
view;  
FIG. 5 is a top plan view thereof; and,  
FIG. 6 is a bottom plan view thereof.

(Continued)



The portions of the article shown in even broken lines form no part of the claimed design.

Dash-dot-dash broken lines indicate bounds of the claimed design and form no part thereof.

**1 Claim, 6 Drawing Sheets**

(56)

**References Cited**

U.S. PATENT DOCUMENTS

D241,265 S \* 8/1976 Rothbauer ..... D11/154  
 4,326,389 A 4/1982 Frost  
 D266,724 S \* 11/1982 Durand ..... D7/526  
 D269,931 S \* 8/1983 Durand ..... D7/562  
 D270,417 S \* 9/1983 Thrush ..... D7/562  
 D287,560 S \* 1/1987 Thrush ..... D7/562  
 4,696,166 A 9/1987 Bukoschek et al.

4,885,917 A 12/1989 Spector  
 D323,097 S \* 1/1992 Picozza ..... D7/565  
 D324,324 S \* 3/1992 Picozza ..... D7/565  
 5,106,199 A 4/1992 Eckel et al.  
 6,205,806 B1 3/2001 Huang  
 D569,684 S \* 5/2008 Eide ..... D7/396.1  
 D651,892 S \* 1/2012 Riales ..... D9/429  
 D748,437 S \* 2/2016 Goodman ..... D7/584  
 D750,420 S \* 3/2016 Hu ..... D7/354  
 9,497,987 B2 11/2016 Jossem  
 2014/0050045 A1 2/2014 Hoare et al.  
 2017/0042179 A1 2/2017 Thomas  
 2017/0225879 A1 8/2017 Stein et al.  
 2020/0009520 A1 1/2020 Kellenberger et al.  
 2020/0245638 A1 8/2020 Crema et al.

FOREIGN PATENT DOCUMENTS

GB 2144208 A 2/1985  
 WO 03055326 A1 7/2003

\* cited by examiner

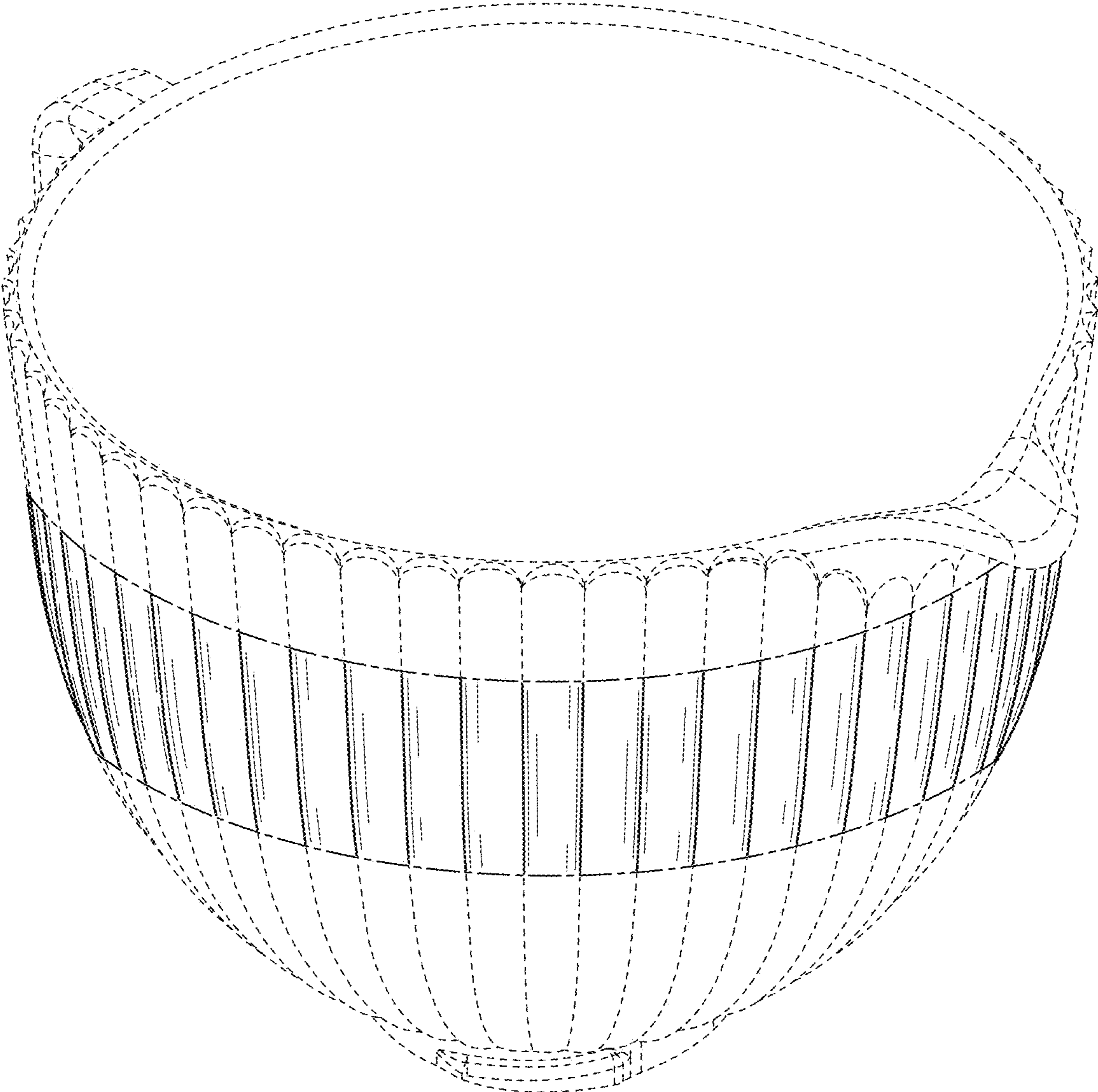


FIG. 1

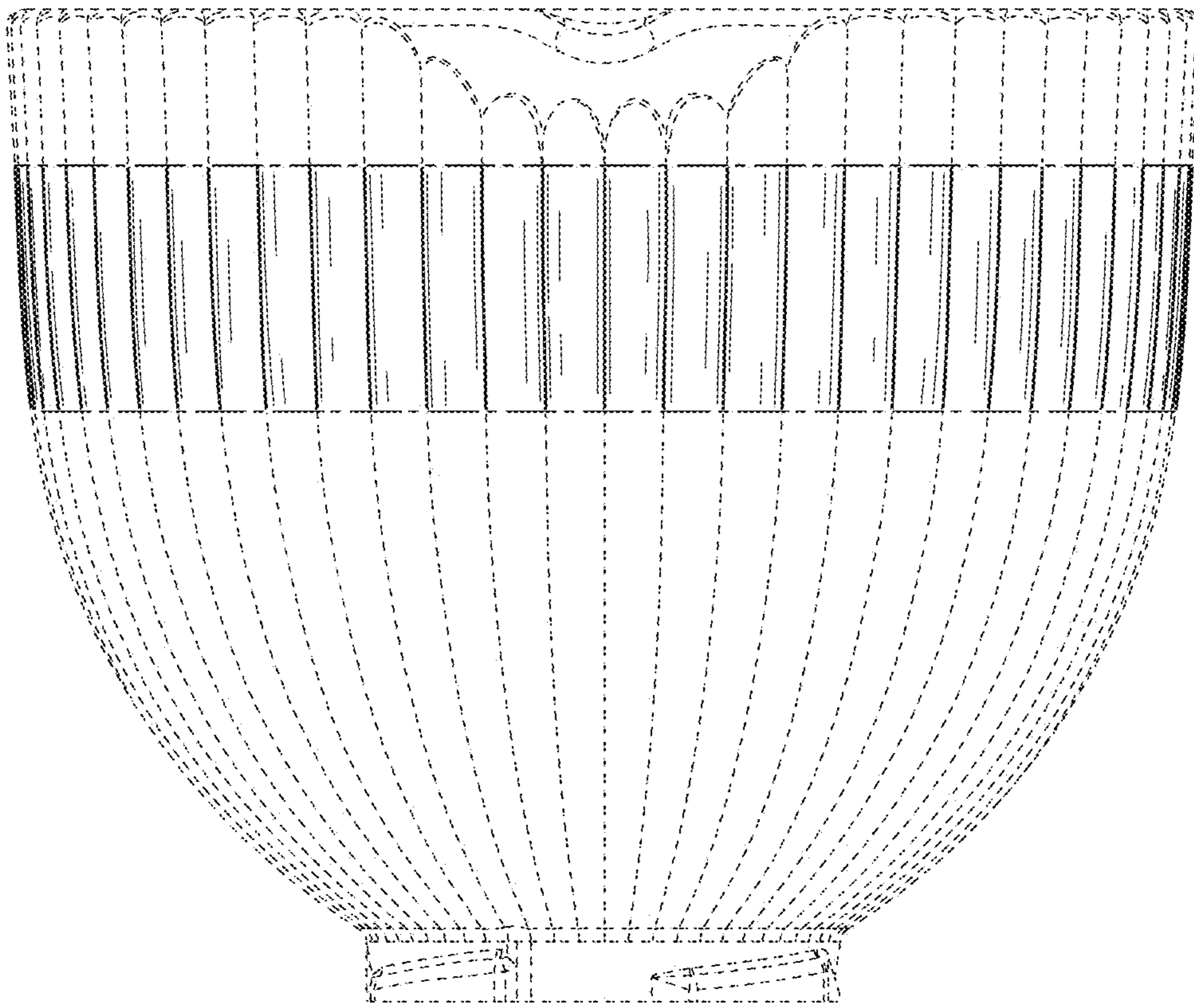


FIG. 2



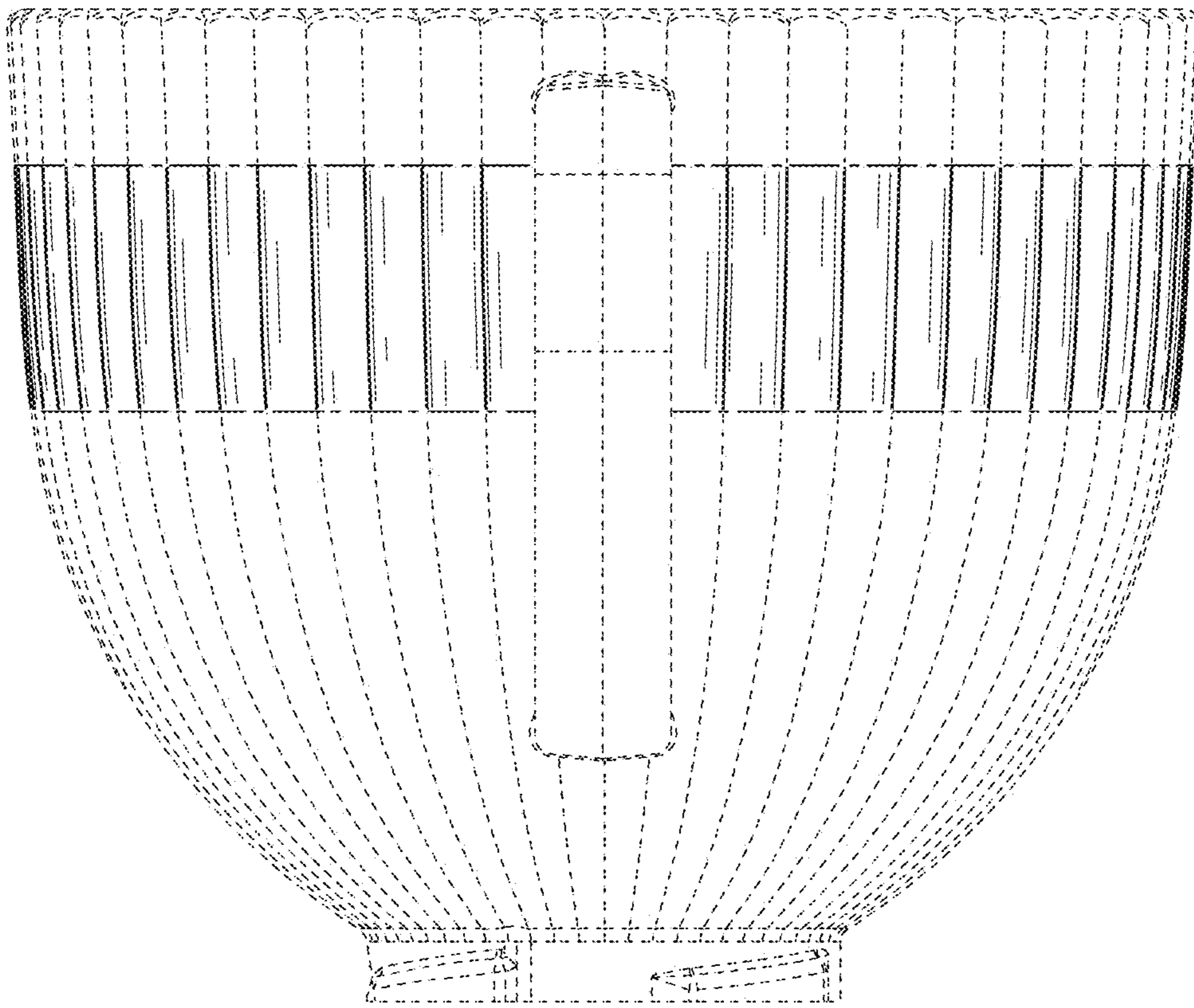


FIG. 3

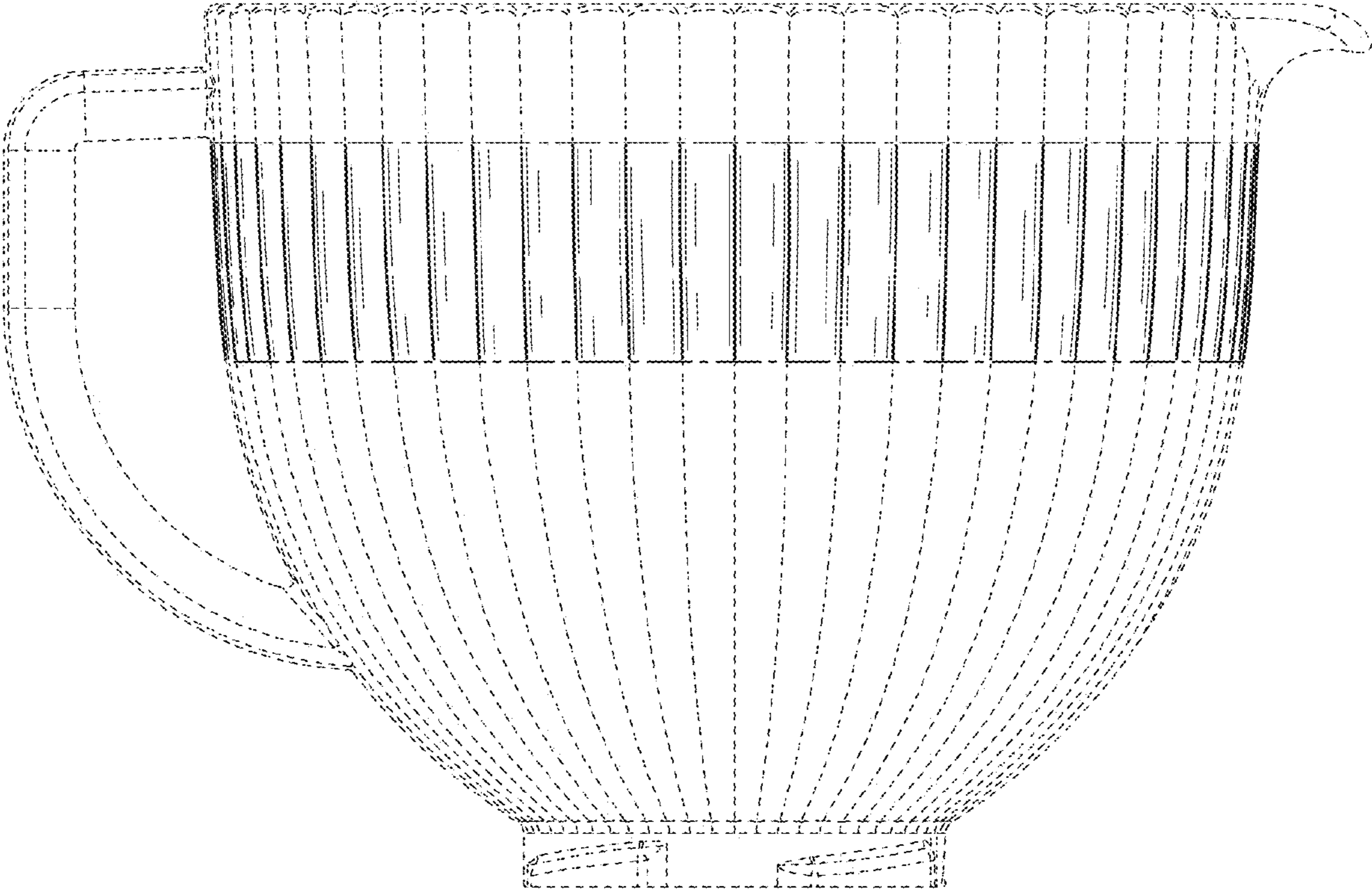


FIG. 4

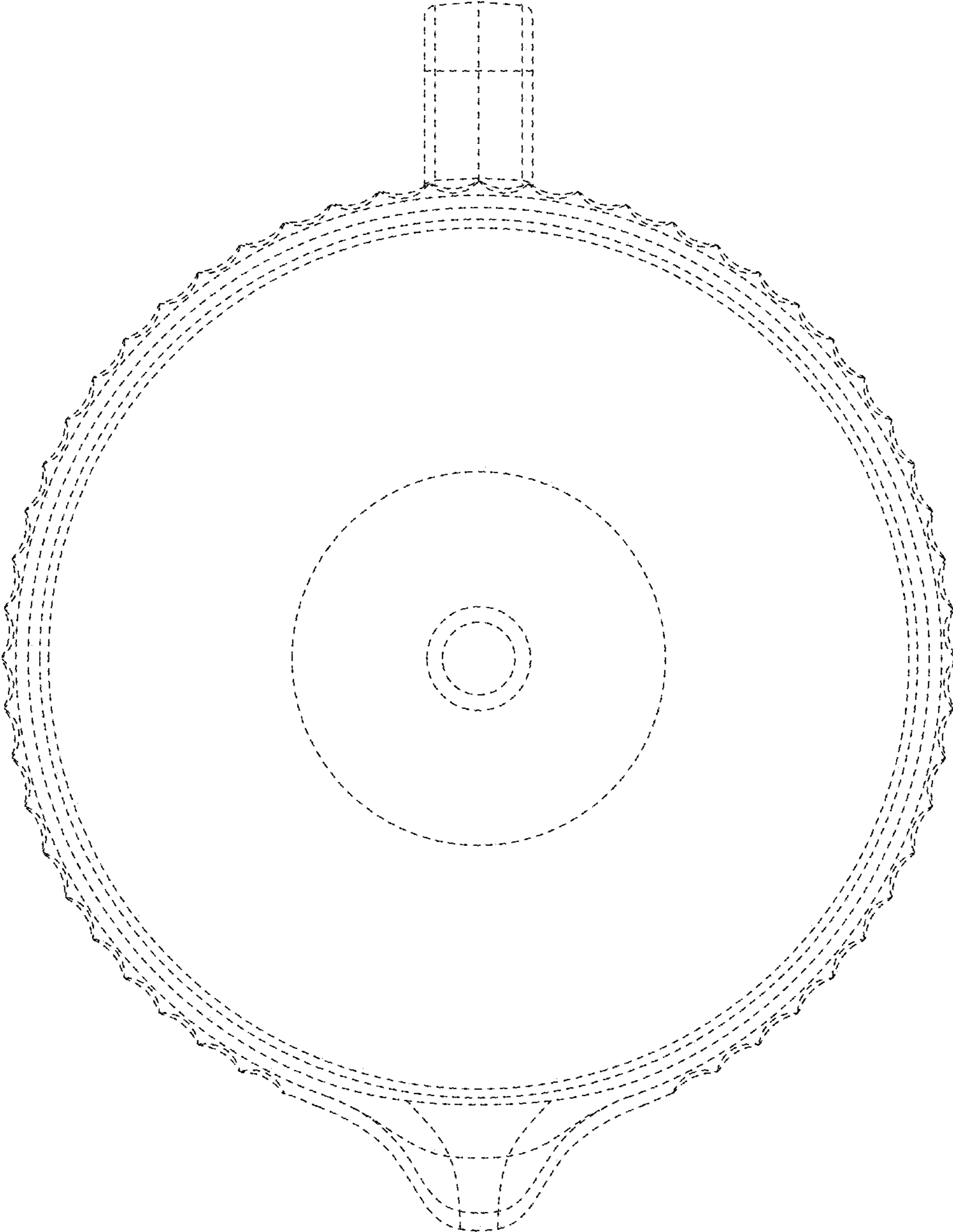


FIG. 5

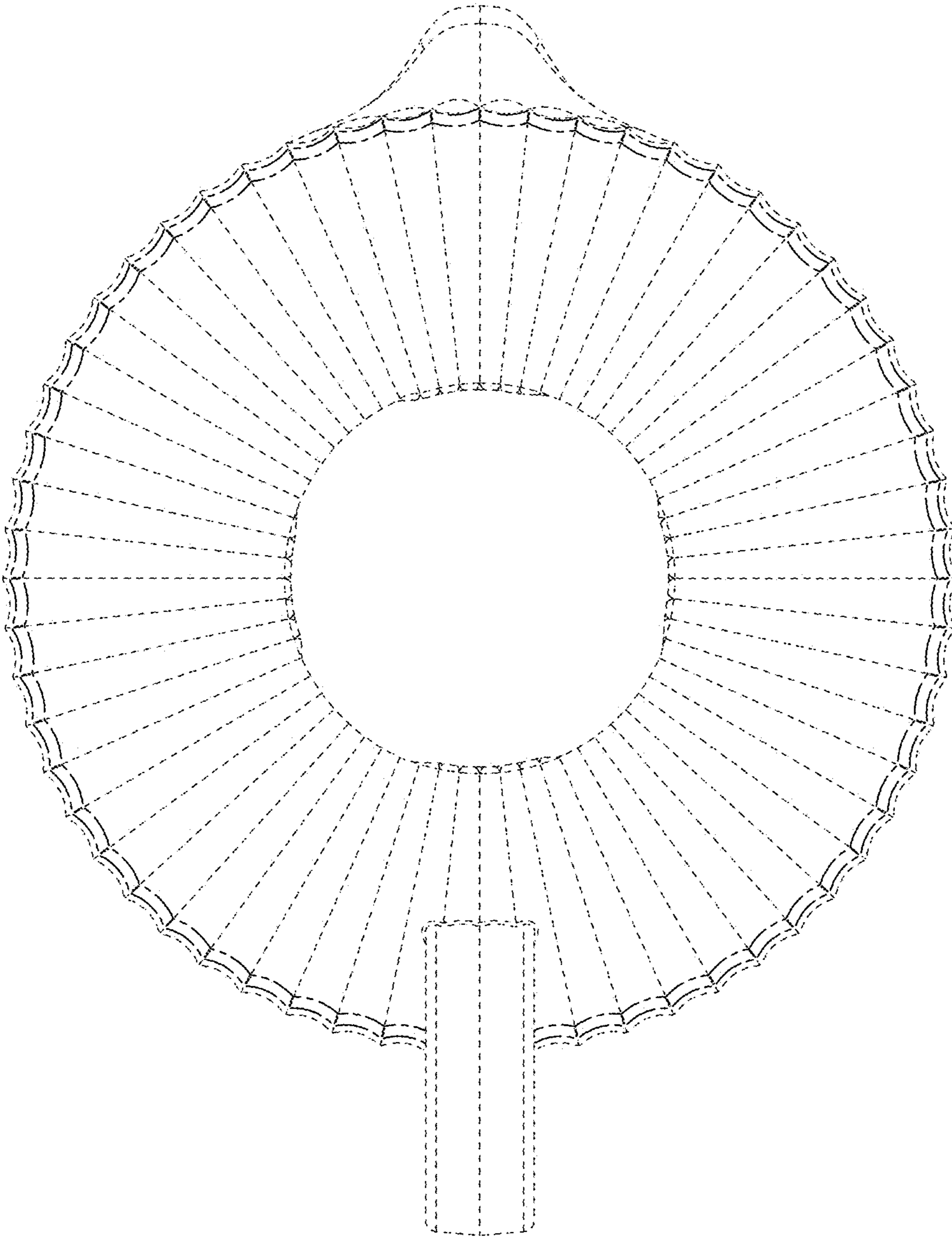


FIG. 6