



US00D964802S

(12) **United States Design Patent** (10) **Patent No.:** **US D964,802 S**  
**Zemel et al.** (45) **Date of Patent:** **\*\* Sep. 27, 2022**

(54) **TOPPER SET** 4,428,281 A \* 1/1984 Miller ..... A47J 37/067  
 99/450  
 (71) Applicant: **Mr. Bar-B-Q Products LLC**, Melville, 4,432,334 A 2/1984 Holt  
 NY (US) D334,505 S \* 4/1993 Gropman ..... A47J 37/067  
 D7/359

(Continued)

(72) Inventors: **Marc Zemel**, Melville, NY (US);  
**Joanne Rudis**, Melville, NY (US)

FOREIGN PATENT DOCUMENTS

(73) Assignee: **MR. BAR-B-Q PRODUCTS LLC**,  
 Hauppauge, NY (US)

CA 132597 S 7/2010  
 CA 135057 S 11/2010

(\*\*) Term: **15 Years**

OTHER PUBLICATIONS

(21) Appl. No.: **29/770,754**

Design U.S. Appl. No. 29/659,650, filed Aug. 10, 2018, entitled "Pattern", first named inventor: Marc Zemel.

(22) Filed: **Feb. 16, 2021**

(51) **LOC (13) Cl.** ..... **07-02**

*Primary Examiner* — Joseph Kukella

(52) **U.S. Cl.**

*Assistant Examiner* — Darryl J Dardenne

USPC ..... **D7/409**

(74) *Attorney, Agent, or Firm* — Carter, DeLuca & Farrell LLP

(58) **Field of Classification Search**

USPC ..... D7/346, 354, 356, 359, 360, 362, 409  
 CPC .. A47J 36/022; A47J 37/0694; A47J 37/0786;  
 A47J 37/067; A47J 37/07; A47J 37/0704;  
 A47J 43/18; A47J 37/10; A47J 37/1295  
 See application file for complete search history.

(57) **CLAIM**

The ornamental design for a topper set, as shown and described.

**DESCRIPTION**

(56) **References Cited**

U.S. PATENT DOCUMENTS

386,599 A	7/1888	Neville
828,330 A	8/1900	Mooney
747,700 A	12/1903	Grimm
1,091,877 A	3/1914	Collis
1,345,119 A	6/1920	Biddle
1,386,643 A	8/1921	Mironchuk
2,323,916 A	7/1943	Katz
2,501,104 A	3/1950	Smith
2,614,514 A	10/1952	Martindale et al.
D179,054 S	10/1956	Beeler
2,780,163 A	2/1957	Lee
2,986,138 A	11/1957	Moore et al.
3,075,798 A	1/1963	Smith
3,084,617 A	4/1963	Jamentz

FIG. 1 is a top perspective view of a topper set illustrating its individual elements together in accordance with the present design;

FIG. 2 is a right side elevational view thereof;

FIG. 3 is a left side elevational view thereof;

FIG. 4 is a front elevational view thereof;

FIG. 5 is a rear elevational view thereof;

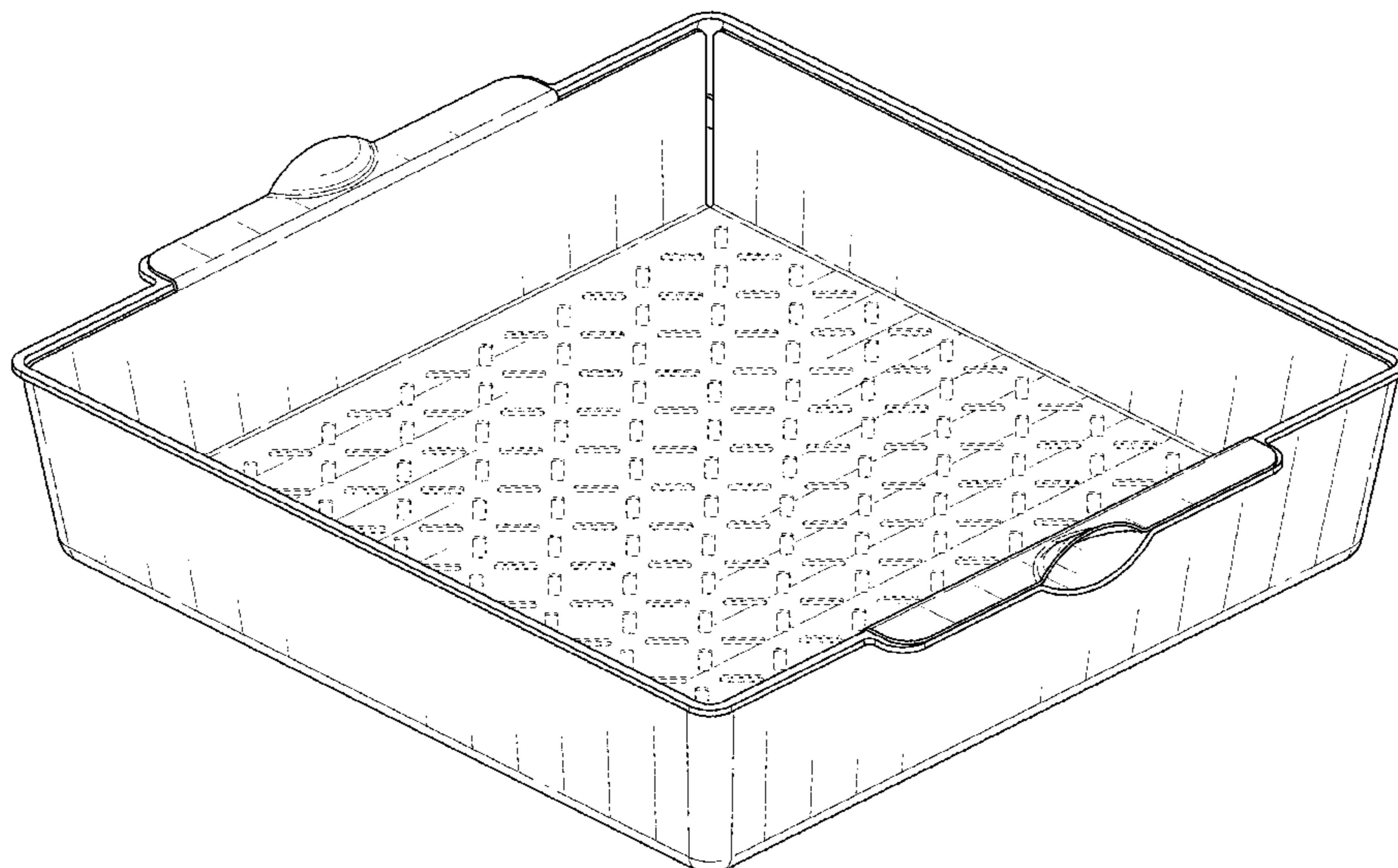
FIG. 6 is a top plan view thereof;

FIG. 7 is a bottom plan view thereof; and,

FIG. 8 is a perspective view of the topper set illustrating its individual elements separated in accordance with the present design.

The broken lines shown in the drawings illustrate portions of the topper set that form no part of the claimed design.

**1 Claim, 6 Drawing Sheets**



(56)

References Cited

U.S. PATENT DOCUMENTS

5,211,105	A *	5/1993	Liu	.....	A47J 37/067	D624,787	S *	10/2010	Adams	.....	D7/409
					99/413	D635,825	S *	4/2011	Borovicka	.....	D7/409
5,299,931	A	4/1994	Lee			D648,175	S	11/2011	Zemel		
D417,124	S *	11/1999	Chen	.....	99/421 H	D650,632	S	12/2011	Zemel		
D423,867	S	5/2000	Cael et al.			D651,043	S *	12/2011	Sarnoff	.....	D7/354
6,065,384	A	5/2000	Gelderman			D658,942	S *	5/2012	Borovicka	.....	D7/409
6,164,194	A	12/2000	Westmoreland			D668,506	S	10/2012	Zemel		
6,213,005	B1 *	4/2001	Sherman	.....	A47J 27/002	D679,133	S *	4/2013	Borovicka	.....	D7/402
					220/573.1	D761,614	S	7/2016	Zemel		
6,457,594	B1	10/2002	Tiemann			D774,349	S	12/2016	Zemel		
7,339,138	B1	3/2008	Brooks			D784,077	S	4/2017	Zemel		
7,587,973	B2	9/2009	Kaliveh et al.			D793,161	S *	8/2017	Fullmer	.....	D7/354
D604,556	S	11/2009	Zemel			D804,235	S *	12/2017	Affatato	.....	D7/354
D608,146	S	1/2010	Zemel			D823,639	S *	7/2018	Gabbay	.....	D7/359
D618,043	S	6/2010	Zemel			D824,726	S *	8/2018	Gershkow	.....	D7/354
D618,957	S	7/2010	Zemel			D825,979	S *	8/2018	Levy	.....	D7/359
D620,307	S	7/2010	Zemel			D836,379	S *	12/2018	Lee	.....	D7/359
D621,217	S	8/2010	Zemel			D840,749	S	2/2019	Zemel		
D621,655	S *	8/2010	Zemel	.....	D7/409	D855,384	S *	8/2019	Lee	.....	D7/409
						D892,545	S	8/2020	Zemel		
						D896,030	S *	9/2020	Thompson	.....	D7/360

\* cited by examiner

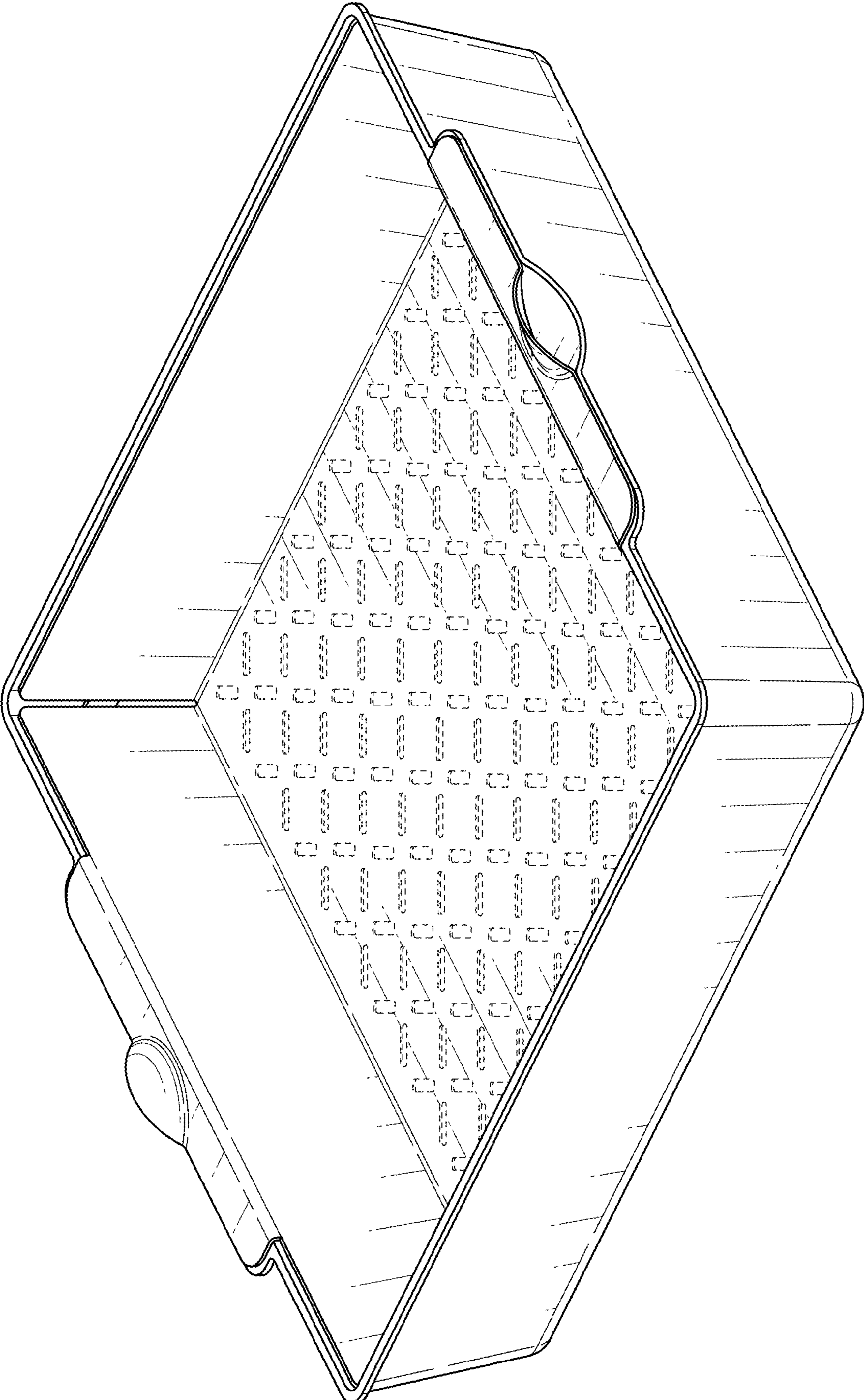


FIG. 1

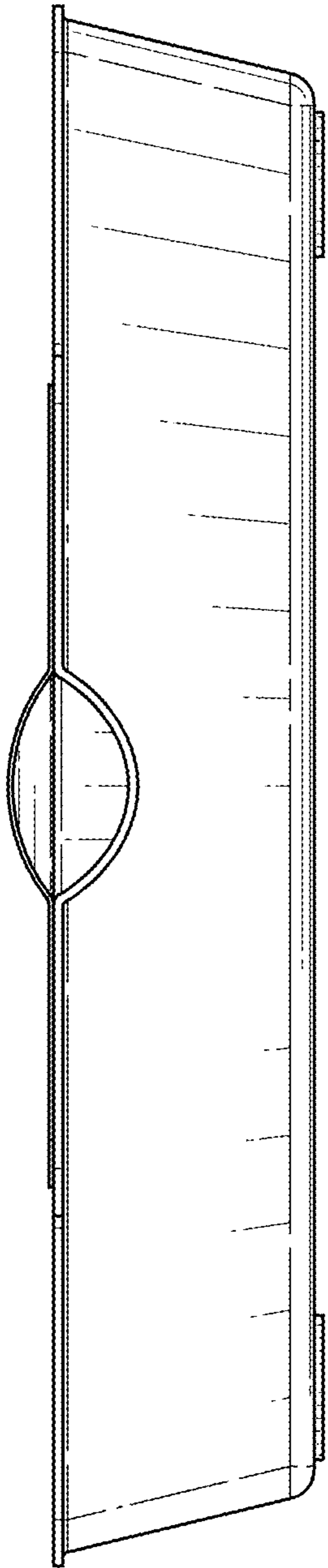


FIG. 2

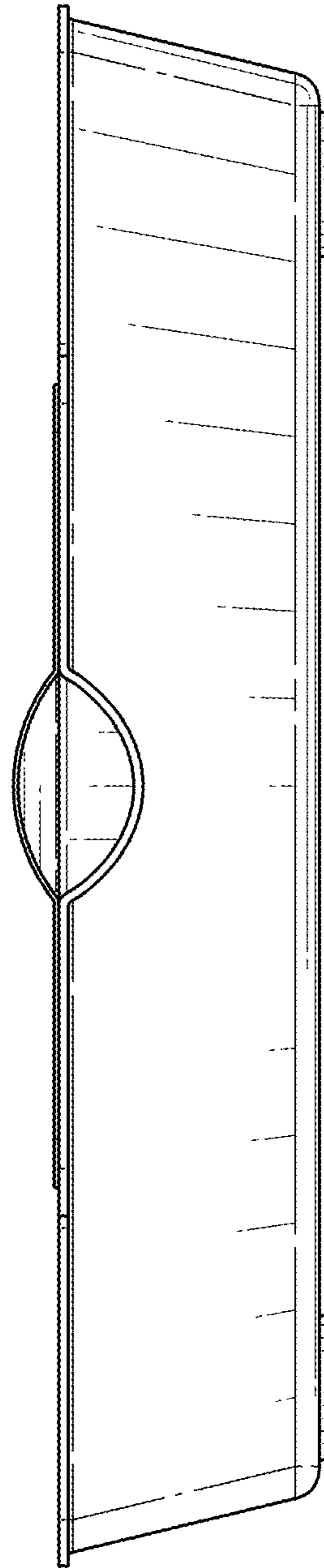


FIG. 3

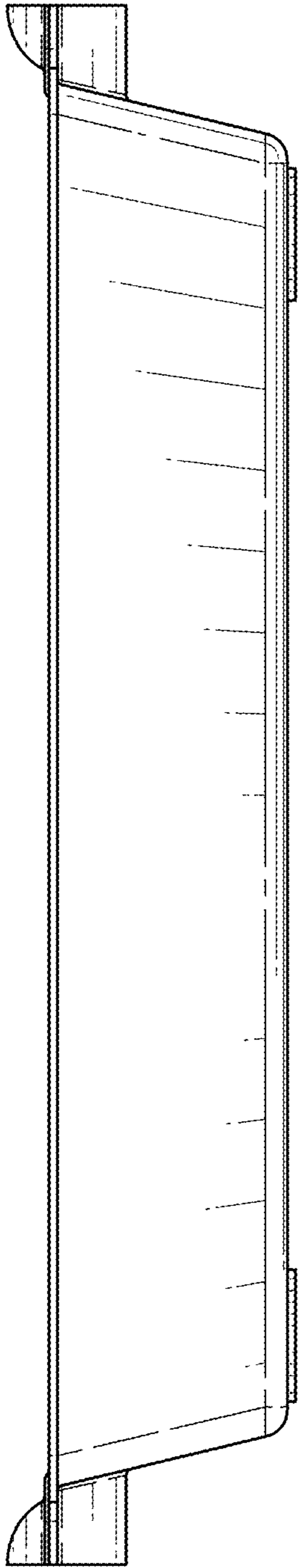


FIG. 4

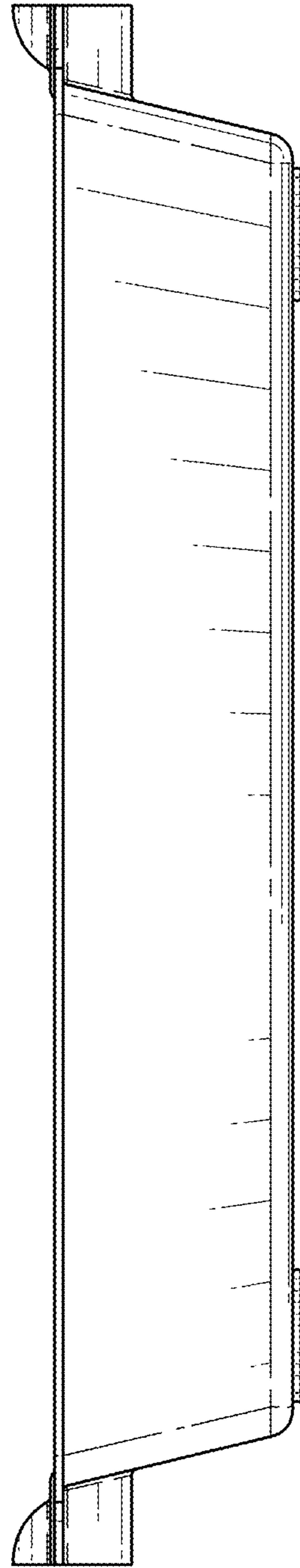


FIG. 5

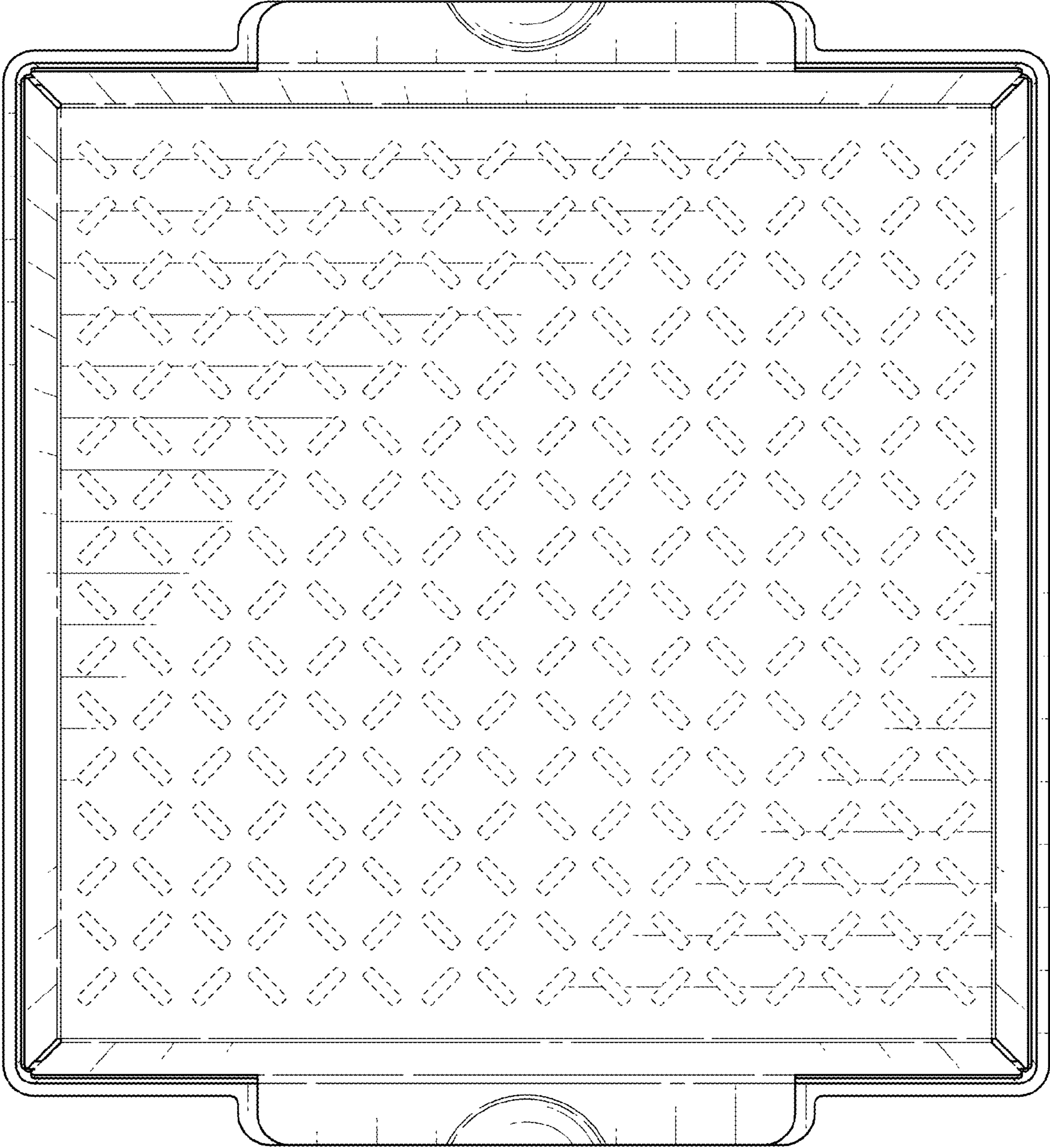


FIG. 6

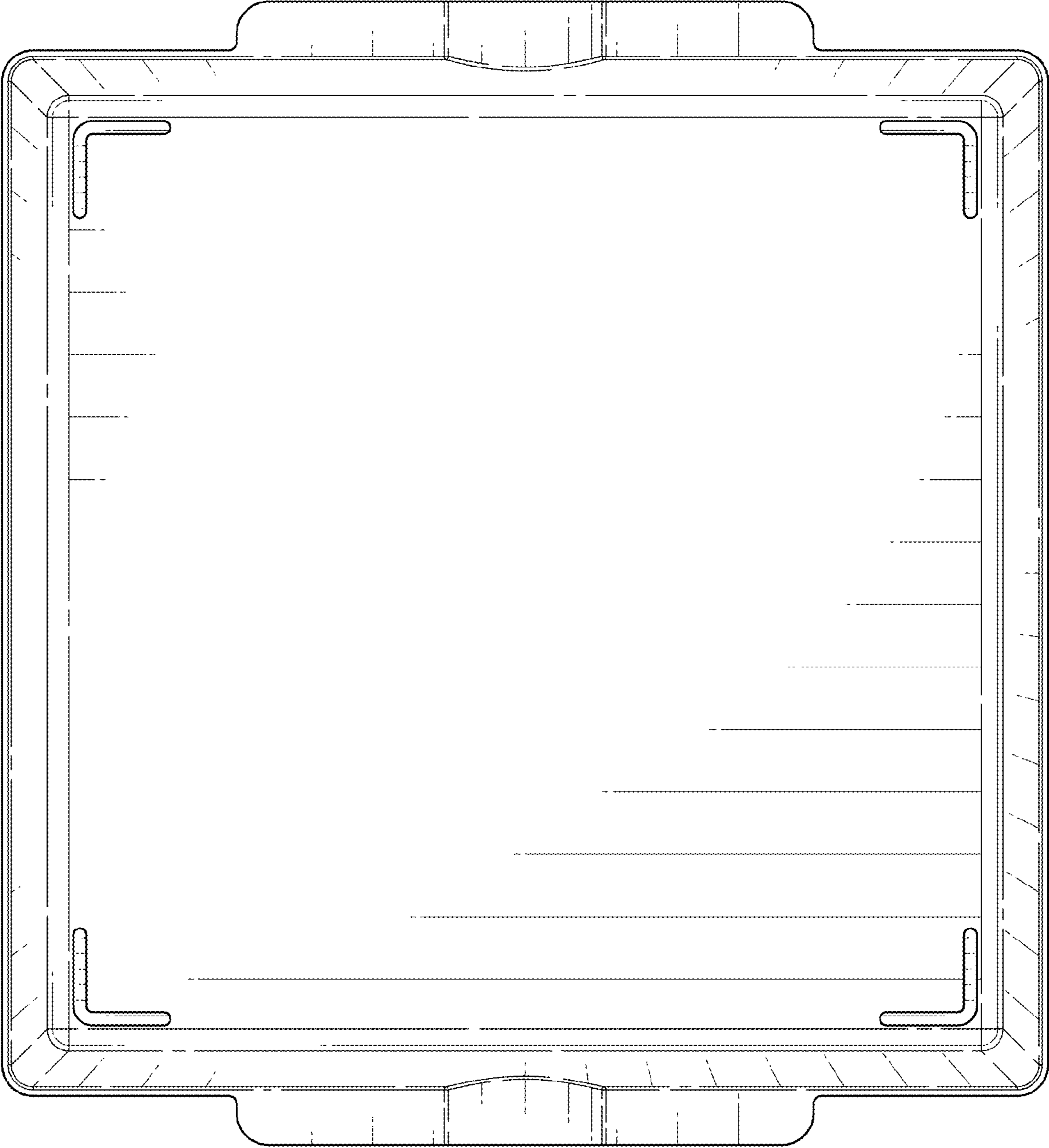


FIG. 7

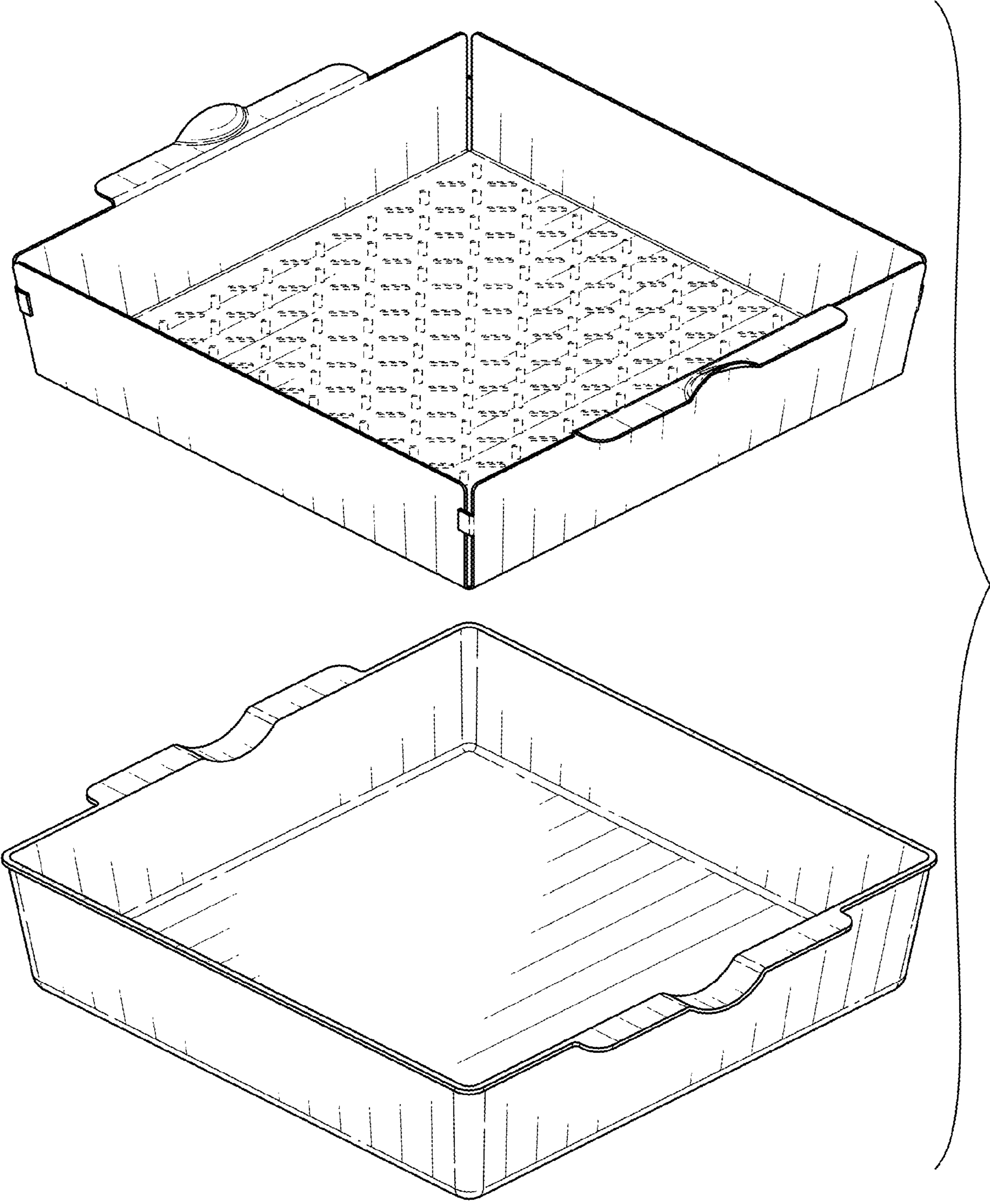


FIG. 8