



US00D964801S

(12) **United States Design Patent** (10) **Patent No.:** **US D964,801 S**  
**Yang** (45) **Date of Patent:** **\*\* Sep. 27, 2022**

(54) **GAP COVER**

(71) Applicant: **Xiaobin Yang**, Shenzhen (CN)

(72) Inventor: **Xiaobin Yang**, Shenzhen (CN)

(\*\*) Term: **15 Years**

(21) Appl. No.: **29/831,720**

(22) Filed: **Mar. 22, 2022**

(51) **LOC (13) Cl.** ..... **07-02**

(52) **U.S. Cl.**  
USPC ..... **D7/406**

(58) **Field of Classification Search**  
USPC ..... D8/394, 395; D6/719; D25/164, 136,  
D25/55; D7/406, 407  
CPC ..... A47J 47/19; A47B 2077/027; A47B  
2200/0007; B29C 48/07; D06F 39/12;  
E06B 3/67356; E06B 3/663; E06B 1/00;  
E06B 1/003; E06B 1/045; E06B 1/62;  
E06B 7/36; E06B 7/362; E04F 13/0892;  
E04F 13/076; E04F 13/0841; E04F  
15/142; E04F 19/022; E04F 19/0463;  
F24C 15/12

See application file for complete search history.

(56) **References Cited**

**U.S. PATENT DOCUMENTS**

2,138,470	A *	11/1938	Bischof	.....	E04F 19/022 52/459
2,198,287	A *	4/1940	Ladon	.....	E04F 19/022 52/718.05
6,173,542	B1 *	1/2001	Wright	.....	E06B 1/62 52/211
7,150,166	B2	12/2006	Braun		
D543,287	S *	5/2007	Neuhofer, Jr.	.....	D25/136
D621,076	S *	8/2010	Vibiano	.....	D25/164
8,196,931	B2	6/2012	Burgess		
D689,200	S *	9/2013	Elizarraras	.....	D25/55

D734,499	S *	7/2015	Batres	.....	D25/55
D737,999	S *	9/2015	Koebbe	.....	D25/164
9,249,585	B1 *	2/2016	Swindle	.....	E06B 3/9632
D778,110	S *	2/2017	Lee	.....	D7/406
10,464,748	B2	11/2019	Akerberg		
D922,186	S *	6/2021	Schneider	.....	D8/394
2017/0299197	A1	10/2017	Hubener		

**FOREIGN PATENT DOCUMENTS**

CA	2877624	A1	7/2015
CN	207213147	U	4/2018
EM	3025617	A3	9/2016

\* cited by examiner

*Primary Examiner* — Doris Clark

(74) *Attorney, Agent, or Firm* — RC Trademark Company

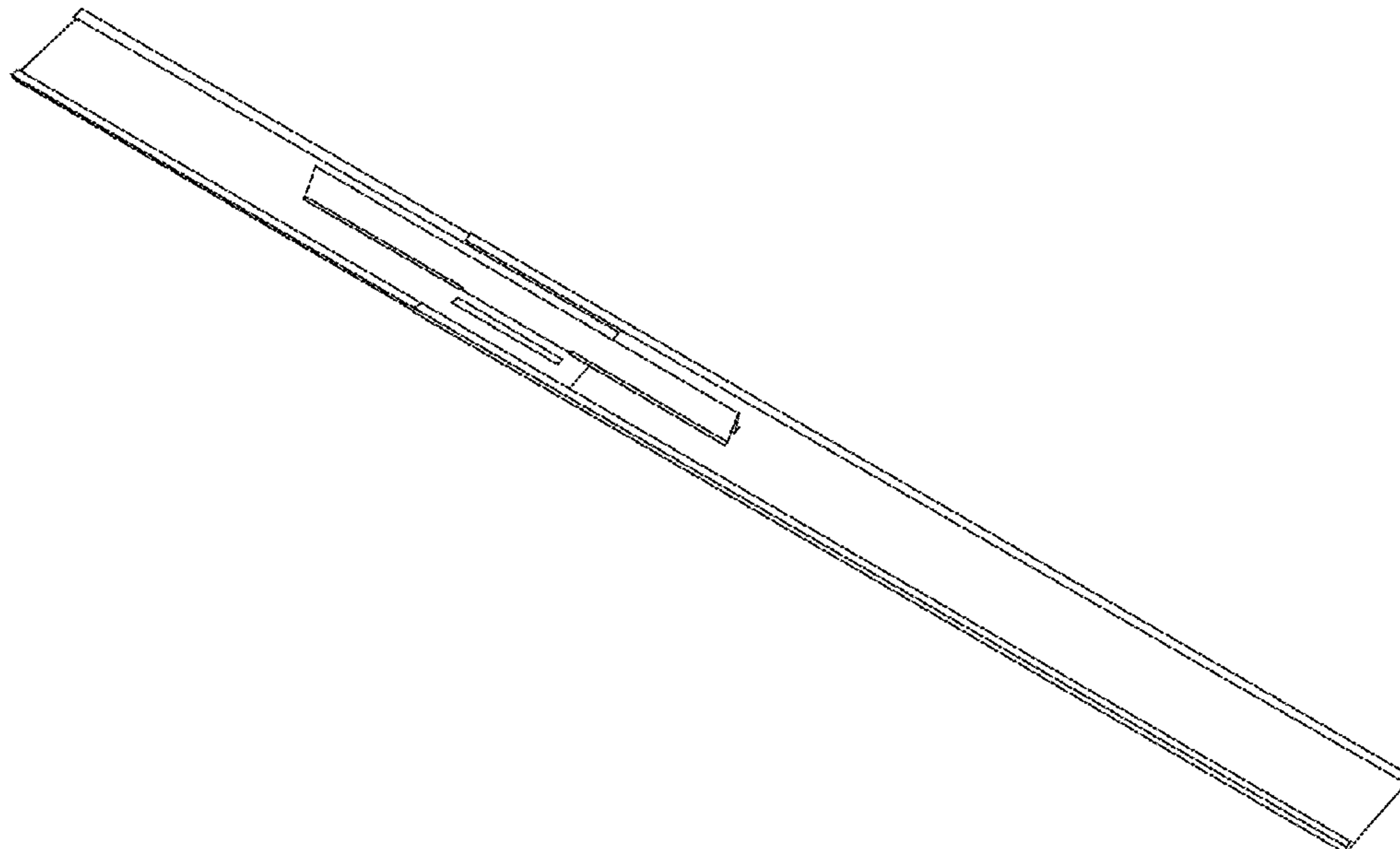
(57) **CLAIM**

The ornamental design for a gap cover, as shown and described.

**DESCRIPTION**

FIG. 1 is a perspective view of a gap cover.  
 FIG. 2 is a right-side view of the gap cover of FIG. 1.  
 FIG. 3 is a left side view of the gap cover of FIG. 1.  
 FIG. 4 is a front view of the gap cover of FIG. 1.  
 FIG. 5 is a back view of the gap cover of FIG. 1.  
 FIG. 6 is a top view of the gap cover of FIG. 1.  
 FIG. 7 is a bottom view of the gap cover of FIG. 1.  
 FIG. 8 is a bottom view of the gap cover of FIG. 1 in a disassembled configuration.  
 FIG. 9 is a top view of the gap cover of FIG. 1 in a disassembled configuration.  
 FIG. 10 is a left side view of the gap cover of FIG. 1 in a disassembled configuration; and,  
 FIG. 11 is a left-side view of the gap cover of FIG. 10 shown in adjusted and in an assembled configuration.

**1 Claim, 6 Drawing Sheets**



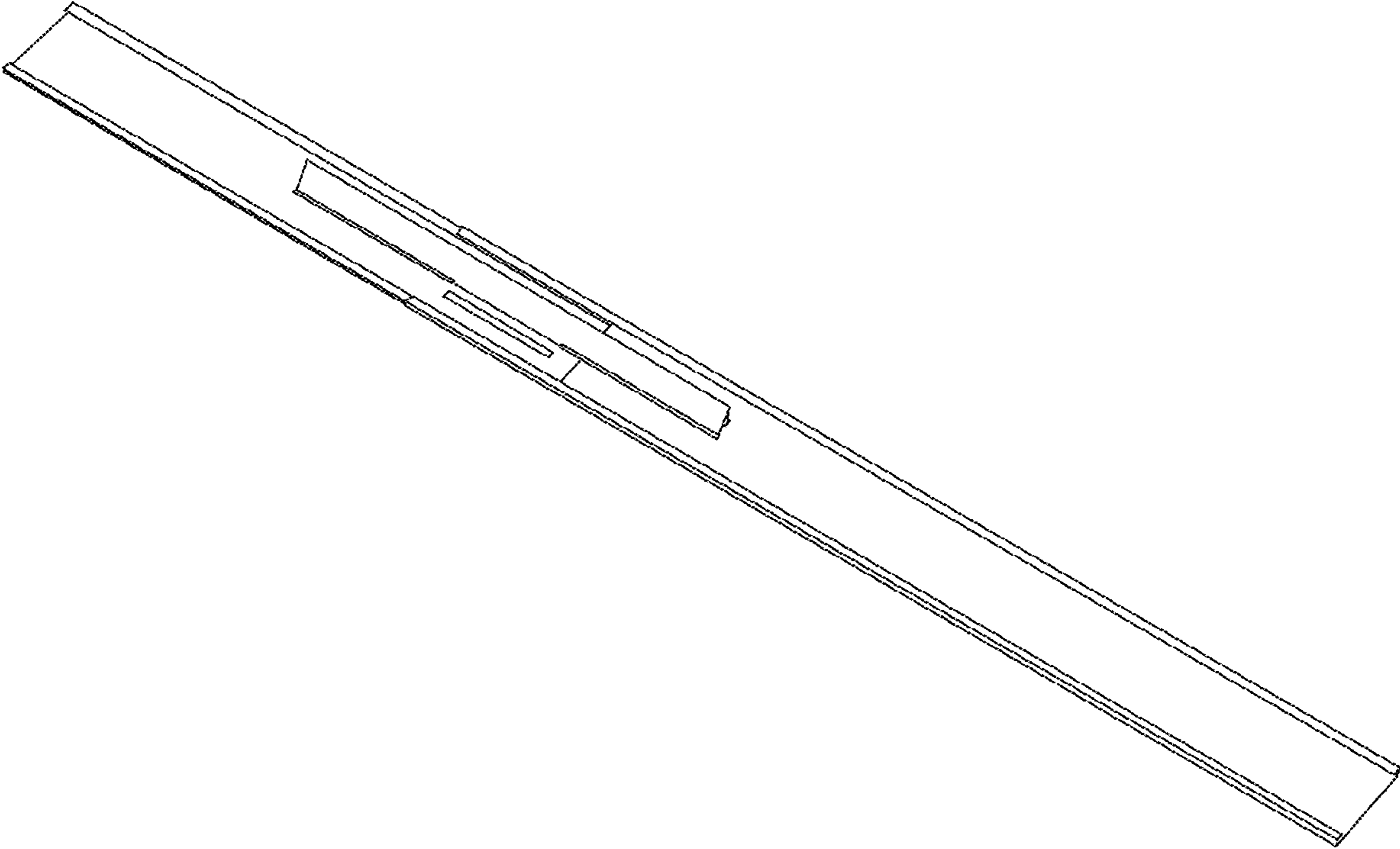


Fig.1



Fig.2



Fig.3

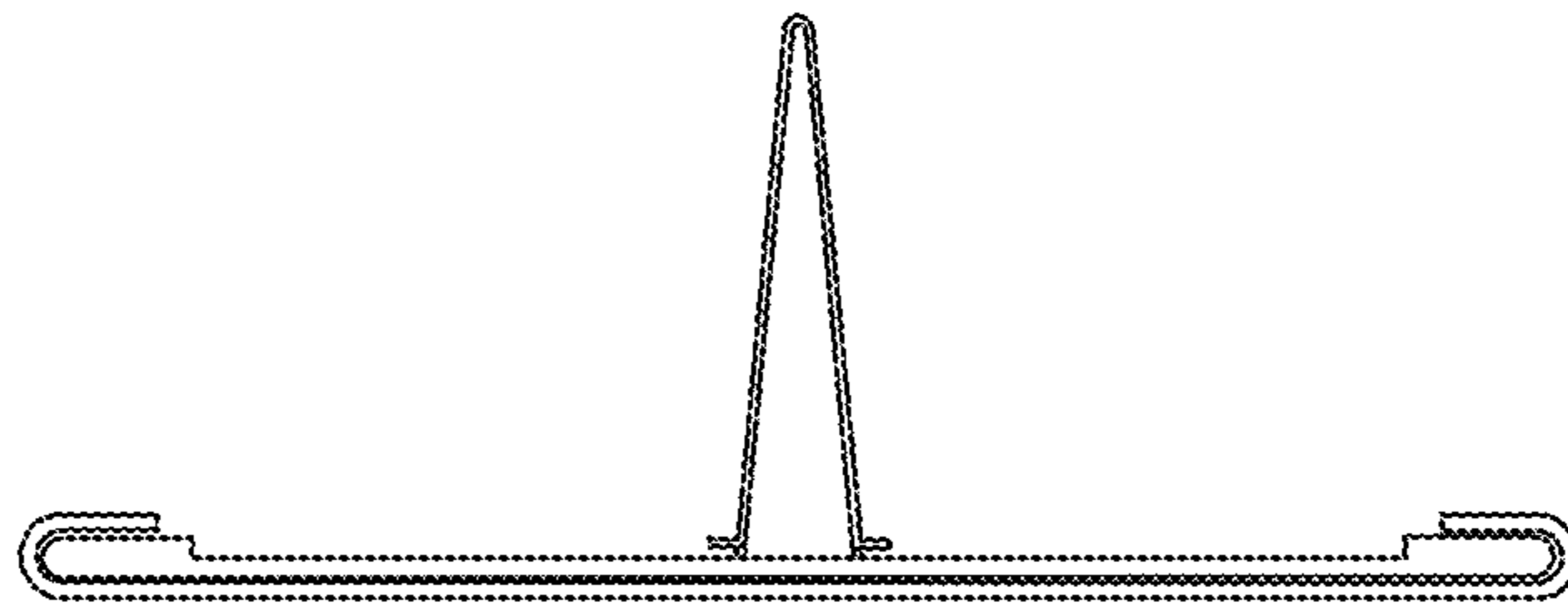


Fig. 4

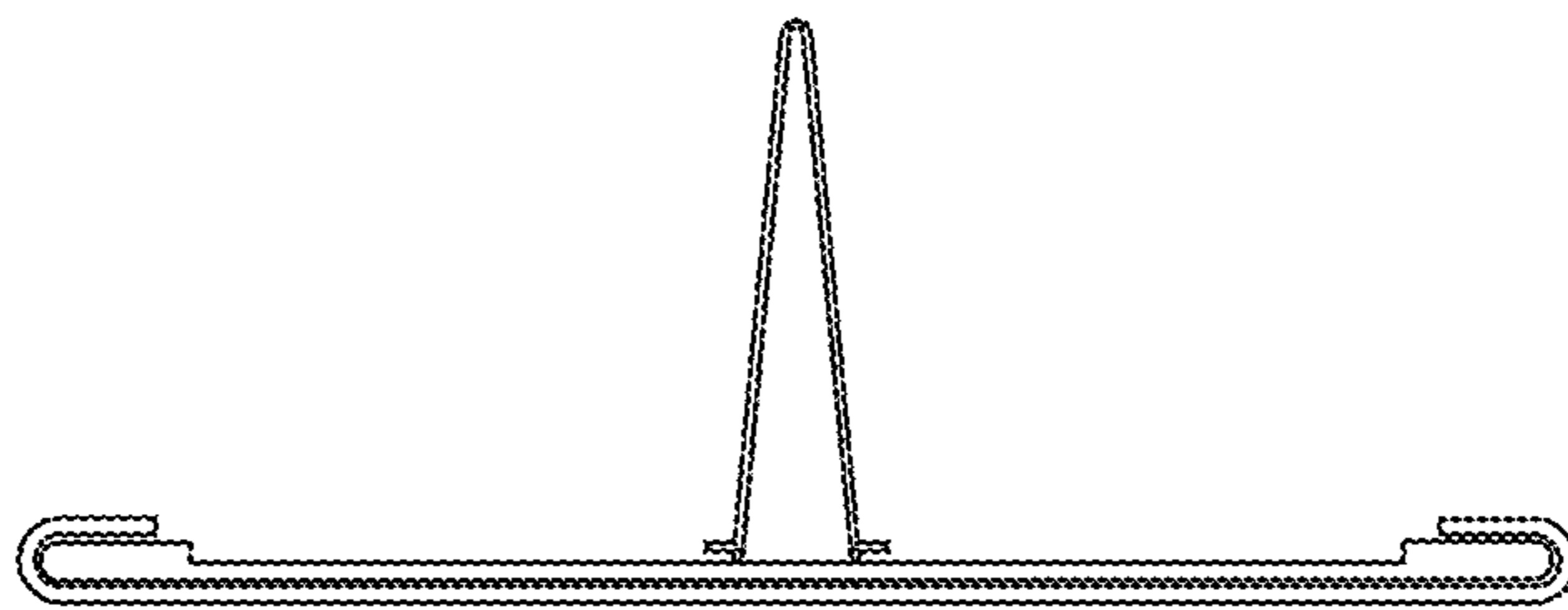


Fig. 5



Fig.6

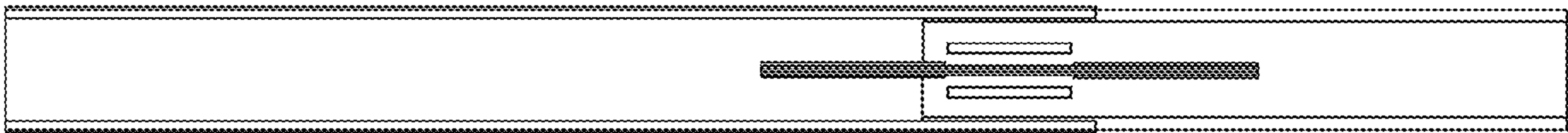


Fig.7



Fig. 8



Fig. 9



Fig. 10



Fig. 11