

US00D964800S

(12) **United States Design Patent** (10) **Patent No.:** **US D964,800 S**
Ross (45) **Date of Patent:** **** Sep. 27, 2022**

- (54) **BOWL FOR A WATER MUG**
- (71) Applicant: **BONGO LLC**, Austin, TX (US)
- (72) Inventor: **Gary Ross**, Oxnard, CA (US)
- (73) Assignee: **SPRINGER PETS**, Austin, TX (US)
- (**) Term: **15 Years**

- (21) Appl. No.: **29/793,341**
- (22) Filed: **Apr. 5, 2022**
- (51) **LOC (13) Cl.** **07-01**
- (52) **U.S. Cl.**
USPC **D7/392.1**; D7/391
- (58) **Field of Classification Search**
USPC D7/310, 319, 323, 354-363, 391, 392,
D7/392.1, 393-396, 396.2, 401.1, 510,
D7/511; D9/435, 440, 447, 454, 523;
D30/121, 132
CPC A47G 19/027; A47G 19/12; A47J 27/00;
A47J 27/002; A47J 27/08; A47J 27/13;
A47J 27/21; A47J 27/58; A47J 36/025;
A47J 36/027; A47J 36/06; A47J 36/12;
A47J 37/00; A47J 37/0704; A47J 37/10;
A47J 37/101; A47J 37/103; A47J 37/12;
A47J 37/1204; A47J 39/02; A47J 45/061;
A47J 45/071; A47J 45/08; B65D
41/0407; H05B 6/12; H05B 6/804; H05B
6/6494; A01K 7/00
See application file for complete search history.

(56) **References Cited**
U.S. PATENT DOCUMENTS

- D399,387 S * 10/1998 Lillelund D7/401.1
- D411,954 S * 7/1999 Williamson D9/440
- D710,695 S * 8/2014 Pritikin D9/435
- 8,807,083 B1 * 8/2014 Ross A01K 7/00
222/207
- D715,146 S * 10/2014 Holmes D9/447

- D736,088 S * 8/2015 Siu D9/523
 - D741,025 S * 10/2015 Ross D30/129
 - D757,547 S * 5/2016 Biswas D9/454
 - D895,904 S * 9/2020 Ross D30/132
 - D895,905 S * 9/2020 Ross D30/132
 - D945,810 S * 3/2022 Fontier D7/400
- (Continued)

OTHER PUBLICATIONS

Springer Growler Travel Dog Water Bottle. Date First Available on Amazon.com Aug. 31, 2021. [https://www.amazon.com/Springer-Growler-Travel-Water-Bottle/dp/B09CH9WYZP/ref=\(Year:2021\).*](https://www.amazon.com/Springer-Growler-Travel-Water-Bottle/dp/B09CH9WYZP/ref=(Year:2021).*)

Primary Examiner — Ricky Pham
(74) *Attorney, Agent, or Firm* — Jonathan E. Grant; Grant Patent Services

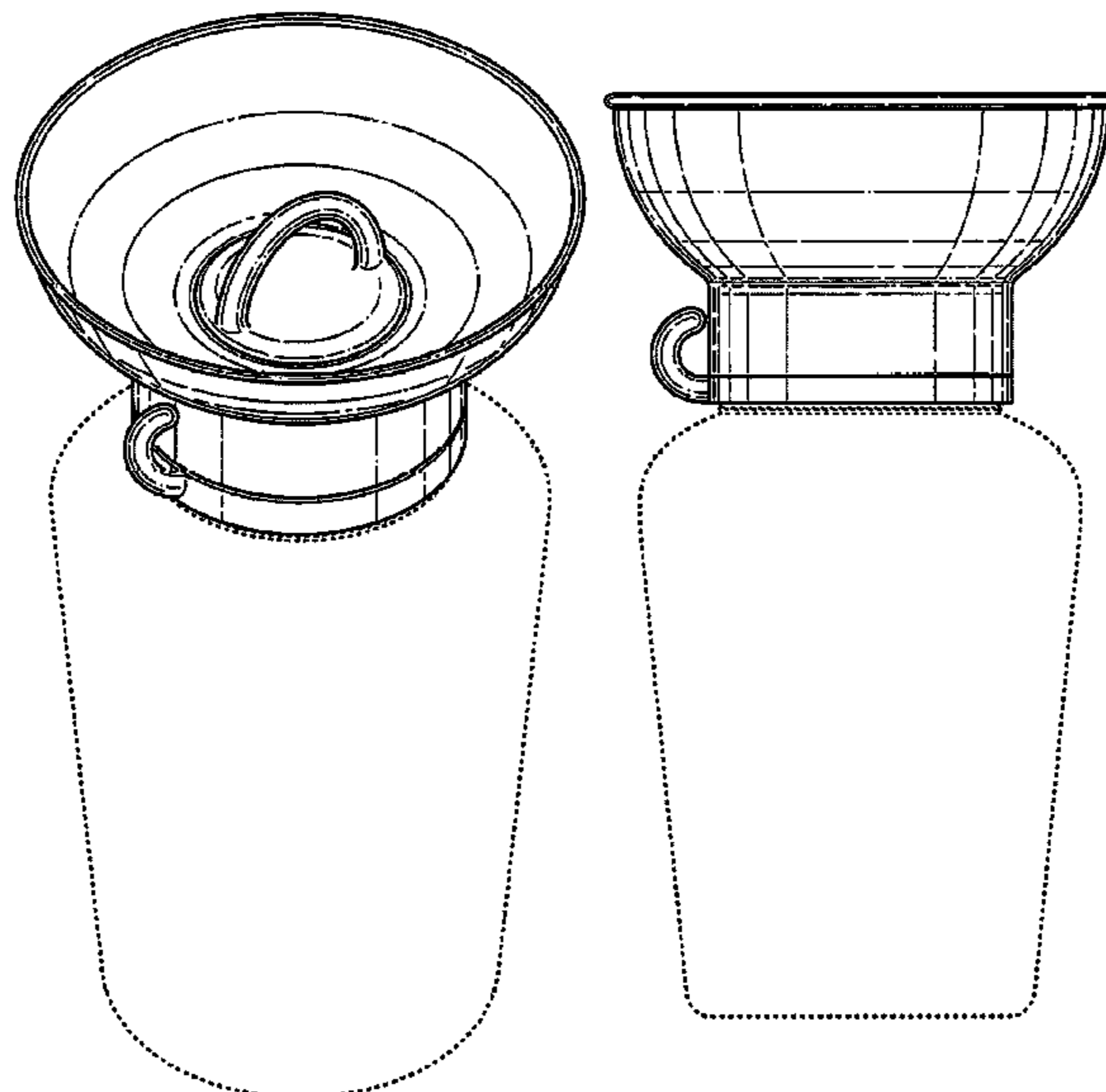
(57) **CLAIM**

The ornamental design for a bowl for a water mug, as shown and described.

DESCRIPTION

FIG. 1—is a a top perspective view of a bowl for a water mug in the upward position, showing the new design;
 FIG. 2—is a left side view thereof;
 FIG. 3—is a right side view thereof;
 FIG. 4—is a front view thereof;
 FIG. 5—is a rear view thereof;
 FIG. 6—is a top plan view thereof;
 FIG. 7—is a bottom plan view thereof;
 FIG. 8—is a top perspective view of the water mug with the water bowl in the downward position;
 FIG. 9 is a left side view of FIG. 8;
 FIG. 10 is a right side view of FIG. 8;
 FIG. 11 is a front side view of FIG. 8; and,
 FIG. 12 is a rear side view of FIG. 8.
 The broken lines shown in the drawings are for illustrative purposes only and form no part of the claimed design.

1 Claim, 7 Drawing Sheets



(56)

References Cited

U.S. PATENT DOCUMENTS

2016/0050884 A1* 2/2016 Ross A01K 7/00
119/74
2016/0366852 A1* 12/2016 Burroughs A01K 7/00

* cited by examiner

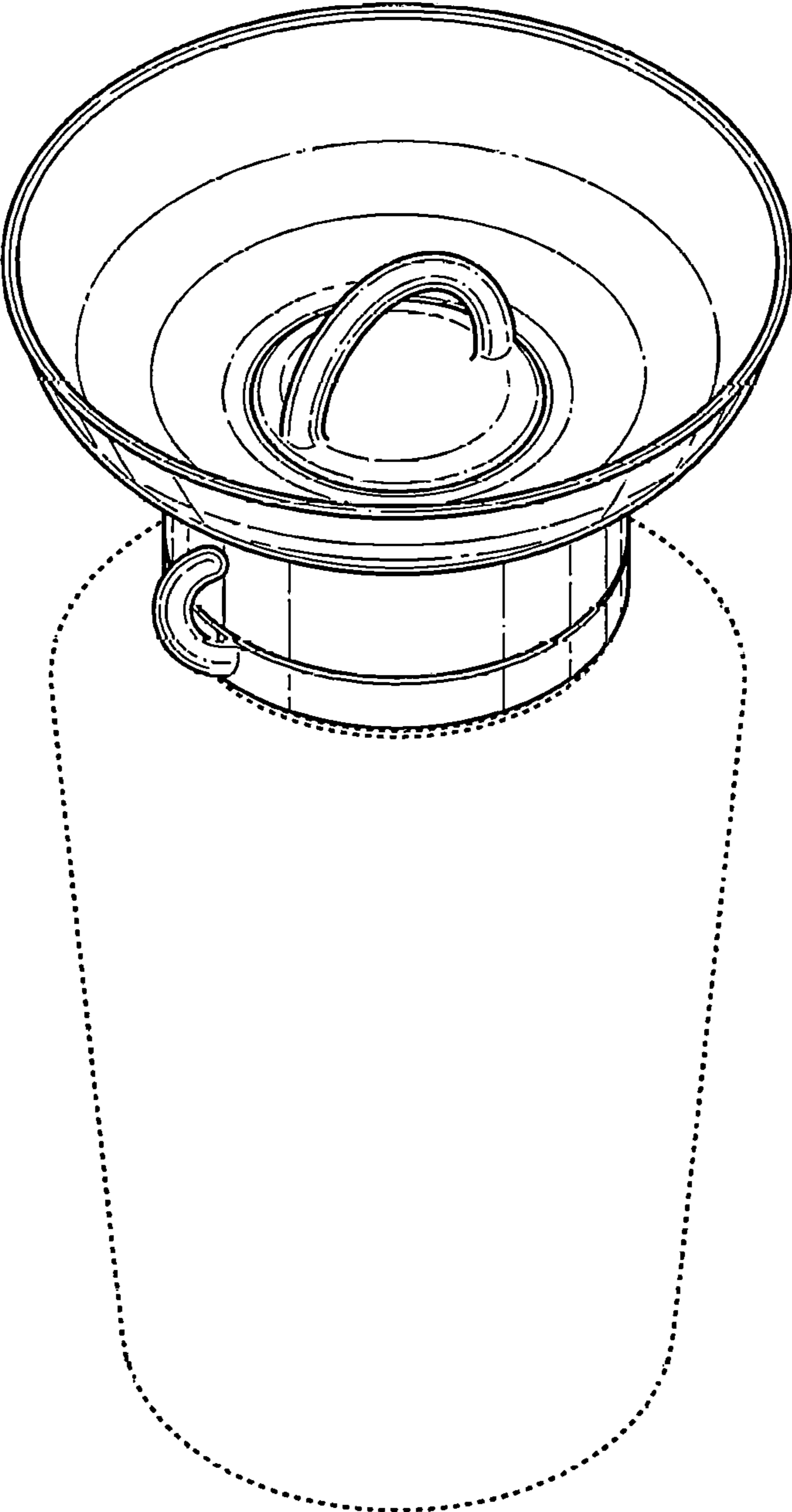


FIG. 1

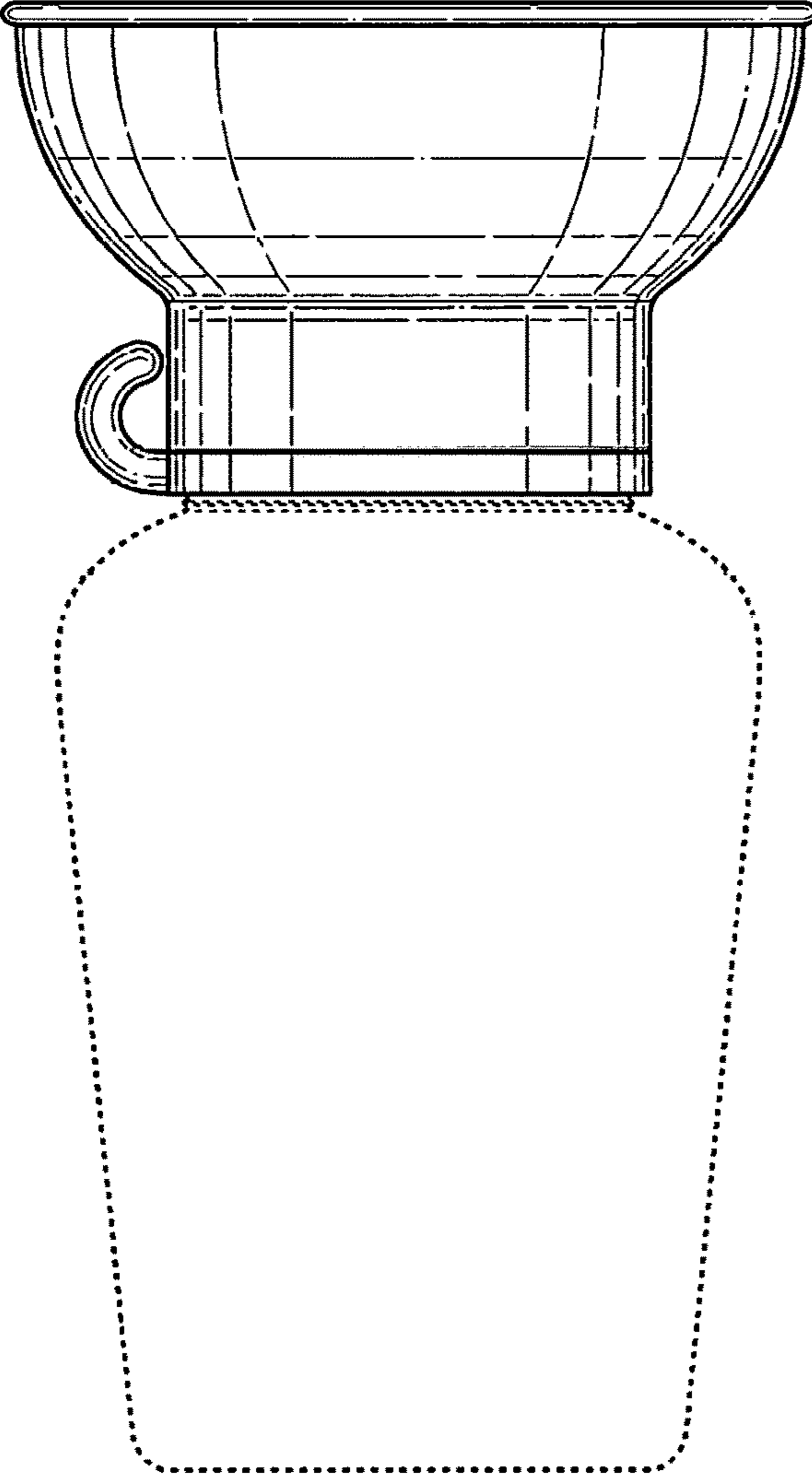


FIG. 2

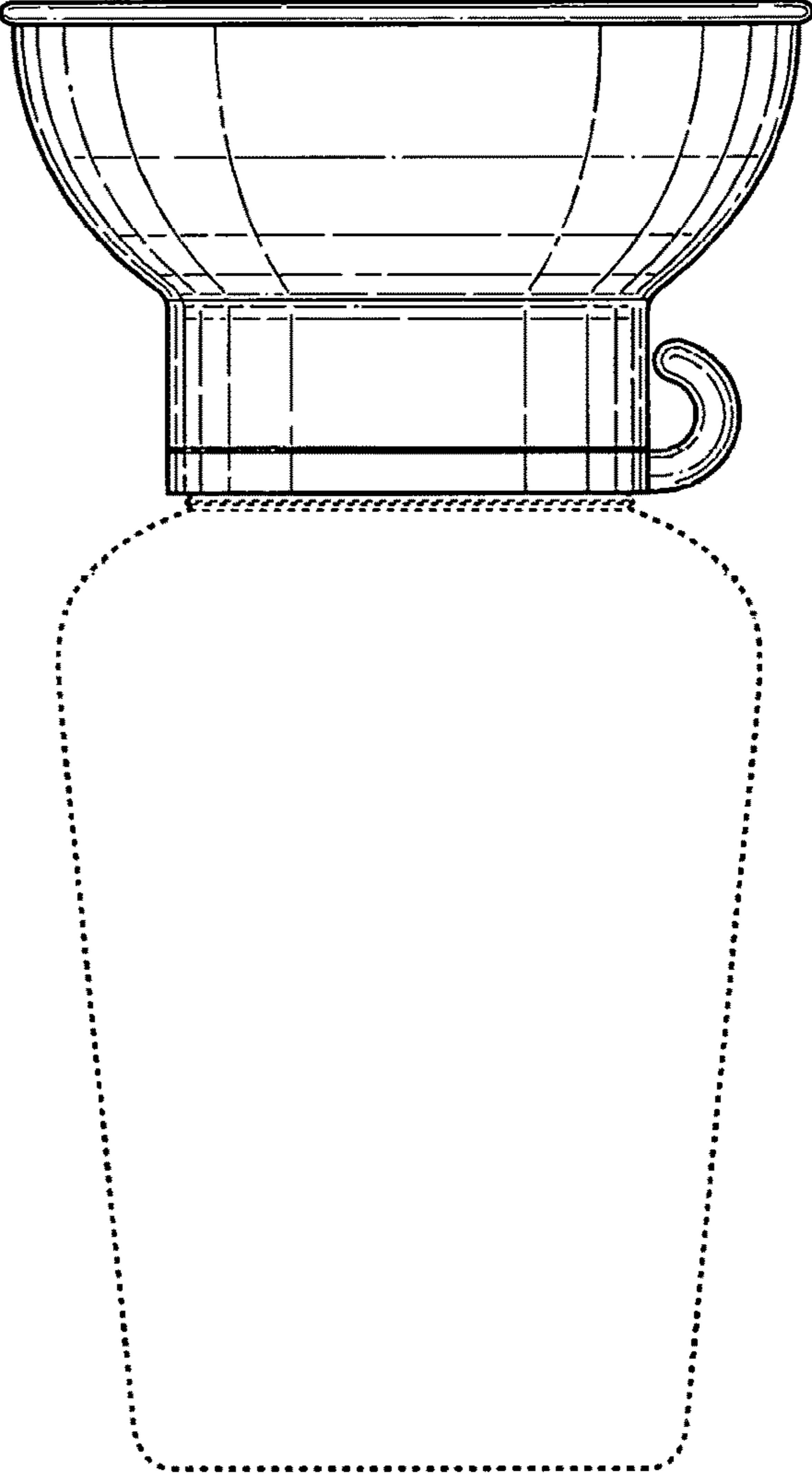


FIG. 3

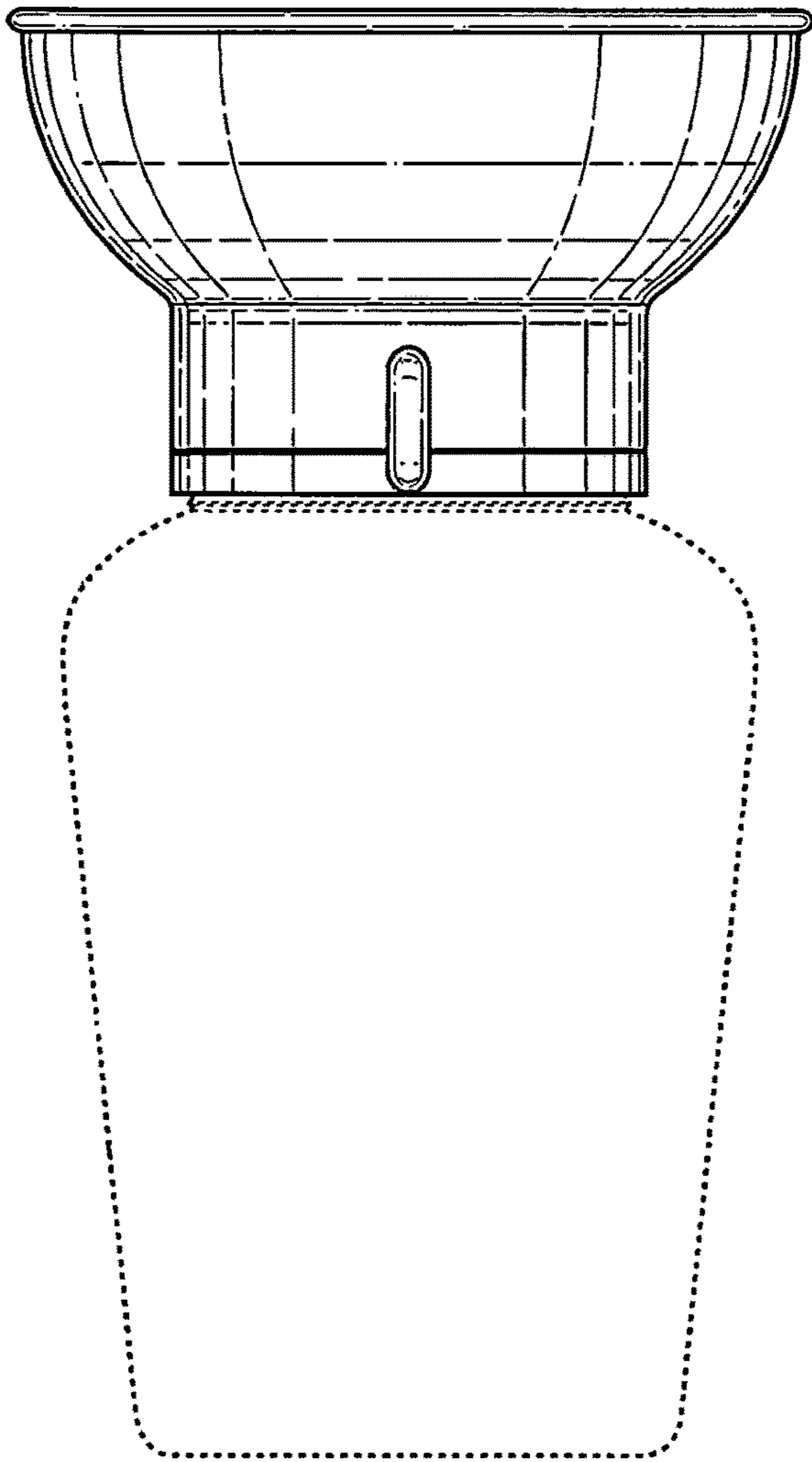


FIG. 4

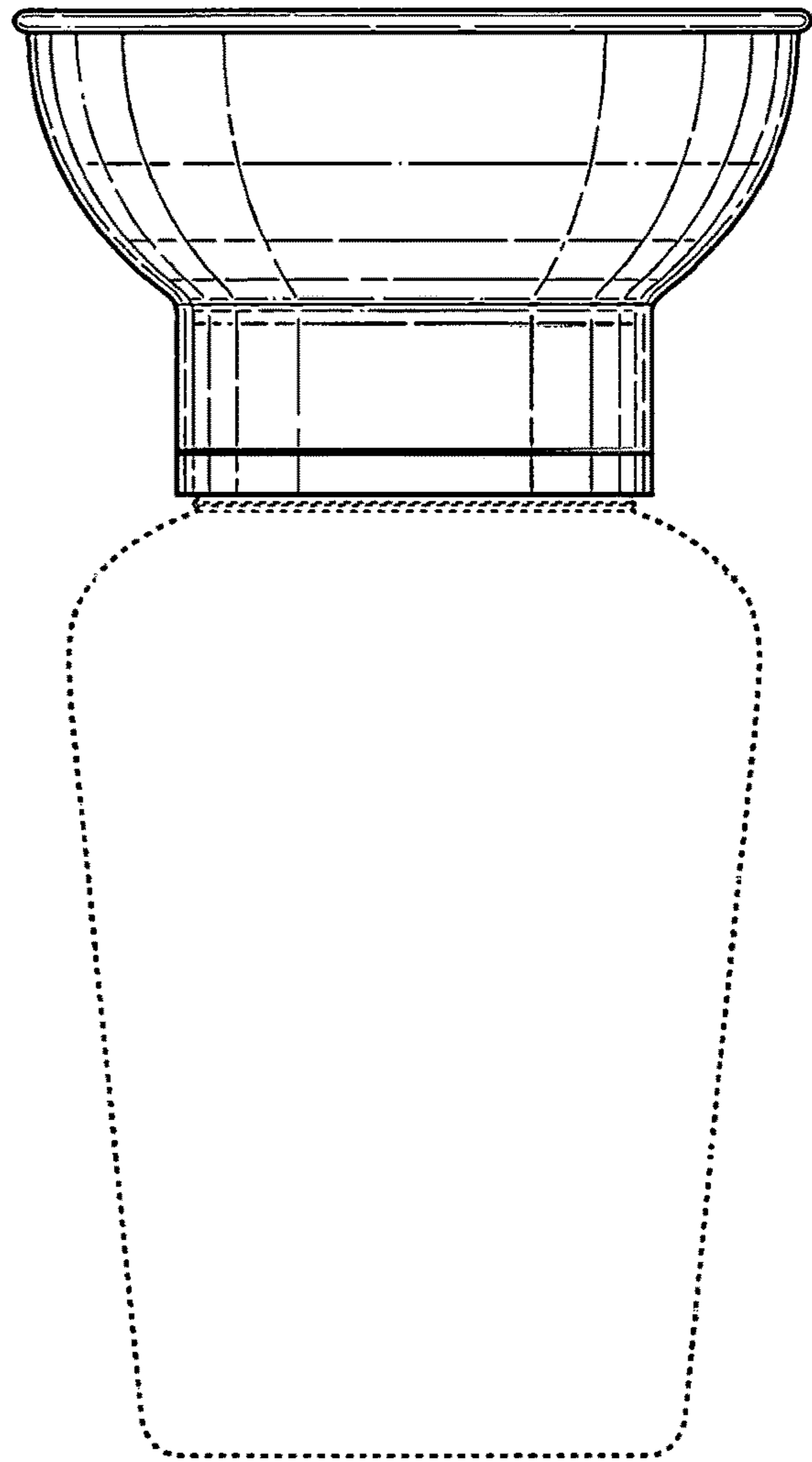


FIG. 5

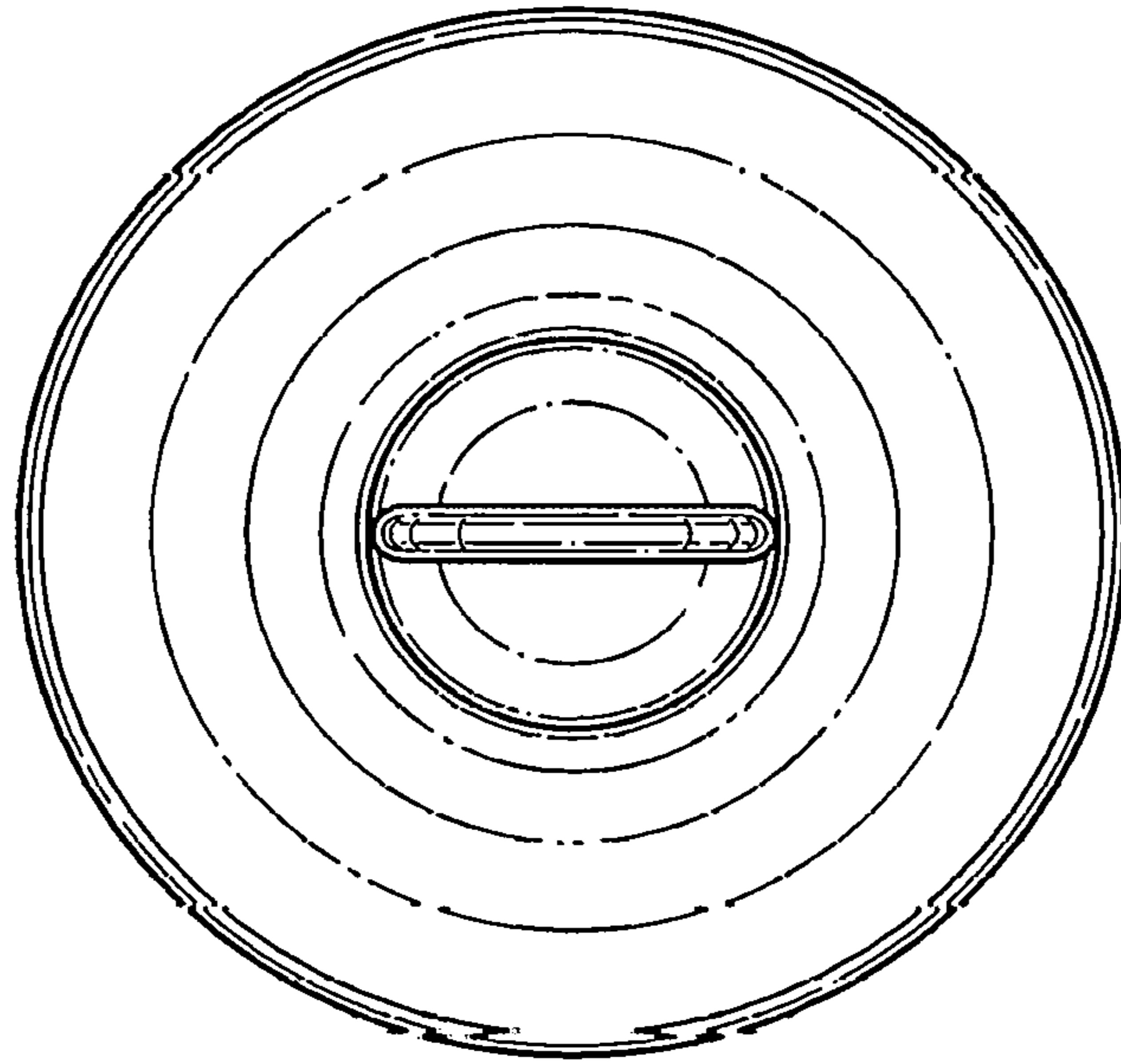


FIG. 6

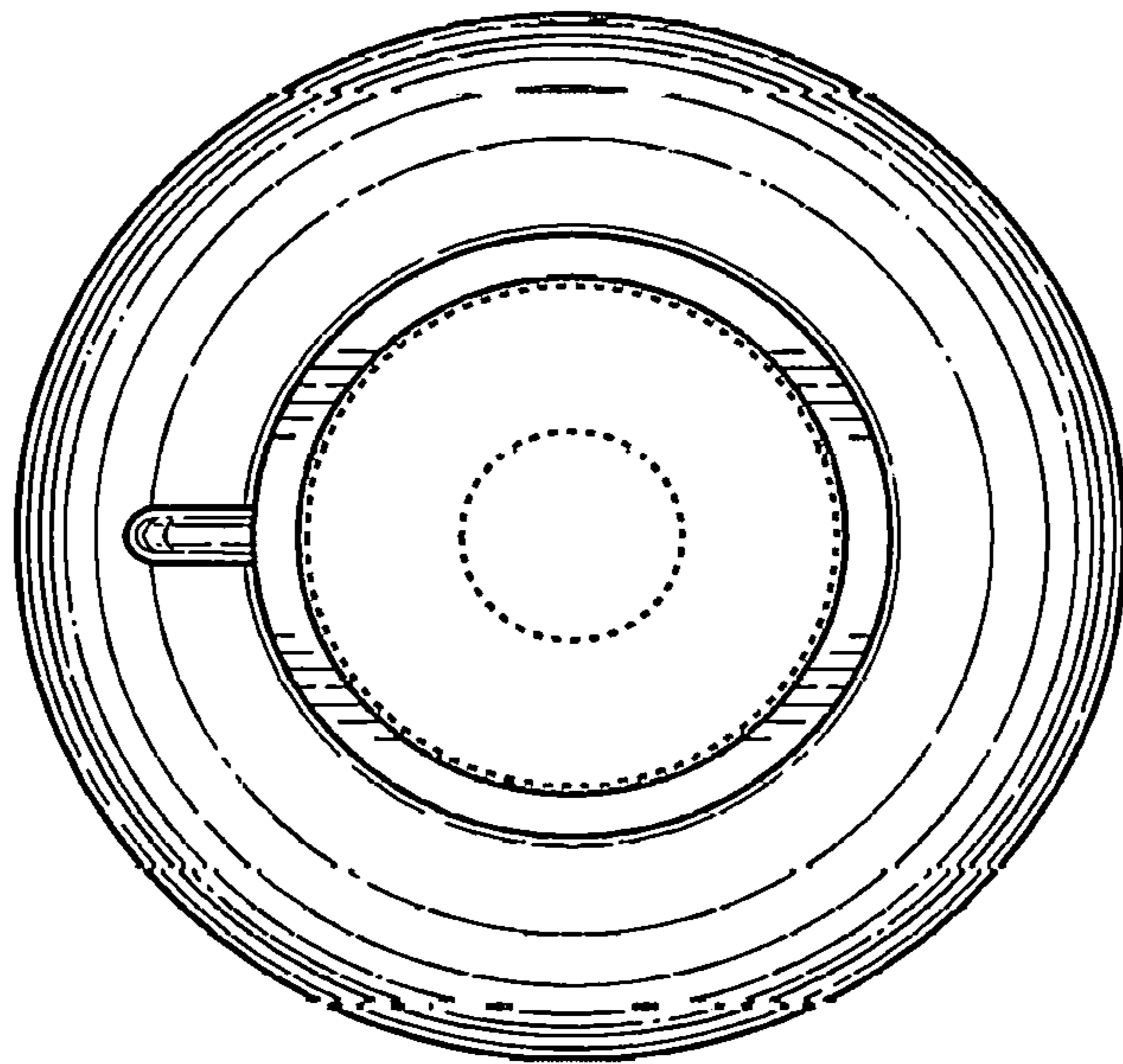


FIG. 7

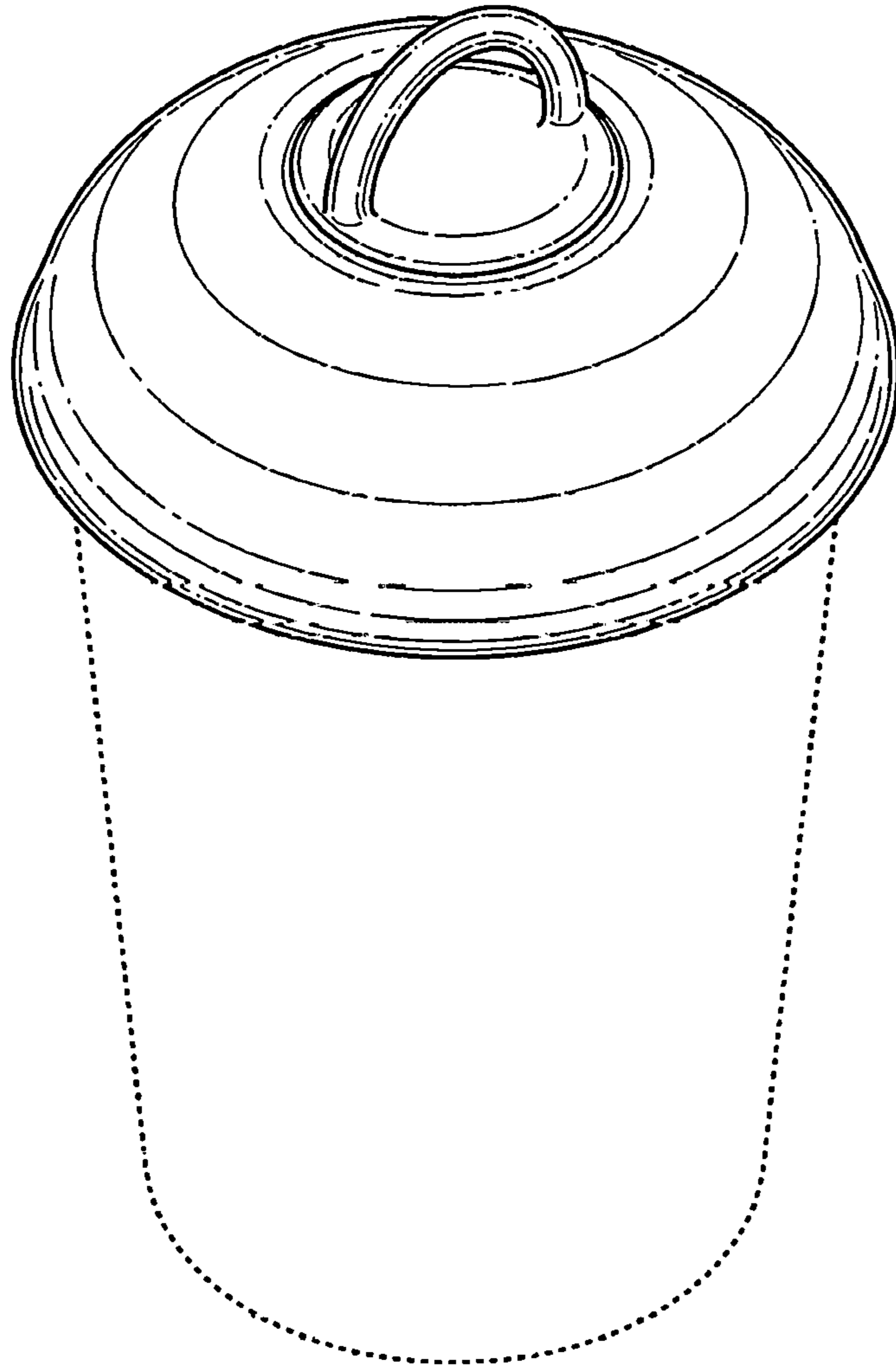


FIG. 8

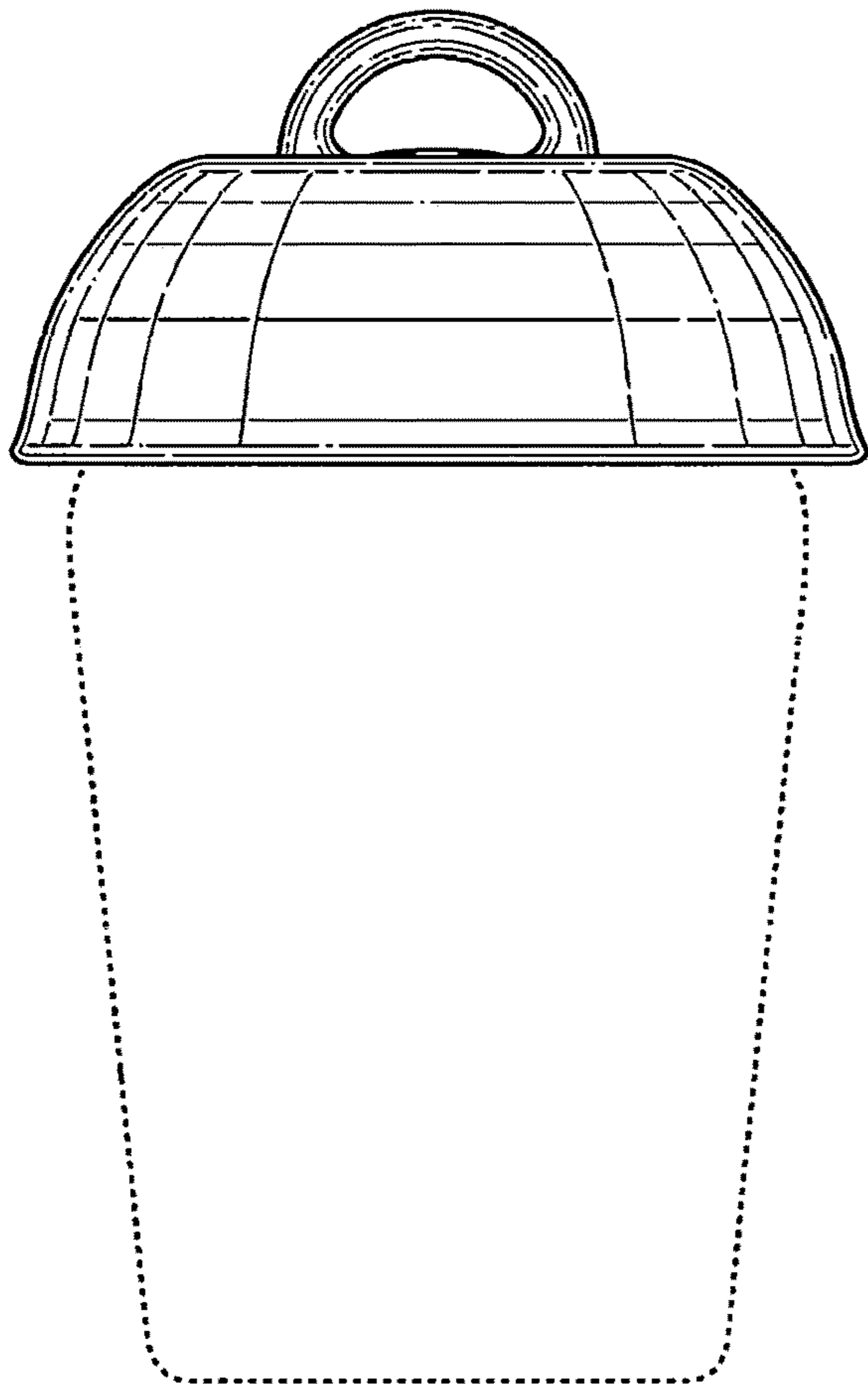


FIG. 9

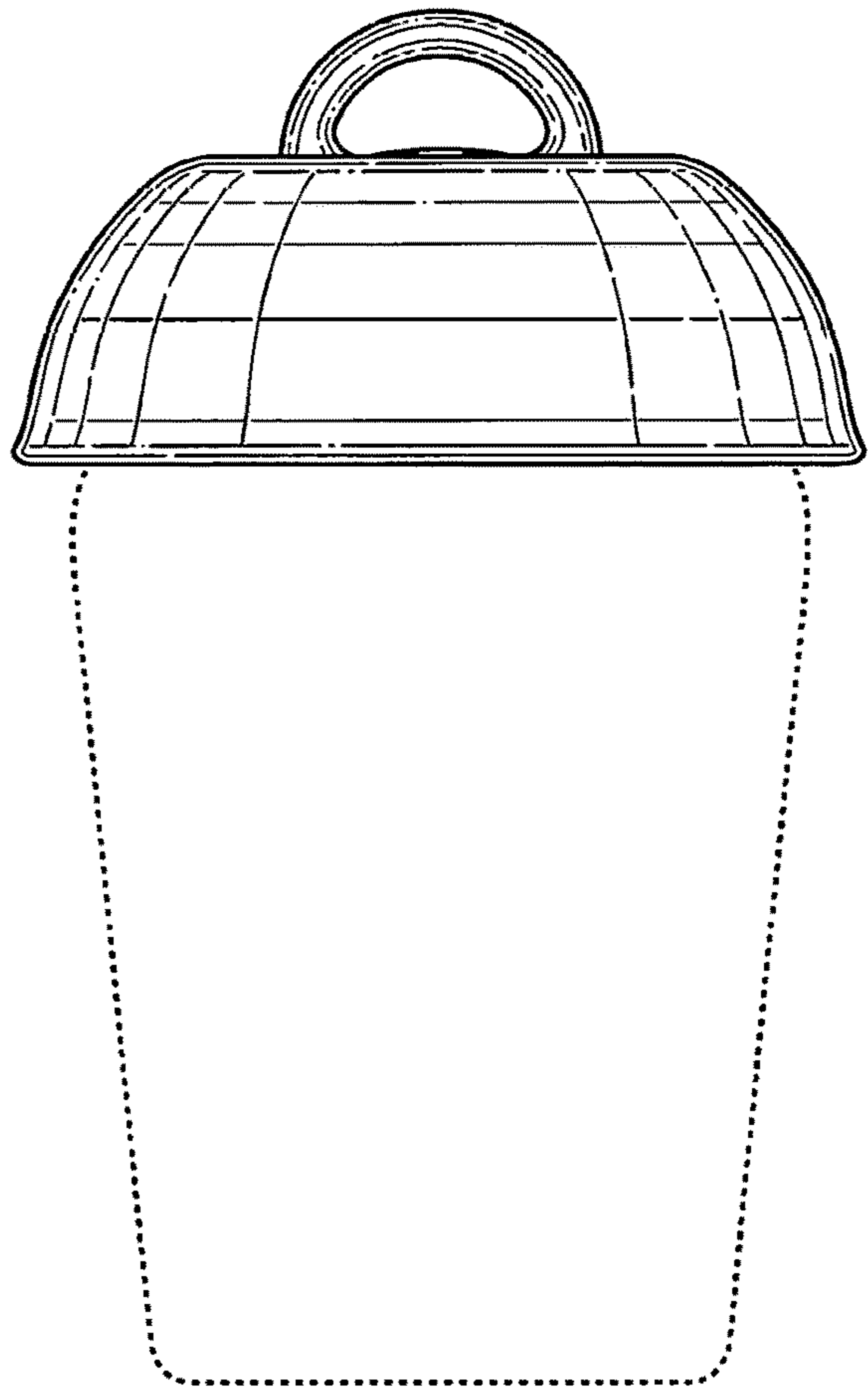


FIG. 10

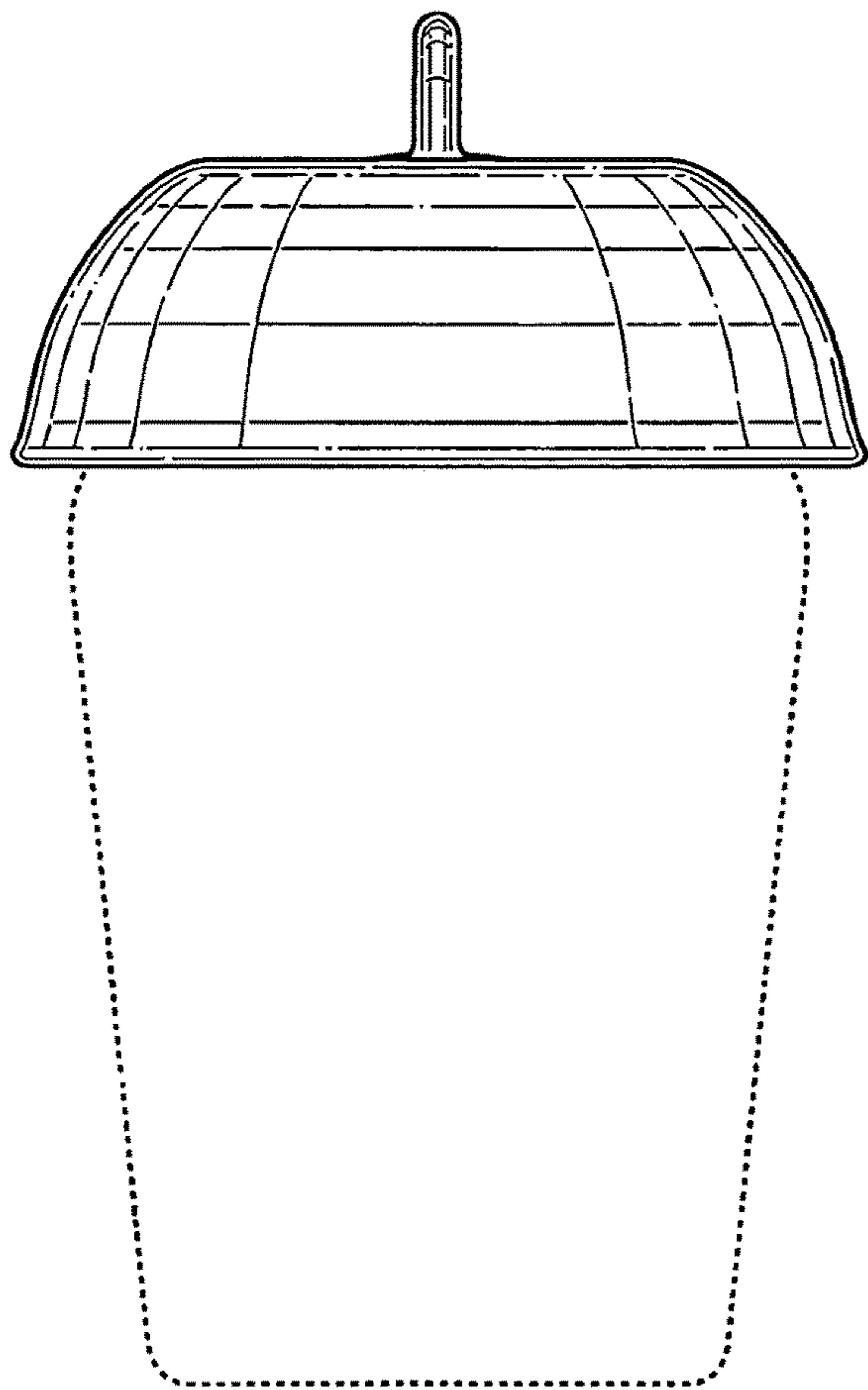


FIG. 11

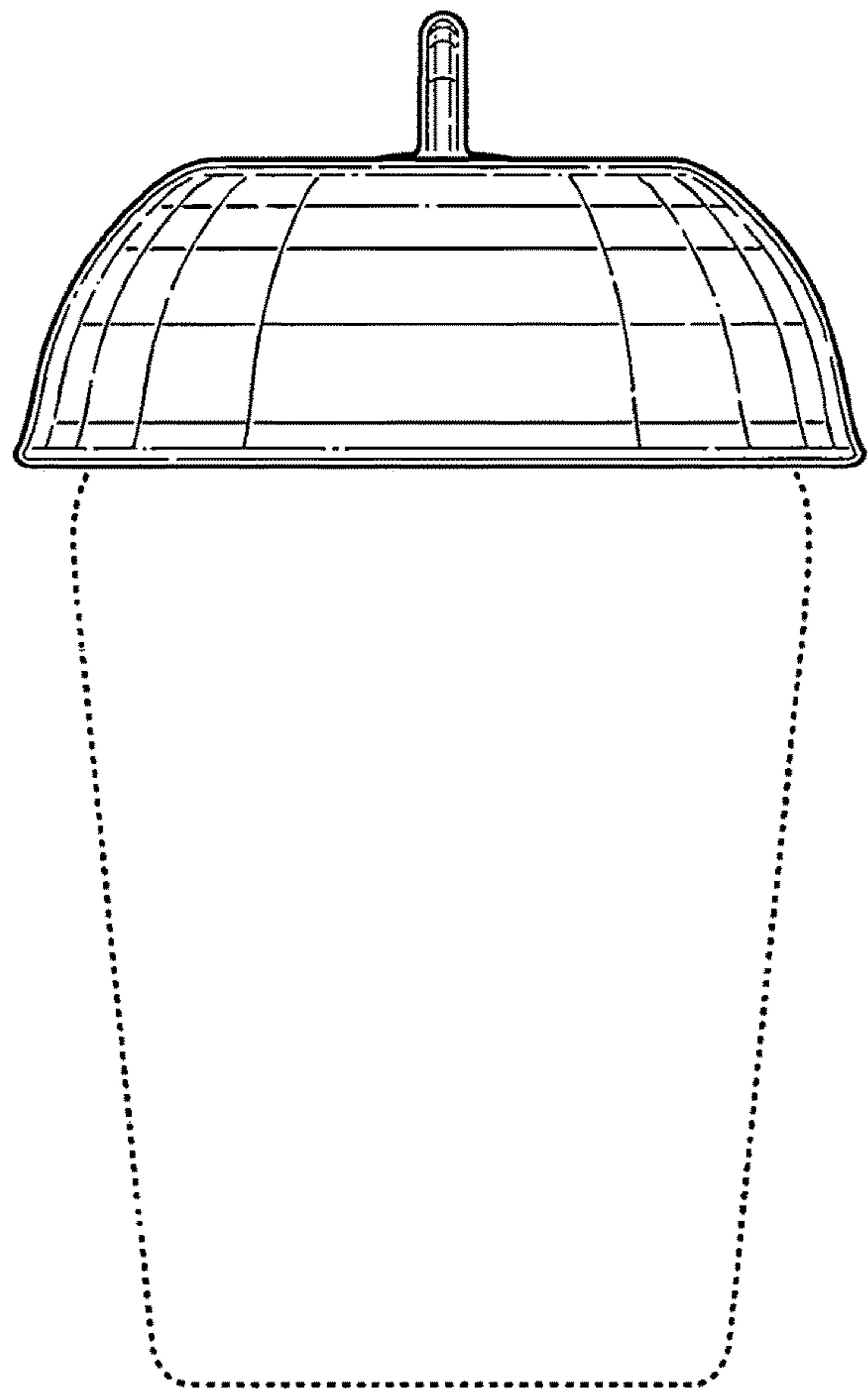


FIG. 12