



US00D964799S

(12) **United States Design Patent** (10) **Patent No.:** **US D964,799 S**
Breen (45) **Date of Patent:** **** Sep. 27, 2022**

(54) **LABEL FOR CYLINDRICAL CONTAINERS**

(71) Applicant: **Ortal Breen**, Potomac, MD (US)

(72) Inventor: **Ortal Breen**, Potomac, MD (US)

(**) Term: **15 Years**

(21) Appl. No.: **29/738,458**

(22) Filed: **Jun. 17, 2020**

(51) **LOC (13) Cl.** **07-09**

(52) **U.S. Cl.**

USPC **D7/387**; D7/624.2; D20/23

(58) **Field of Classification Search**

USPC D7/387, 624.1, 624.2; D9/550, 563,
D9/624.2, 702, 713; D20/10, 11, 22-28,
D20/40, 99

CPC A61J 1/18; A61J 9/00; A61J 9/0607; A61J
9/063; A61J 2205/40; A61J 2205/50;
A61J 9/0669

See application file for complete search history.

(56) **References Cited**

U.S. PATENT DOCUMENTS

- 4,901,462 A * 2/1990 Wrigley G09F 3/14
40/6
- 5,044,037 A * 9/1991 Brown A46B 15/0042
206/811
- 6,276,684 B1 * 8/2001 Hershkovits A63F 9/1288
273/156
- 6,343,968 B1 * 2/2002 Louie A47G 9/083
5/413 R
- 6,421,852 B1 * 7/2002 Shao A47G 9/083
5/413 R
- D540,125 S * 4/2007 Hicks D7/624.2
- D611,772 S * 3/2010 Silverstein D7/624.2
- 7,987,536 B1 * 8/2011 Habig A47G 9/086
5/413 R
- D651,080 S * 12/2011 Harper D9/435
- D679,479 S * 4/2013 Carrera D2/719
- D753,958 S * 4/2016 Essenberg D7/624.2

- 9,878,256 B2 * 1/2018 Jones A63H 3/003
- D917,952 S * 5/2021 Sahitau D20/23
- D923,391 S * 6/2021 Hagen D20/23
- D951,769 S * 5/2022 Johnson D20/23
- 2017/0321360 A1 * 11/2017 Schurr A47H 2/00

OTHER PUBLICATIONS

Perfect, posted at amazon.com, posted on Sep. 8, 2020, site visited Jul. 1, 2022. online, available from internet: https://www.amazon.com/Daycare-Multi-Colored-Panda-Shaped-Reusable-Silicone/product-reviews/B08D3KWXLZ/ref=cm_cr_arp_d_paging_btm_next_2?ie=UTF8&reviewerType=all_reviews&pageNumber=2 (Year: 2020).*

* cited by examiner

Primary Examiner — Catherine Ho

(74) *Attorney, Agent, or Firm* — Andrew C. Aitken

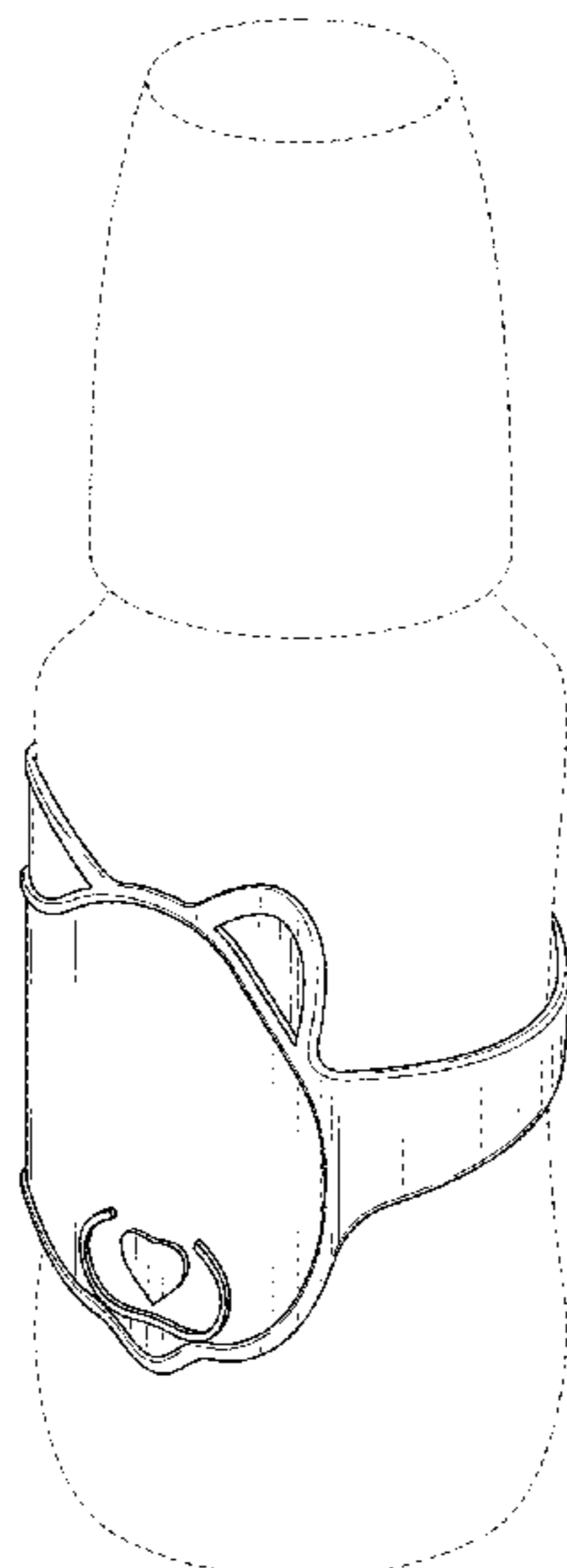
(57) **CLAIM**

The ornamental design for the label for cylindrical containers, as shown and described.

DESCRIPTION

FIG. 1 is a perspective view of a label for cylindrical containers showing my new design; FIG. 2 is a front elevational view thereof; FIG. 3 is a rear elevational view thereof; FIG. 4 is a left side view in elevation thereof; FIG. 5 is a right side view in elevation thereof; FIG. 6 is a top plan view thereof; and, FIG. 7 is a bottom plan view thereof. The broken lines illustrate environment and form no part of the claimed design.

1 Claim, 6 Drawing Sheets



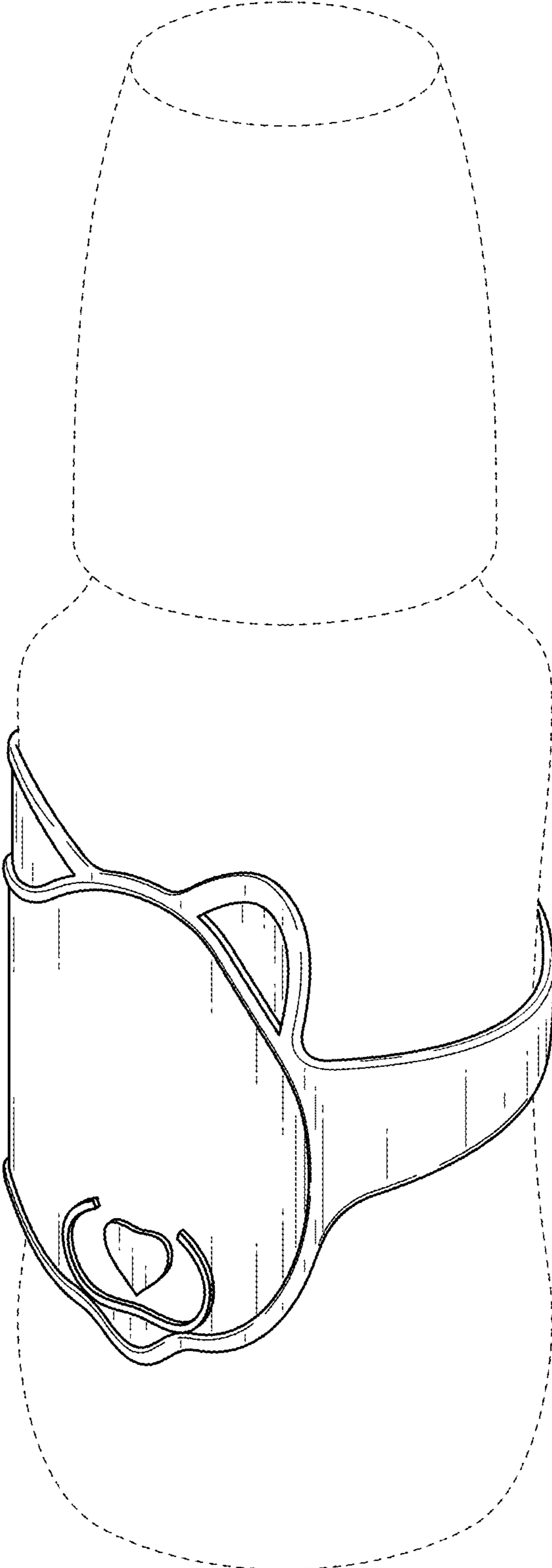


FIG. 1

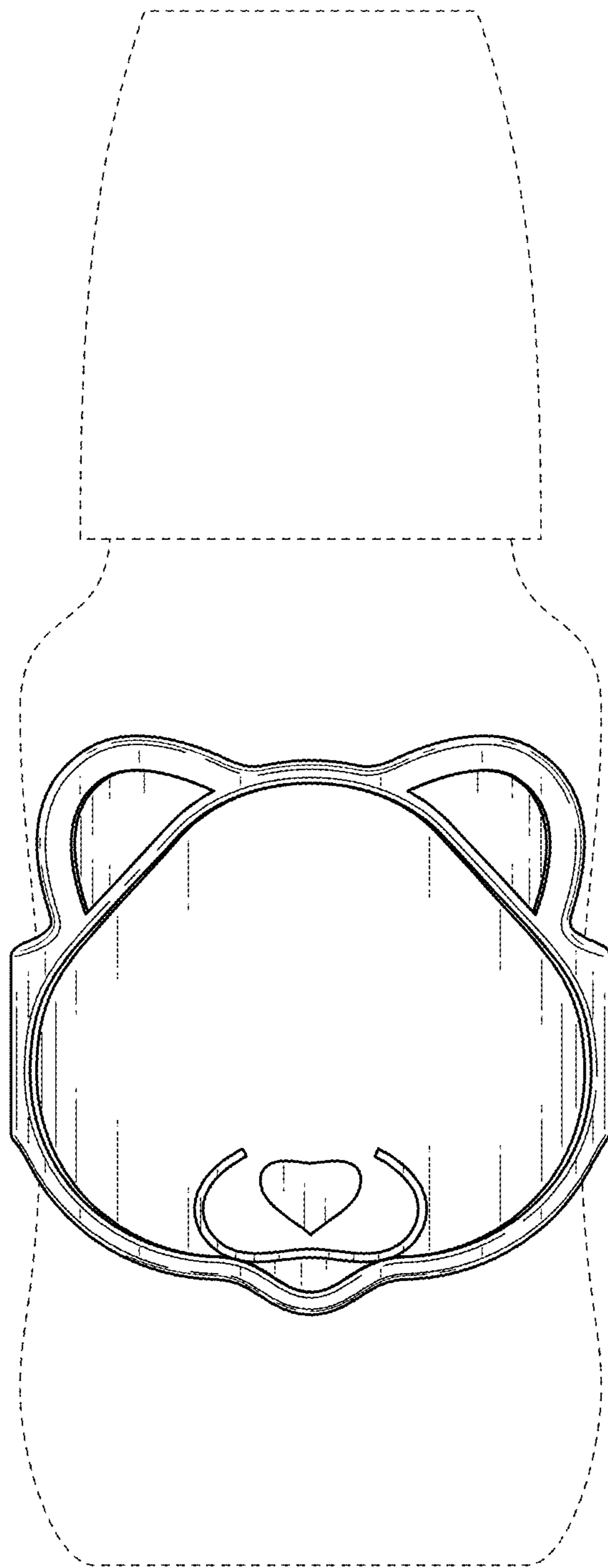


FIG. 2

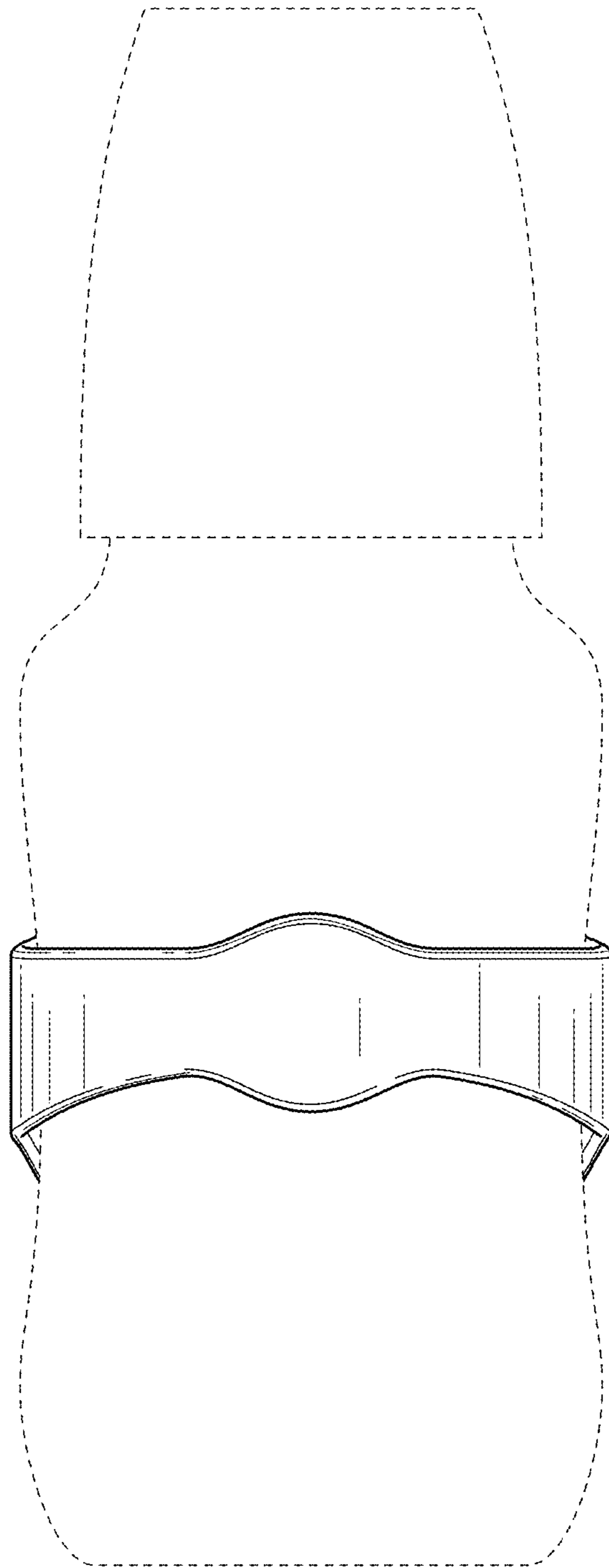


FIG. 3

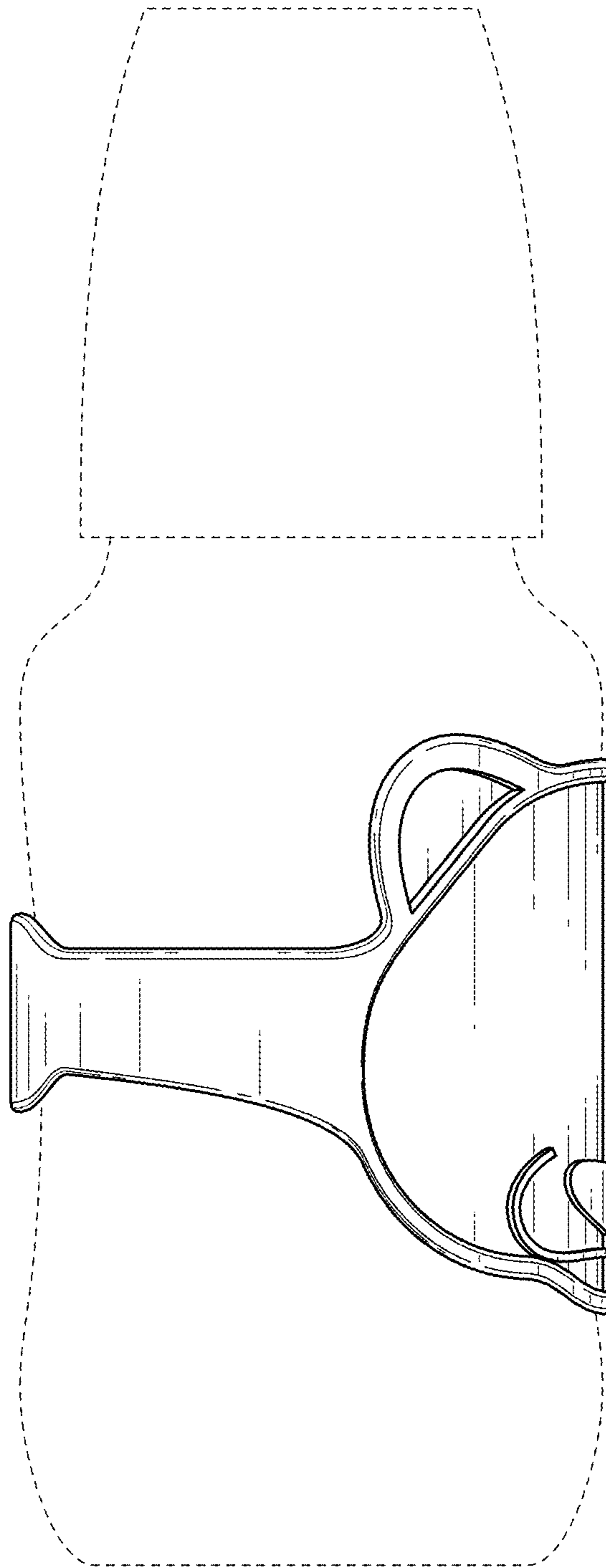


FIG. 4

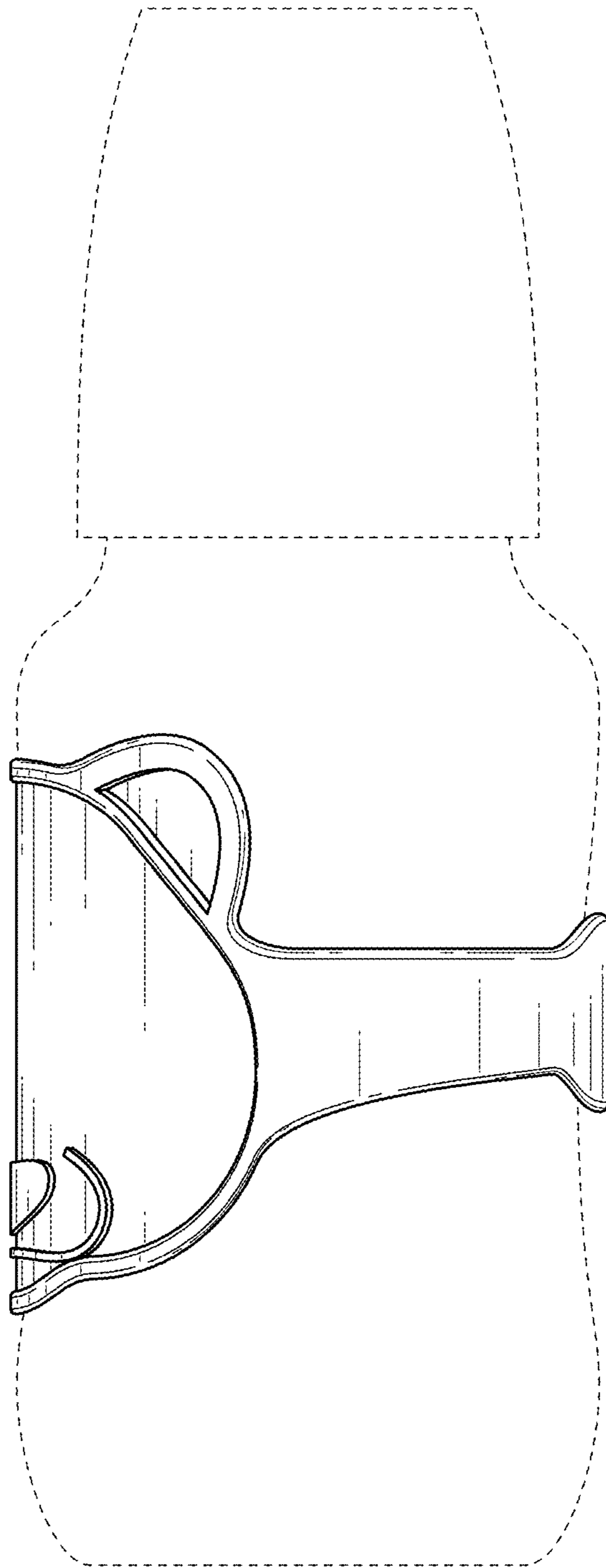


FIG. 5

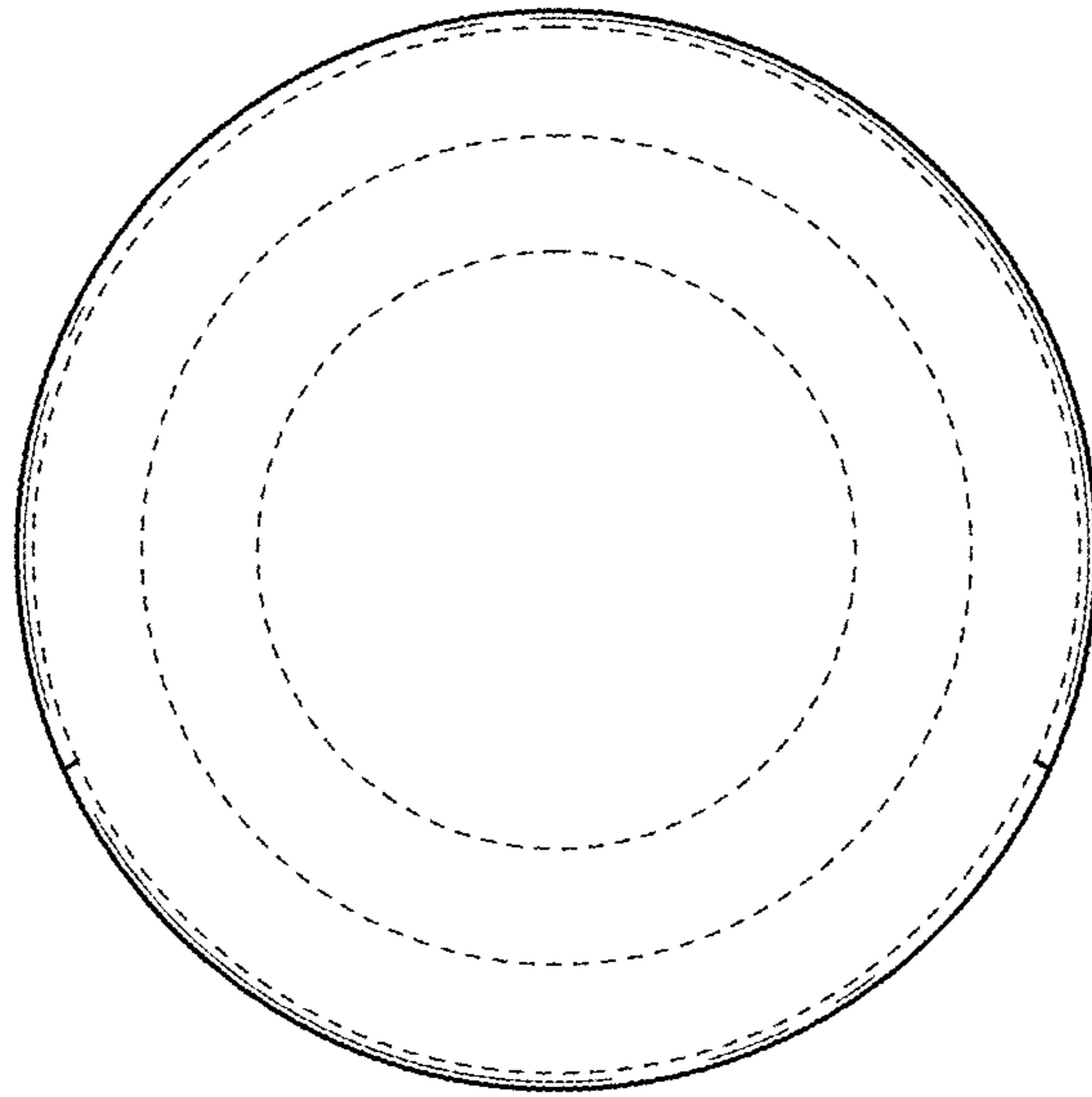


FIG. 6

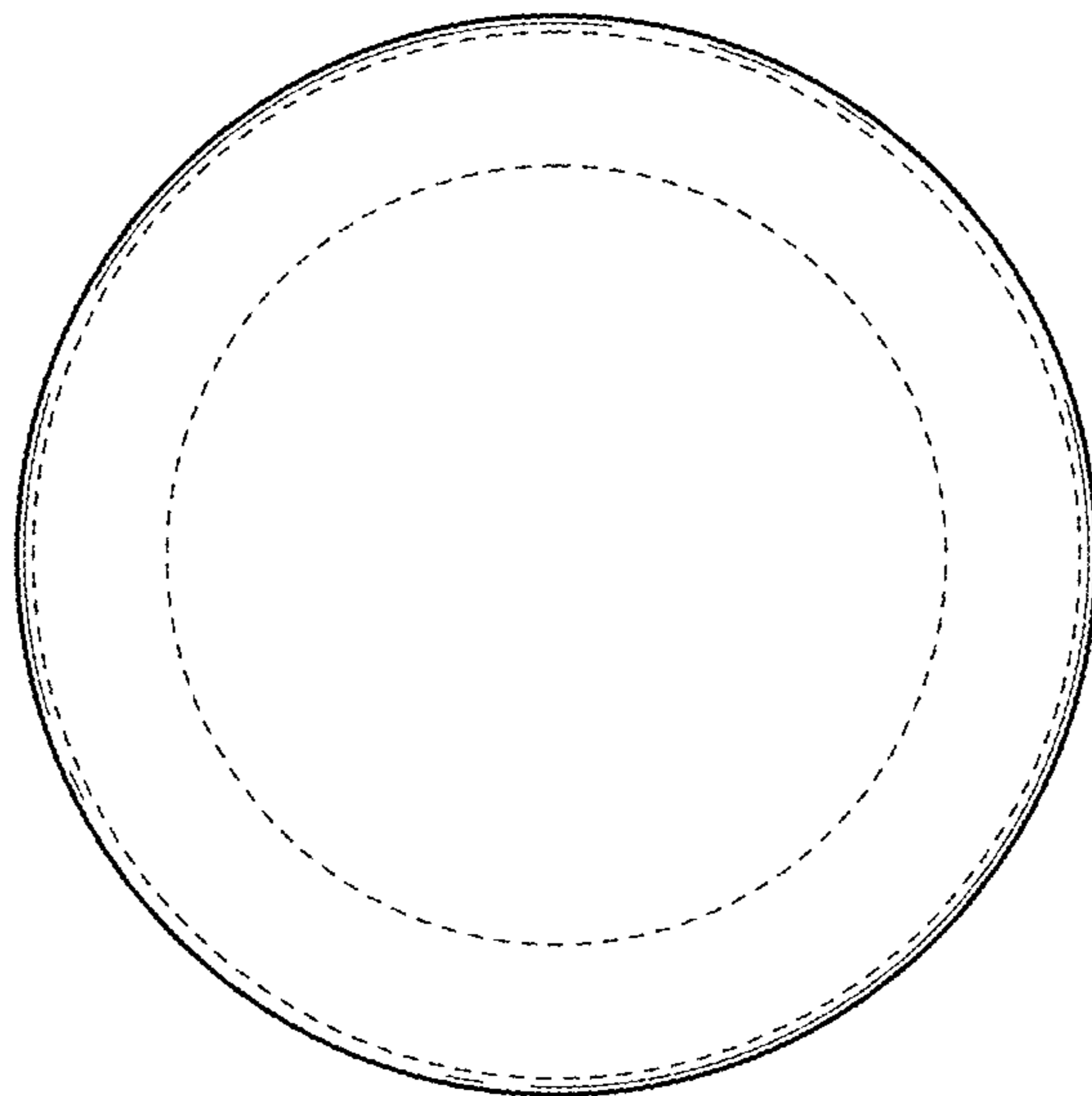


FIG. 7