



US00D964797S

(12) **United States Design Patent**
Upston et al.

(10) **Patent No.:** **US D964,797 S**
(45) **Date of Patent:** **** Sep. 27, 2022**

- (54) **COOKING APPLIANCE**
- (71) Applicant: **Breville Pty Limited**, Alexandria (AU)
- (72) Inventors: **Gregory Upston**, Alexandria (AU);
Richard Hoare, Alexandria (AU);
David Davenport, Alexandria (AU)
- (73) Assignee: **BREVILLE PTY LIMITED**,
Alexandria (AU)
- (**) Term: **15 Years**
- (21) Appl. No.: **29/772,252**
- (22) Filed: **Mar. 1, 2021**
- (30) **Foreign Application Priority Data**

- Oct. 29, 2020 (AU) 202015886
- (51) **LOC (13) Cl.** **07-02**
- (52) **U.S. Cl.**
USPC **D7/362; D7/354**
- (58) **Field of Classification Search**
USPC D7/323, 354-362, 368, 402; D13/107
CPC A21B 7/005; A23L 1/01; A23L 1/0107;
A23L 1/0114; A47J 27/00; A47J 27/08;
A47J 27/09; A47J 27/10; A47J 27/092;
A47J 27/21; A47J 36/025; A47J 36/06;
A47J 36/08; A47J 36/10; A47J 36/12;
A47J 36/18; A47J 36/20; A47J 36/22;
A47J 36/165; A47J 37/00; A47J 37/12;
A47J 37/129; A47J 37/1204; A47J
37/1209; A47J 37/1214; A47J 37/1219;
A47J 37/1266; A47J 37/1285; A47J
37/1295; B65B 7/06; B65B 65/00; G07F
17/0064; G07F 17/0078; G07F 17/0085;
F24H 1/101; H05B 6/02; H05B 6/06;
H05B 6/12
See application file for complete search history.

- (56) **References Cited**
U.S. PATENT DOCUMENTS
D748,052 S * 1/2016 Behar D13/107
D850,844 S * 6/2019 Yang D7/323

- D853,776 S * 7/2019 Xu D7/354
- D853,777 S * 7/2019 Van Den Nieuwenhuizen
D7/354
- D862,154 S * 10/2019 Van Den Nieuwenhuizen
D7/362
- D914,435 S * 3/2021 Upston D7/354
- 2015/0082996 A1 * 3/2015 Wu A21B 7/005
99/342

(Continued)

OTHER PUBLICATIONS

Bronsenkitchen Sous Vide Cooker. Date First Available on Amazon.com Aug. 10, 2020. <https://www.amazon.com/dp/B08FHS5LDC/ref> (Year: 2020).*

Primary Examiner — Ricky Pham

(74) *Attorney, Agent, or Firm* — Moser Taboada

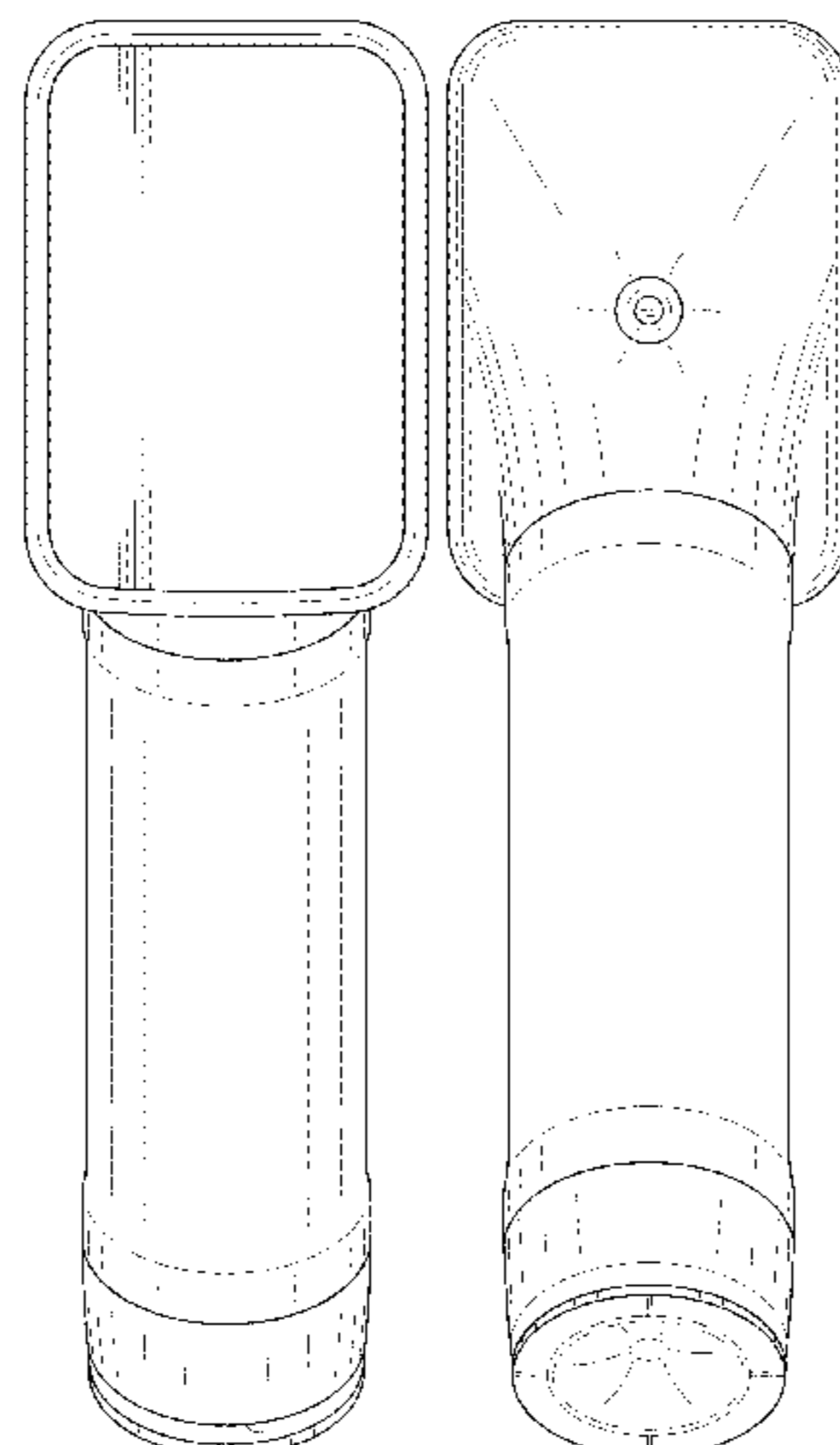
(57) **CLAIM**

The ornamental design for a cooking appliance, as shown and described.

DESCRIPTION

FIG. 1 is a front perspective view embodying the new design of a cooking appliance.
 FIG. 2 is a rear perspective view of the design shown in FIG. 1.
 FIG. 3 is a right side view of the design shown in FIG. 1.
 FIG. 4 is a front view of the design shown in FIG. 1.
 FIG. 5 is a left side of the design shown in FIG. 1.
 FIG. 6 is a rear view of the design shown in FIG. 1.
 FIG. 7 is a top view of the design shown in FIG. 1.
 FIG. 8 is a bottom view of the design shown in FIG. 1.
 FIG. 9 is a front top perspective view of the design shown in FIG. 1.
 FIG. 10 is a bottom rear perspective view of the design shown in FIG. 1; and,
 FIG. 11 is a bottom front perspective view of the design shown in FIG. 1.

1 Claim, 11 Drawing Sheets



(56)

References Cited

U.S. PATENT DOCUMENTS

2016/0022085 A1* 1/2016 Wu A47J 27/10
99/330
2016/0209077 A1* 7/2016 Wu F24H 1/101
2017/0245673 A1* 8/2017 Peng A47J 27/10
2018/0344069 A1* 12/2018 Chan A47J 27/21016
2020/0297143 A1* 9/2020 Upston A47J 36/165
2020/0323381 A1* 10/2020 Messler A47J 27/10

* cited by examiner

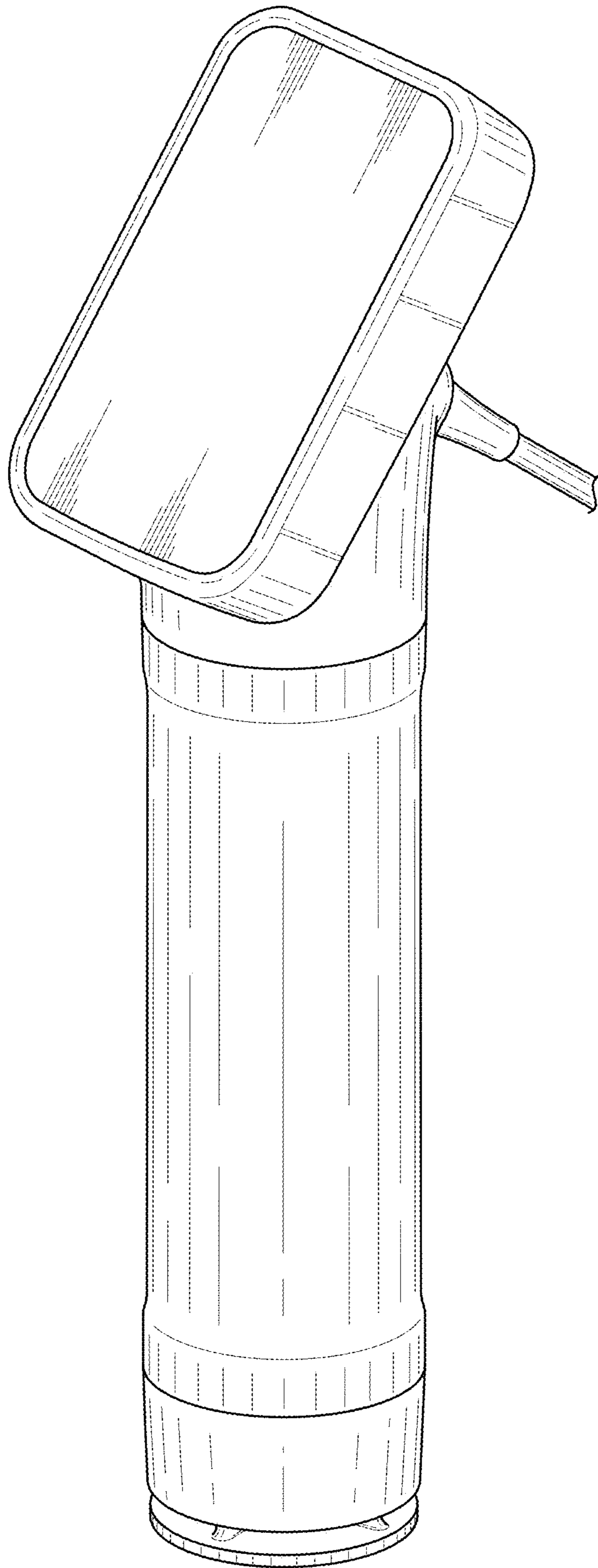


FIG. 1

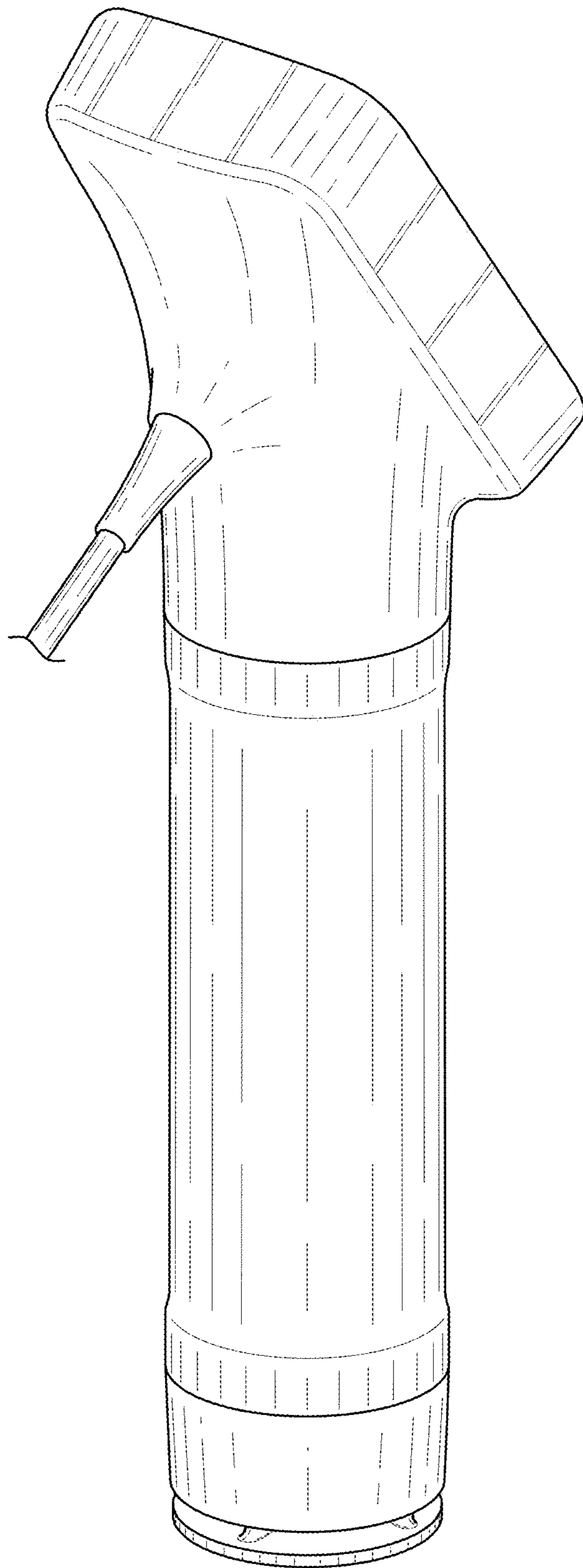


FIG. 2

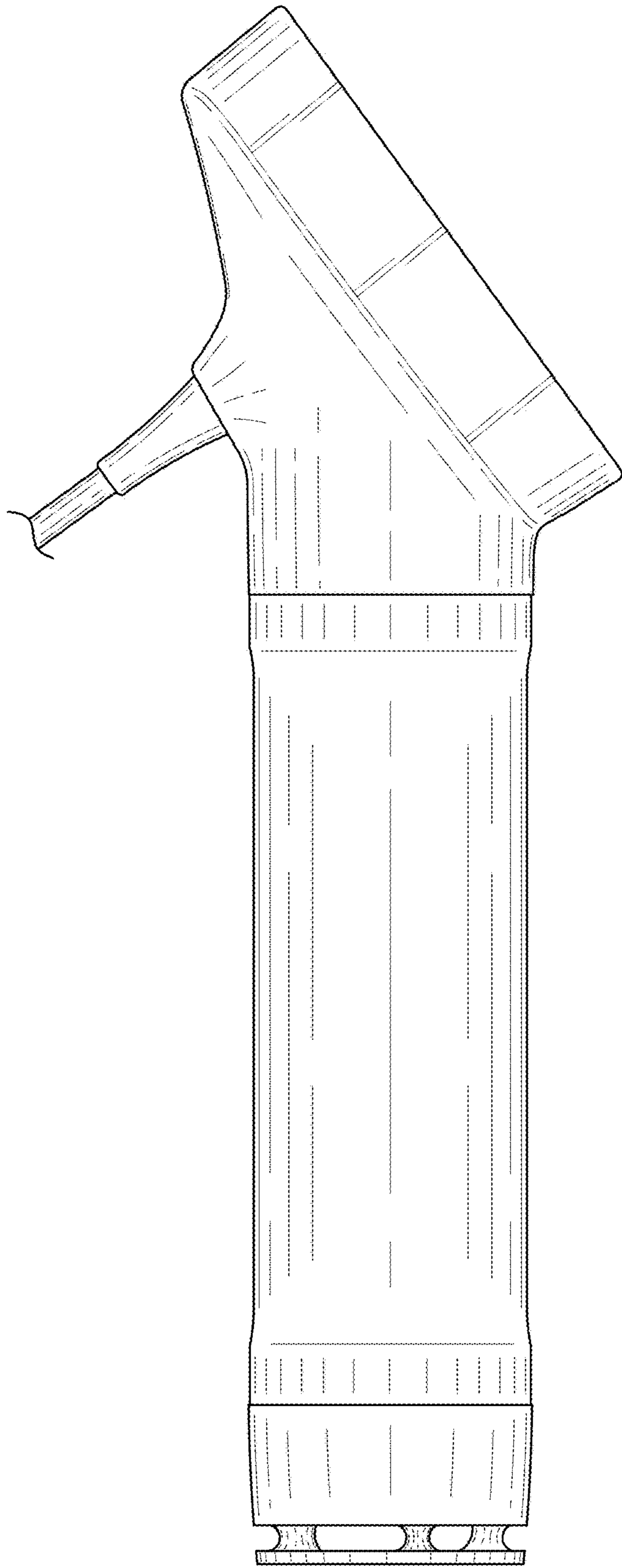


FIG. 3

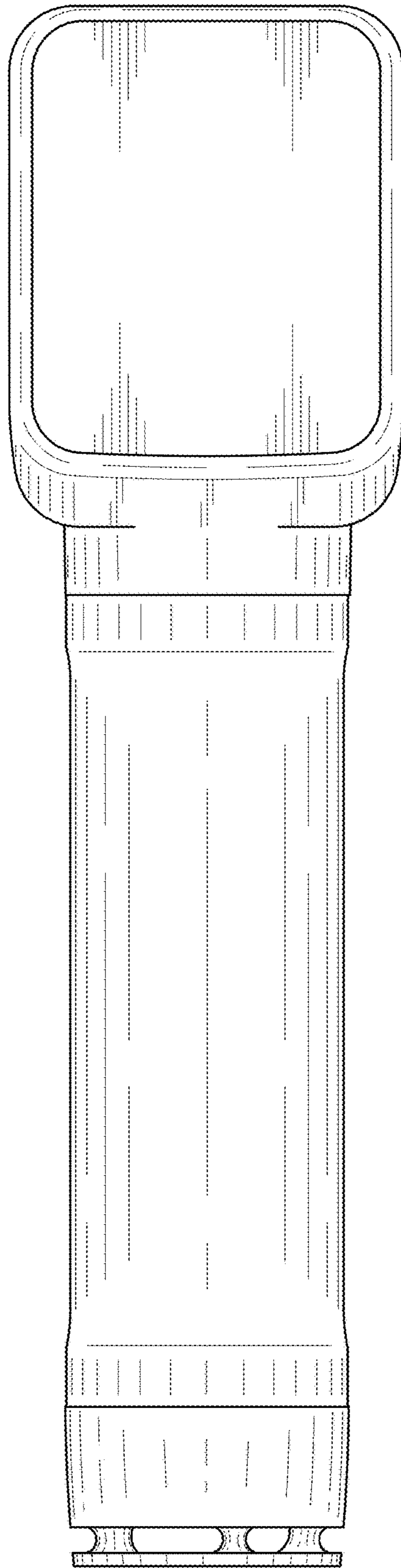


FIG. 4

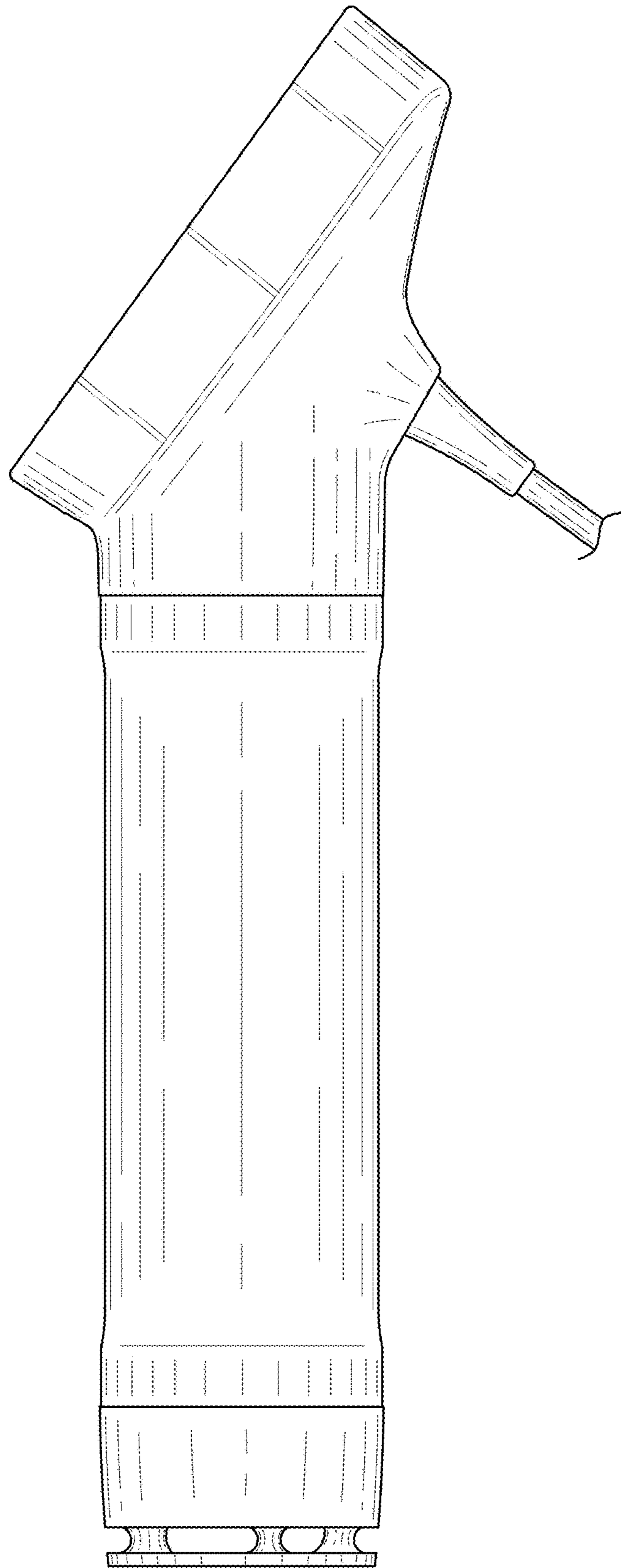


FIG. 5

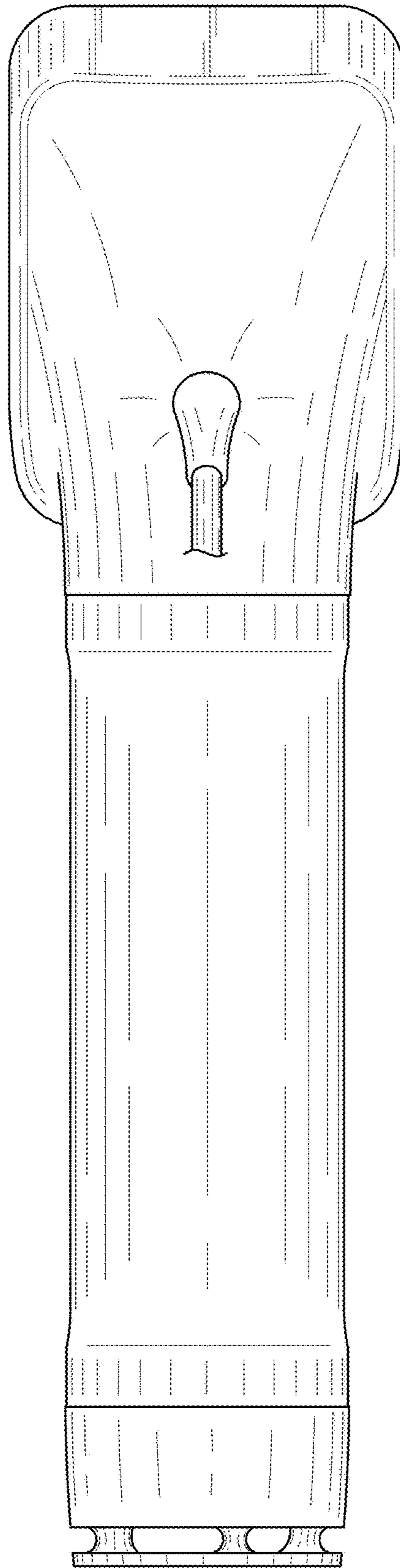


FIG. 6

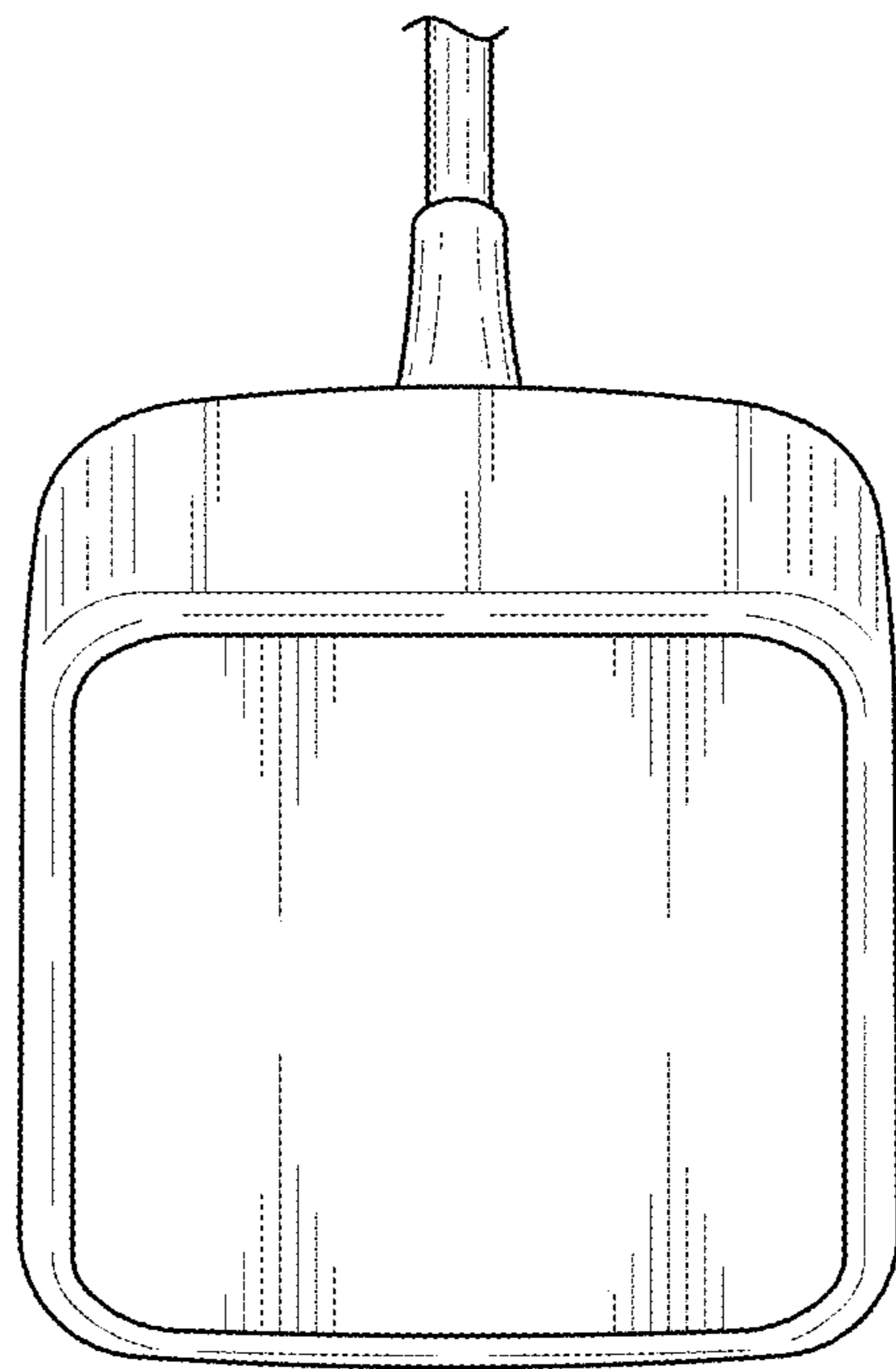


FIG. 7

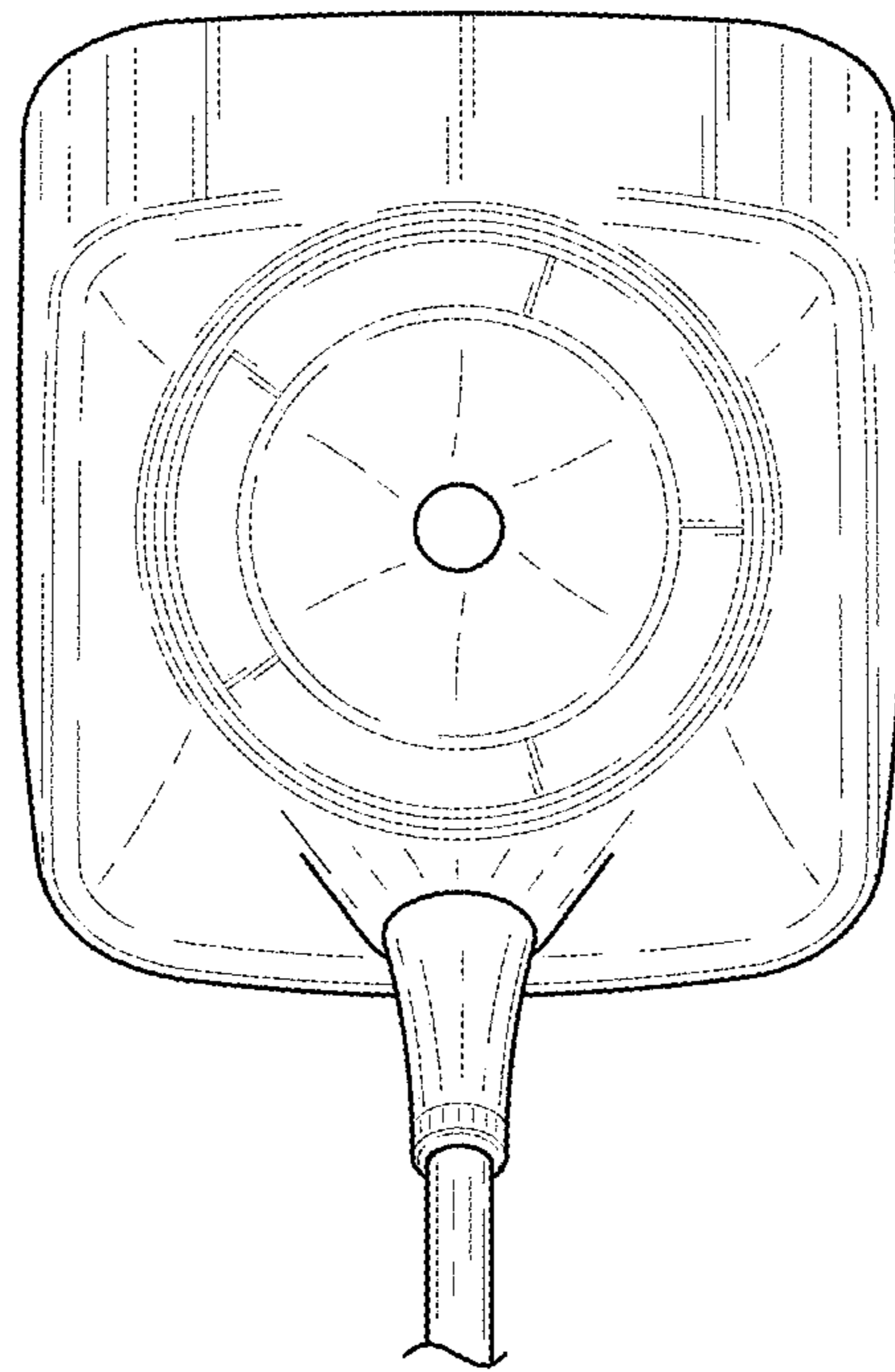


FIG. 8

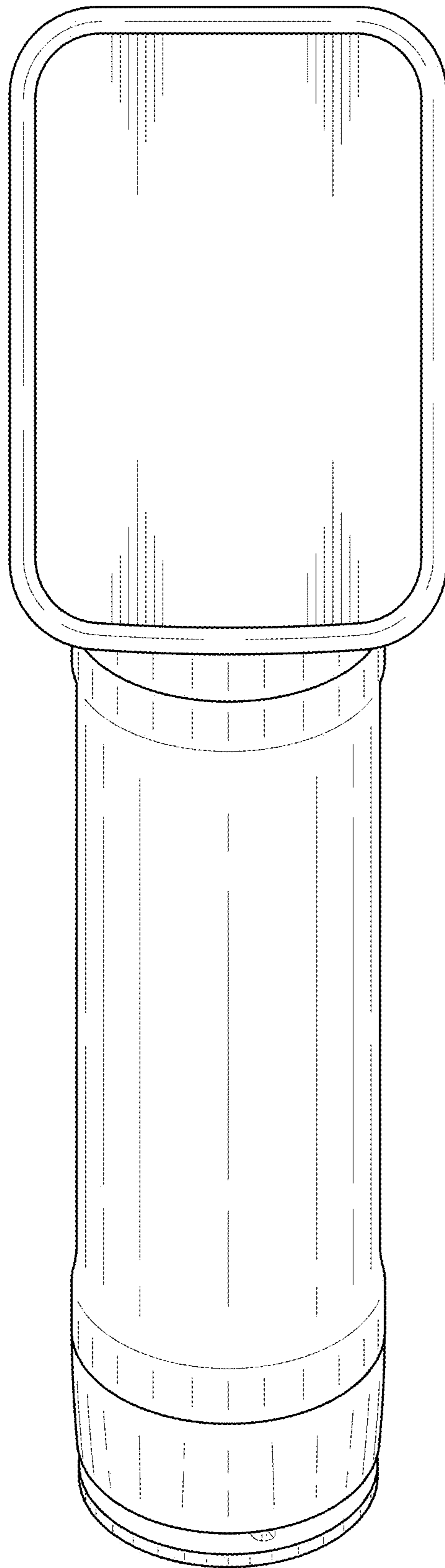


FIG. 9

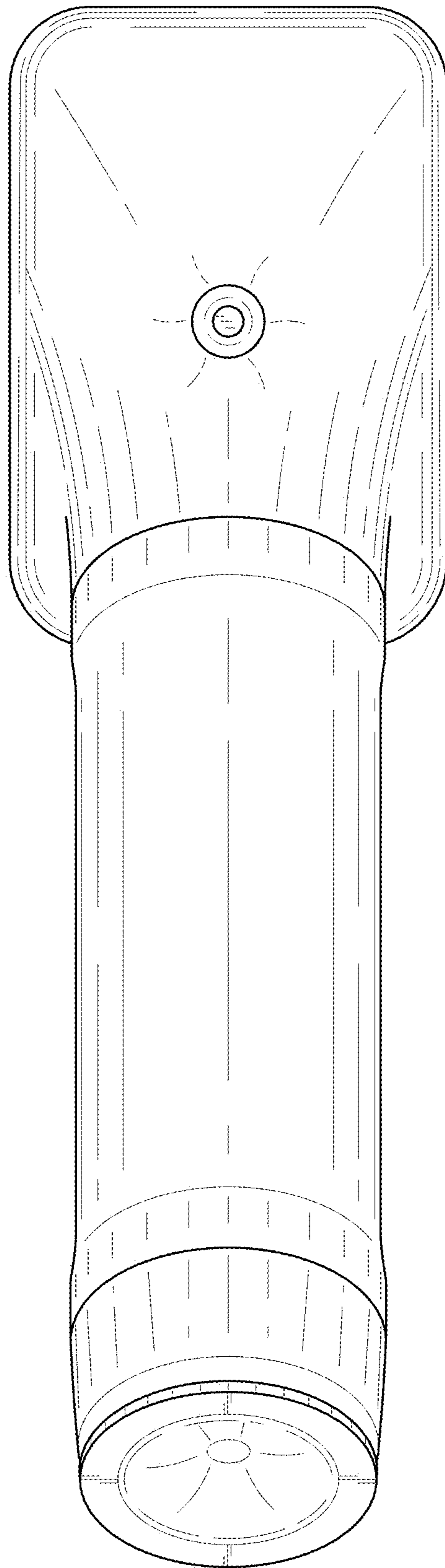


FIG. 10

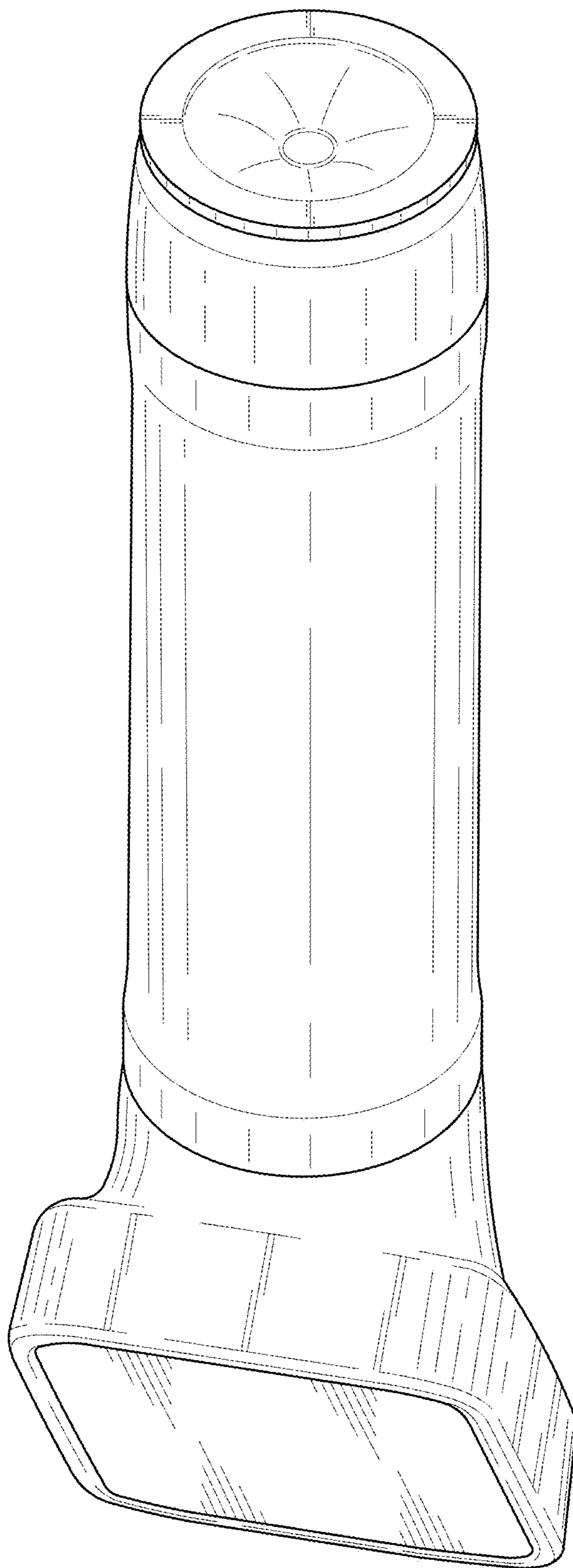


FIG. 11